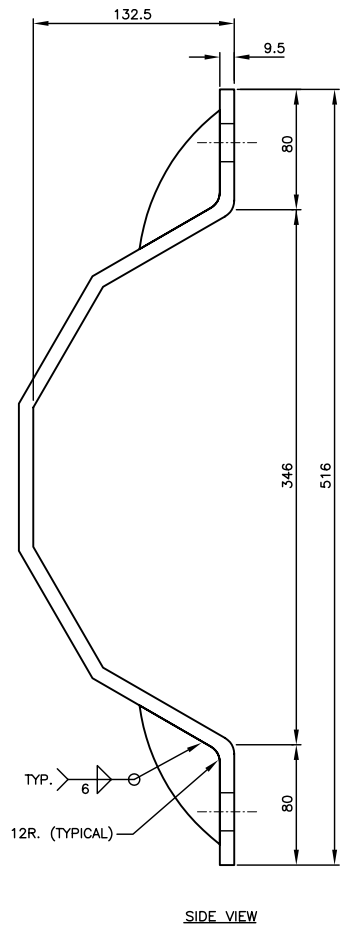
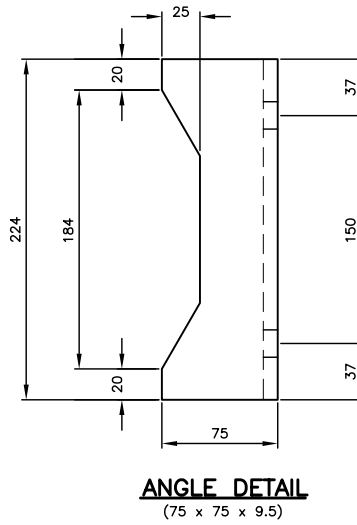


**BACK CLAMP**

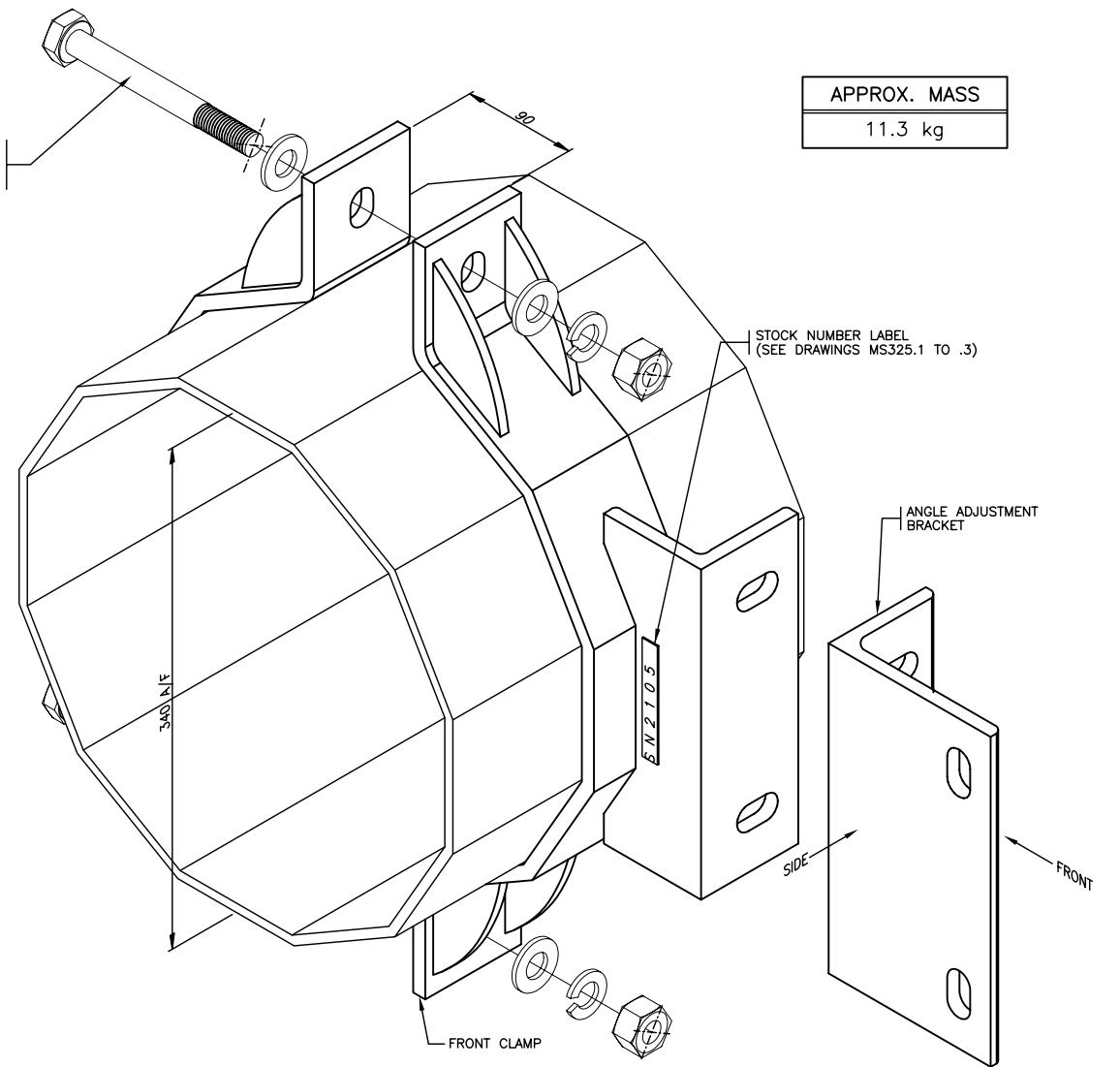


**SIDE VIEW**

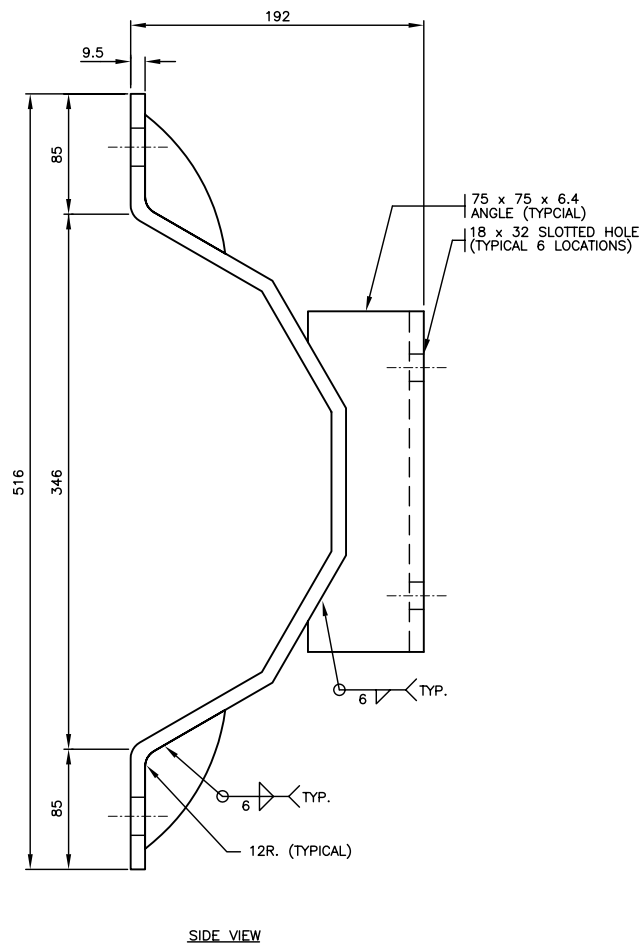


**ANGLE DETAIL**  
(75 x 75 x 9.5)

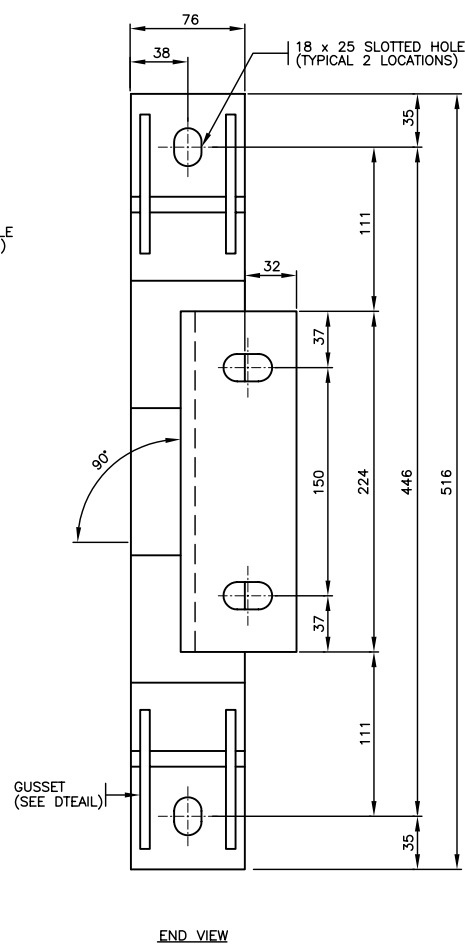
2 - 5/8"φ x 5 1/2" LONG BOLT, NUT, 2 FLATWASHERS AND LOCKWASHER (SUPPLIED AND INTALLED ON CLAMP)



**TYPE H SIGN MOUNTING CLAMPS**  
(SN2105)

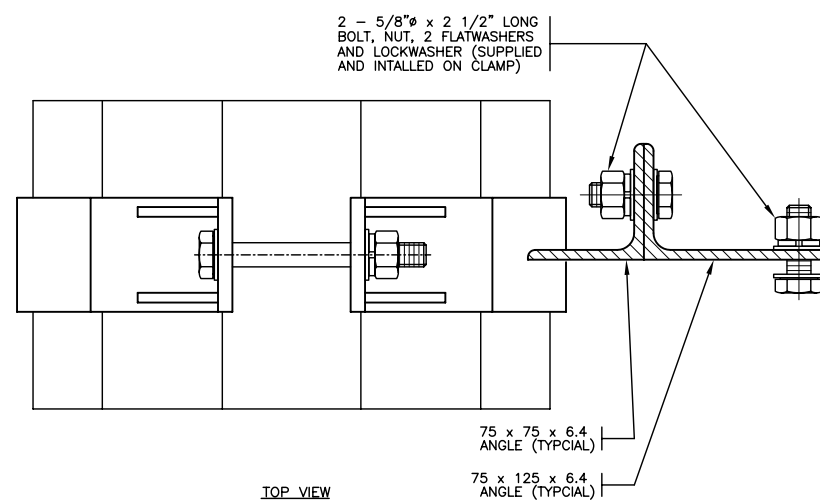


**SIDE VIEW**

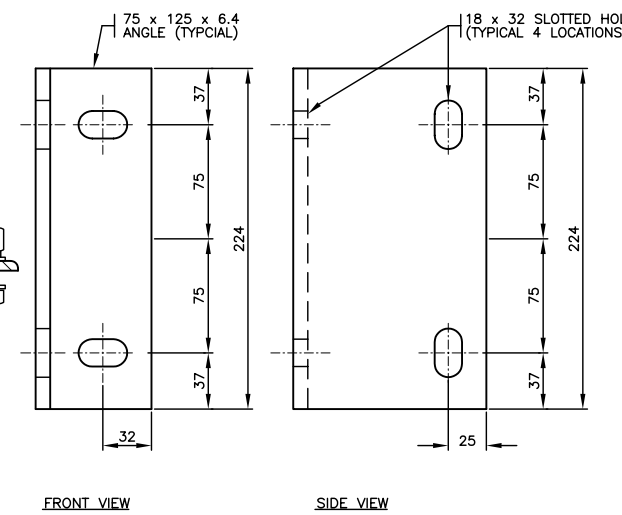


**FRONT CLAMP**

**END VIEW**

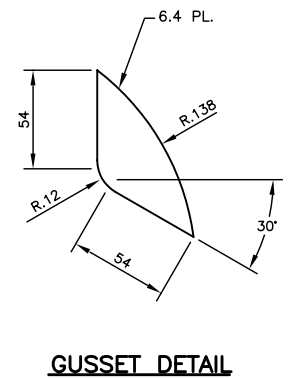


**TOP VIEW**



**FRONT VIEW**

**SIDE VIEW**




**GUSSET DETAIL**

**ANGLE CONNECTION**

- NOTES**
- SEE MATERIAL STANDARD SPECIFICATIONS CHAPTER 301 - TRAFFIC SIGNAL, LUMINAIRE, AND SIGN POLE STRUCTURES FOR ADDITIONAL INFORMATION.
  - ALL DIMENSIONS ARE IN MILLIMETRES UNLESS OTHERWISE NOTED.
  - 'SN' DENOTES MINISTRY STOCK NUMBER.
  - TOLERANCE ±3mm

NOT TO SCALE			TYPE H SIGN MOUNTING CLAMPS	
No.	Description	Date		
J				
I				
H				
G				
F				
E				
D				
C				
B	PIPE BRACKET MOVED TO OPPOSITE SIDE OF ARM	NOV96		
A				
REVISION				

<b>DETAILS</b>		Drawing No.	
	<b>BRITISH COLUMBIA</b>	Ministry of Transportation and Highways	<b>MS318.9</b>
		A	