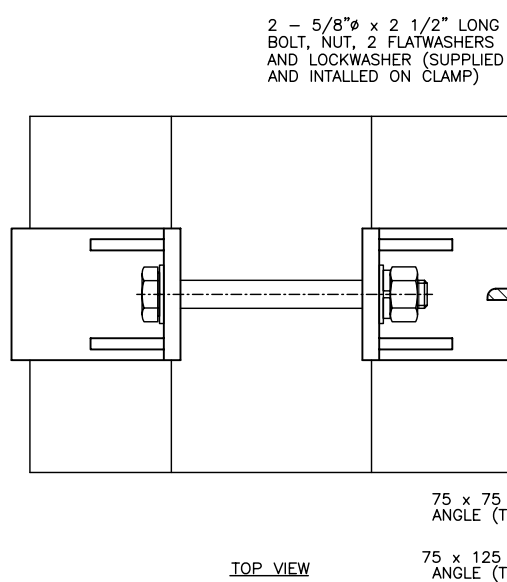
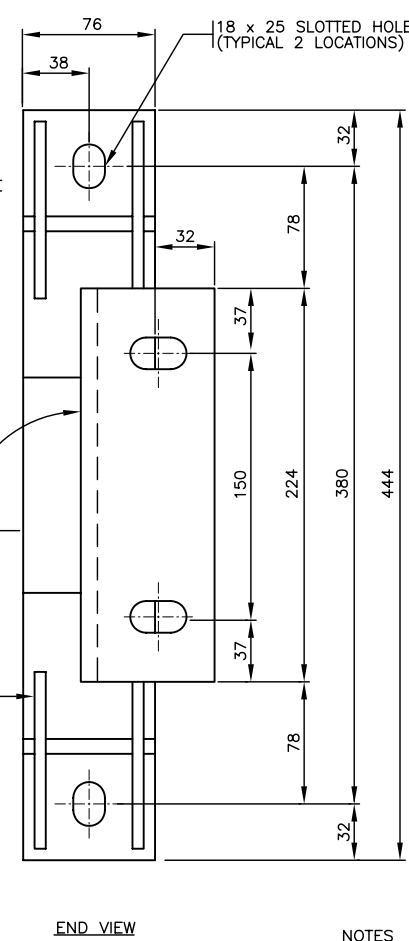
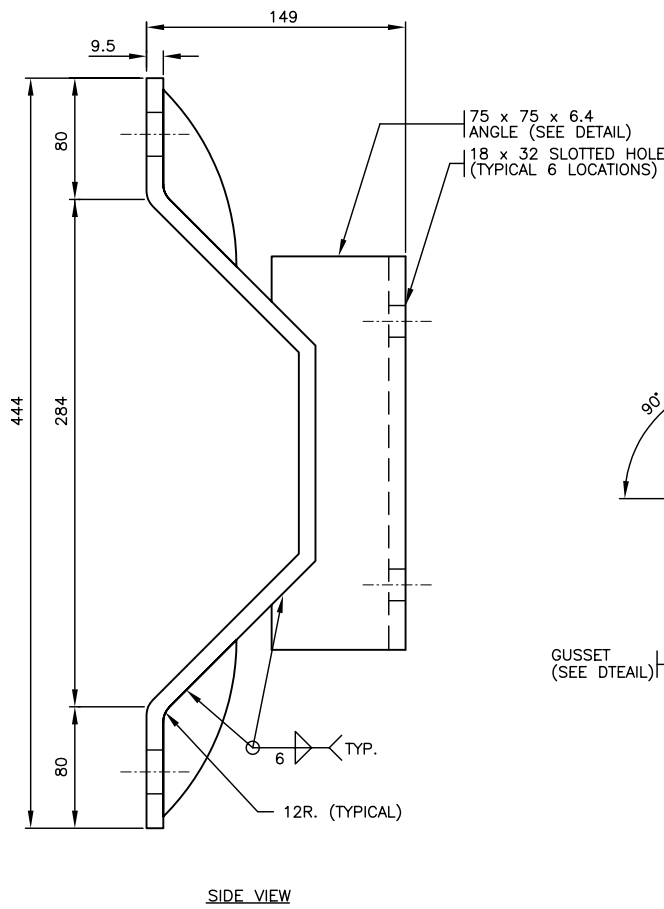


APPROX. MASS  
10 kg

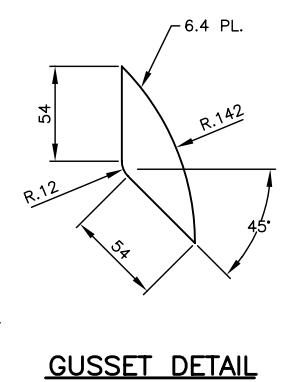
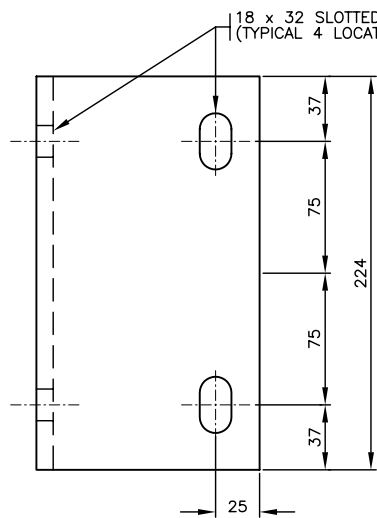
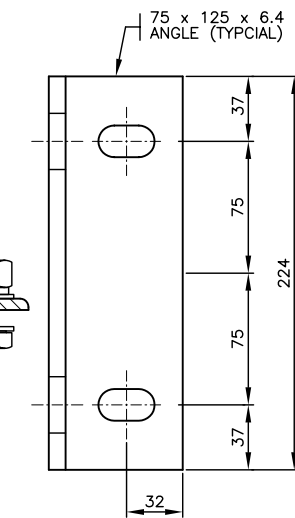
STOCK NUMBER LABEL  
(SEE DRAWINGS MS325.1 TO .3)

ANGLE ADJUSTMENT BRACKET

**BACK CLAMP**



**TYPE M SIGN MOUNTING CLAMPS**  
(SN2104)



**ANGLE CONNECTION**

**FRONT CLAMP**

- NOTES**
- SEE MATERIAL STANDARD SPECIFICATIONS CHAPTER 301 - TRAFFIC SIGNAL, LUMINAIRE, AND SIGN POLE STRUCTURES FOR ADDITIONAL INFORMATION.
  - ALL DIMENSIONS ARE IN MILLIMETRES UNLESS OTHERWISE NOTED.
  - 'SN' DENOTES MINISTRY STOCK NUMBER.
  - TOLERANCE ±3mm

NOT TO SCALE

No.	Description	Date
J		
I		
H		
G		
F		
E		
D		
C		
B		
A	PIPE BRACKET MOVED TO OPPOSITE SIDE OF ARM	NOV96

REVISION

TYPE M SIGN MOUNTING CLAMPS		
DETAILS		
	<b>BRITISH COLUMBIA</b> Ministry of Transportation and Highways	Drawing No. <b>MS318.8</b>
		A