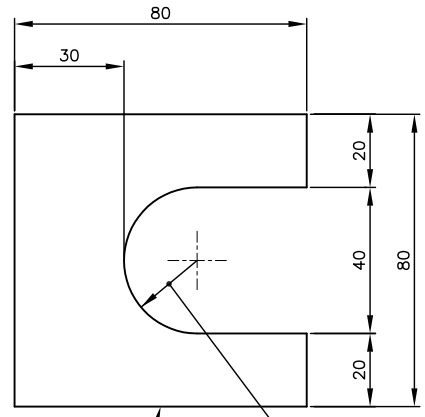


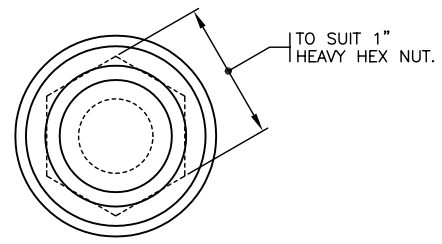
LEVELING SHIMS SHALL BE FABRICATED FROM 1.6mm THICK GALVANIZED SHEET METAL STOCK

**LEVELING SHIM**  
FOR 1" ANCHOR BOLTS

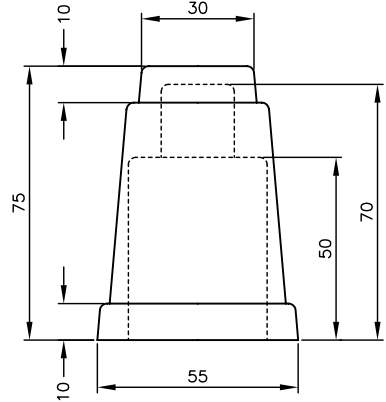


LEVELING SHIMS SHALL BE FABRICATED FROM 1.6mm THICK GALVANIZED SHEET METAL STOCK

**LEVELING SHIM**  
FOR 1 1/4", DYWIDAG AND  
1 1/2" ANCHOR BOLTS

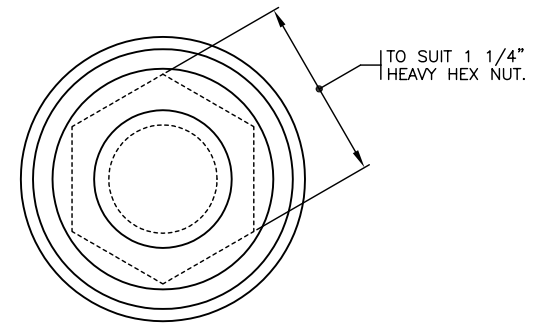


TOP VIEW

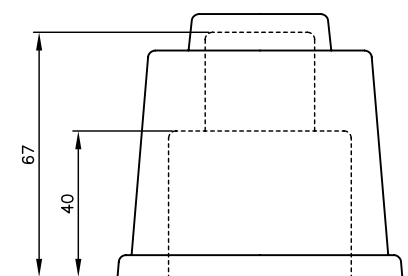


SIDE VIEW

**NUT COVER FOR 1" HEX NUT**

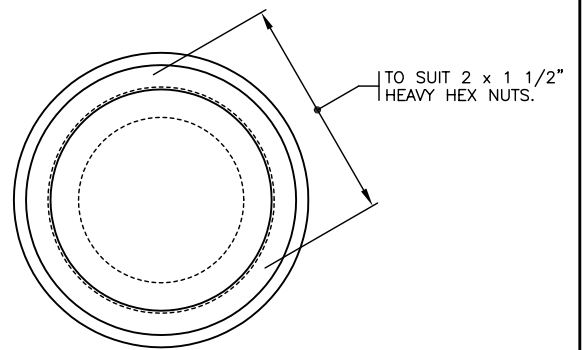


TOP VIEW

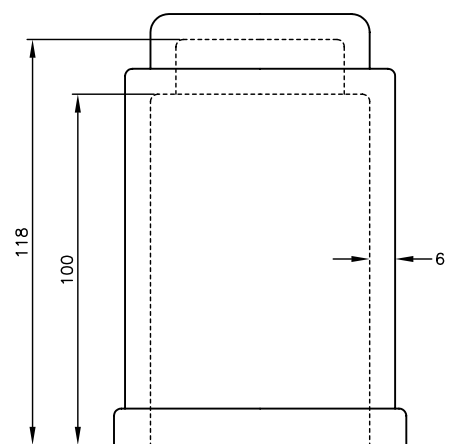


SIDE VIEW

**NUT COVER FOR 1 1/4" HEX NUT**



TOP VIEW



SIDE VIEW

**NUT COVER FOR 2 x 1 1/2" HEX NUT**

- NUT COVER NOTES**
1. ALL NUT COVERS SHALL FIT TIGHTLY OVER NUTS.
  2. ALL NUT COVERS SHALL BE GREY IN COLOUR.
  3. NUT COVERS SHALL BE MADE OF HIGH DENSITY POLYETHYLENE OR APPROVED ALTERNATE.

- NOTES**
1. SEE MATERIAL STANDARD SPECIFICATIONS CHAPTER 301 - TRAFFIC SIGNAL, LUMINAIRE, AND SIGN POLE STRUCTURES FOR ADDITIONAL INFORMATION.
  2. ALL DIMENSIONS ARE IN MILLIMETRES.
  3. 'SN' DENOTES MINISTRY STOCK NUMBER.

NOT TO SCALE

No.	Description	Date
J		
I		
H		
G		
F		
E		
D		
C		
B		
A		

REVISION

**LEVELING SHIMS AND NUT COVERS**

---

**DETAILS**

<b>BRITISH COLUMBIA</b> Ministry of Transportation and Highways	Drawing No. <b>MS317.9</b>
--	-------------------------------