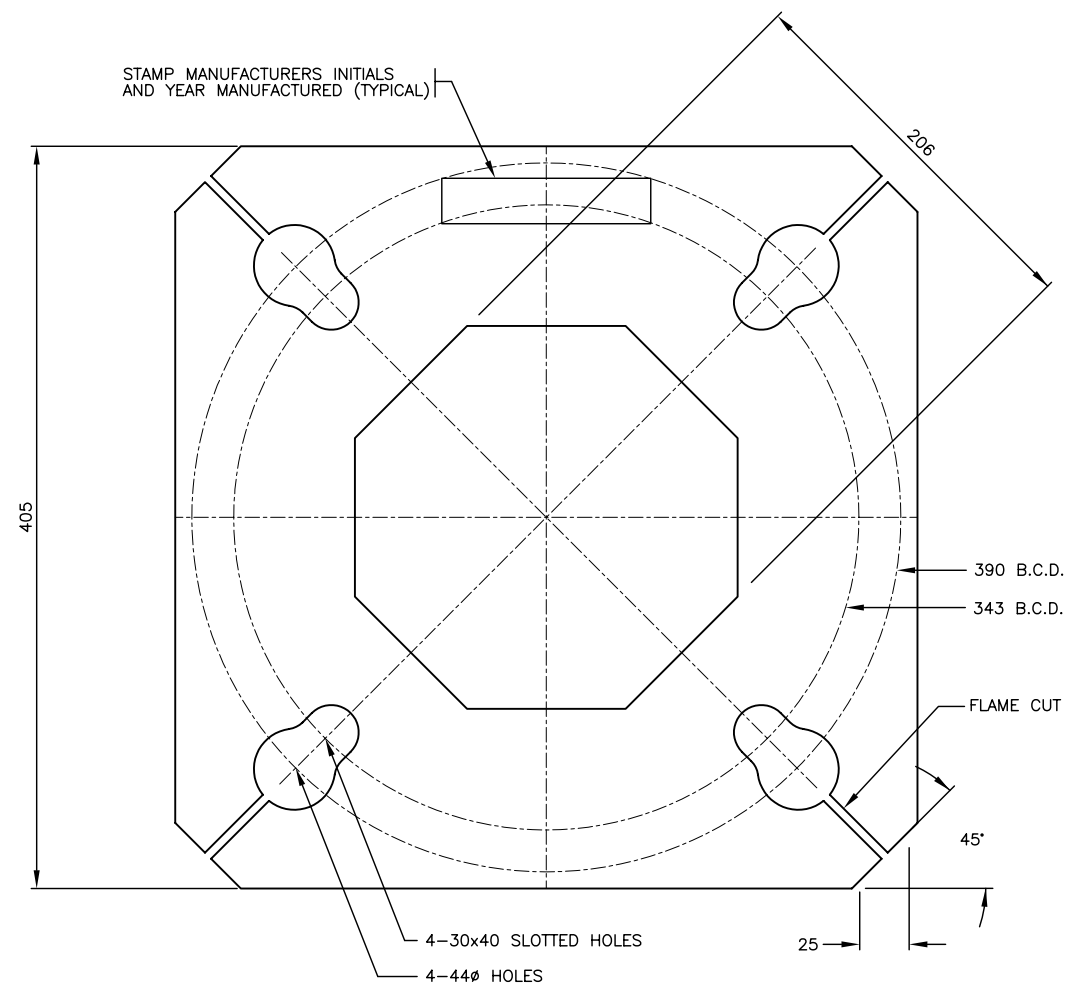
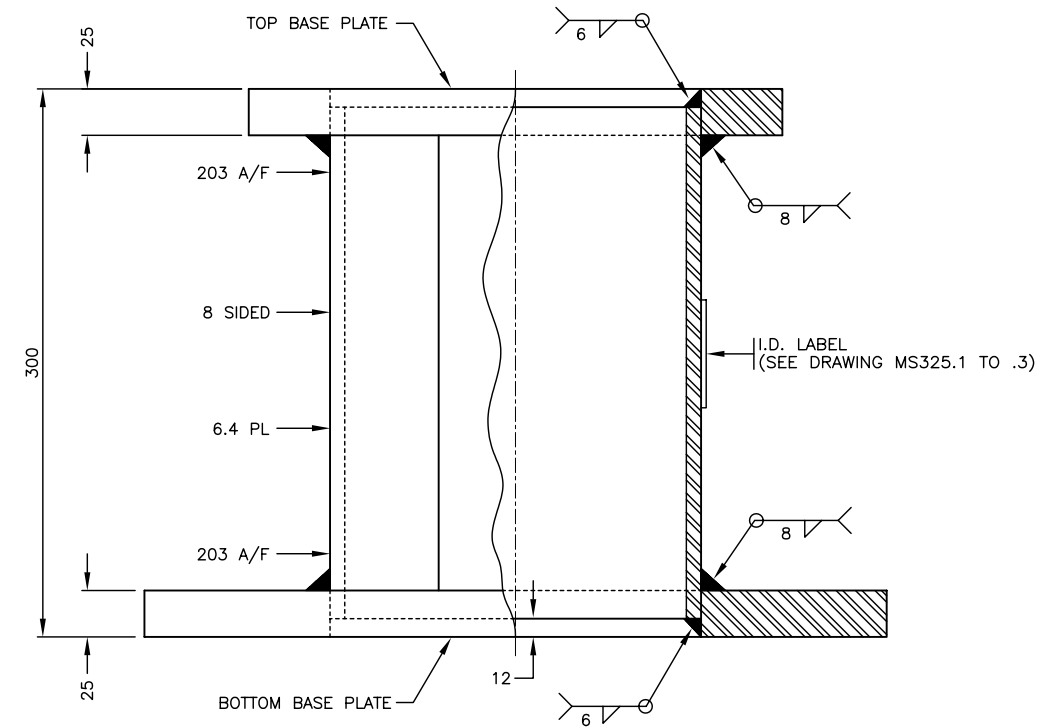


TOP PLATE - PLAN VIEW



BOTTOM PLATE - PLAN VIEW



BASE ADAPTOR - SIDE VIEW

FOR TYPE L & F BASES TO
TYPE 1, 2, 3, 4, 4A & 5 SHAFTS
(SN1852A)


APPROX. MASS
16 kg

NOTE:
SUPPLY 4-1"Ø x 4 1/2" LONG BOLTS,
8 NUTS AND 8 FLATWASHERS INSTALLED
ON THE BASE PLATE.

NOTES

- SEE MATERIAL STANDARD SPECIFICATIONS CHAPTER 301 - TRAFFIC SIGNAL, LUMINAIRE, AND SIGN POLE STRUCTURES FOR ADDITIONAL INFORMATION.
- ALL DIMENSIONS ARE IN MILLIMETRES UNLESS OTHERWISE NOTED.
- 'SN' DENOTES MINISTRY STOCK NUMBER.

NOT TO SCALE

No.	Description	Date	POLE BASE ADAPTOR	
J			DETAILS  Ministry of Transportation and Highways Drawing No. MS317.8	
I				
H				
G				
F				
E				
D				
C				
B				
A				
REVISION				