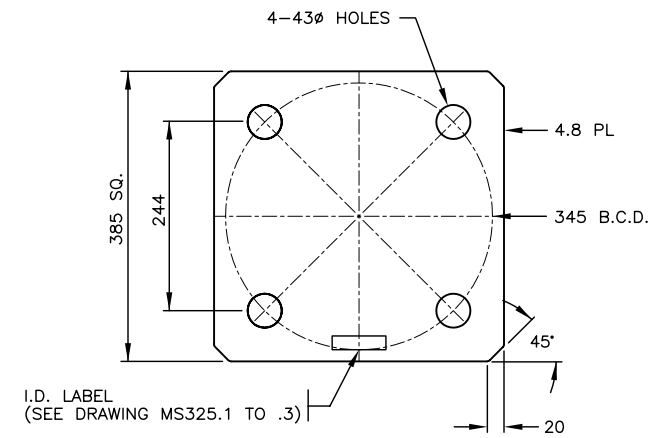
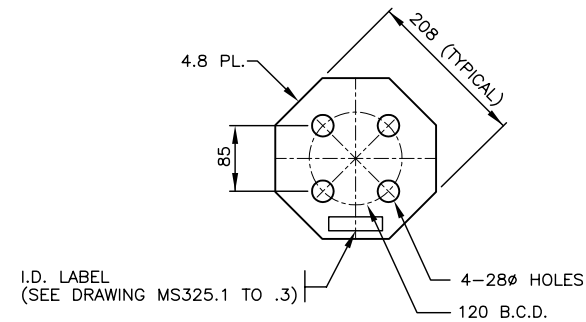


**TYPE 1 & 1A FLANGE COVER – PLAN VIEW**  
(SN1367)

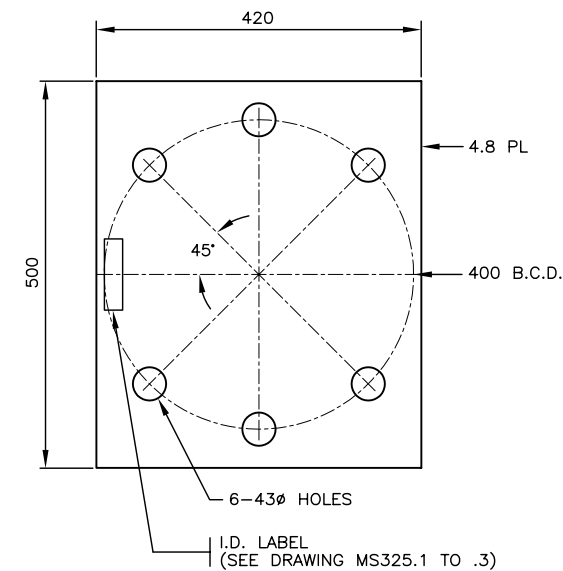


**TYPE 2 FLANGE COVER – PLAN VIEW**  
(SN2083)

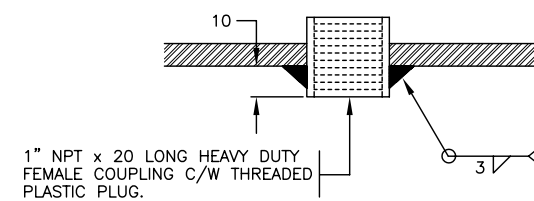


**NOTE:**  
SUPPLY 4-1"Ø x 2 1/2" LONG BOLTS AND  
FLAT WASHER INSTALLED ON TYPE 3 FLANGE  
COVER PLATE.

**TYPE 3 FLANGE COVER – PLAN VIEW**  
(SN2084)



**TYPE 4 FLANGE COVER – PLAN VIEW**  
(SN2085)



**SIGN ARM COUPLING DETAIL**

- NOTES**
- SEE MATERIAL STANDARD SPECIFICATIONS CHAPTER 301 – TRAFFIC SIGNAL, LUMINAIRE, AND SIGN POLE STRUCTURES FOR ADDITIONAL INFORMATION.
  - ALL DIMENSIONS ARE IN MILLIMETRES UNLESS OTHERWISE NOTED.
  - 'SN' DENOTES MINISTRY STOCK NUMBER.

NOT TO SCALE

No.	Description	Date
J		
I		
H		
G		
F		
E		
D		
C		
B		
A		

REVISION

**FLANGE COVER PLATES AND SIGN ARM COUPLING**

**DETAILS**



Ministry of  
Transportation  
and Highways

Drawing No.  
**MS317.5**