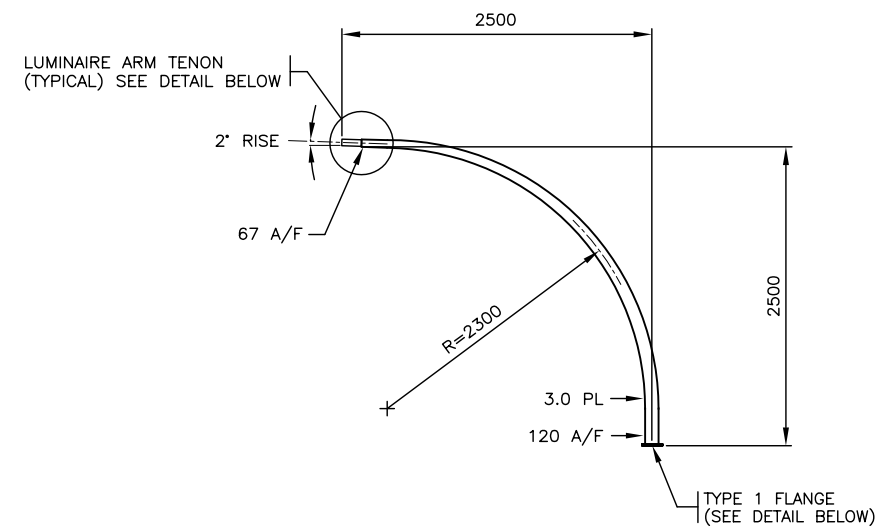
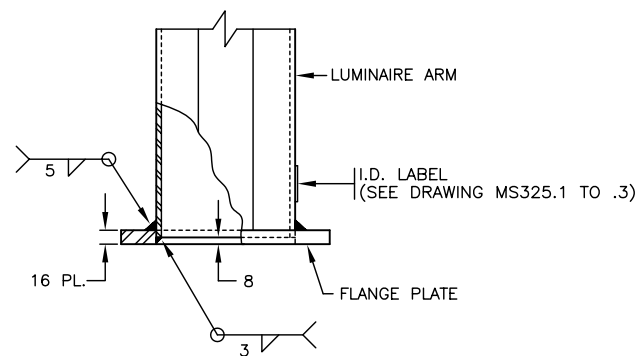


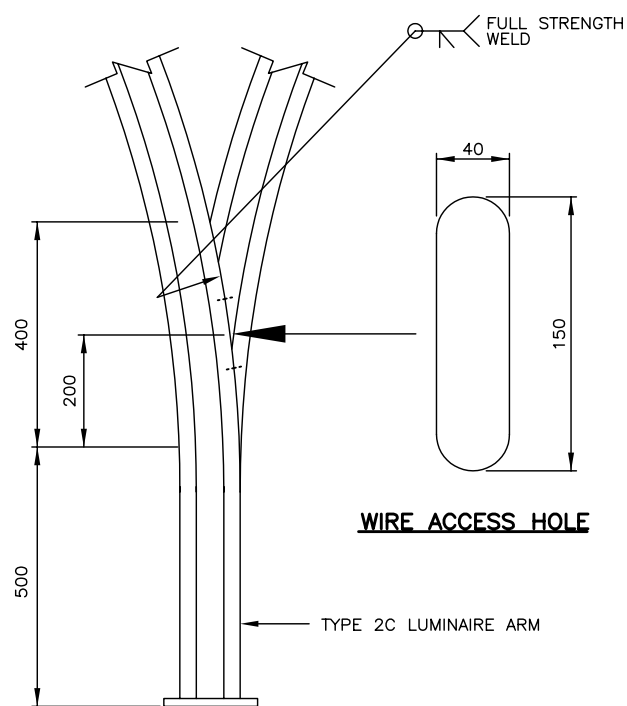
TYPE 2C LUMINAIRE ARM



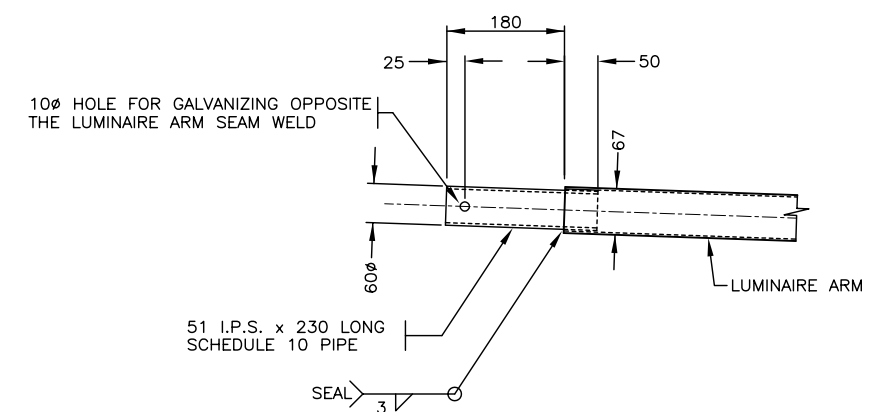
TYPE 2A LUMINAIRE ARM



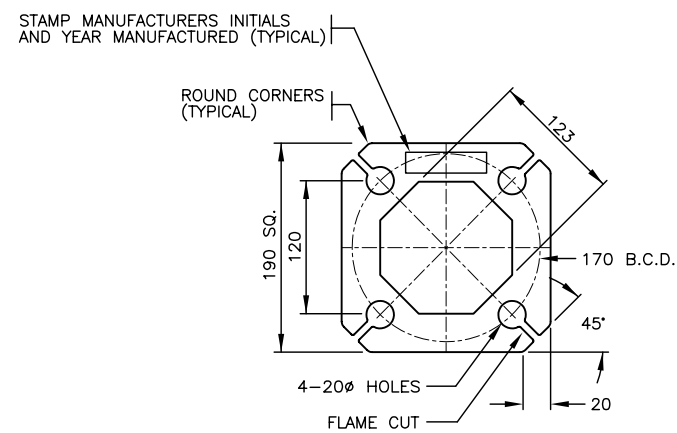
TYPE 1 FLANGE WELDING DETAILS



DETAIL A



LUMINAIRE ARM TENON DETAIL



TYPE 1 FLANGE - PLAN VIEW

- NOTES**
- SEE MATERIAL STANDARD SPECIFICATIONS CHAPTER 301 - TRAFFIC SIGNAL, LUMINAIRE, AND SIGN POLE STRUCTURES FOR ADDITIONAL INFORMATION.
 - ALL DIMENSIONS ARE IN MILLIMETRES UNLESS OTHERWISE NOTED.
 - 'SN' DENOTES MINISTRY STOCK NUMBER.

'A/F' DENOTES ACCROSS THE FLATS

NOT TO SCALE

No.	Description	Date
J		
I		
H		
G		
F		
E		
D		
C		
B		
A		

REVISION

TYPE 2A AND 2C LUMINAIRE ARMS

ELEVATIONS AND DETAILS



Ministry of Transportation and Highways

Drawing No.

MS317.4