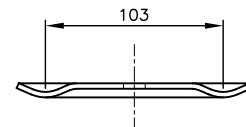
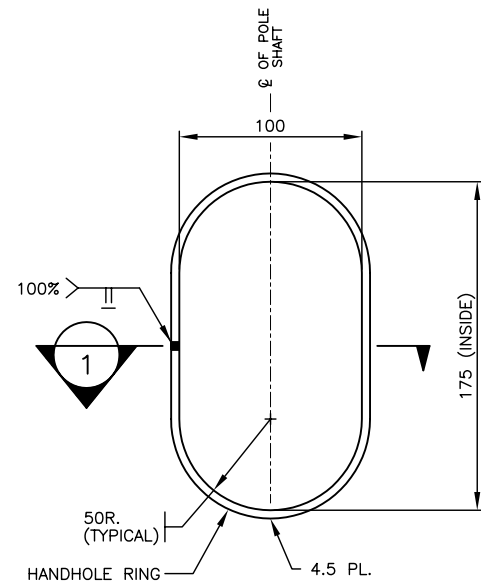


SECTION 1

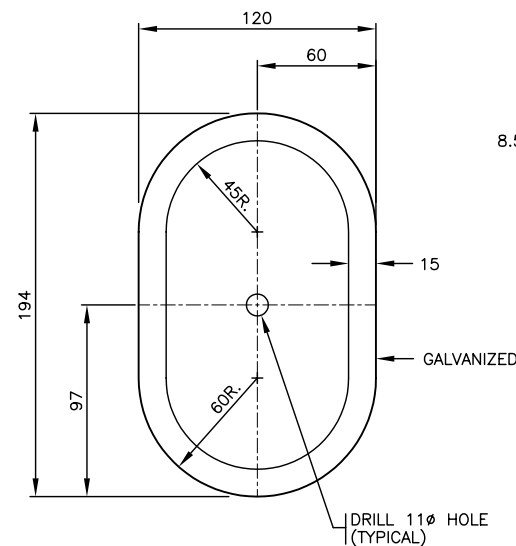


TOP VIEW



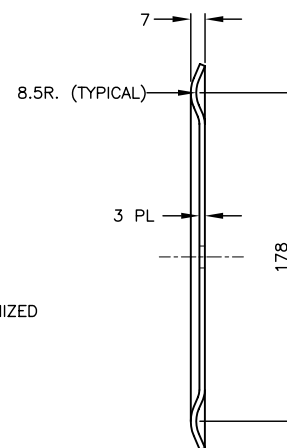
FRONT VIEW

HANDHOLE RING DETAILS

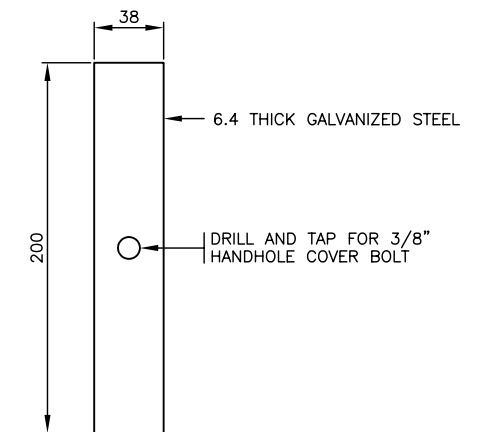


FRONT VIEW

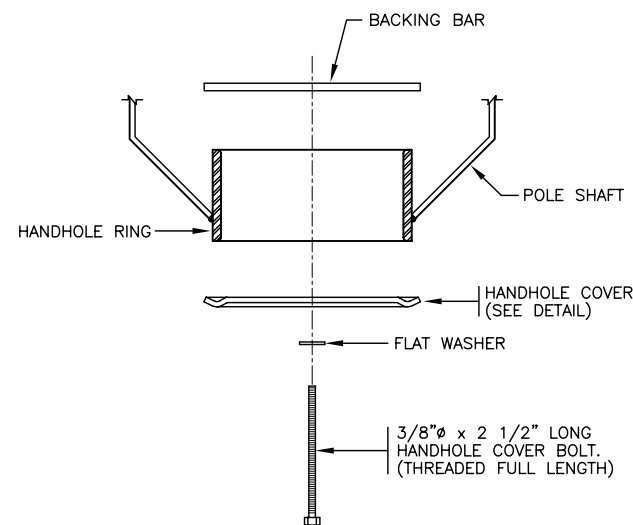
HANDHOLE COVER DETAILS



SIDE VIEW



BACKING BAR



ASSEMBLY VIEW

NOTES

1. SEE MATERIAL STANDARD SPECIFICATIONS CHAPTER 301 - TRAFFIC SIGNAL, LUMINAIRE, AND SIGN POLE STRUCTURES FOR ADDITIONAL INFORMATION.
2. ALL DIMENSIONS ARE IN MILLIMETRES UNLESS OTHERWISE NOTED.
3. 'SN' DENOTES MINISTRY STOCK NUMBER.
4. HANDHOLE COVERS SHALL BE GALVANIZED.

NOT TO SCALE

No.	Description	Date	SMALL HANDHOLE	
J			<p style="text-align: center;">DETAILS</p> <p style="text-align: right;">Drawing No. MS317.1</p>	
I				
H				
G				
F				
E				
D				
C				
B				
A	GENERAL REVISIONS	AUG96		