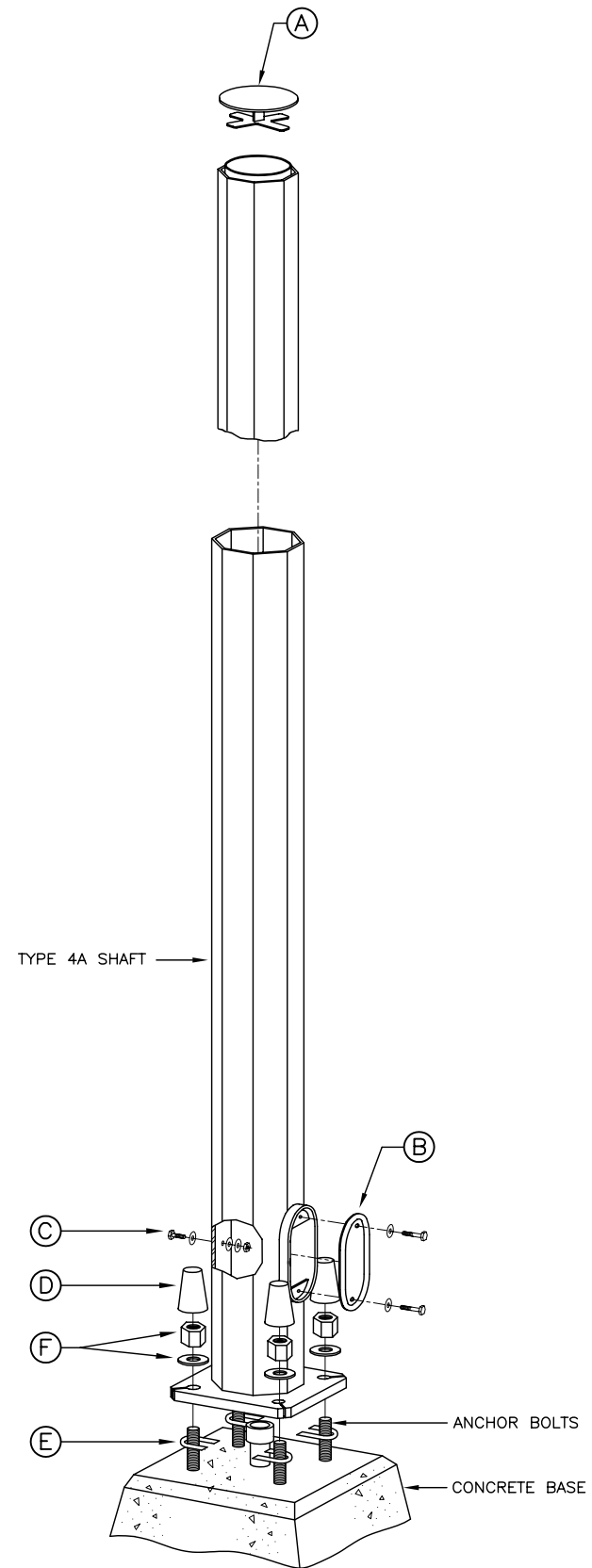


POLE ASSEMBLY DETAIL




POLE ASSEMBLY DETAIL

TYPE 4 & 5 BOLT KIT (SN2091B)		
ITEM	QUANTITY	DESCRIPTION
A	1	LARGE HANDHOLE COVER WITH 2 - 3/8"φ x 1" LONG BOLTS AND 2 FLATWASHERS
B	1	3/8"φ x 1 1/4" LONG BOLT, NUT AND 2 FLATWASHERS.
C	4	PLASTIC NUT COVER FOR 1" NUT.
D	4	LEVELING SHIM FOR 1" BOLTS (1.6mm GALVANIZED STEEL)
E	4	NUT AND FLATWASHER FOR 1"φ BOLT.

TYPE 4A BOLT KIT (SN1791C)		
ITEM	QUANTITY	DESCRIPTION
A	1	PLASTIC END CAP
B	1	LARGE HANDHOLE COVER WITH 2 - 3/8"φ x 1" LONG BOLTS AND 2 FLATWASHERS
C	1	3/8"φ x 1 1/4" LONG BOLT, NUT AND 2 FLATWASHERS.
D	4	PLASTIC NUT COVER FOR 1" NUT.
E	4	LEVELING SHIM FOR 1" BOLTS (1.6mm GALVANIZED STEEL)
F	4	NUT AND FLATWASHER FOR 1"φ BOLT.

SEE DRAWING MS316.1 FOR NOTES

NOT TO SCALE

No.	Description	Date	TYPE 4, 4A & 5 SHAFTS	
J			ASSEMBLY AND BOLT KITS  Ministry of Transportation and Highways Drawing No. MS316.2	
I				
H				
G				
F				
E				
D				
C				
B				
A	GENERAL REVISIONS	AUG96		
REVISION			A	