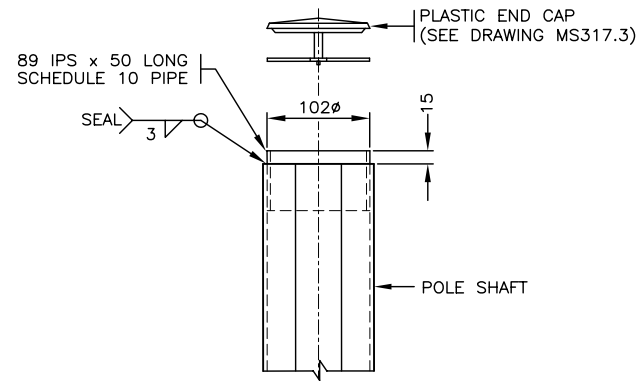
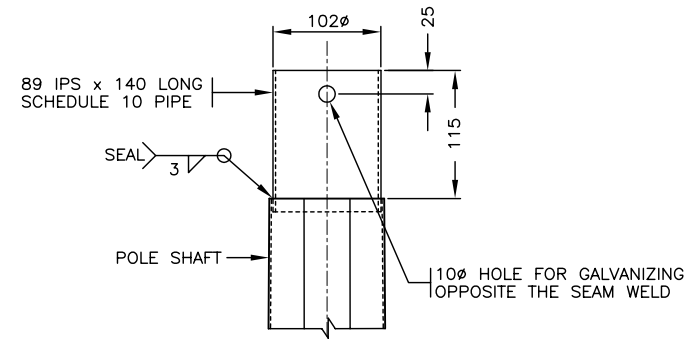


PARTS LIST FOR TYPE 4, 4A AND 5 SHAFT

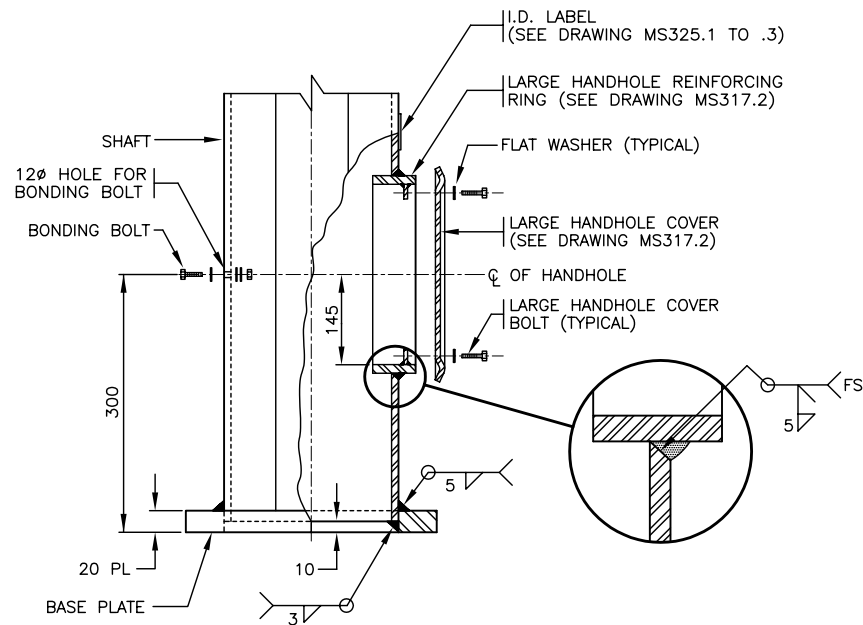
PART	MINISTRY STOCK NUMBER	APPROX. MASS (kg)
TYPE 4 SHAFT	SN1827	45
TYPE 4A SHAFT	SN1827A	66
TYPE 5 SHAFT	SN1828	77
TYPE 4 AND 5 BOLT KIT	SN1791B	4.5
TYPE 4A BOLT KIT	SN1791C	8



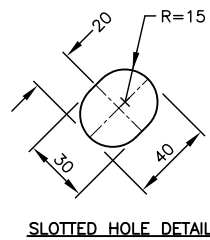
END CAP DETAIL



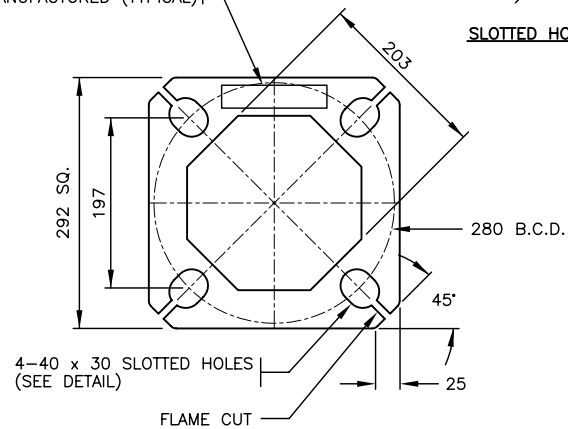
TENON DETAIL



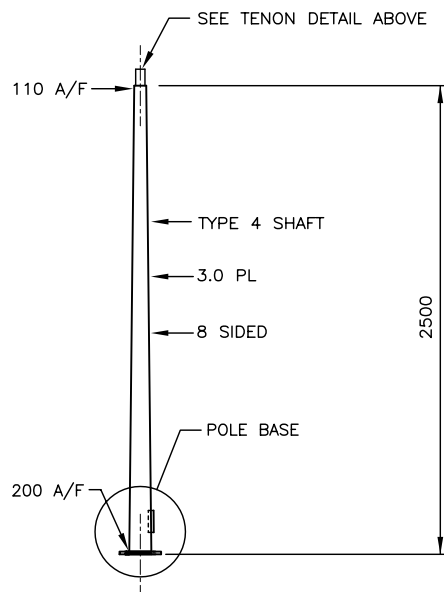
BASE PLATE - SIDE VIEW
FOR TYPE 4, 4A AND 5 SHAFTS



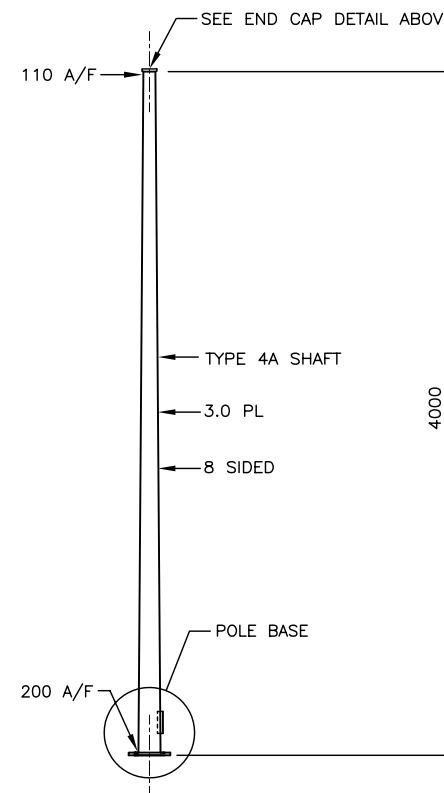
STAMP MANUFACTURERS INITIALS AND YEAR MANUFACTURED (TYPICAL)



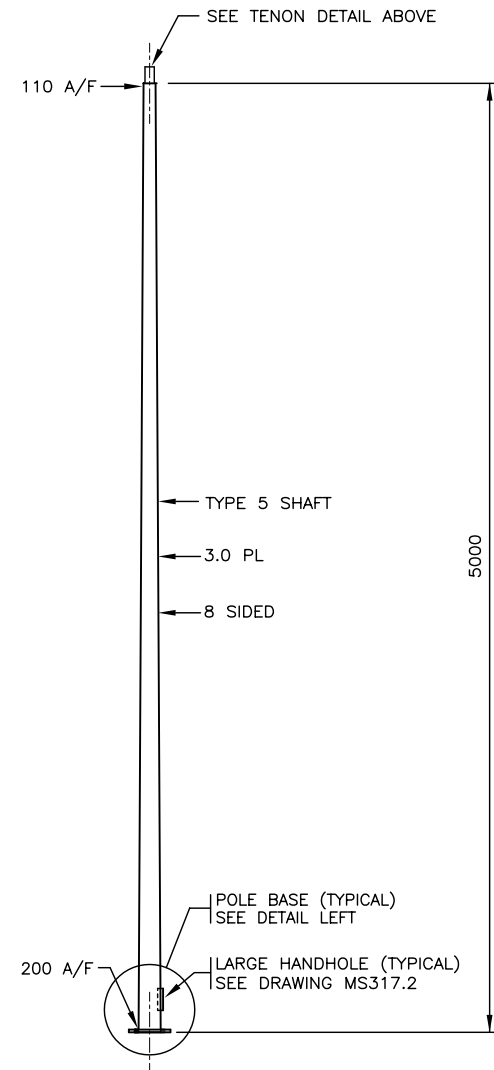
BASE PLATE - PLAN VIEW
FOR TYPE 4, 4A AND 5 SHAFTS



TYPE 4 SHAFT



TYPE 4A SHAFT



TYPE 5 SHAFT

NOTES

- SEE MATERIAL STANDARD SPECIFICATIONS CHAPTER 301 - TRAFFIC SIGNAL, LUMINAIRE, AND SIGN POLE STRUCTURES FOR ADDITIONAL INFORMATION.
- SEE DRAWING MS316.2 FOR BOLT KIT DETAILS.
- ALL DIMENSIONS ARE IN MILLIMETRES UNLESS OTHERWISE NOTED.
- 'SN' DENOTES MINISTRY STOCK NUMBER.

NOT TO SCALE

'A/F' DENOTES ACCROSS THE FLATS

No.	Description	Date
J		
I		
H		
G		
F		
E		
D		
C		
B		
A		

TYPE 4, 4A AND 5 SHAFTS	
ELEVATIONS AND DETAILS	
	Drawing No. MS316.1