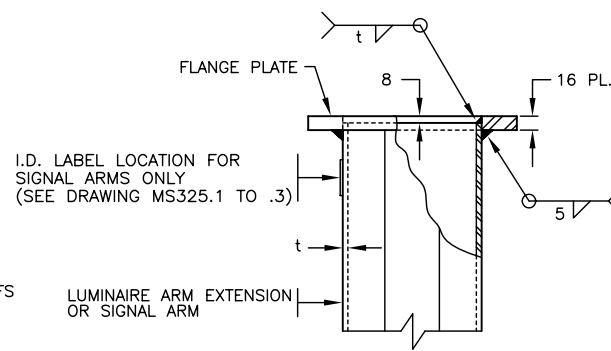
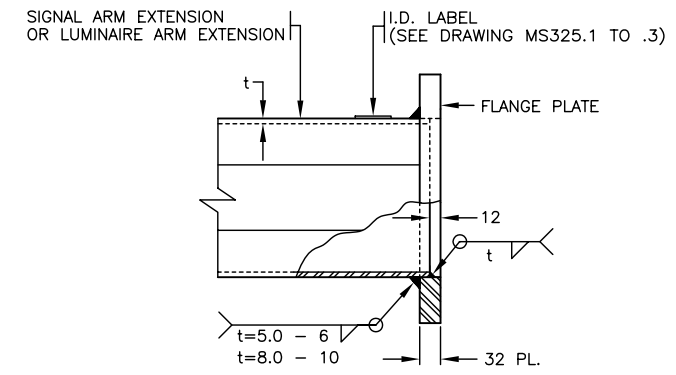


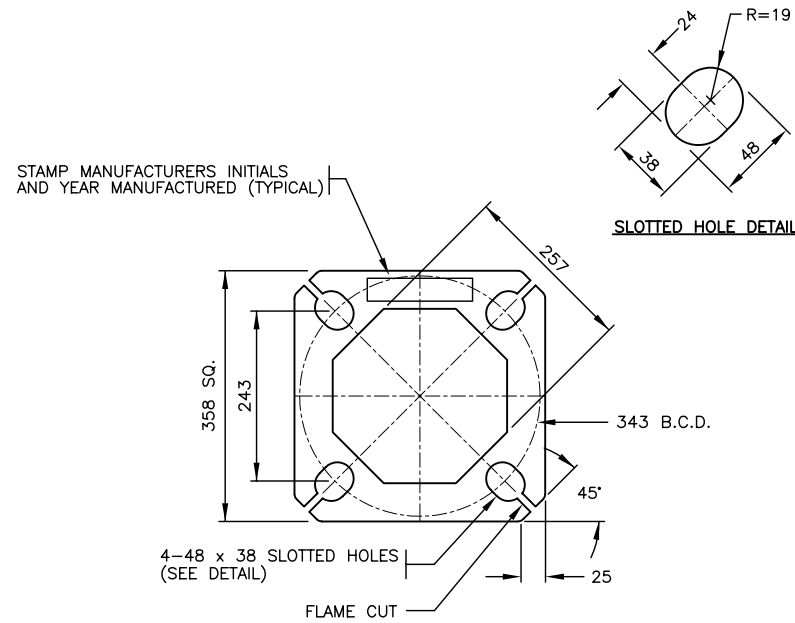
BASE PLATE - SIDE VIEW
FOR TYPE 6 AND 7 SHAFTS



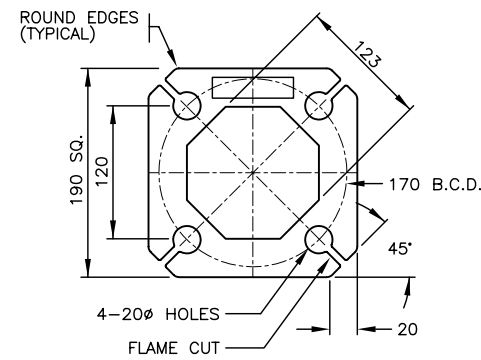
TYPE 1 FLANGE WELDING DETAILS



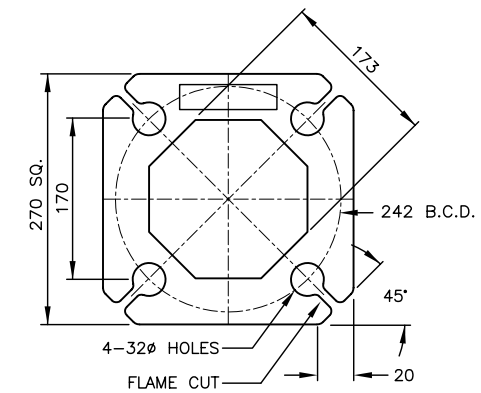
TYPE 8 FLANGE WELDING DETAILS



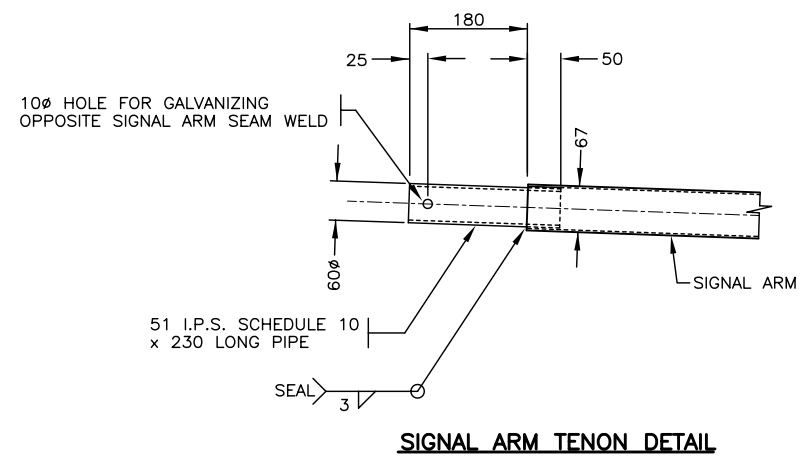
BASE PLATE - PLAN VIEW
FOR TYPE 6 AND 7 SHAFTS



TYPE 1 FLANGE - PLAN VIEW



TYPE 8 FLANGE - PLAN VIEW



SIGNAL ARM TENON DETAIL

SEE DRAWING MS315.1 AND MS315.2 FOR NOTES

NOT TO SCALE

| No. | Description | Date |
|-----|-------------|------|
| J | | |
| I | | |
| H | | |
| G | | |
| F | | |
| E | | |
| D | | |
| C | | |
| B | | |
| A | | |

TYPE 6 & 7 SHAFTS AND ARMS

BASE PLATE, FLANGE AND TENON DETAILS



Ministry of Transportation and Highways

Drawing No.

MS315.3

REVISION