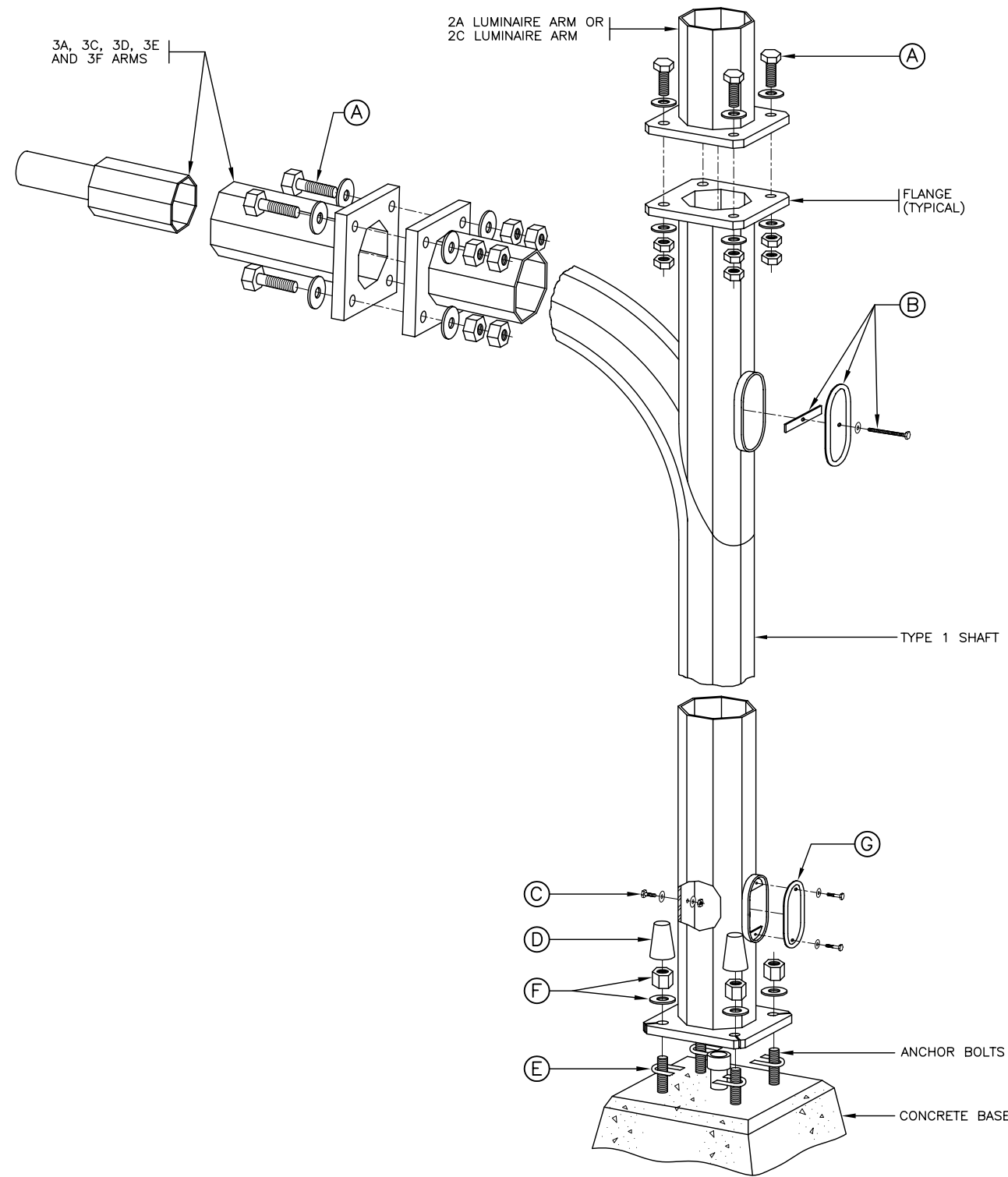
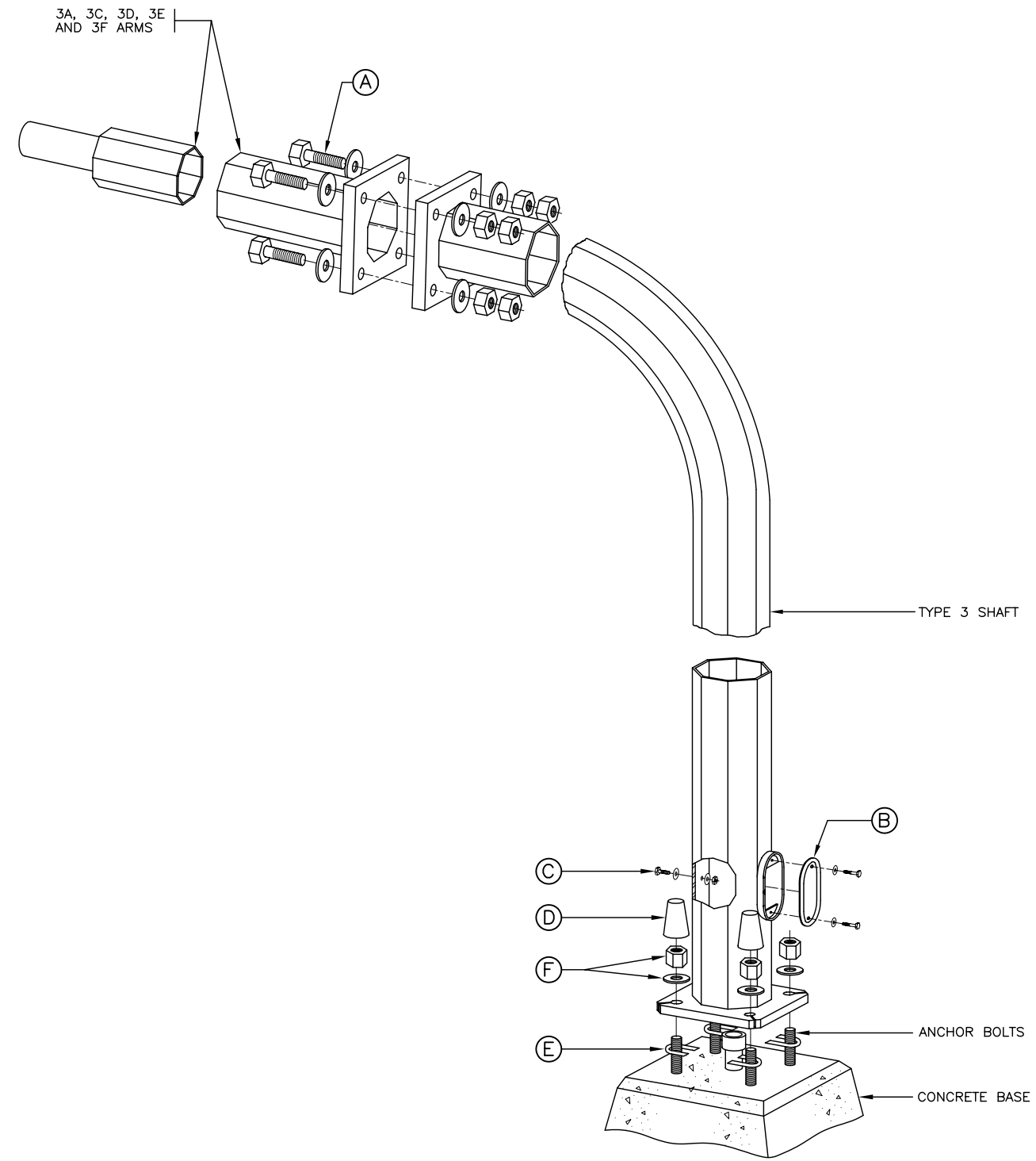


V:\PDS\1\0 - BRITISH STANDARDS, VOTV, AND MUNICIPAL MATERIAL - STANDARDS\MUTV - MATERIAL - STANDARDS\ELECTRICAL\MS314.1 AND MS314.2.DWG Last updated: 30/12/14 12:25



TYPE 1 POLE ASSEMBLY DETAIL



TYPE 3 POLE ASSEMBLY DETAIL


TYPE 1 SHAFT BOLT KIT (SN1790)		
ITEM	QUANTITY	DESCRIPTION
A	8	5/8"φ x 3" LONG BOLT, 2 NUTS AND 2 FLATWASHERS.
B	1	SMALL HANDHOLE COVER WITH 1 - 3/8"φ x 3 1/2" LONG (FULLY THREADED) BOLT, FLATWASHER, AND BACKING BAR.
C	1	3/8"φ x 1 1/4" LONG BOLT, NUT AND 2 FLATWASHERS.
D	4	PLASTIC NUT COVER FOR 1" NUT.
E	4	LEVELING SHIM FOR 1"φ BOLTS (1.6mm GALVANIZED STEEL)
F	4	NUT AND FLATWASHER FOR 1"φ BOLT
G	1	LARGE HANDHOLE COVER WITH 2 - 3/8"φ x 1" LONG (FULLY THREADED) BOLT AND 2 FLATWASHERS

TYPE 3 SHAFT BOLT KIT (SN1791)		
ITEM	QUANTITY	DESCRIPTION
A	4	5/8"φ x 3" LONG BOLT, 2 NUTS AND 2 FLATWASHERS.
B	1	LARGE HANDHOLE COVER WITH 2 - 3/8"φ x 1" LONG (FULLY THREADED) BOLT AND 2 FLATWASHERS
C	1	3/8"φ x 1 1/4" LONG BOLT, NUT AND 2 FLATWASHERS.
D	4	PLASTIC NUT COVER FOR 1" NUT.
E	4	LEVELING SHIM FOR 1"φ BOLTS (1.6mm GALVANIZED STEEL)
F	4	NUT AND FLATWASHER FOR 1"φ BOLT

SEE DRAWINGS MS314.1 AND MS314.2 FOR NOTES

NOT TO SCALE

No.	Description	Date
J		
I		
H		
G		
F		
E		
D		
C		
B	REPLACED LOWER HANDHOLE WITH LARGE HANDHOLE	NOV00
A	GENERAL REVISIONS	AUG96
REVISION		

TYPE 1 & 3 SHAFTS AND ARMS		
ASSEMBLY AND BOLT KITS		
 <b>BRITISH COLUMBIA</b>	Ministry of Transportation and Highways	Drawing No. <b>MS314.4</b>
		<b>B</b>