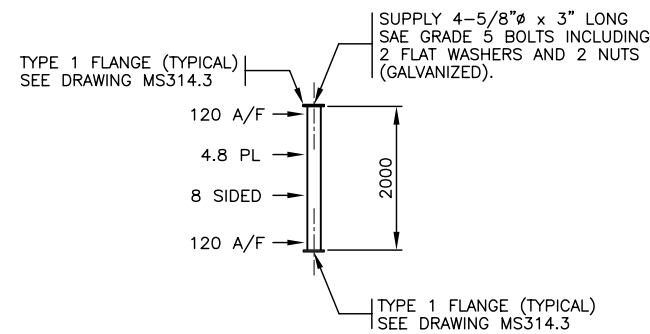


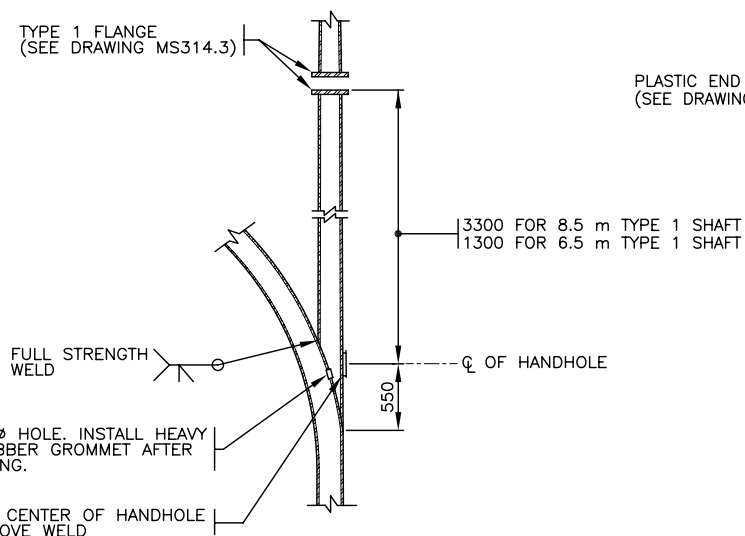
PARTS LIST FOR TYPE 1 SHAFT		
PART	MINISTRY STOCK NUMBER	APPROX. MASS (kg)
TYPE 1 SHAFT - 6.5 m	SN1821	195
TYPE 1 SHAFT - 8.5 m	SN1822	209
TYPE 3C SIGNAL ARM - 1.8 m	SN1836	18
TYPE 3A SIGNAL ARM - 3.0 m	SN1834	27
TYPE 3D SIGNAL ARM - 4.3 m	SN1837	54
TYPE 3E SIGNAL ARM - 5.5 m	SN1838	68
TYPE 3F SIGNAL ARM (3.0mm)	SN1836A	9 PER METRE
TYPE 2A LUMINAIRE ARM	SN1832	35
TYPE 2B LUMINAIRE EXTENSION	SN1832A	
TYPE 2C LUMINAIRE ARM	SN1833	65
POST TOP TENON	SN1831	5
TYPE 1 FLANGE COVER PLATE	SN1367	1.5
TYPE 1 BOLT KIT	SN1790	5.5

NOTES

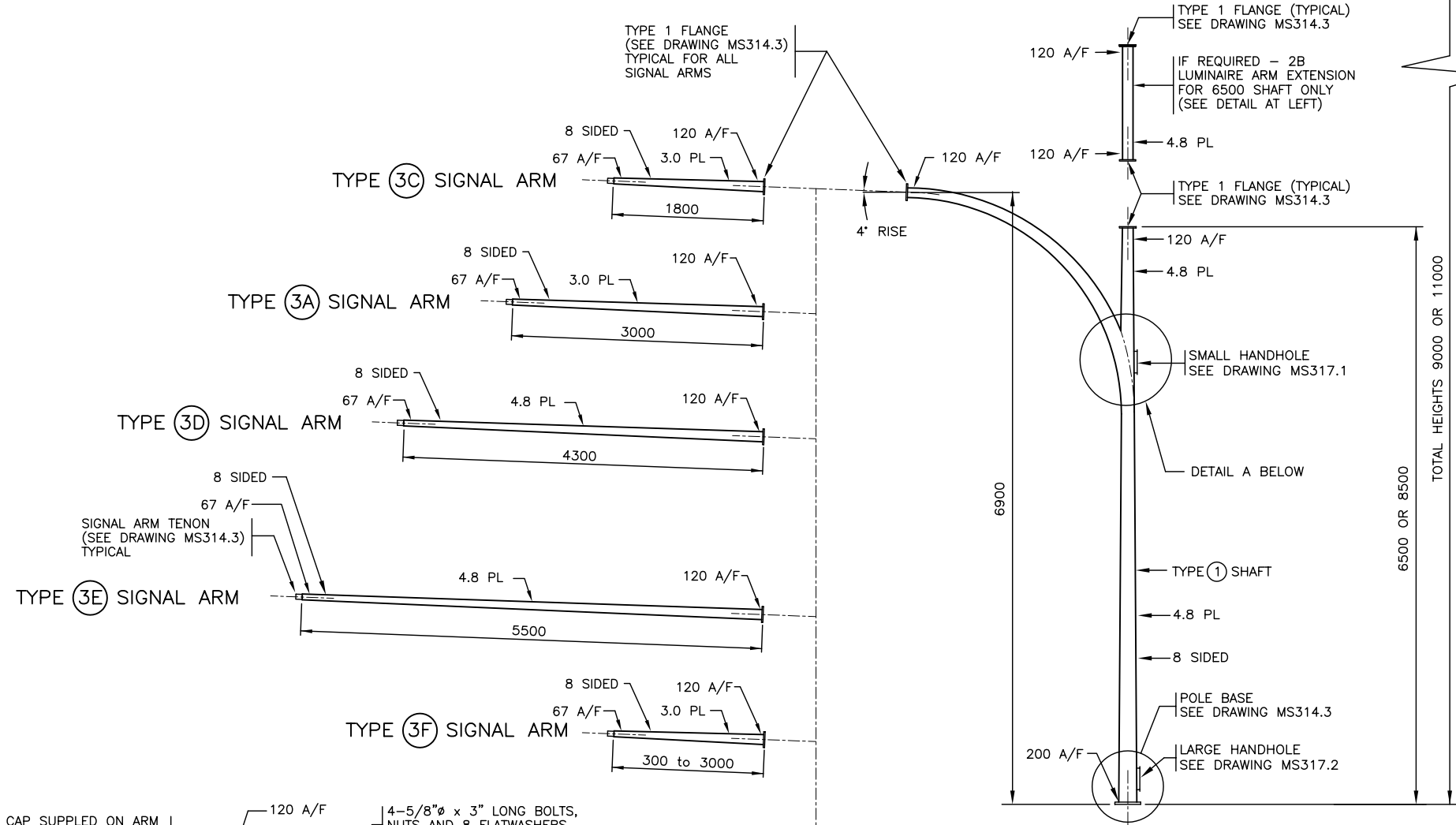
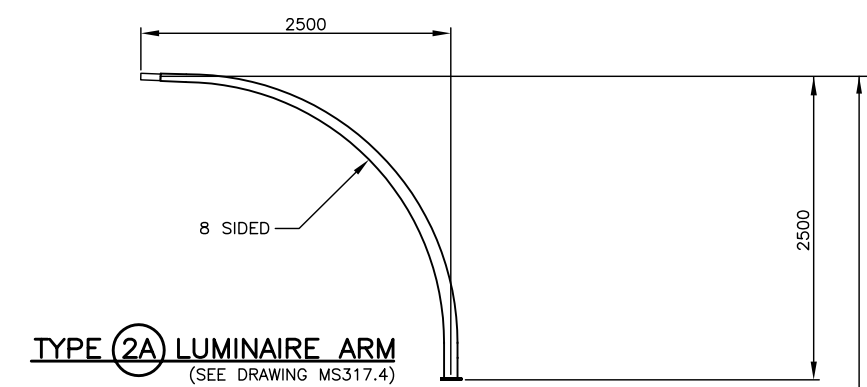
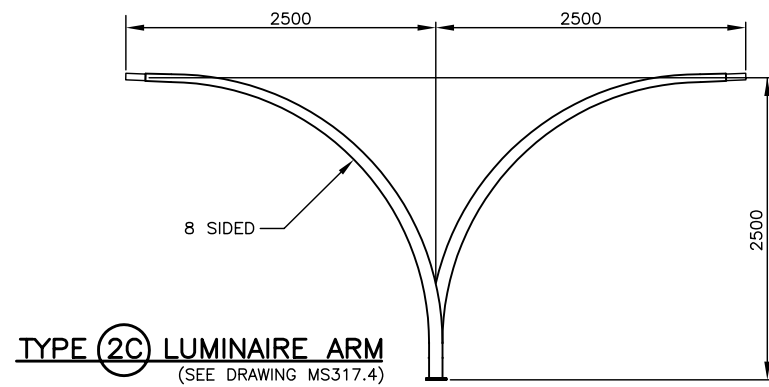
- SEE MATERIAL STANDARD SPECIFICATIONS CHAPTER 301 - TRAFFIC SIGNAL, LUMINAIRE, AND SIGN POLE STRUCTURES FOR ADDITIONAL INFORMATION.
- SEE DRAWING MS314.4 FOR BOLT KIT DETAILS.
- SEE DRAWING MS317.6 FOR POST TOP TENON DETAIL.
- SEE DRAWING MS317.5 FOR FLANGE COVER PLATE DETAIL.
- ALL DIMENSIONS ARE IN MILLIMETRES UNLESS OTHERWISE NOTED.
- 'SN' DENOTES MINISTRY STOCK NUMBER.



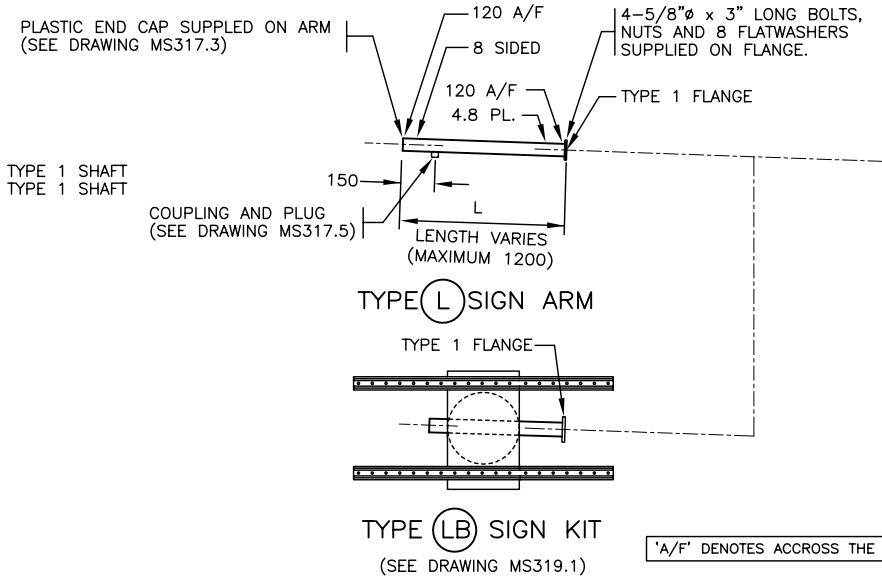
TYPE 2B LUMINAIRE EXTENSION



DETAIL A



TYPE 1 SHAFT



TYPE LB SIGN KIT (SEE DRAWING MS319.1)

'A/F' DENOTES ACCROSS THE FLATS

NOT TO SCALE

No.	Description	Date
J		
I		
H		
G		
F		
E		
D		
C	RELACED SMALL HANDHOLE WITH LARGE HANDHOLE	NOV00
B	ADDED 2B LUMINAIRE EXTENSION TO PARTS LIST	DEC97
A	TYPE L SIGN ARM AND TYPE LB SIGN KIT ADDED	AUG96

TYPE 1 SHAFTS AND ARMS		
ELEVATIONS		
	Ministry of Transportation and Highways	Drawing No. MS314.1

V:\PDS\1\0\DRWG\STANDARDS\MTR\ MATERIAL STANDARDS\MTR\ MATERIAL STANDARDS\TRAFFIC SIGNAL POLES\MS314.1.DWG User: wshah 20/12/14 9:15:15