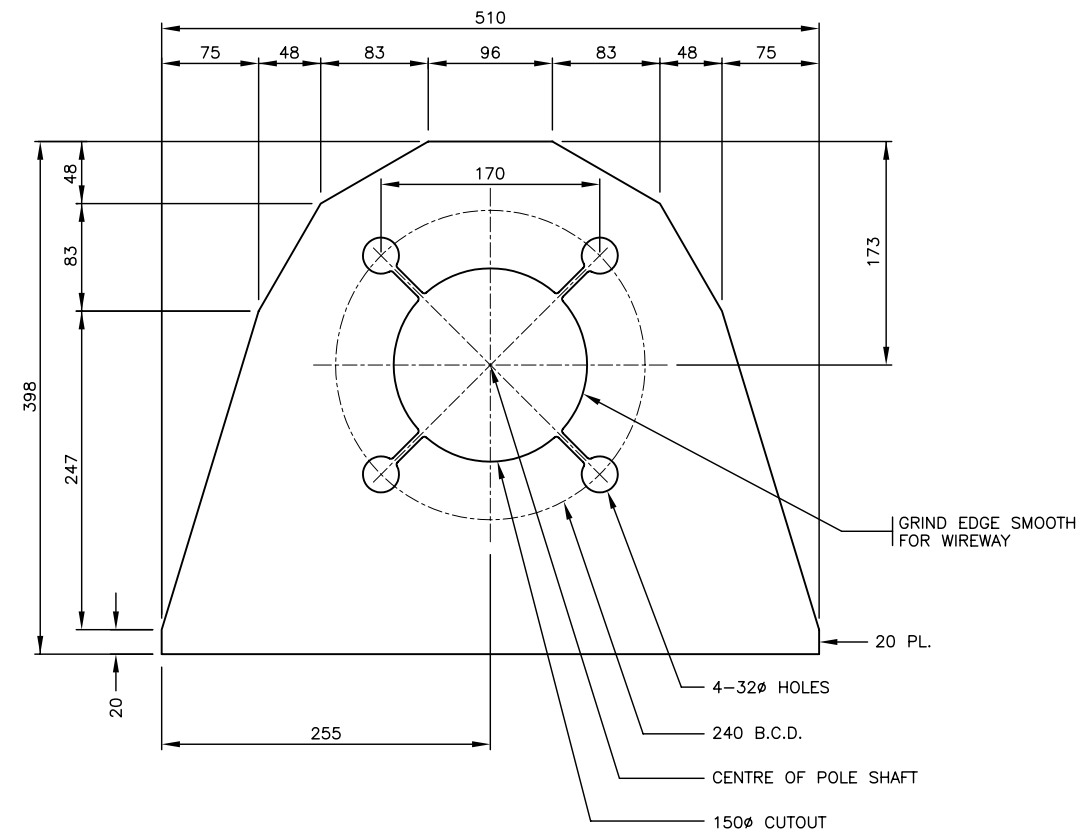
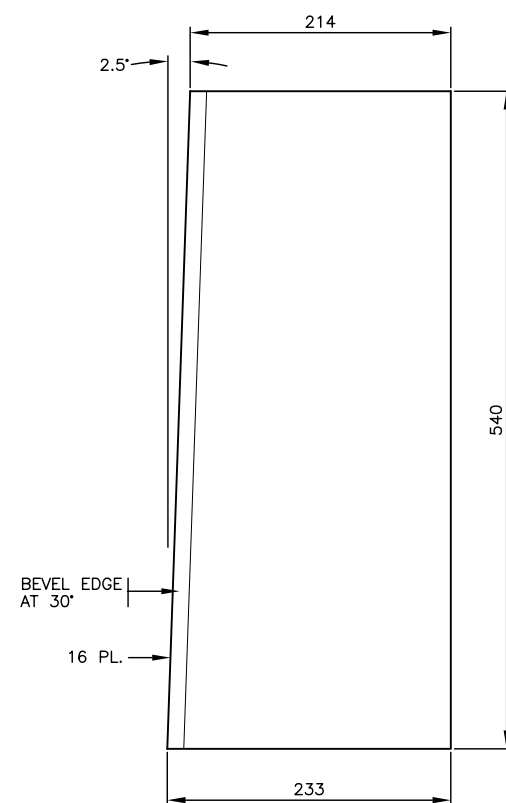


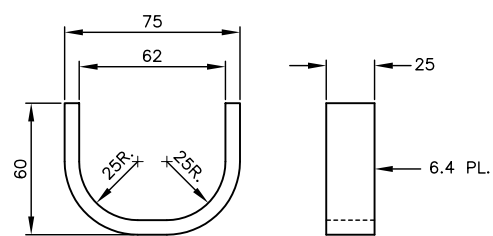
ARM FLANGE



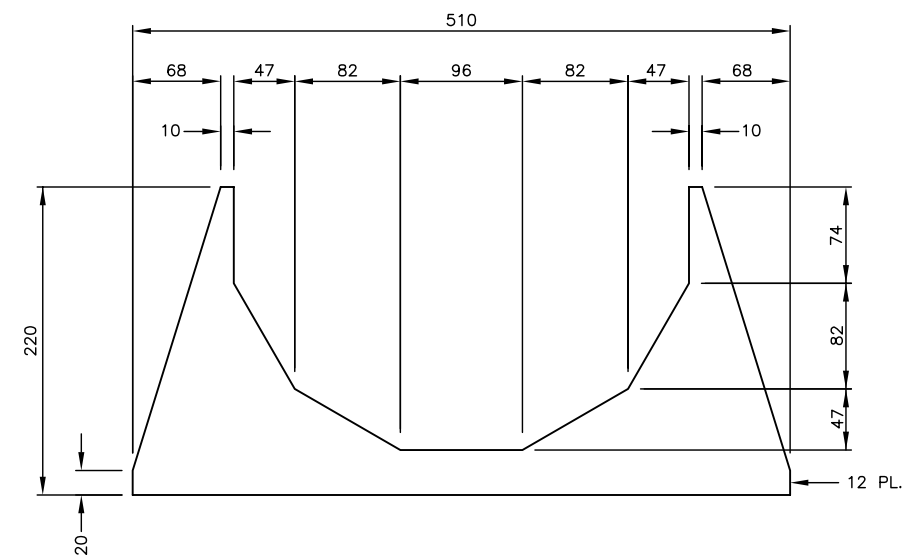
TOP FLANGE



SIDE PLATE
2 REQUIRED



NUT RETAINERS
8 REQUIRED



BOTTOM PLATE

SEE DRAWING MS313.1 FOR NOTES

NOT TO SCALE

No.	Description	Date
J		
I		
H		
G		
F		
E		
D		
C		
B		
A		

REVISION

TYPE H SHAFTS, ARMS AND EXTENSIONS

ARM FLANGE DETAILS



Ministry of
Transportation
and Highways

Drawing No.
MS313.4