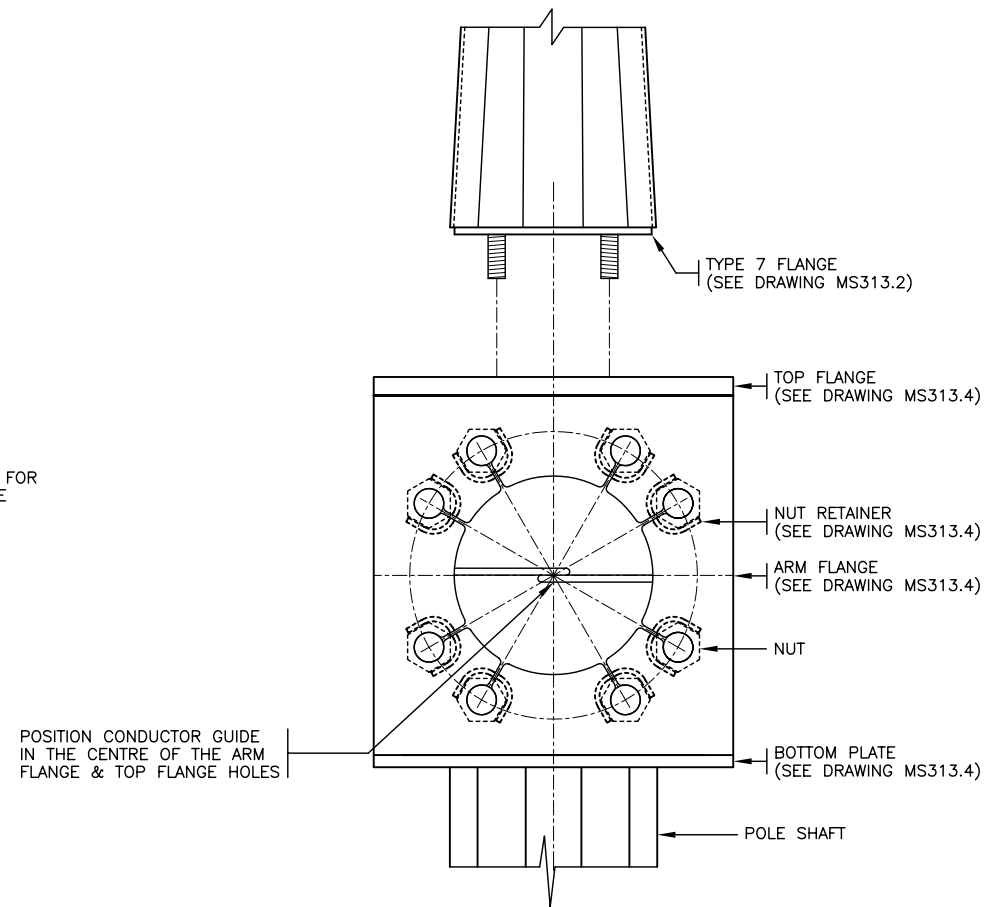
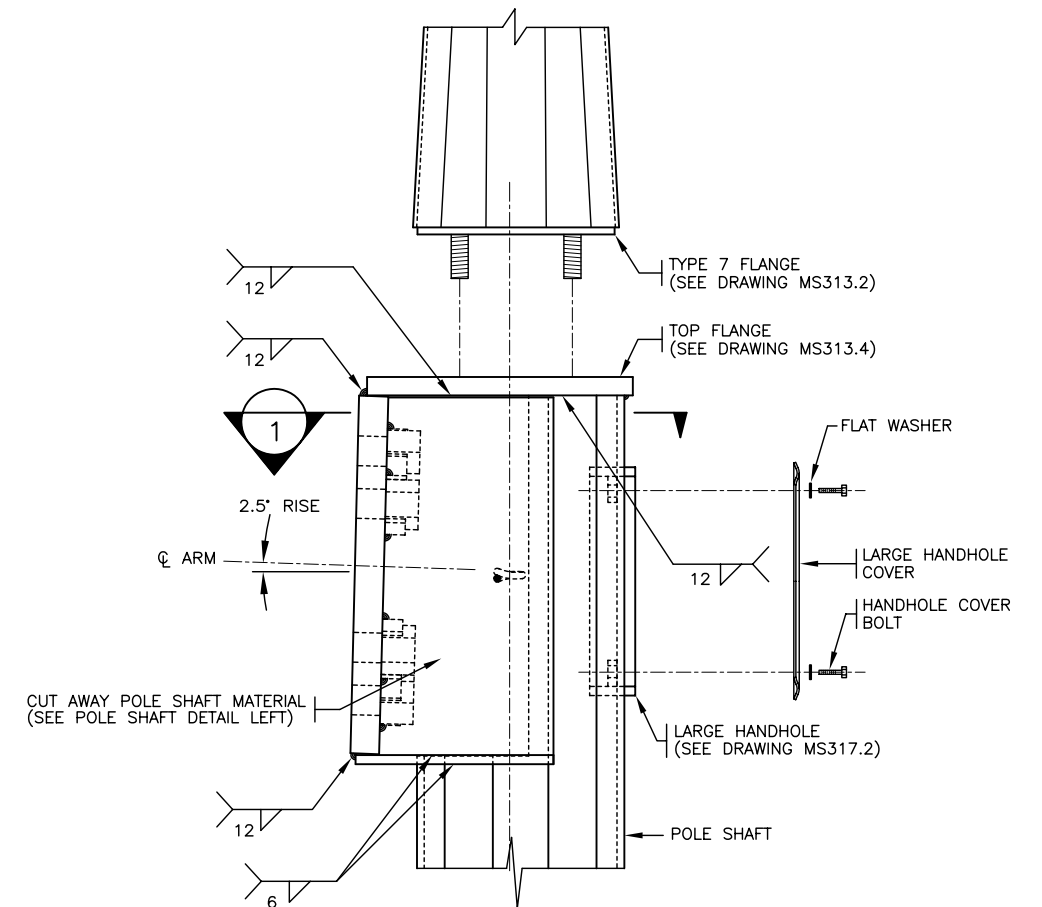


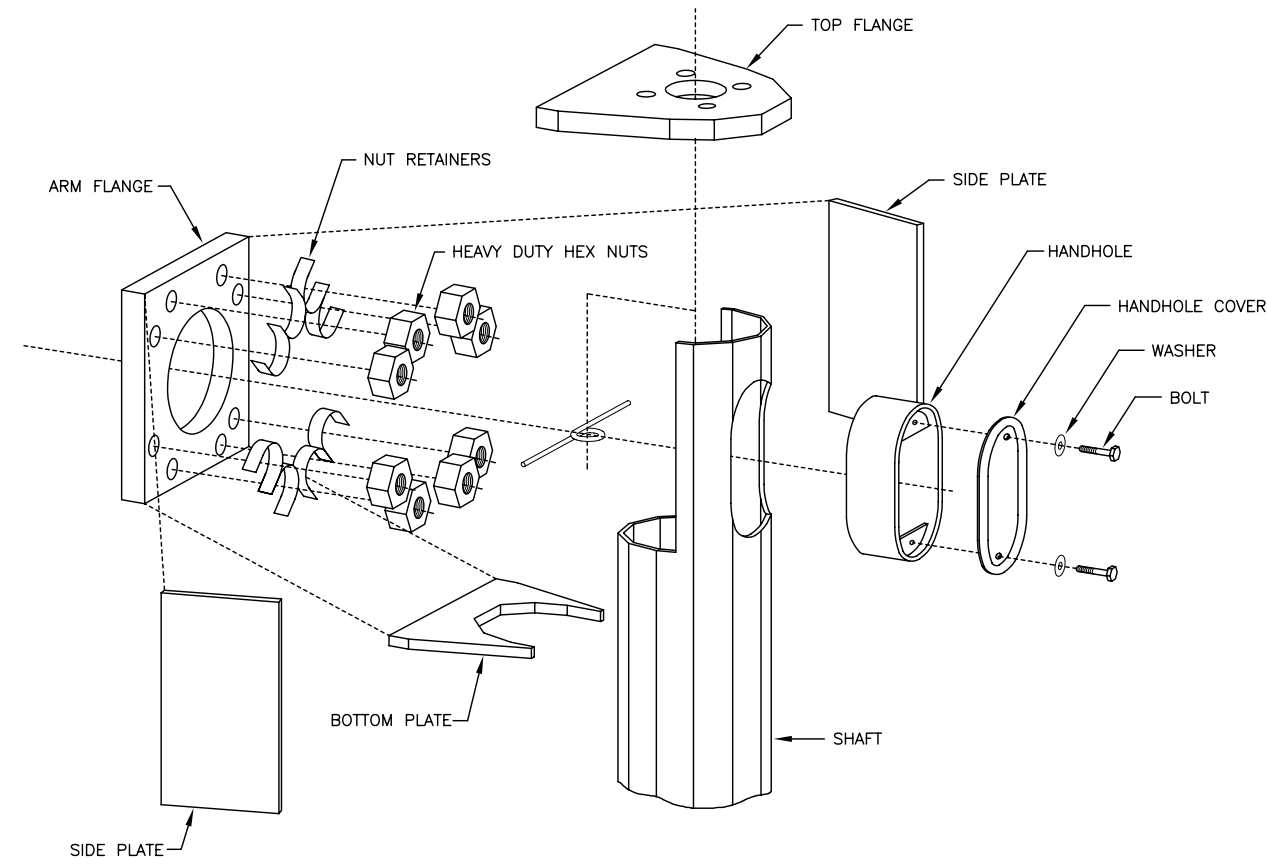
**POLE SHAFT**



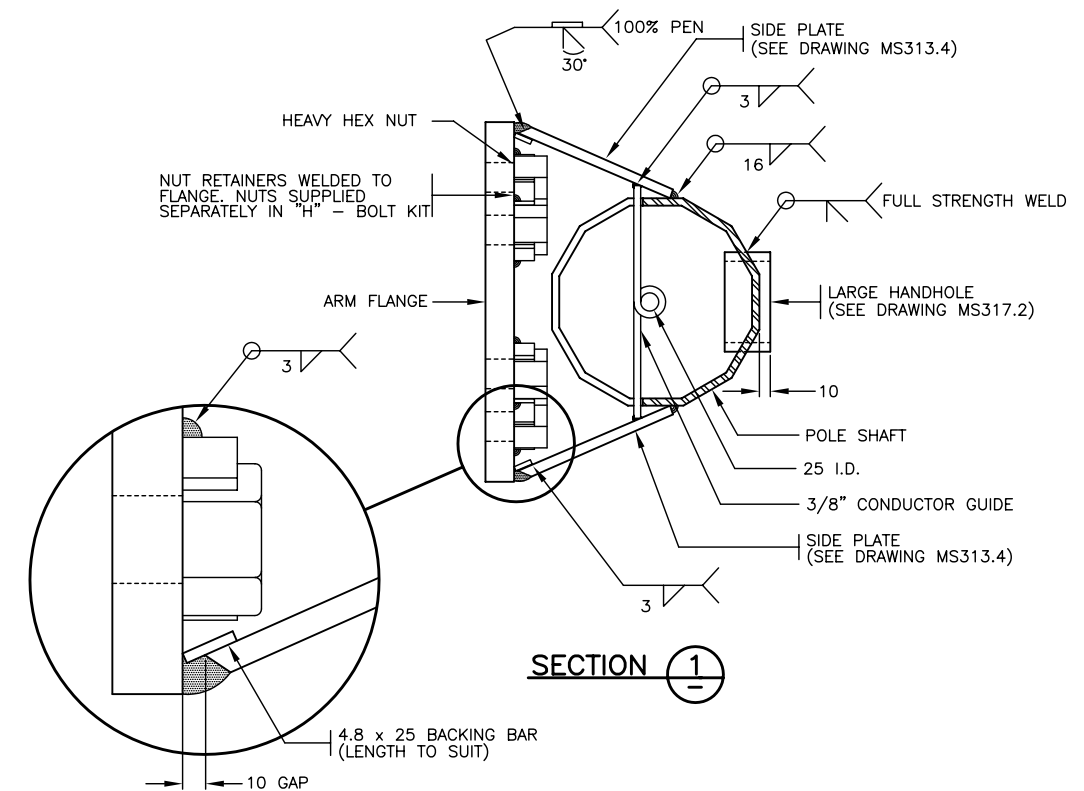
**DETAIL B - FRONT VIEW**



**DETAIL B - SIDE VIEW**



**ISOMETRIC ASSEMBLY VIEW**



SEE DRAWING MS313.1 FOR NOTES

NOT TO SCALE

No.	Description	Date
J		
I		
H		
G		
F		
E		
D		
C		
B		
A		

**TYPE H SHAFTS, ARMS AND EXTENSIONS**

**ARM FLANGE DETAILS**



Ministry of Transportation and Highways

Drawing No.

**MS313.3**

REVISION