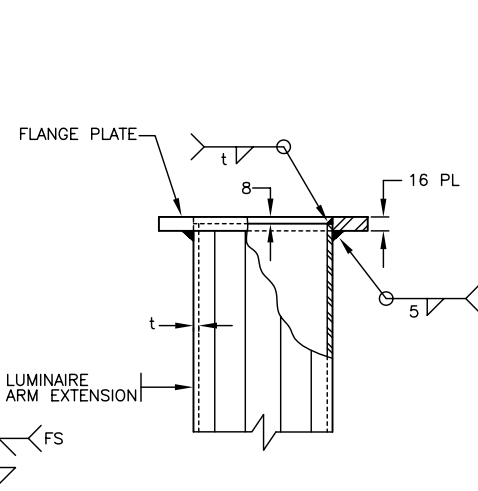
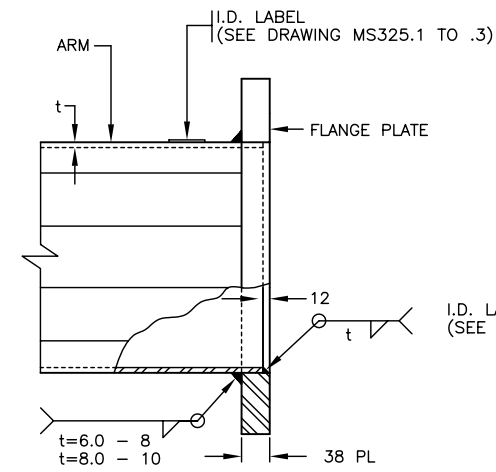


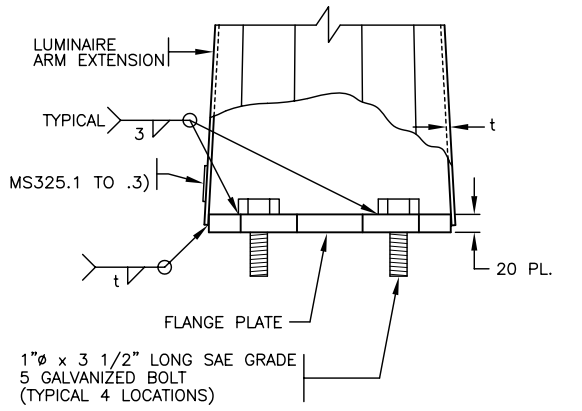
TYPE (H) SHAFT BASE - SIDE VIEW



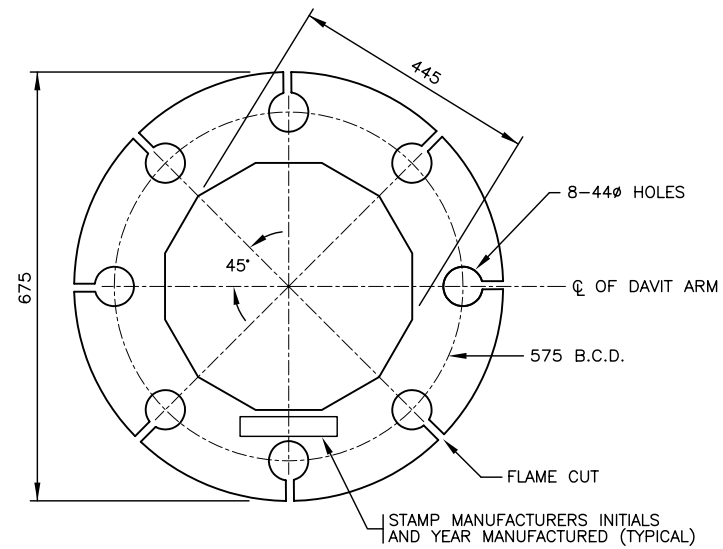
TYPE 1A FLANGE WELDING DETAILS



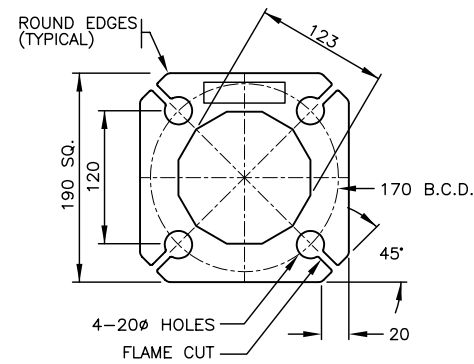
TYPE 6 FLANGE WELDING DETAILS



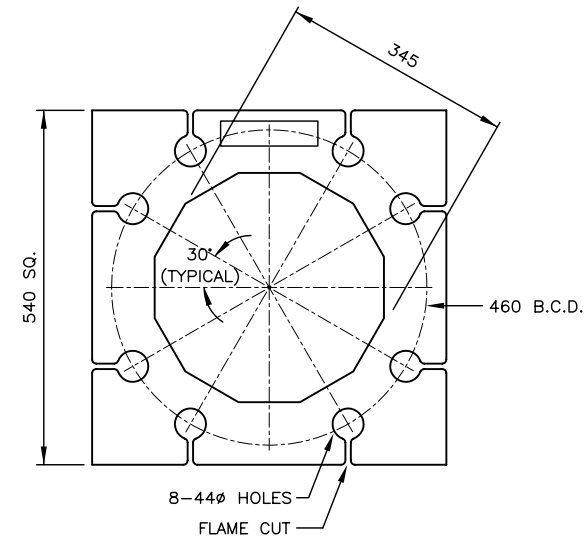
TYPE 7 FLANGE WELDING DETAILS



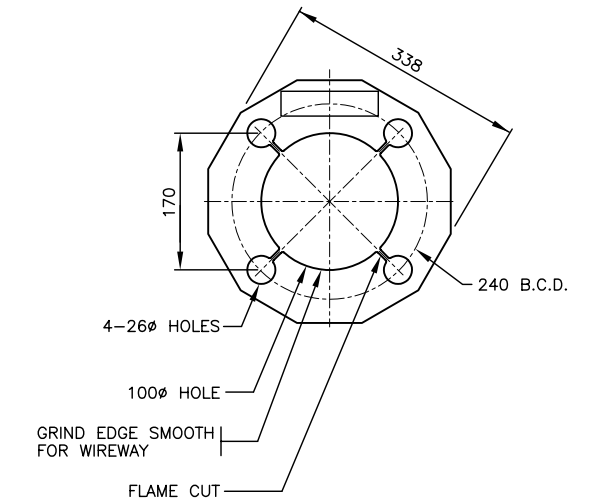
TYPE (H) BASE PLATE - PLAN VIEW



TYPE 1A FLANGE - PLAN VIEW



TYPE 6 FLANGE - PLAN VIEW



TYPE 7 FLANGE - PLAN VIEW

SEE DRAWING MS313.1 FOR NOTES

NOT TO SCALE

No.	Description	Date
J		
I		
H		
G		
F		
E		
D		
C		
B		
A		

TYPE H SHAFTS, ARMS AND EXTENSIONS

BASE PLATE AND FLANGE DETAILS



Ministry of
Transportation
and Highways

Drawing No.

MS313.2

REVISION