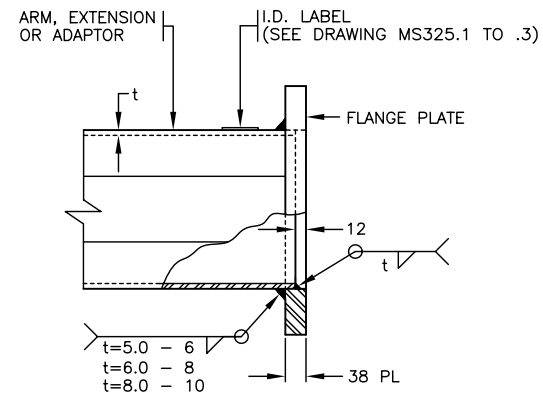
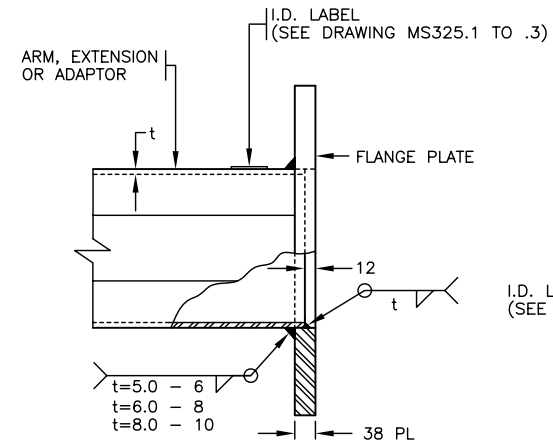


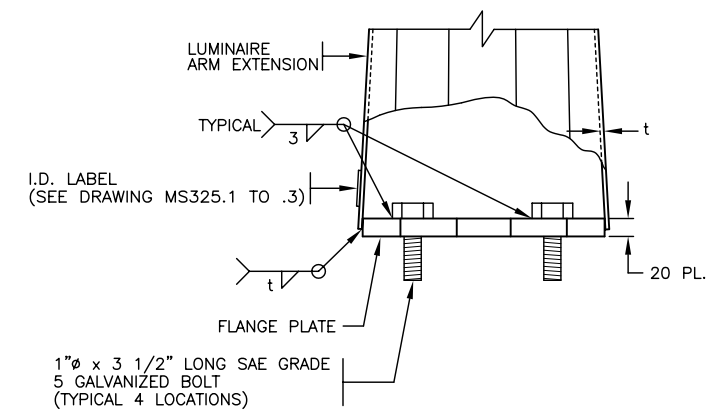
**TYPE 1A FLANGE  
WELDING DETAILS**



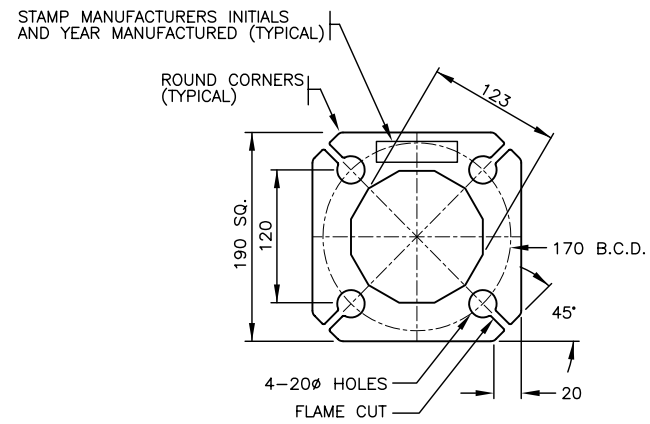
**TYPE 2 FLANGE  
WELDING DETAILS**



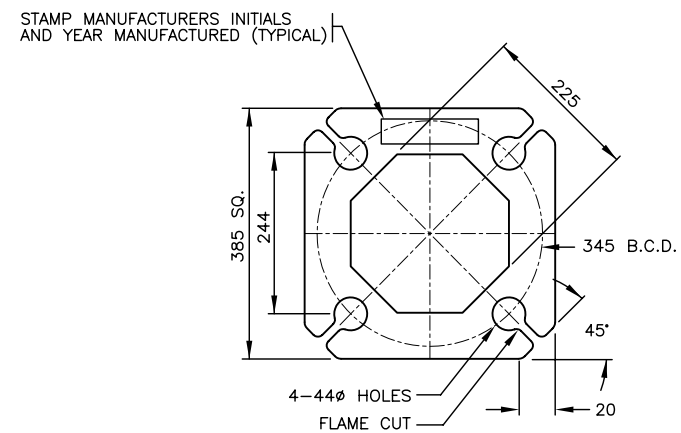
**TYPE 4 FLANGE  
WELDING DETAILS**



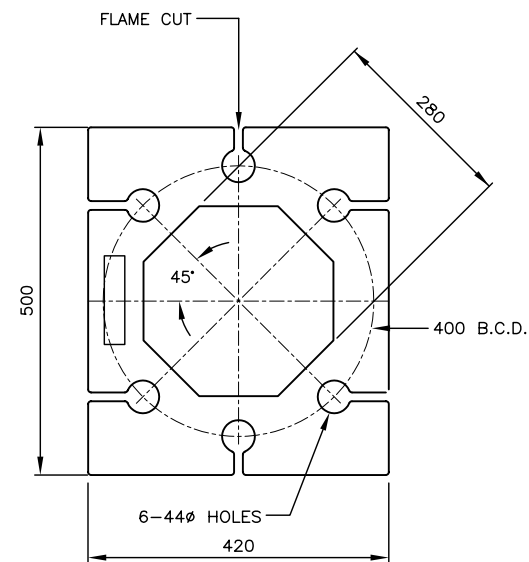
**TYPE 5 FLANGE  
WELDING DETAILS**



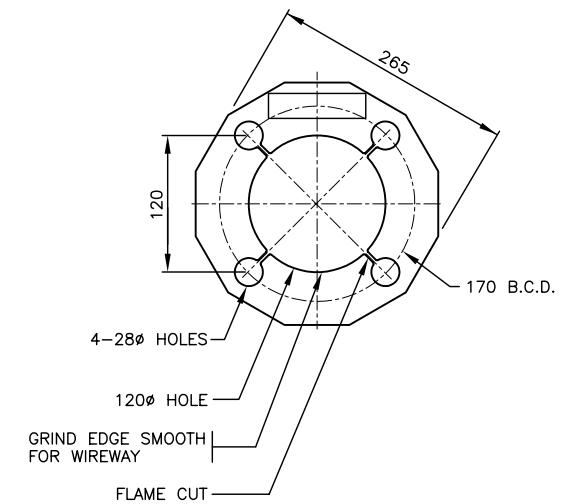
**TYPE 1A FLANGE - PLAN VIEW**



**TYPE 2 FLANGE - PLAN VIEW**



**TYPE 4 FLANGE - PLAN VIEW**



**TYPE 5 FLANGE - PLAN VIEW**

SEE DRAWING MS312.1 FOR NOTES

NOT TO SCALE

No.	Description	Date
J		
I		
H		
G		
F		
E		
D		
C		
B		
A		
REVISION		

**TYPE M SHAFTS, ARMS AND EXTENSIONS**

**FLANGE DETAILS**



Ministry of  
Transportation  
and Highways

Drawing No.  
**MS312.3**