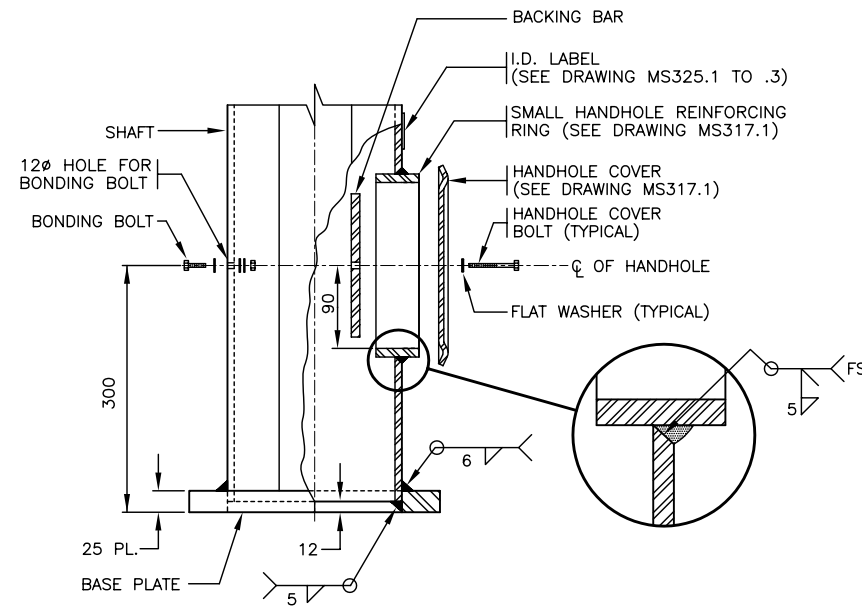
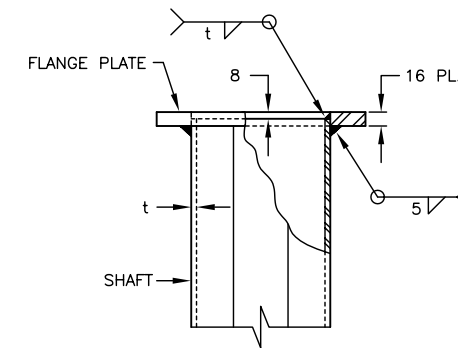


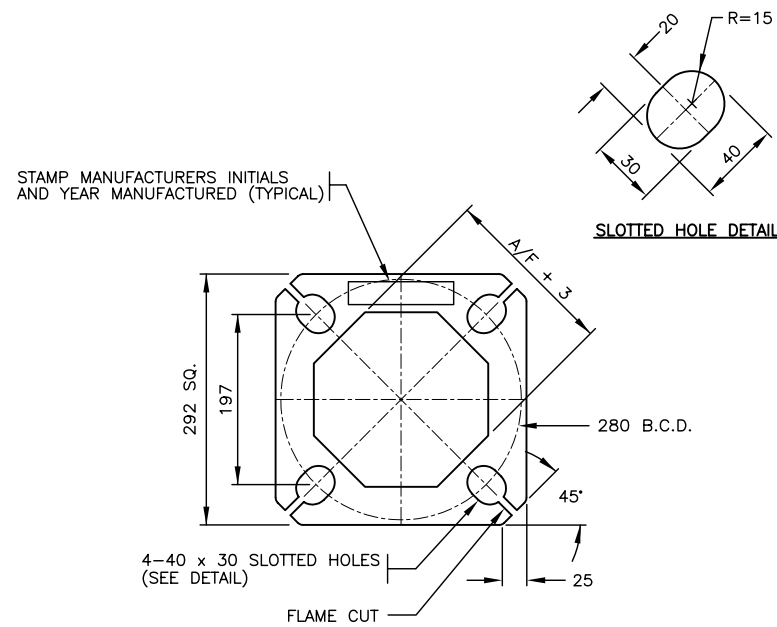
TYPE 2 SHAFT BASE – SIDE VIEW
FOR 5.0 m, 6.5 m & 8.5 m SHAFTS



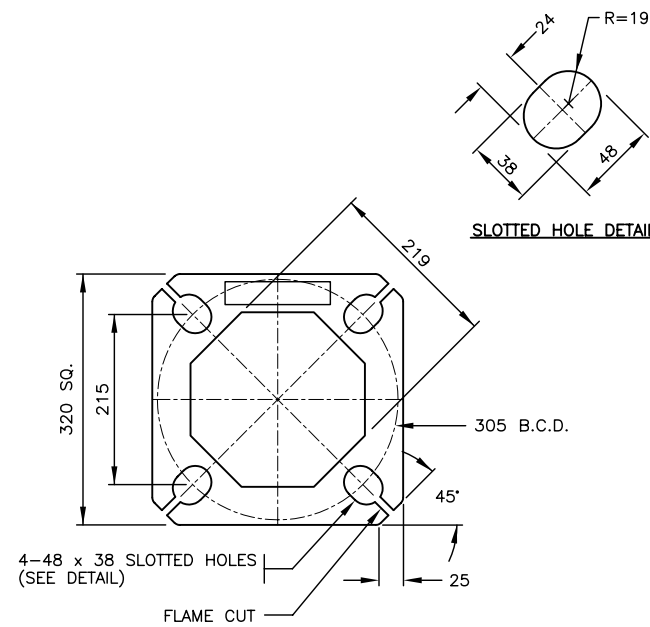
TYPE 2 SHAFT BASE – SIDE VIEW
FOR 11.0 m SHAFT



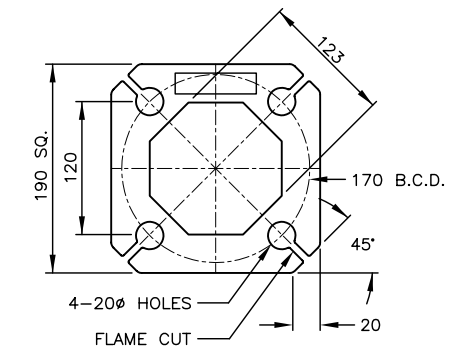
TYPE 1 FLANGE WELDING DETAILS



TYPE 2 BASE PLATE – PLAN VIEW
FOR 5.0 m, 6.5 m & 8.5 m SHAFTS



TYPE 2 BASE PLATE – PLAN VIEW
FOR 11.0 m SHAFT



TYPE 1 FLANGE – PLAN VIEW

SEE DRAWING MS310.1 FOR NOTES

NOT TO SCALE

No.	Description	Date
J		
I		
H		
G		
F		
E		
D		
C		
B		
A		

TYPE 2 SHAFTS AND ARMS	
POLE BASE AND FLANGE DETAILS	
	Drawing No. MS310.2

REVISION