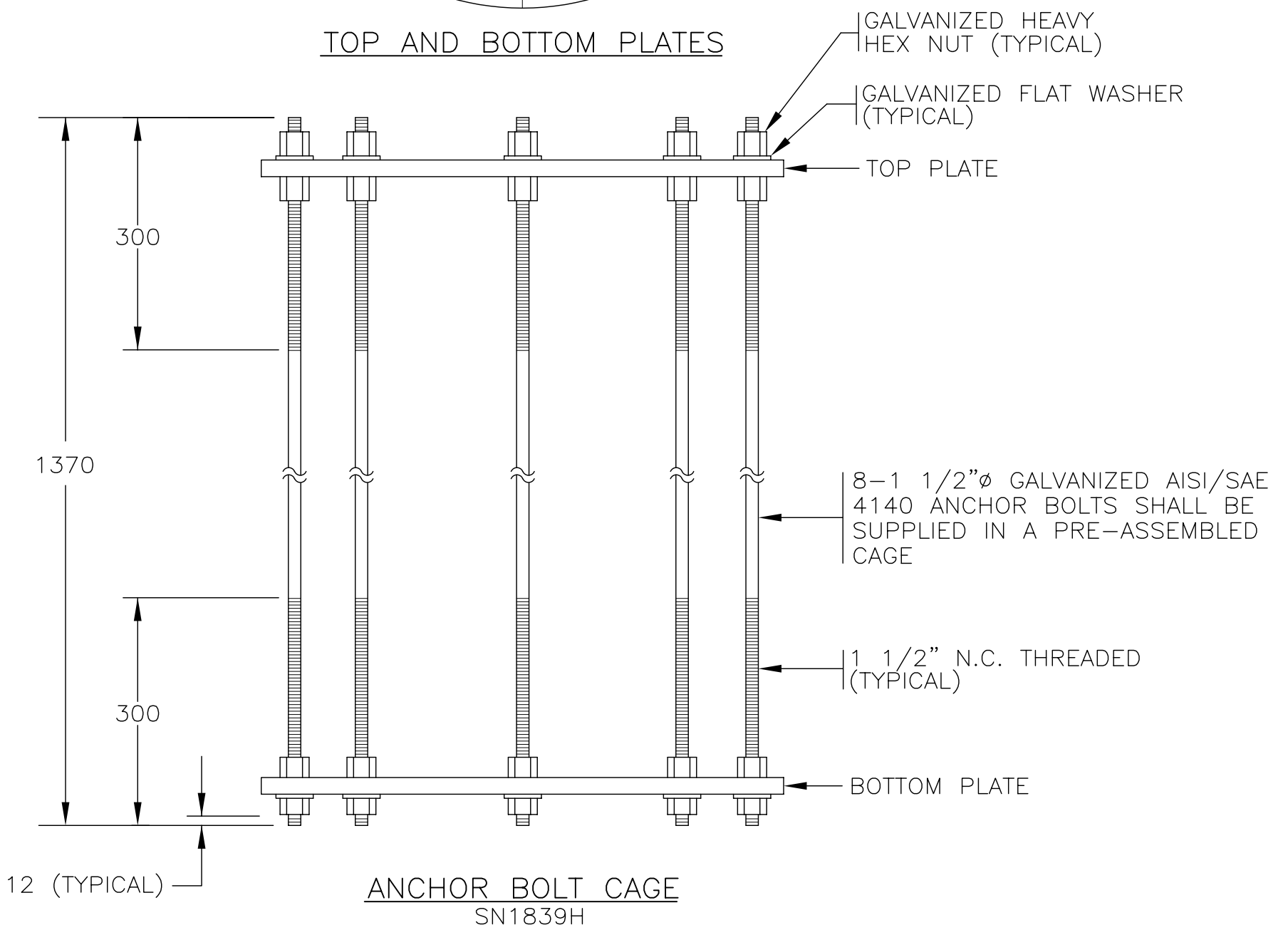


TOP AND BOTTOM PLATES



ANCHOR BOLT CAGE
SN1839H

APPROXIMATE MASS
190 kg

NOTES:

1. SEE MATERIAL STANDARD SPECIFICATIONS CHAPTER 301 – TRAFFIC SIGNALS, LUMINAIRE AND SIGN POLE STRUCTURES FOR ADDITIONAL INFORMATION.
2. ALL DIMENSIONS ARE IN MILLIMETRES UNLESS OTHERWISE NOTED.
3. 'SN' DENOTES MINISTRY STOCK NUMBER.

SCALE 1:10

No.	Revision	Date
F		
E		
D		
C		
B		
A		

TYPE H ANCHOR BOLT CAGE DETAILS



**BRITISH
COLUMBIA**

**Ministry of
Transportation
and Highways**

SPECIFICATION
DRAWING No.
MS300.6