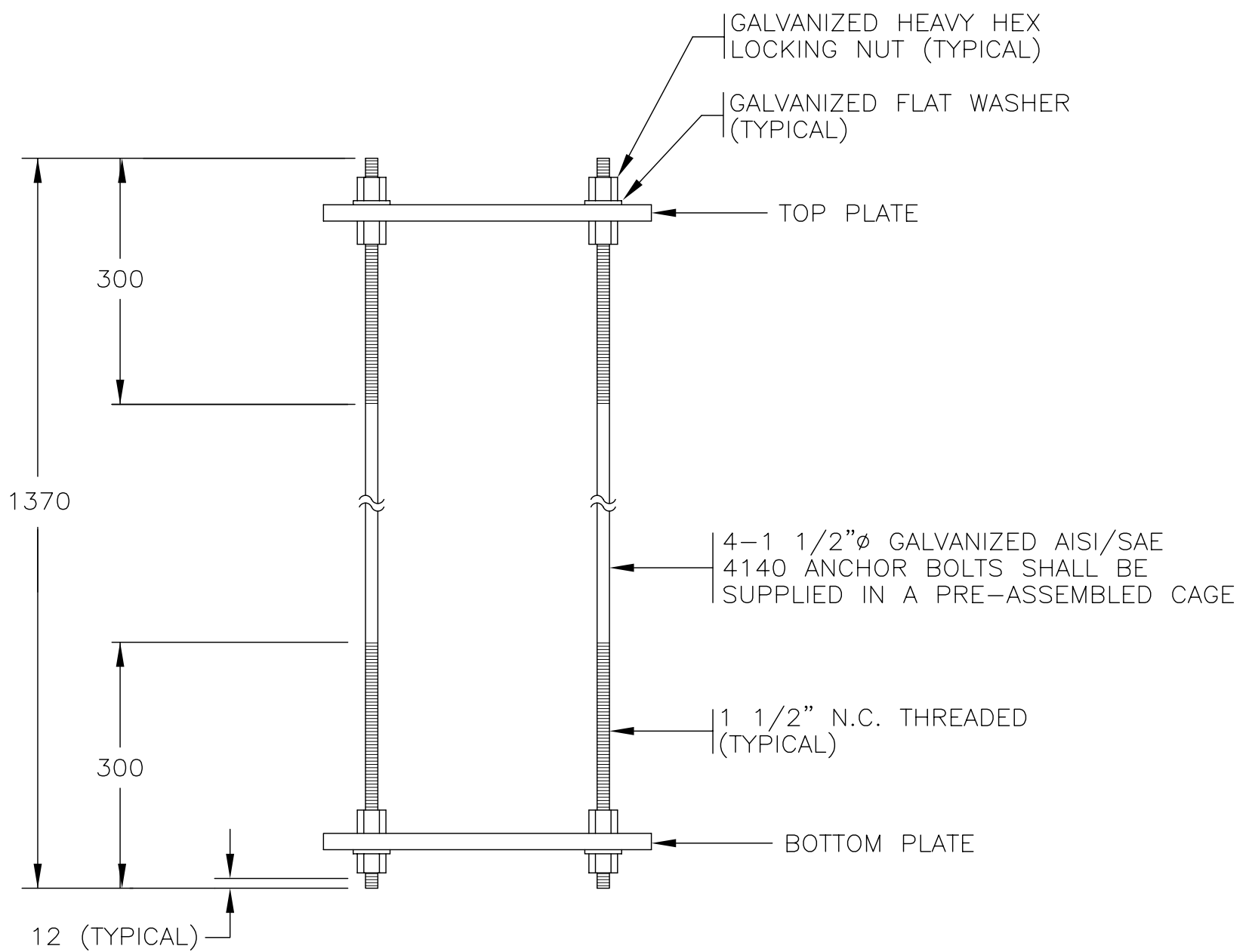


TOP AND BOTTOM PLATES




ANCHOR BOLT CAGE
SN1839L

| |
|---------------------|
| APPROXIMATE MASS |
| 95 kg |

NOTES:

1. SEE MATERIAL STANDARD SPECIFICATIONS CHAPTER 301 - TRAFFIC SIGNALS, LUMINAIRE AND SIGN POLE STRUCTURES FOR ADDITIONAL INFORMATION.
2. ALL DIMENSIONS ARE IN MILLIMETRES UNLESS OTHERWISE NOTED.
3. 'SN' DENOTES MINISTRY STOCK NUMBER.

SCALE 1:10

| No. | Revision | Date | TYPE L ANCHOR BOLT CAGE DETAILS | |
|-----|----------|------|---|--|
| F | | |  BRITISH COLUMBIA | Ministry of Transportation and Highways |
| E | | | | |
| D | | | | |
| C | | | | |
| B | | | | |
| A | | | | |
| | | | SPECIFICATION DRAWING No. MS300.4 | |