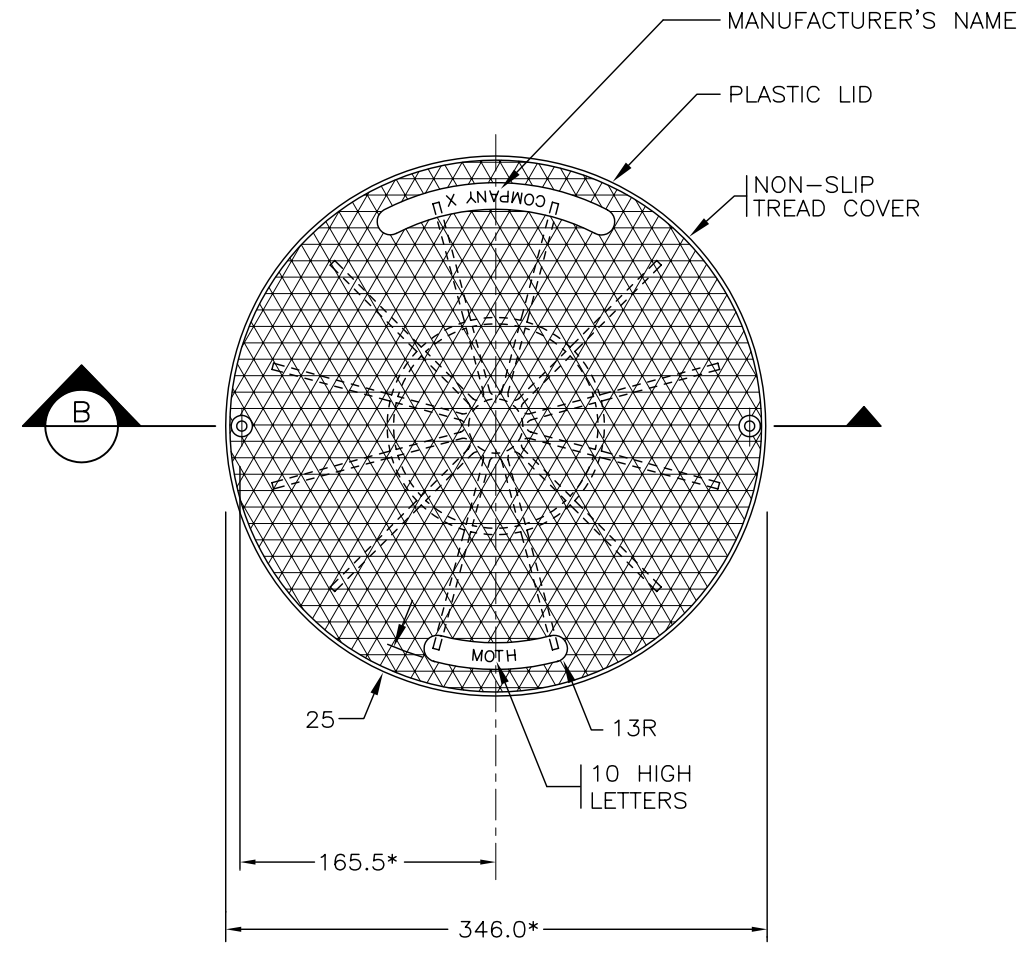


SECTION (B)
1:5



ROUND PLASTIC LID
1:5

* - INDICATES 0.5% TOLERANCE

SEE DRAWING MS203.1 FOR ADDITIONAL NOTES.

SMALL ROUND PLASTIC JUNCTION BOX
PLASTIC LID DETAILS