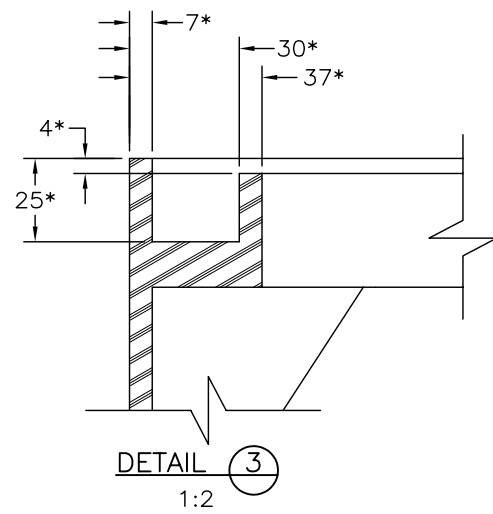


SECTION (B)
1:5



DETAIL (3)
1:2

* - INDICATES 0.5% TOLERANCE

SEE DRAWING MS201.1 FOR ADDITIONAL NOTES.

RECTANGULAR PLASTIC JUNCTION BOX
SECTION (B)