

- NOTES:**
- DESIGN SPECIFICATION: - BC MoT SUPPLEMENT TO TAC GEOMETRIC DESIGN - HANDBOOK OF STEEL DRAINAGE AND HIGHWAY CONSTRUCTION PRODUCTS
 - DESIGN LOADS: LIVE LOAD - BCL 625
 - DESIGN SPEED: 50kmh.
 - Q_{100} DESIGN FLOOD = $6m^3/s$
 - CONSTRUCT CSP WITH 50mm CAMBER ALONG 27m LENGTH PRIOR TO BACK FILL LOADING.
 - ALL CONCRETE TO HAVE A MINIMUM COMPRESSIVE STRENGTH OF 20 MPa AT 28 DAYS.

- CSP INSTALLATION NOTES:**
- IF ANY DISCREPANCY EXISTS BETWEEN THE NOTES INDICATED HERE AND THE MANUFACTURERS INSTRUCTIONS, THEN THE MANUFACTURERS INSTRUCTIONS SHALL APPLY.
 - SHAPE CHECKS SHALL BE PERFORMED DURING AND AFTER CONSTRUCTION TO ENSURE THAT THE ERECTED SHAPE IS CORRECT.
 - THE MANUFACTURERS REPRESENTATIVE SHALL PROVIDE ON-SITE TECHNICAL ASSISTANCE DURING ALL PHASES OF INSTALLATION AND BACKFILLING.
 - BACKFILLING SHALL BE PLACED EQUALLY ON BOTH SIDES OF THE STRUCTURE IN UNCOMPACTED LIFTS NOT EXCEEDING 150mm. NOMORE THAN ONE LIFT DIFFERENCE ON EACH SIDE.
 - BEDDING AND BACKFILLING SHALL BE COMPACTED TO A MINIMUM 95% OF THE LABORATORY DENSITY BY FOLLOWING THE CURRENT ASTM METHOD D698.
 - FOR ADDITIONAL CSP PIPE INFORMATION SEE SPECIAL PROVISION AND STAND. SPEC. FOR HIGHWAY CONSTRUCTION, SECTIONS 303 & 320.

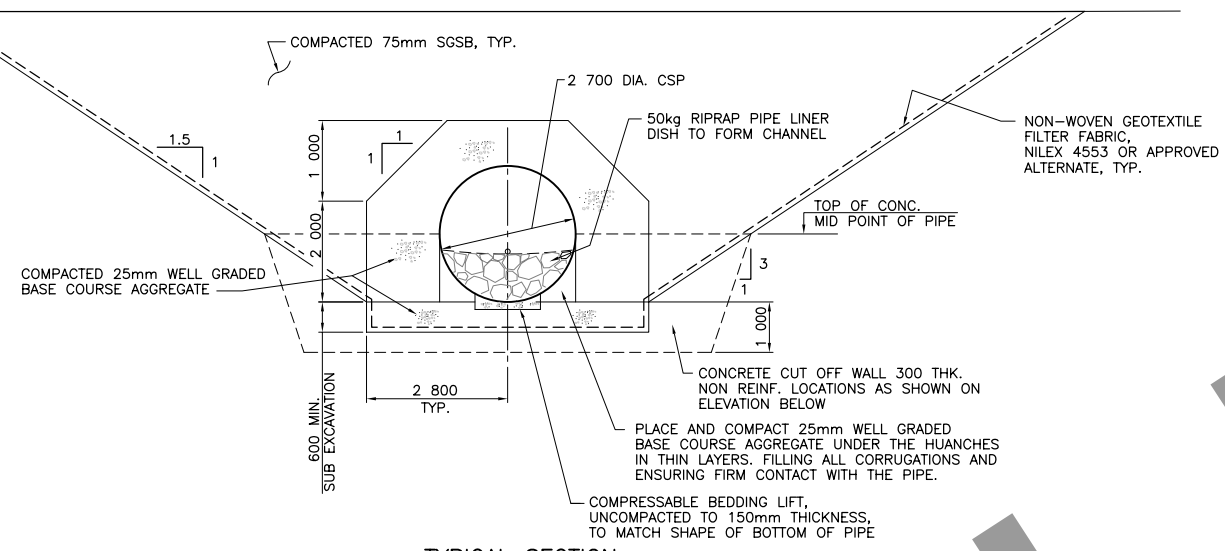
Rev	Date	Description	Init
A	06/24/08	ISSUED FOR SUPPLY OF CSP	
B	07/10/08	INVERT ELEVATIONS	

REVISIONS

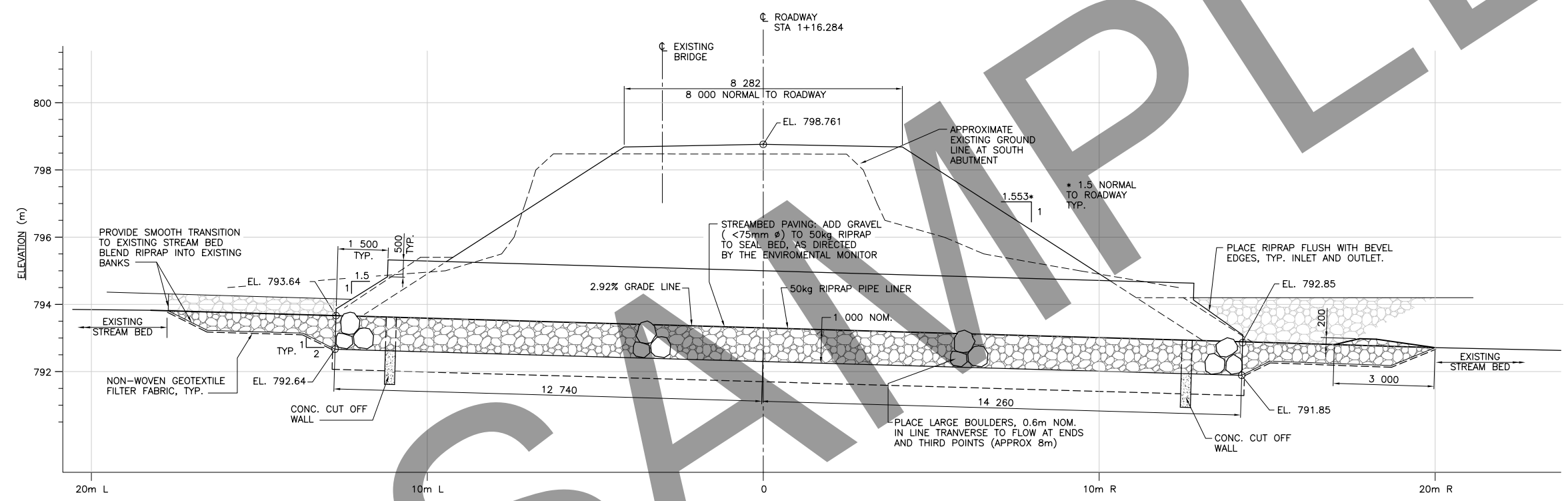


CARIBOO HIGHWAYS DISTRICT
 GARNER ROAD
JOHN CREEK BRIDGE
 GENERAL ARRANGEMENT SHEET No.1

PREPARED UNDER THE DIRECTION OF		DESIGNED _____ DATE _____
		CHECKED _____ DATE _____
		DRAWN _____ DATE _____
		SCALE AS NOTED
		NEGATIVE No. _____
ENGINEER OF RECORD _____	REG. _____	DRAWING No. 8179-2
DATE _____	FILE No. _____	PROJECT No. _____



TYPICAL SECTION
SCALE 1:75



STREAM BED PROFILE
SCALE 1:75

Rev	Date	Description	Init
A	06/24/08	ISSUED FOR SUPPLY OF CSP	
B	07/10/08	INVERT ELEVATIONS, COMPACTION NOTE	

REVISIONS



BRITISH COLUMBIA

Ministry of Transportation
Southern Interior Region

CARIBOO HIGHWAYS DISTRICT
GARNER ROAD
JOHN CREEK BRIDGE
GENERAL ARRANGEMENT SHEET No.2

PREPARED UNDER THE DIRECTION OF	DESIGNED _____ DATE _____
ENGINEER OF RECORD	CHECKED _____ DATE _____
DATE	DRAWN _____ DATE _____
FILE No.	SCALE AS NOTED
PROJECT No.	NEGATIVE No.
REG.	DRAWING No.
	8179-3