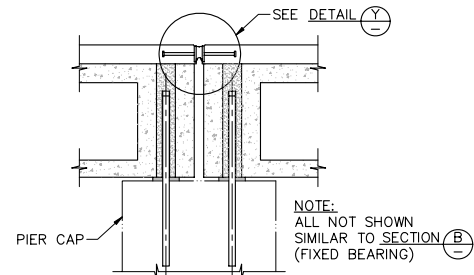
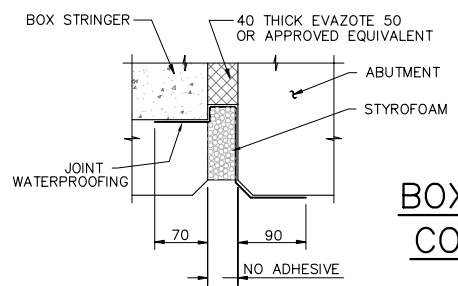
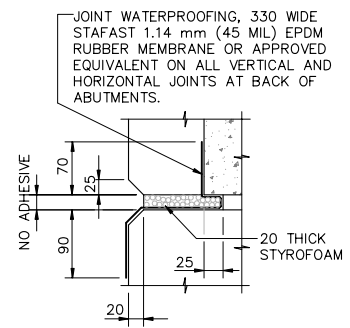
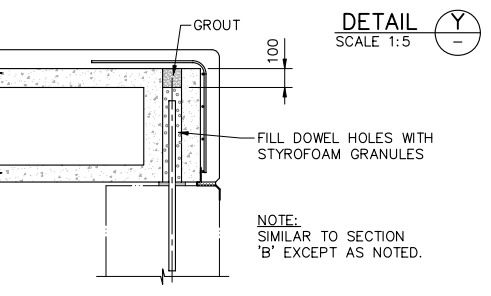
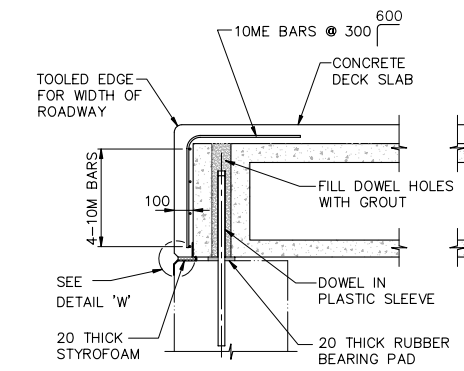
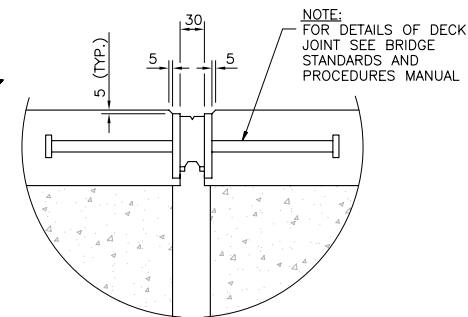
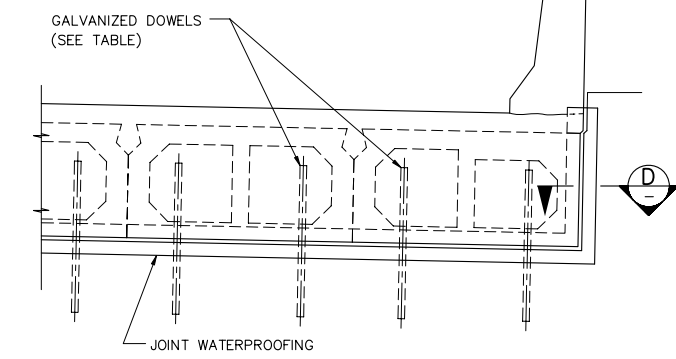


PLAN
SCALE 1:100
(SINGLE SPAN SHOWN)

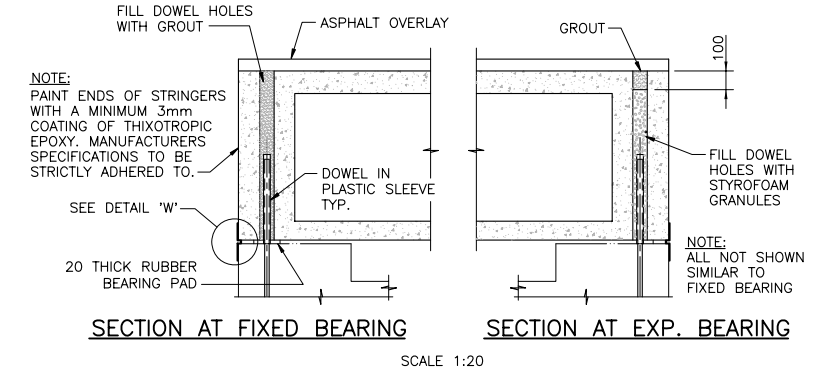
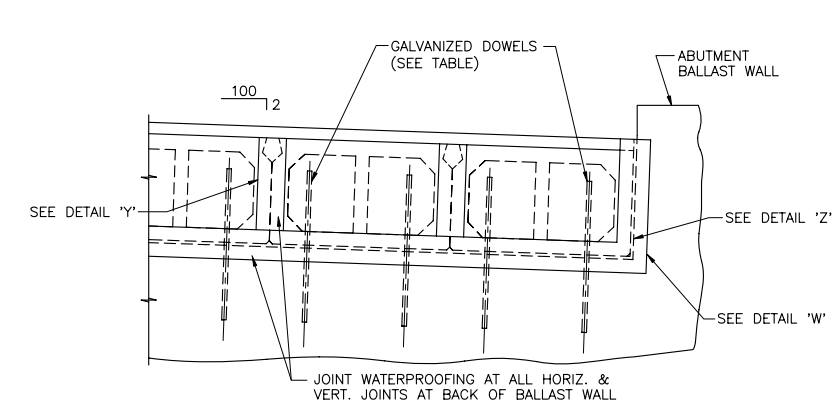
DOWELS		
BOX	LENGTH	EMBEDMENT
Mk. 500	800	500
Mk. 600	900	500
Mk. 700	1 000	500



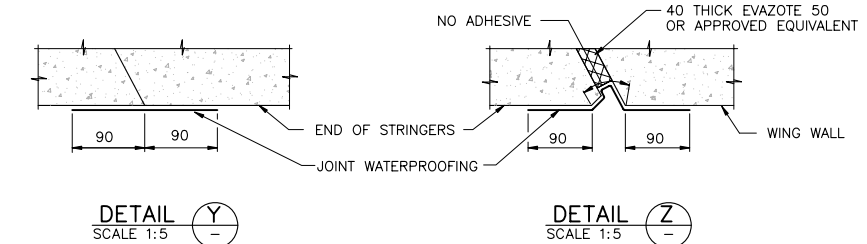
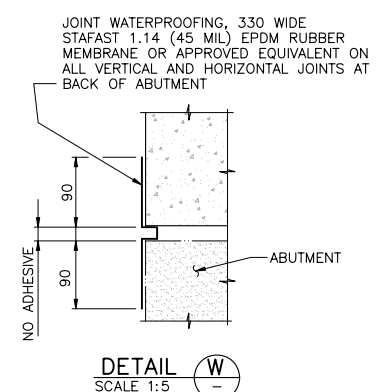
TYPICAL SECTION AT DECK JOINT
(MULTIPLE SPANS ONLY)
SCALE 1:20



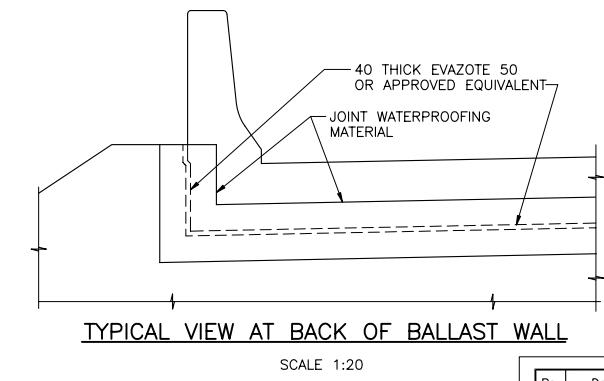
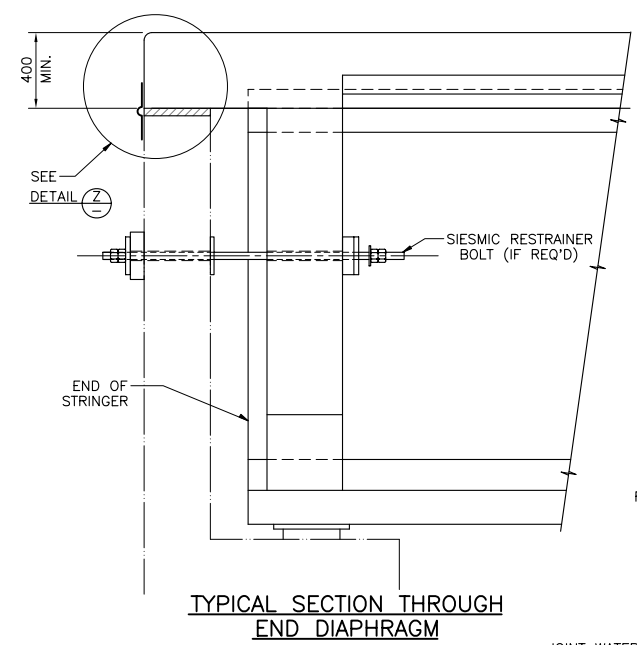
REFERENCE DETAILS FOR BOX STRINGERS WITH CONCRETE OVERLAY



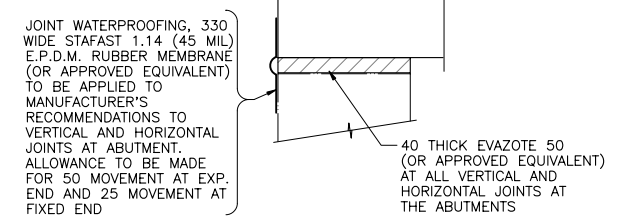
DOWELS		
BOX	LENGTH	EMBEDMENT
Mk. 500	800	500
Mk. 600	900	500
Mk. 700	1 000	500



REFERENCE DETAILS FOR BOX STRINGERS WITH ASPHALT OVERLAY



REFERENCE DETAILS FOR PUSH THROUGH DECK



Rev	Date	Description	Init
A	MAR 8/95	UPDATED	RYC
B	MAR 07	GENERAL REVISIONS	WHK

REVISIONS



Ministry of Transportation
Bridge Engineering

REFERENCE DETAILS

PREPARED UNDER THE DIRECTION OF	DESIGNED _____ DATE _____
ENGINEER OF RECORD CHIEF BRIDGE ENGINEER	CHECKED _____ DATE _____
DATE _____	DRAWN _____ DATE _____
FILE No. _____	PROJECT No. _____
REG. _____	SCALE AS NOTED
	NEGATIVE No. _____
	DRAWING No. D206