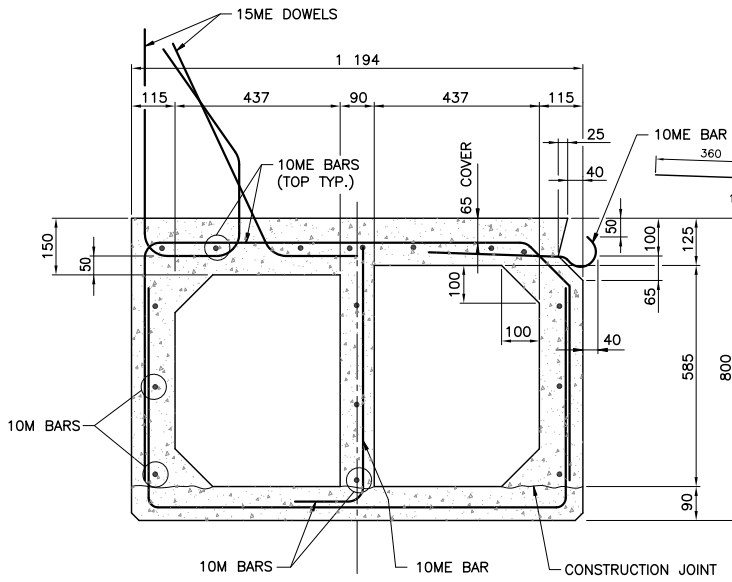
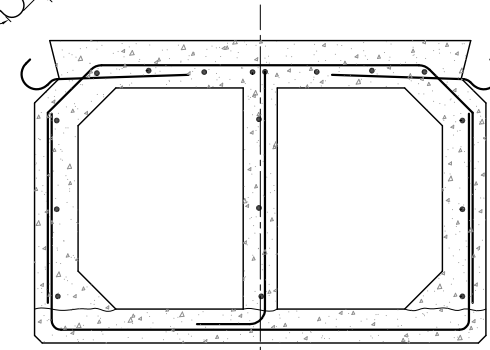


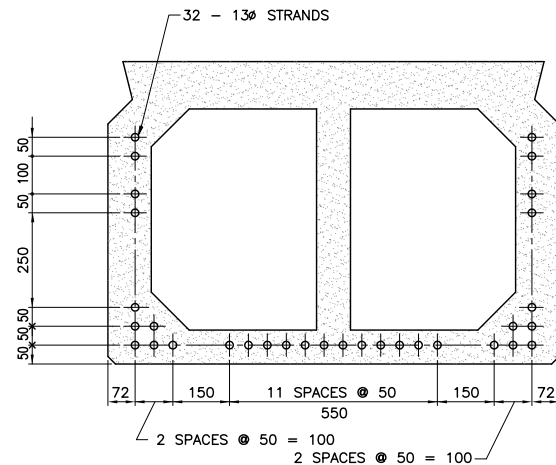
ELEVATION
EXTERIOR STRINGER (AS SHOWN)
INTERIOR STRINGER (SIMILAR EXCEPT AS NOTED)
 SCALE 1:20



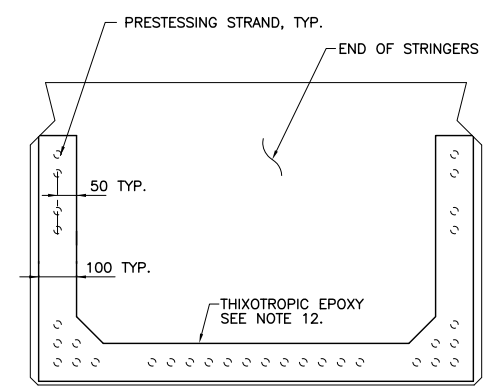
TYPICAL SECTION THROUGH EXTERIOR STRINGER
 SCALE 1:10



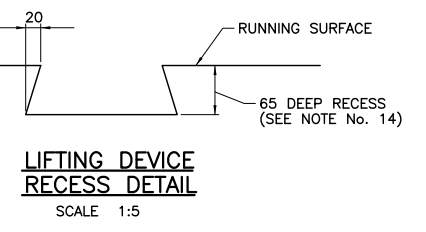
TYPICAL SECTION THROUGH INTERIOR STRINGER
 SCALE 1:10



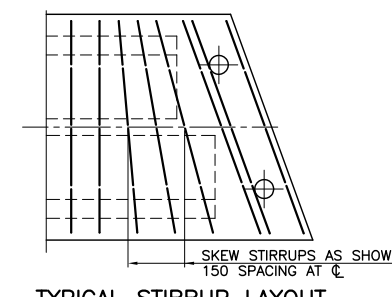
PRESTRESSING STRAND LAYOUT
 SCALE 1:10



THIXOTROPIC EPOXY LAYOUT
 SCALE 1:10

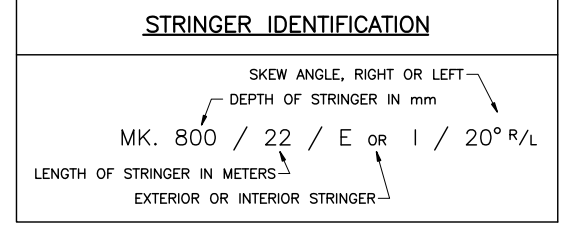


LIFTING DEVICE RECESS DETAIL
 SCALE 1:5



TYPICAL STIRRUP LAYOUT AT GIRDER ENDS

ESTIMATED MASS	
STRINGER MK. 800/22/E/20°	29 020 kg
STRINGER MK. 800/22/I/20°	28 090 kg



- NOTES**
- DESIGN SPECIFICATIONS: CAN/CSA-S6-06. BC MoT SUPPLEMENT TO S6-06.
 - DESIGN LOAD: LIVE LOAD: CL- 625 & BCL-625. DEAD LOAD: DESIGNED FOR 100mm CONCRETE OVERLAY.
 - STRINGERS SHALL BE MANUFACTURED IN ACCORDANCE WITH THE M.O.T. STANDARD SPECIFICATION 415: MANUFACTURE OF PRECAST AND PRESTRESSED CONCRETE MEMBERS.
 - PRESTRESSING STRANDS SHALL BE 130 (7 WIRE) UNCOATED LOW RELAXATION STRANDS, C.S.A. G279M-1982, 1862 MPa GRADE OR EQUIVALENT. MINIMUM ULTIMATE TENSILE STRENGTH = 184 kN/STRAND. STRAND TENSION IMMEDIATELY BEFORE RELEASE = 136.2 kN/STRAND.
 - CONCRETE: MINIMUM COMPRESSIVE STRENGTH OF CONCRETE AT TIME OF RELEASE OF STRANDS = 36MPa, AT 28 DAYS = 45MPa.
 - REINFORCING STEEL SHALL CONFORM TO C.S.A. G30.18M GRADE 400R.
 - REINFORCING STEEL SHALL HAVE 35mm MINIMUM COVER UNLESS OTHERWISE NOTED.
 - ALL REINFORCING MARKED "ME" IS EPOXY COATED.
 - LAP OF BARS FOR SPLICES TO BE AS FOLLOWS UNLESS NOTED OTHERWISE:
 10M BARS - 450
 10ME BARS - 600
 SPLICES TO BE STAGGERED.
 - BOTTOM EDGES OF STRINGERS SHALL BE CHAMFERED 20mm.
 - LIFTING DEVICES SATISFACTORY TO THE ENGINEER SHALL BE PROVIDED OVER THE BEARINGS. ONLY VERTICAL LIFTS WILL BE PERMITTED. CARE SHALL BE TAKEN TO PREVENT SUDDEN IMPACT LOADS ON THE STRINGERS.
 - ENDS OF PRESTRESSING STRANDS SHALL BE TREATED AS FOLLOWS:
 EMBEDDED IN CONCRETE: PAINTED WITH A GALVANIZING AGENT.
 EXPOSED: A MINIMUM 3mm COAT OF THIXOTROPIC EPOXY AS SHOWN. MANUFACTURERS INSTRUCTIONS TO BE STRICTLY ADHERED TO.
 - TOP OF BOXES SHALL HAVE A SAND BLASTED FINISH FOR CONCRETE OVERLAY AND FLOAT FINISH FOR NO OVERLAY OR MEMBRANE AND ASPHALT OVERLAY.
 - THE CONCRETE IMMEDIATELY SURROUNDING ALL LIFTING DEVICES SHALL HAVE A FORMED RECESS 65mm DEEP. THE RECESS SHALL BE THOROUGHLY SANDBLASTED IN THE SHOP. AFTER ERECTION, THE LIFTING DEVICE SHALL BE BURNT OFF AT THE BOTTOM OF THE RECESS AND THE RECESS SHALL BE PATCHED WITH AN APPROVED NON-SHRINK GROUT.

Rev	Date	Description	Init

DRAFT
FOR INFORMATION ONLY

REVISIONS

Ministry of Transportation & Infrastructure
Bridge Engineering

STANDARD TWIN CELL
CONCRETE BOX STRINGER
MK. 800/22/E/20° & MK. 800/22/I/20°

PREPARED UNDER THE DIRECTION OF	DESIGNED	IM	DATE 07-07-10
CHECKED	RM	DATE 07-07-10	
DRAWN	WHK	DATE 07-06-28	
SCALE	AS NOTED		
DATE	FILE No.	PROJECT No.	DRAWING No.
			2978-31