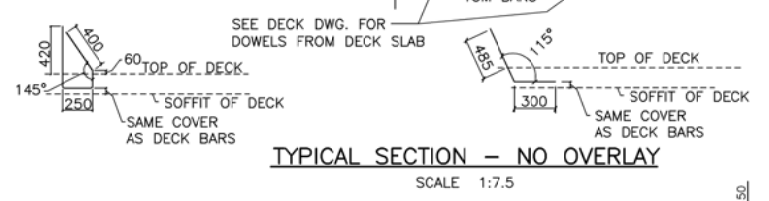
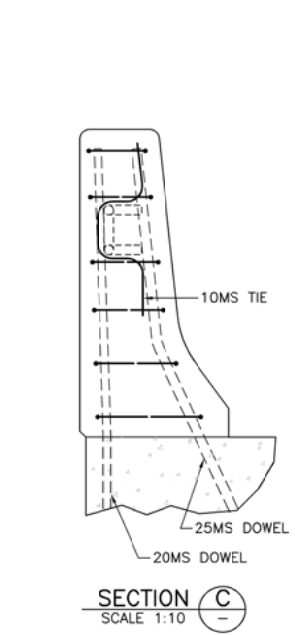


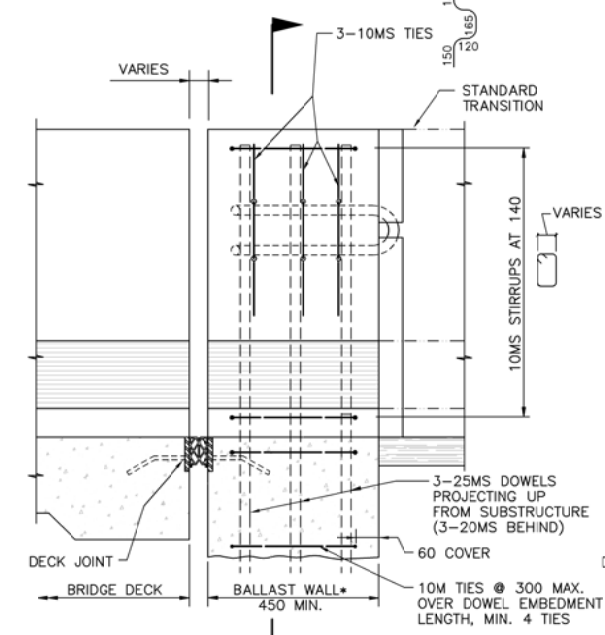
TYPICAL SECTION WITH OVERLAY
SCALE 1:10



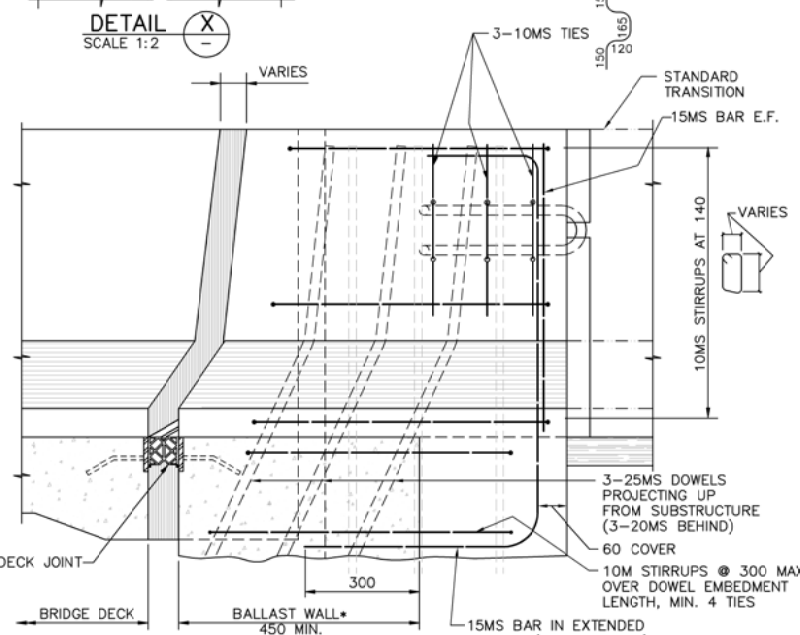
TYPICAL SECTION - NO OVERLAY
SCALE 1:7.5



SECTION C
SCALE 1:10



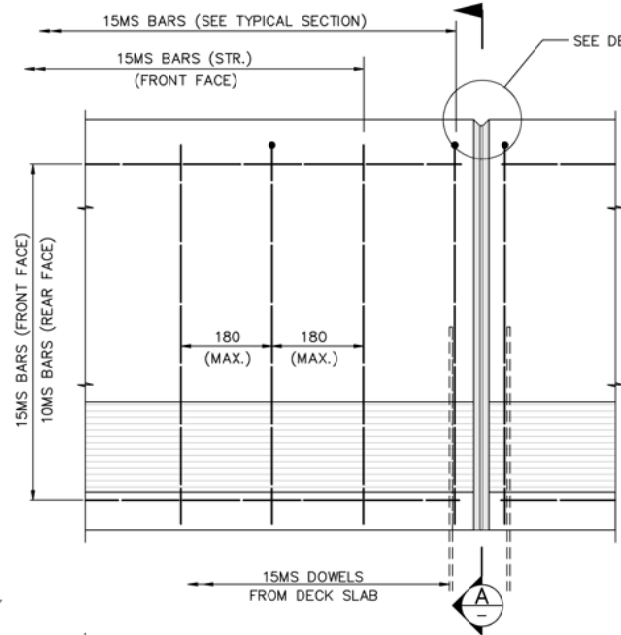
PLAN - SQUARED END



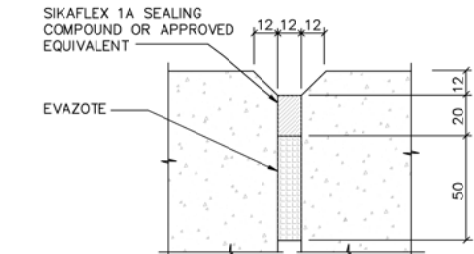
PLAN - SKEWED END

DETAILS AT ABUTMENT WITH DECK JOINT
SCALE 1:10

* BALLAST WALL TO BE LOCALLY THICKENED TO A MIN OF 450 TO ACCOMMODATE ANCHORAGE. DESIGNER TO DETAIL BALLAST WALL REINFORCING TO SUIT.

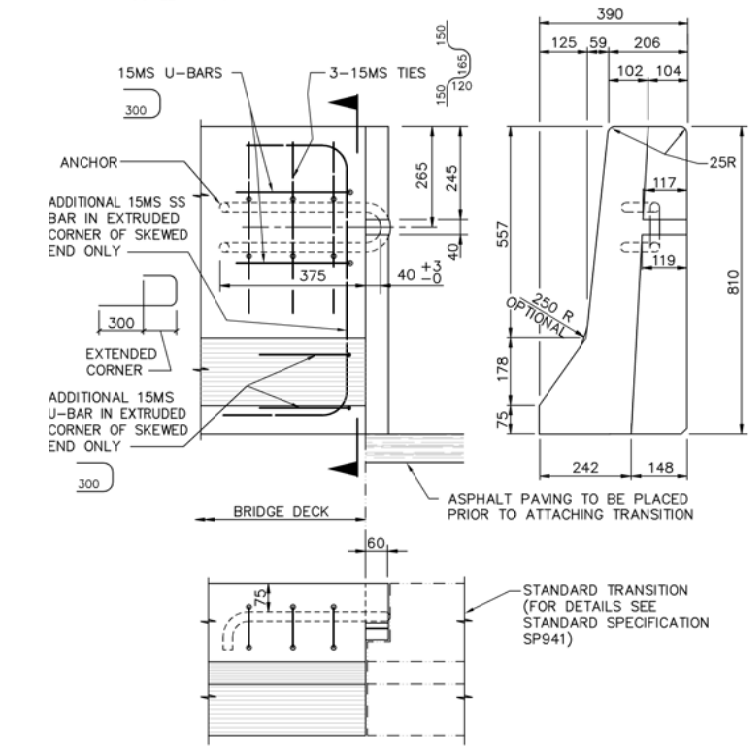


PARAPET CONTROL JOINT
(MAXIMUM SPACING 3 000)
SCALE 1:7.5



DETAIL X
SCALE 1:2

PARAPET JOINT AT PIERS
SCALE 1:7.5



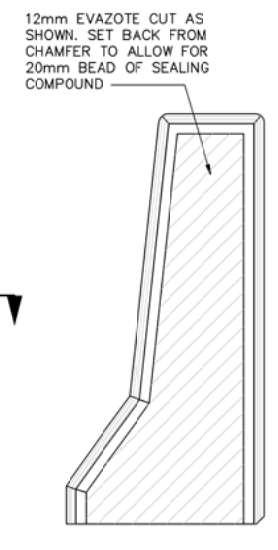
DETAIL AT END OF PARAPET WITH NO DECK JOINT
SCALE 1:10

NOTES

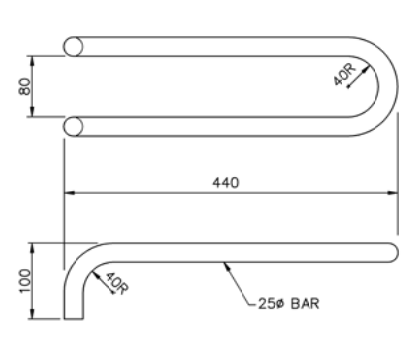
1. PARAPET CONCRETE SHALL HAVE A COMPRESSIVE STRENGTH OF 35 MPa AT 28 DAYS
2. CONCRETE SURFACES SHALL BE GIVEN A CLASS 3 FINISH. EXPOSED EDGES TO BE CHAMFERED 20mm EXCEPT AS NOTED.
3. REINFORCING STEEL TO HAVE 50mm MIN. COVER EXCEPT AS NOTED.
4. ALL REINFORCING STEEL DESIGNATED 'MS' ARE STAINLESS STEEL.
5. LAP OF BARS FOR SPLICES SHALL BE AS FOLLOWS:
10MS BARS - 610mm
15MS BARS - 860mm
SPLICES TO BE STAGGERED.
6. ALL REINFORCING STEEL SHALL CONFORM TO MINISTRY STANDARD SPECIFICATIONS FOR HIGHWAY CONSTRUCTION, SECTION 412.
7. NO PART OF THE PARAPET CONCRETE ABOVE THE CONSTRUCTION JOINT SHALL BE PLACED UNTIL ALL SECTIONS OF THE DECK SLAB AND DECK JOINT COMPONENTS HAVE BEEN PLACED.
8. PARAPETS TO BE CAST IN FIXED FORMS.
9. STEEL FOR ANCHORS TO CONFORM TO C.S.A. SPECIFICATION CAN3-G40.21M, GRADE 300W.
10. ANCHORS TO BE GALVANIZED AFTER FABRICATION. GALVANIZING TO BE IN ACCORDANCE WITH ASTM A153.
11. FOR STAINLESS STEEL REINFORCING, IMPERIAL BAR SIZES ARE PERMITTED TO BE SUBSTITUTED FOR METRIC BAR SIZES ON A ONE-FOR-ONE BASIS WITHOUT ADJUSTMENT IN ACCORDANCE WITH THE TABLE BELOW.

SPECIFIED METRIC BAR SIZE	SIZE ACCEPTABLE IMPERIAL SUBSTITUTION SIZES
10M	#4 1/2 in.
15M	#5 5/8 in.
20M	#7 7/8 in.
25M	#8 1 in.

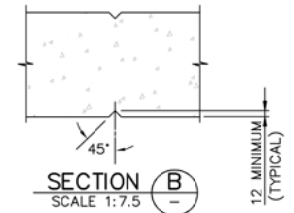
NOTE: TYPICAL DETAILS SHOWN, ALL DETAILS ARE SIMILAR



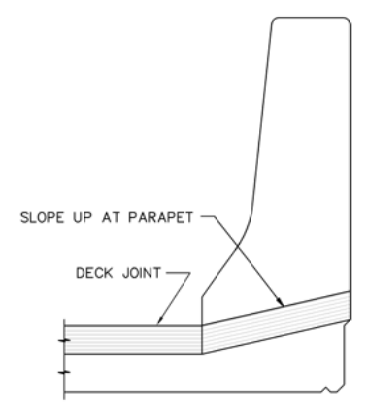
SECTION A
SCALE 1:7.5



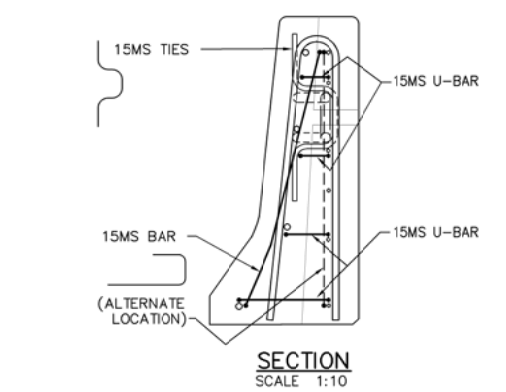
DETAIL OF ANCHOR
MASS=4.1 Kg EACH
SCALE 1:5



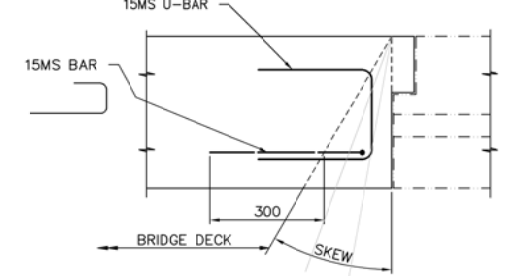
SECTION B
SCALE 1:7.5



SECTION AT DECK JOINT
SCALE 1:10



SECTION
SCALE 1:10



PLAN OF ADDITIONAL REINFORCING FOR SKEW
SCALE 1:10

Rev	Date	Description	Init
DRAFT NOT FOR CONSTRUCTION			
REVISIONS			



Ministry of Transportation & Infrastructure
Bridge Engineering

BRIDGE PARAPET
810mm HIGH - STAINLESS STEEL REINFORCING

DESIGNED _____ DATE _____	CHECKED _____ DATE _____
ENGINEER OF RECORD CHIEF BRIDGE ENGINEER	DRAWN _____ DATE MAY 2016
DATE _____	SCALE AS NOTED
FILE No. _____	PROJECT No. _____
REG. _____	DRAWING No. 2784-7