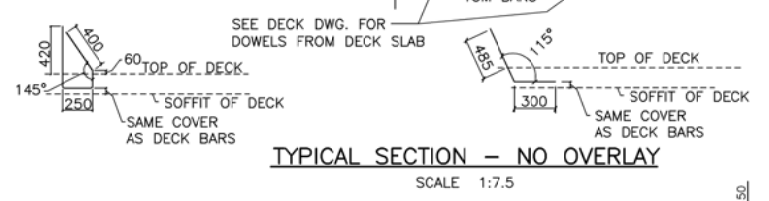
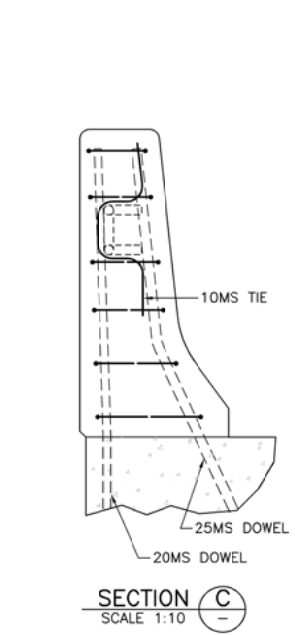


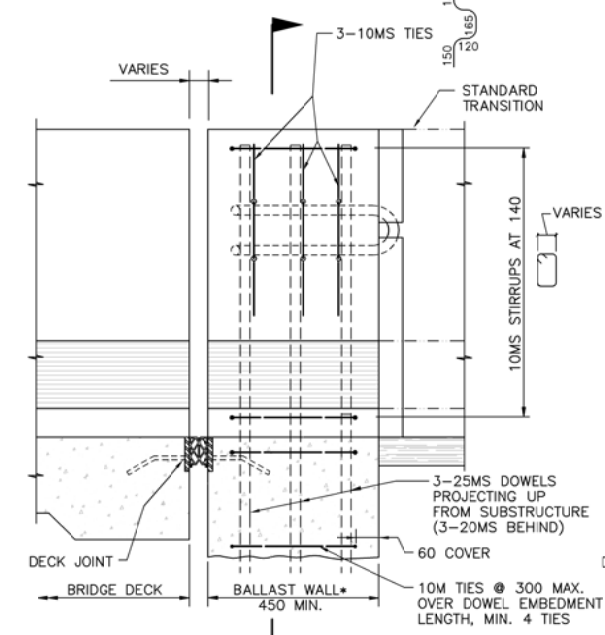
TYPICAL SECTION WITH OVERLAY
SCALE 1:10



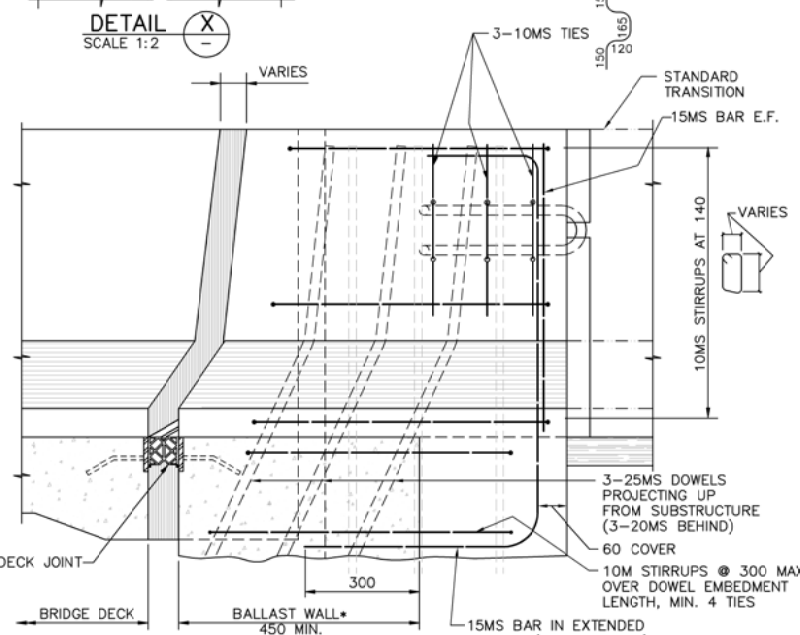
TYPICAL SECTION - NO OVERLAY
SCALE 1:7.5



SECTION C
SCALE 1:10



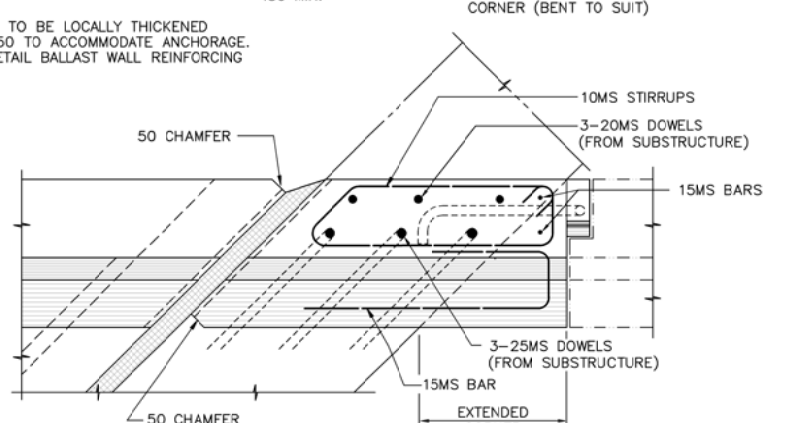
PLAN - SQUARED END



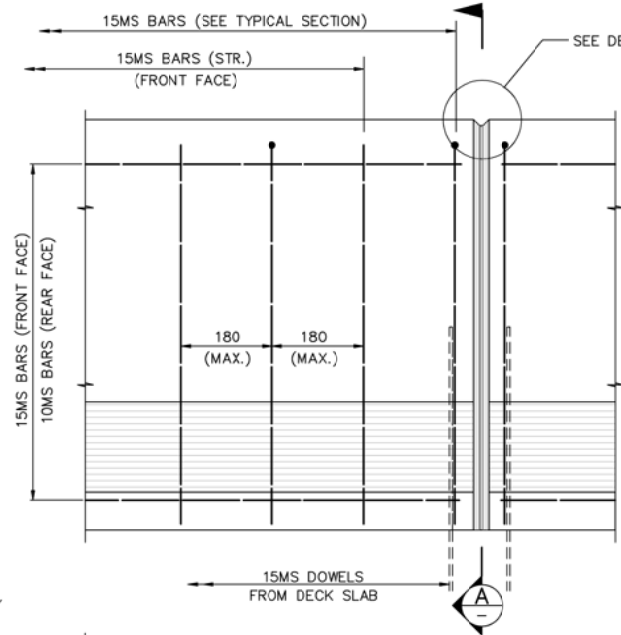
PLAN - SKEWED END

DETAILS AT ABUTMENT WITH DECK JOINT
SCALE 1:10

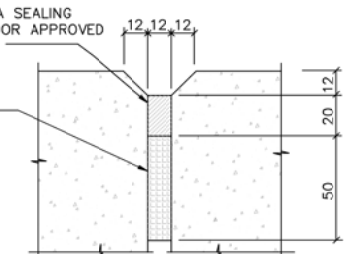
* BALLAST WALL TO BE LOCALLY THICKENED TO A MIN OF 450 TO ACCOMMODATE ANCHORAGE. DESIGNER TO DETAIL BALLAST WALL REINFORCING TO SUIT.



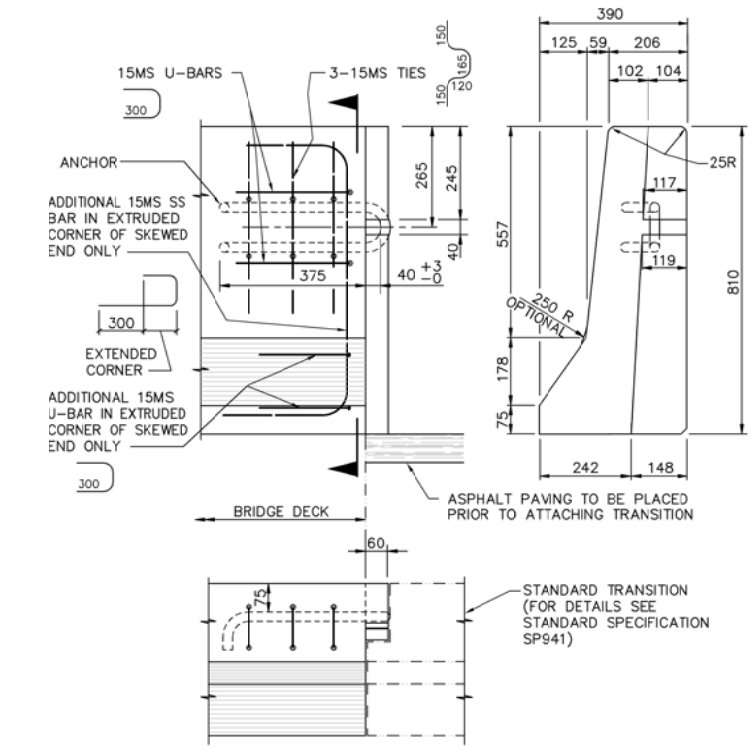
NOTE: TYPICAL DETAILS SHOWN, ALL DETAILS ARE SIMILAR



PARAPET CONTROL JOINT
(MAXIMUM SPACING 3 000)
SCALE 1:7.5



PARAPET JOINT AT PIERS
SCALE 1:7.5

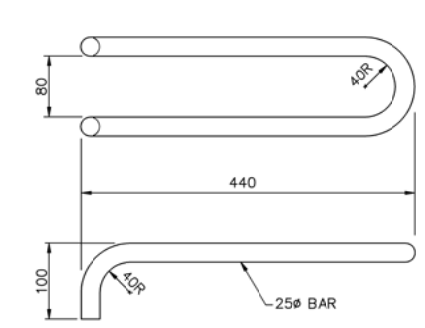


DETAIL AT END OF PARAPET WITH NO DECK JOINT
SCALE 1:10

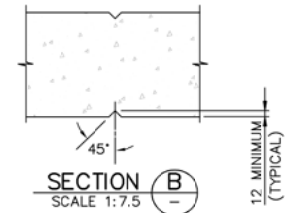
NOTES

- PARAPET CONCRETE SHALL HAVE A COMPRESSIVE STRENGTH OF 35 MPa AT 28 DAYS
- CONCRETE SURFACES SHALL BE GIVEN A CLASS 3 FINISH. EXPOSED EDGES TO BE CHAMFERED 20mm EXCEPT AS NOTED.
- REINFORCING STEEL TO HAVE 50mm MIN. COVER EXCEPT AS NOTED.
- ALL REINFORCING STEEL DESIGNATED 'MS' ARE STAINLESS STEEL.
- LAP OF BARS FOR SPLICES SHALL BE AS FOLLOWS:
10MS BARS - 610mm
15MS BARS - 860mm
SPLICES TO BE STAGGERED.
- ALL REINFORCING STEEL SHALL CONFORM TO MINISTRY STANDARD SPECIFICATIONS FOR HIGHWAY CONSTRUCTION, SECTION 412.
- NO PART OF THE PARAPET CONCRETE ABOVE THE CONSTRUCTION JOINT SHALL BE PLACED UNTIL ALL SECTIONS OF THE DECK SLAB AND DECK JOINT COMPONENTS HAVE BEEN PLACED.
- PARAPETS TO BE CAST IN FIXED FORMS.
- STEEL FOR ANCHORS TO CONFORM TO C.S.A. SPECIFICATION CAN3-G40.21M, GRADE 300W.
- ANCHORS TO BE GALVANIZED AFTER FABRICATION. GALVANIZING TO BE IN ACCORDANCE WITH ASTM A153.
- FOR STAINLESS STEEL REINFORCING, IMPERIAL BAR SIZES ARE PERMITTED TO BE SUBSTITUTED FOR METRIC BAR SIZES ON A ONE-FOR-ONE BASIS WITHOUT ADJUSTMENT IN ACCORDANCE WITH THE TABLE BELOW.

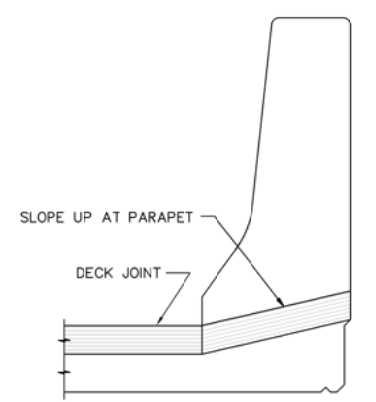
SPECIFIED METRIC BAR SIZE	SIZE ACCEPTABLE IMPERIAL SUBSTITUTION SIZES
10M	#4 1/2 in.
15M	#5 5/8 in.
20M	#7 7/8 in.
25M	#8 1 in.



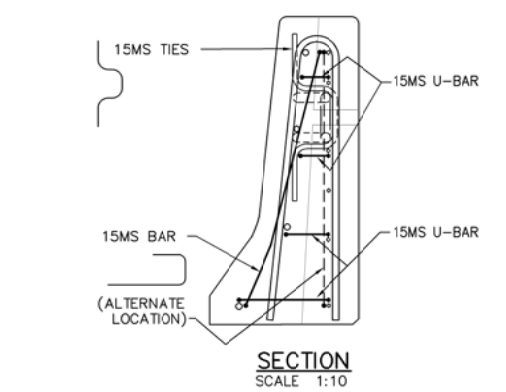
DETAIL OF ANCHOR
MASS=4.1 Kg EACH
SCALE 1:5



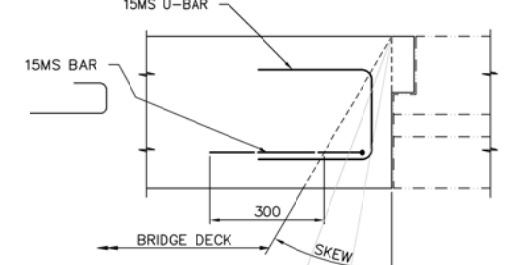
SECTION B
SCALE 1:7.5



SECTION AT DECK JOINT
SCALE 1:10



SECTION
SCALE 1:10



PLAN OF ADDITIONAL REINFORCING FOR SKEW
SCALE 1:10

Rev	Date	Description	Init
DRAFT NOT FOR CONSTRUCTION			
REVISIONS			



Ministry of Transportation & Infrastructure
Bridge Engineering

BRIDGE PARAPET
810mm HIGH - STAINLESS STEEL REINFORCING

DESIGNED _____ DATE _____	CHECKED _____ DATE _____
ENGINEER OF RECORD _____	SCALE AS NOTED
CHIEF BRIDGE ENGINEER _____	NEGATIVE No. _____
DATE _____	FILE No. _____ PROJECT No. _____ REG. DRAWING No. _____
	2784-7