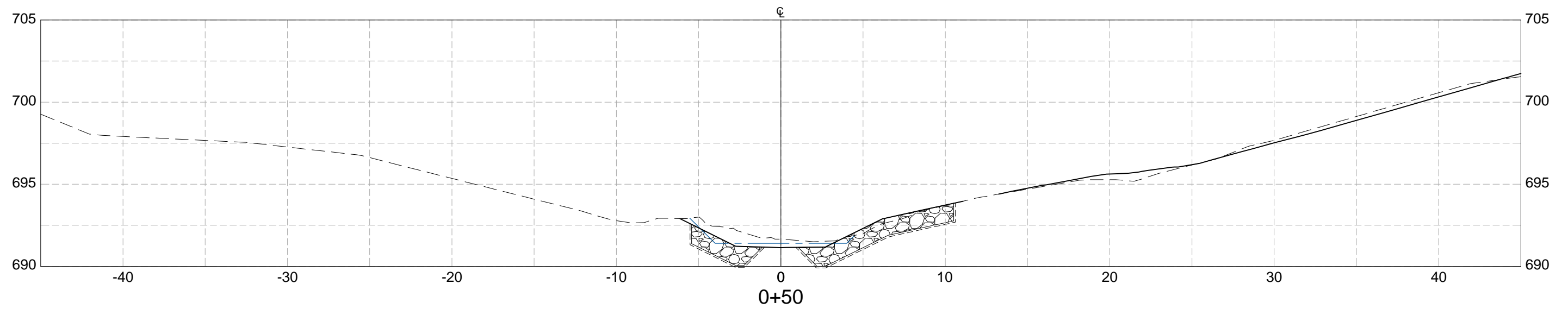
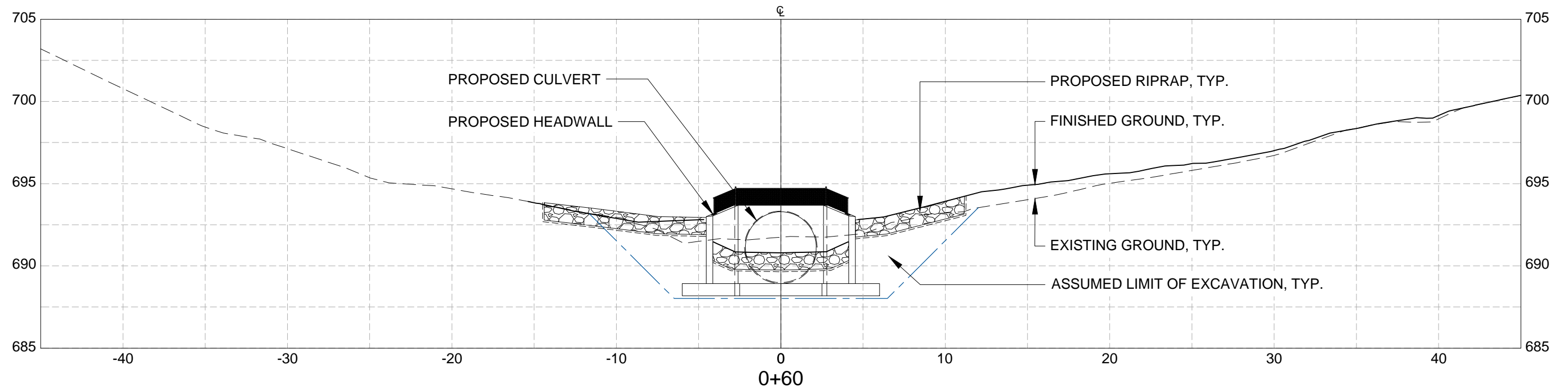


I:\BUR-ES\01\projects\20152059-01_Z_Culverts\Working_Dwg\100_Civil\08638_Smithard\2059-01-C-710.dwg
DATE: 2017-02-07, Evan Johnson



FOR INFORMATION ONLY

AE PROJECT No.	20152059-01	SKETCH 710 BC MINISTRY OF TRANSPORTATION AND INFRASTRUCTURE CIVIL SMITHARD CULVERT No. 08638 REPLACEMENT PROPOSED CHANNEL/CULVERT CROSS-SECTIONS
SCALE	1:250	
DRAWN	E. JOHNSON	
DATE	20170207	
REV	1	
DESCRIPTION	ISSUED FOR INFORMATION	



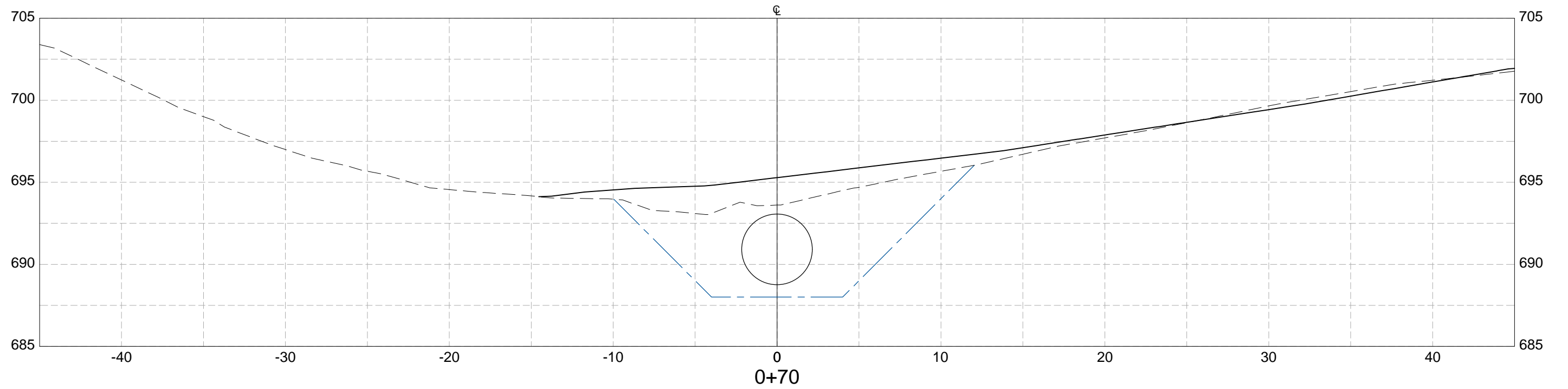
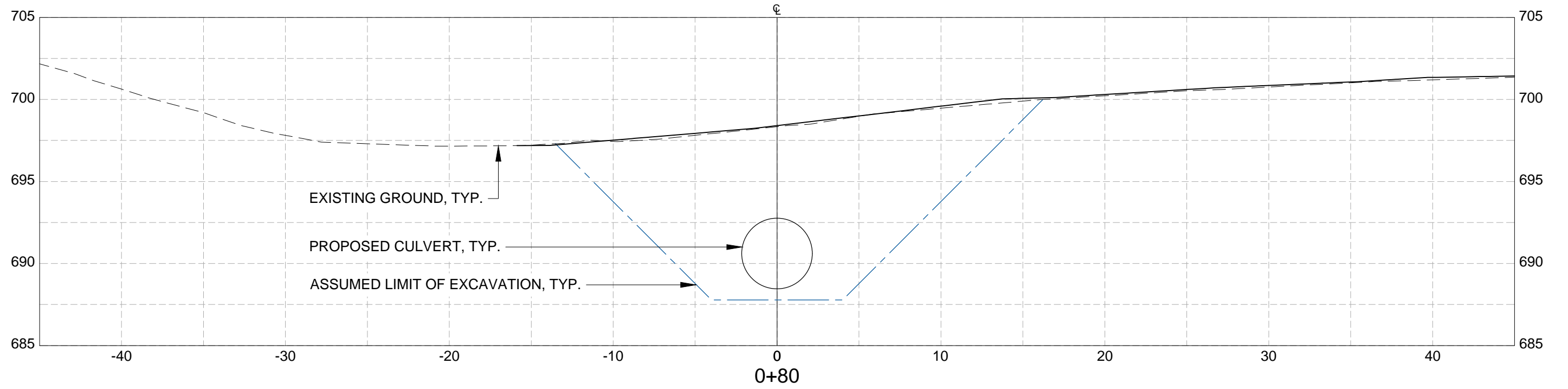
I:\BUR-ES\01\projects\20152059-01_Culverts\Working_Dwg\100_Civil\08638_Smithard\2059-01-C-710.dwg
 DATE: 2017-02-07, Evan Johnson



FOR
INFORMATION
ONLY

AE PROJECT No.	20152059-01
SCALE	1:250
DRAWN	E. JOHNSON
DATE	20170207
REV	1
DESCRIPTION	ISSUED FOR INFORMATION

SKETCH 711
 BC MINISTRY OF TRANSPORTATION
 AND INFRASTRUCTURE
 CIVIL
 SMITHARD CULVERT No. 08638 REPLACEMENT
 PROPOSED CHANNEL/CULVERT CROSS-SECTIONS



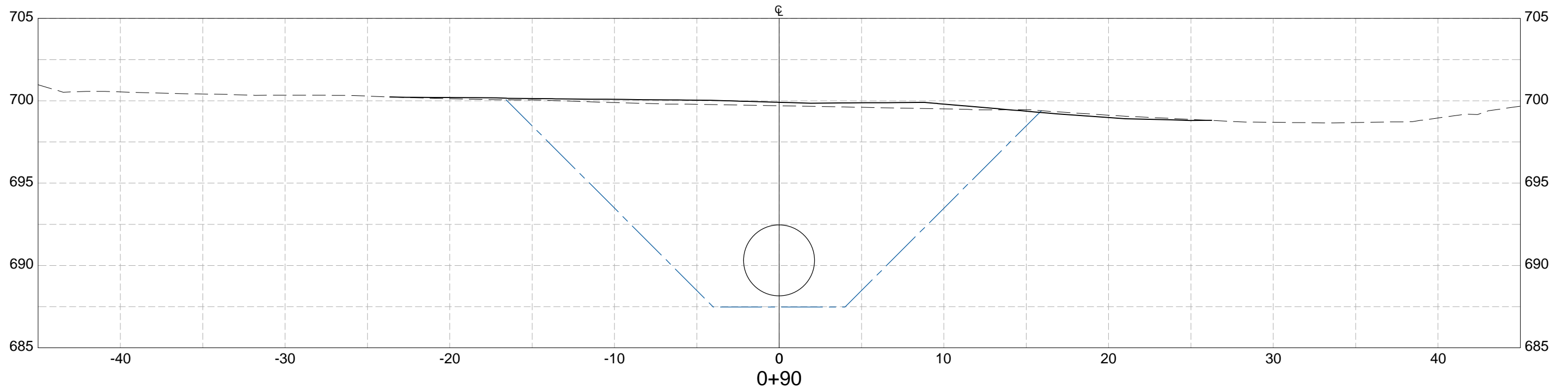
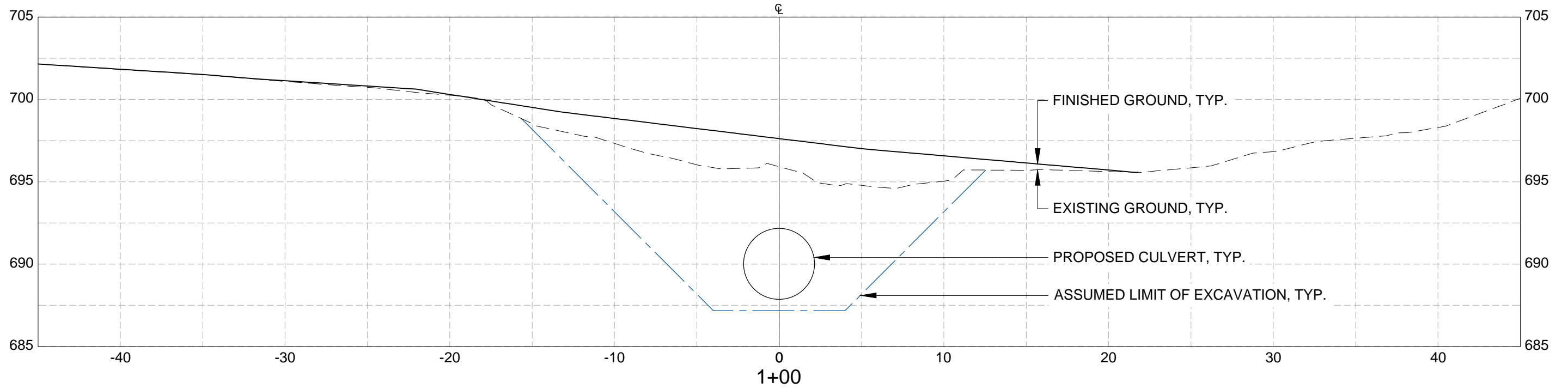
I:\BUR-ES\01\projects\20152059-01_Z_Culverts\Working_Dwg\100_Civil\08638_Smithard\2059-01-C-710.dwg
 DATE: 2017-02-07, Evan Johnson



FOR INFORMATION ONLY

AE PROJECT No.	20152059-01
SCALE	1:250
DRAWN	E. JOHNSON
DATE	20170207
REV	1
DESCRIPTION	ISSUED FOR INFORMATION

SKETCH 712
BC MINISTRY OF TRANSPORTATION AND INFRASTRUCTURE
CIVIL
SMITHARD CULVERT No. 08638 REPLACEMENT PROPOSED CHANNEL/CULVERT CROSS-SECTIONS



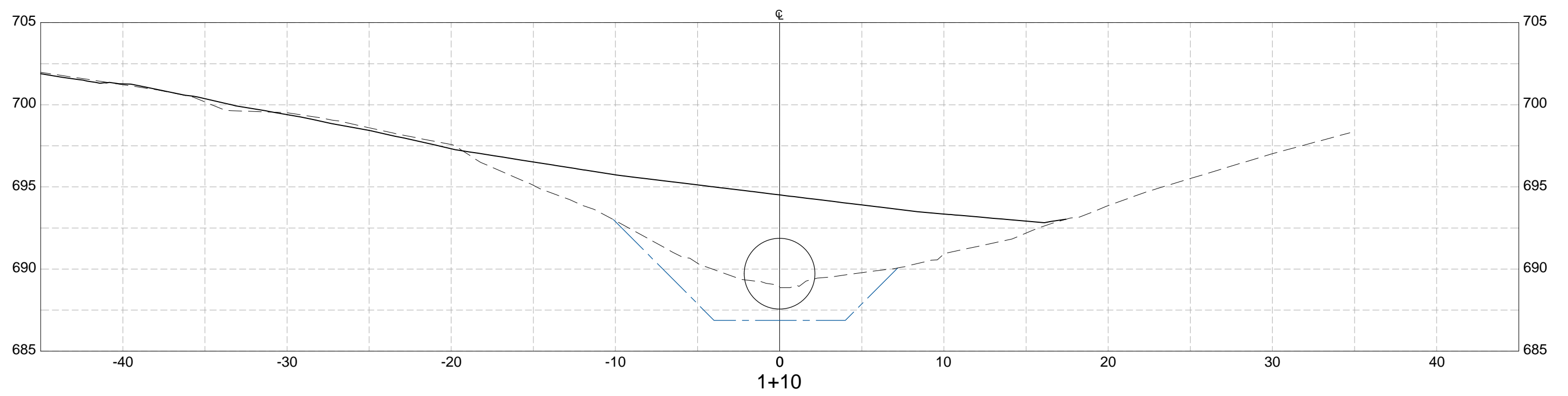
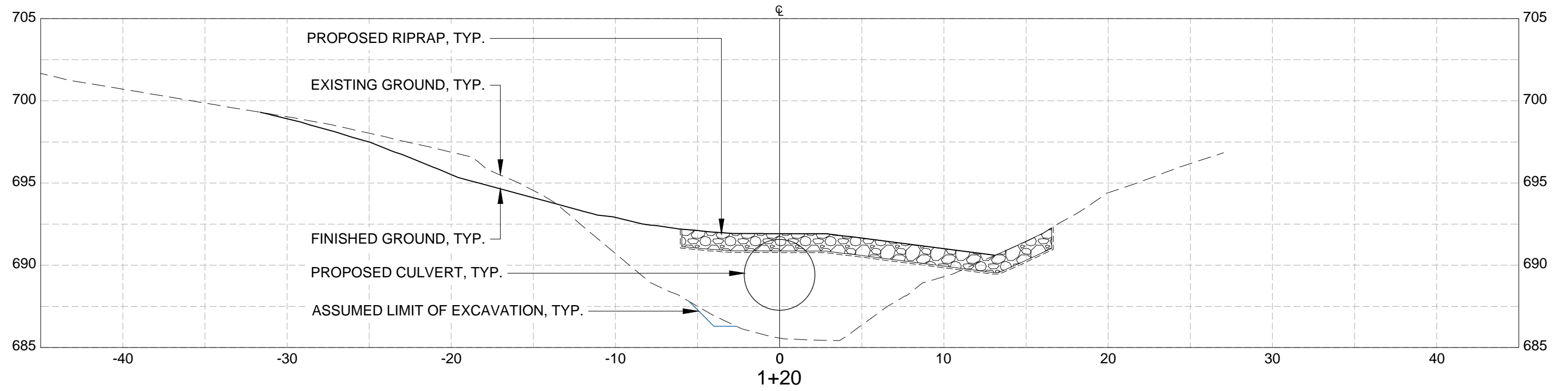
I:\S:\R\F\01\project\20152059-01_Z_Culverts\Working_Dwg\100_Culvert\08638_Smithard\2059-01-C-710.dwg
DATE: 2017-02-07, Evan Johnson



FOR
INFORMATION
ONLY

AE PROJECT No.	20152059-01
SCALE	1:250
DRAWN	E. JOHNSON
DATE	20170207
REV	1
DESCRIPTION	ISSUED FOR INFORMATION

SKETCH 713
BC MINISTRY OF TRANSPORTATION AND INFRASTRUCTURE
CIVIL
SMITHARD CULVERT No. 08638 REPLACEMENT
PROPOSED CHANNEL/CULVERT CROSS-SECTIONS



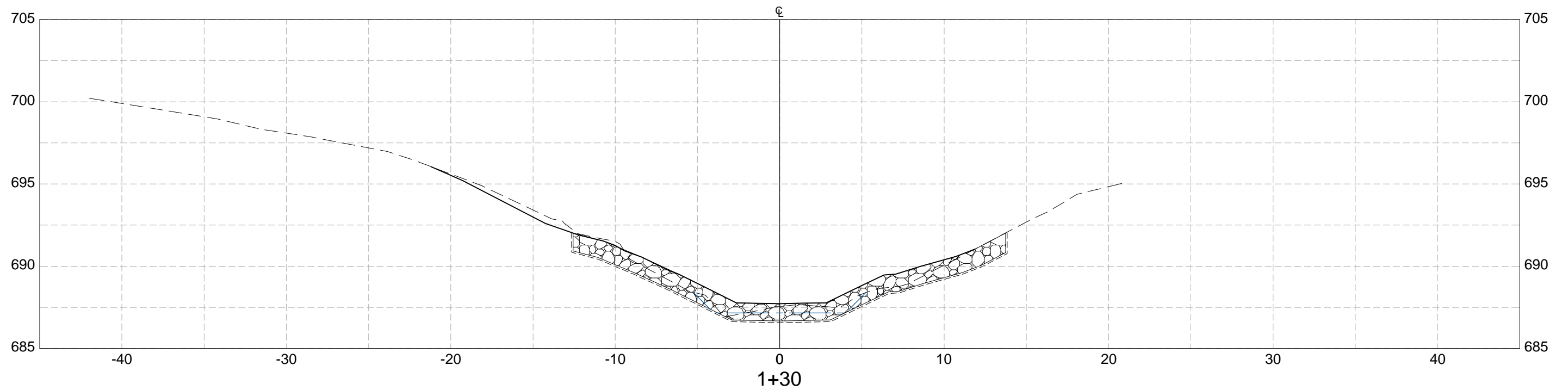
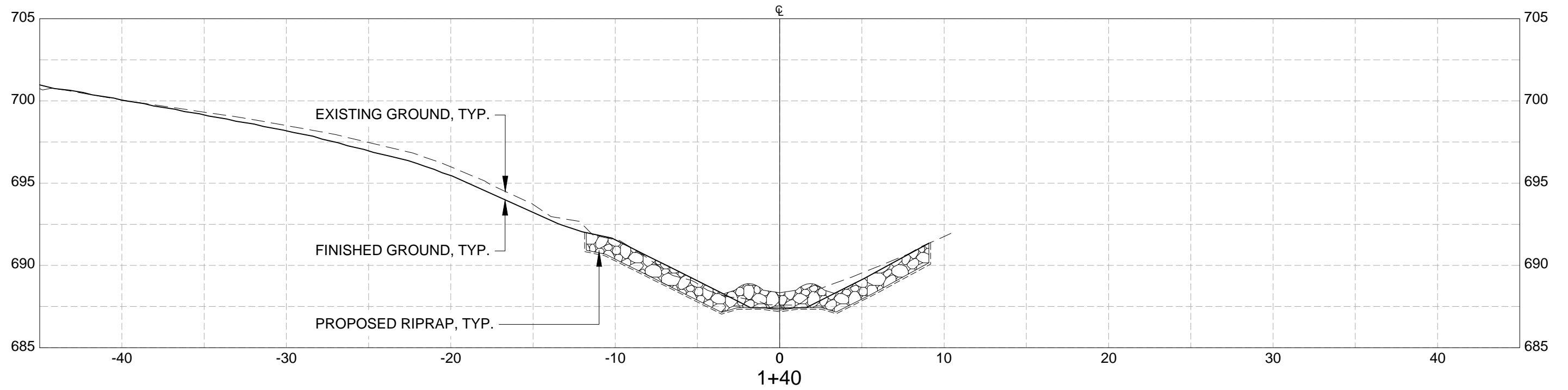
I:\BUR-ES\01\projects\20152059-01_Z_Culverts\Working_Dwg\100_Civil\08638_Smithard\2059-01-C-710.dwg
DATE: 2017-02-07, Evan Johnson



FOR INFORMATION ONLY

AE PROJECT No.	20152059-01
SCALE	1:250
DRAWN	E. JOHNSON
DATE	20170207
REV	1
DESCRIPTION	ISSUED FOR INFORMATION

SKETCH 714
BC MINISTRY OF TRANSPORTATION AND INFRASTRUCTURE
CIVIL
SMITHARD CULVERT No. 08638 REPLACEMENT
PROPOSED CHANNEL/CULVERT CROSS-SECTIONS



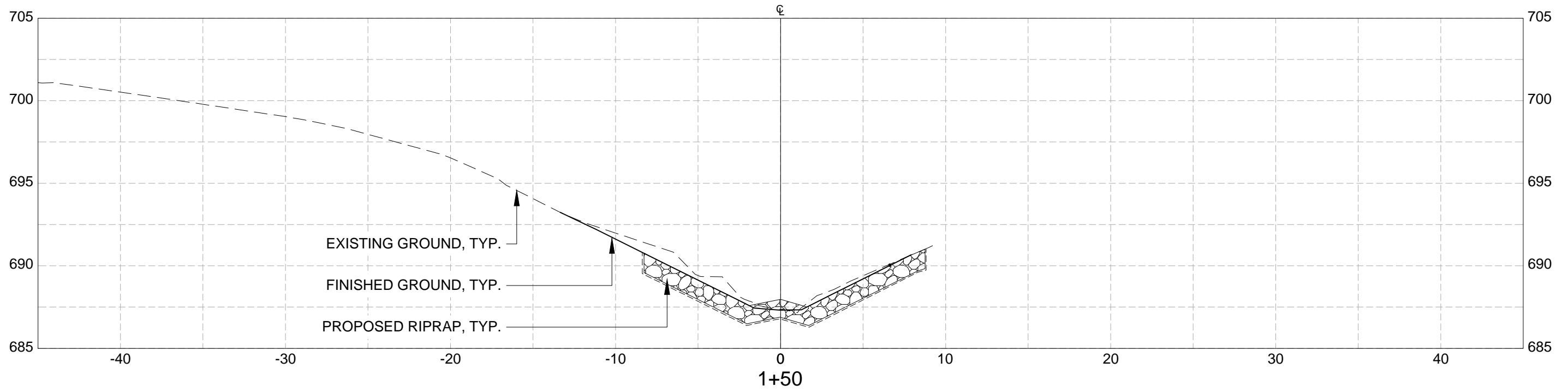
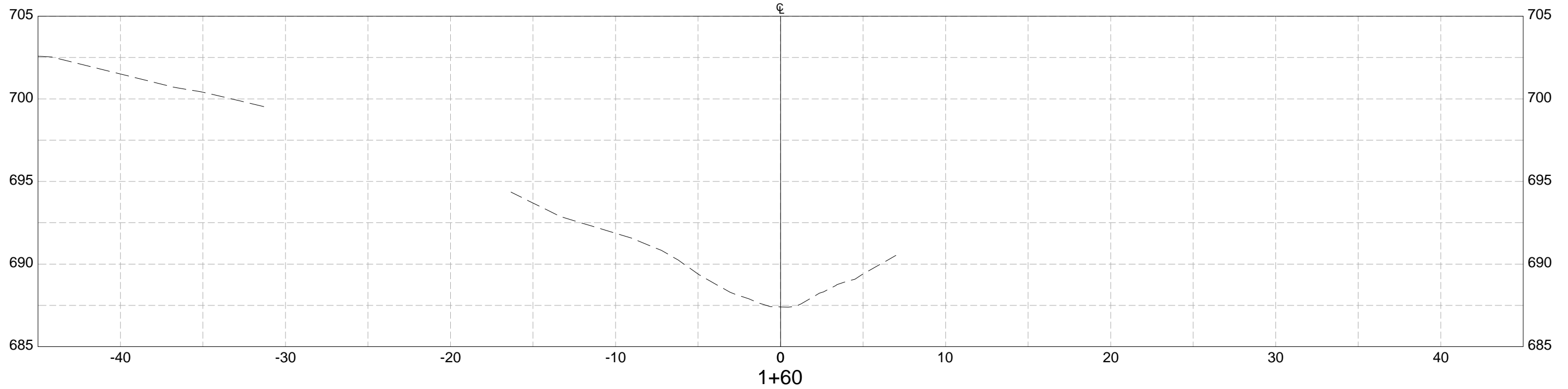
I:\BUR-ES\01\projects\20152059-01_Z_Culverts\Working_Dwg\100_Civil\08638_Smithard\2059-01-C-710.dwg
 DATE: 2017-02-07, Evan Johnson



FOR
INFORMATION
ONLY

AE PROJECT No.	20152059-01
SCALE	1:250
DRAWN	E. JOHNSON
DATE	20170207
REV	1
DESCRIPTION	ISSUED FOR INFORMATION

SKETCH 715
BC MINISTRY OF TRANSPORTATION AND INFRASTRUCTURE
CIVIL
SMITHARD CULVERT No. 08638 REPLACEMENT
PROPOSED CHANNEL/CULVERT CROSS-SECTIONS



\\S:\BUR-ES\01\projects\20152059-01_Z_Culverts\Working_Dwg\100_Civil\08638_Smithard\2059-01-C-716.dwg
DATE: 2017-02-07, Evan Johnson



FOR INFORMATION ONLY

AE PROJECT No.	20152059-01	SKETCH 716
SCALE	1:250	
DRAWN	E. JOHNSON	BC MINISTRY OF TRANSPORTATION AND INFRASTRUCTURE
DATE	20170207	
REV	1	
DESCRIPTION	ISSUED FOR INFORMATION	CIVIL SMITHARD CULVERT No. 08638 REPLACEMENT PROPOSED CHANNEL/CULVERT CROSS-SECTIONS