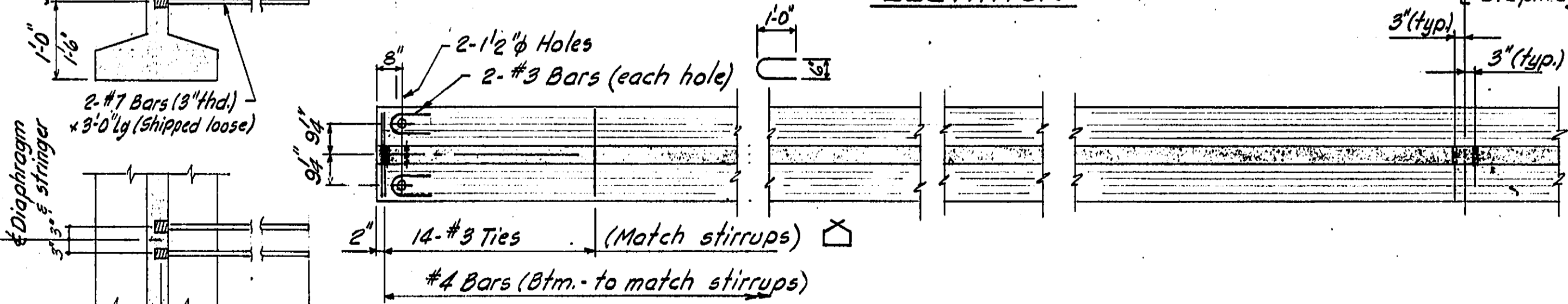
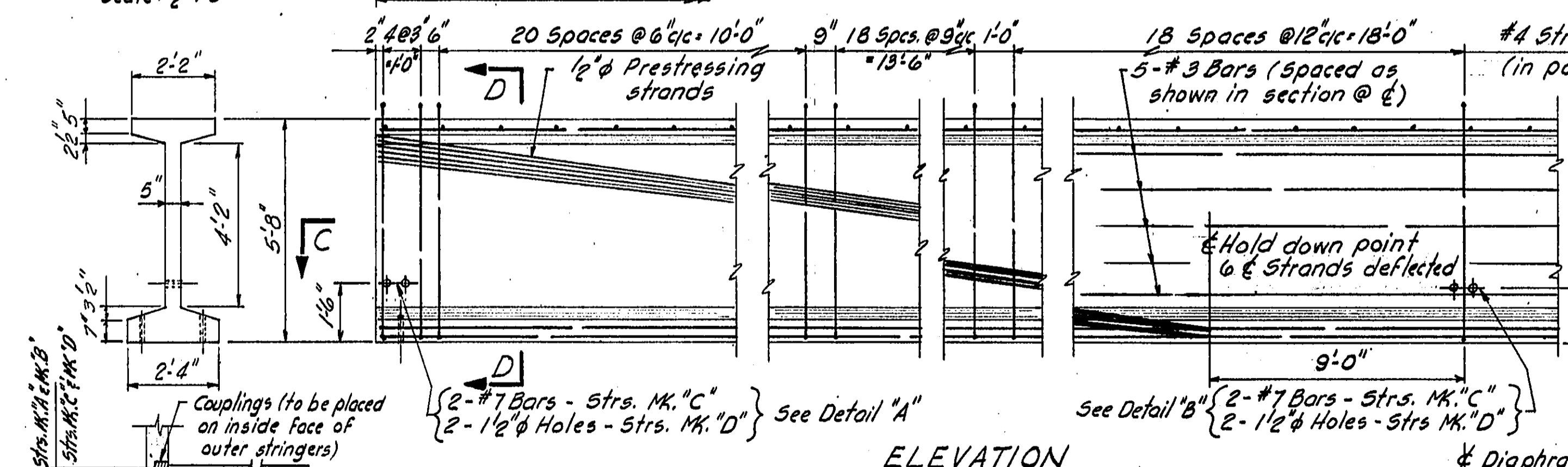
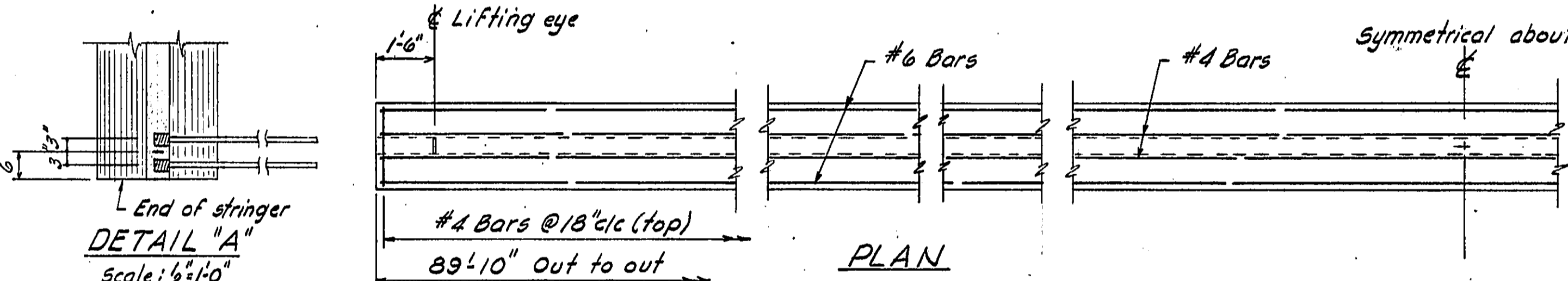
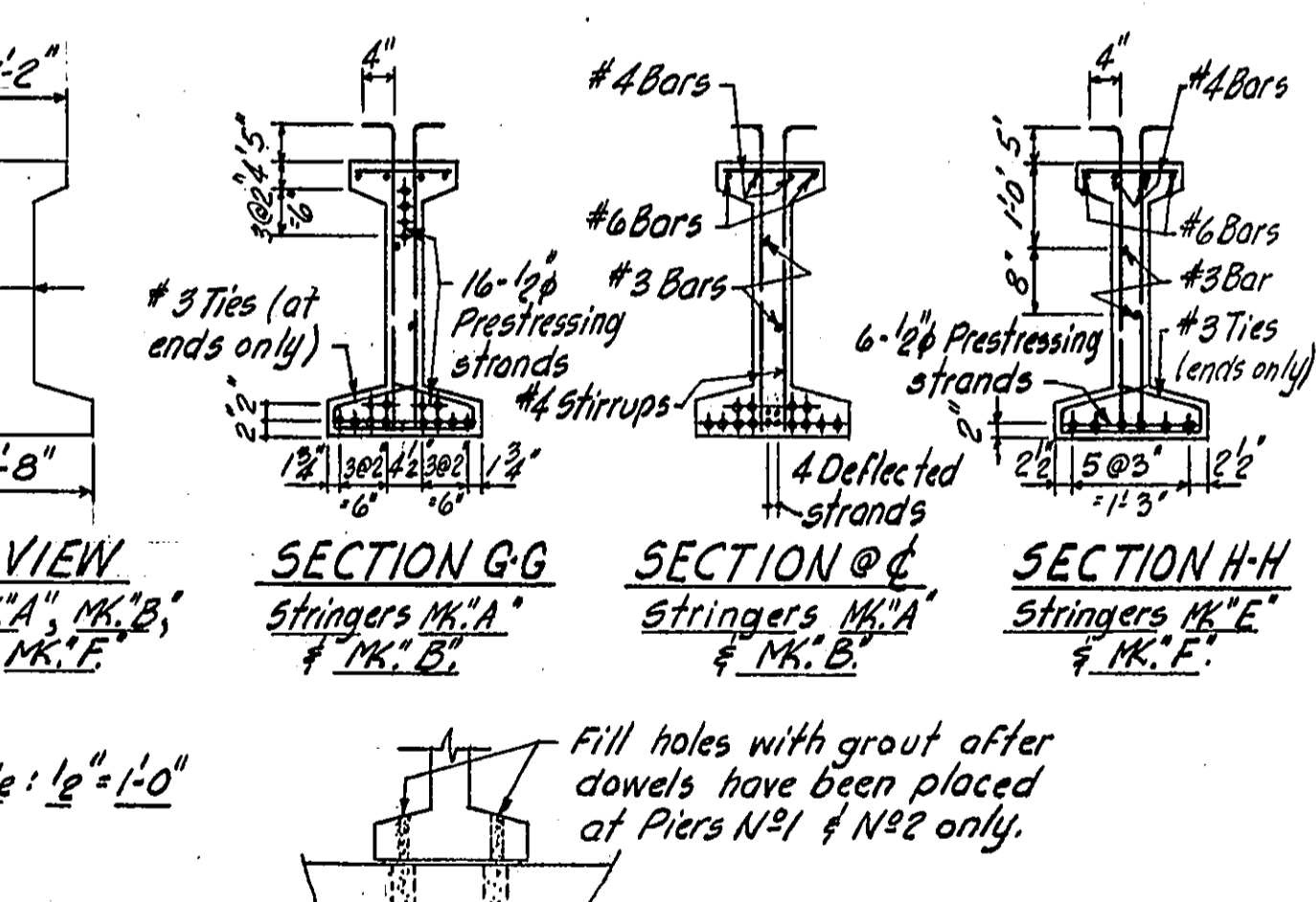
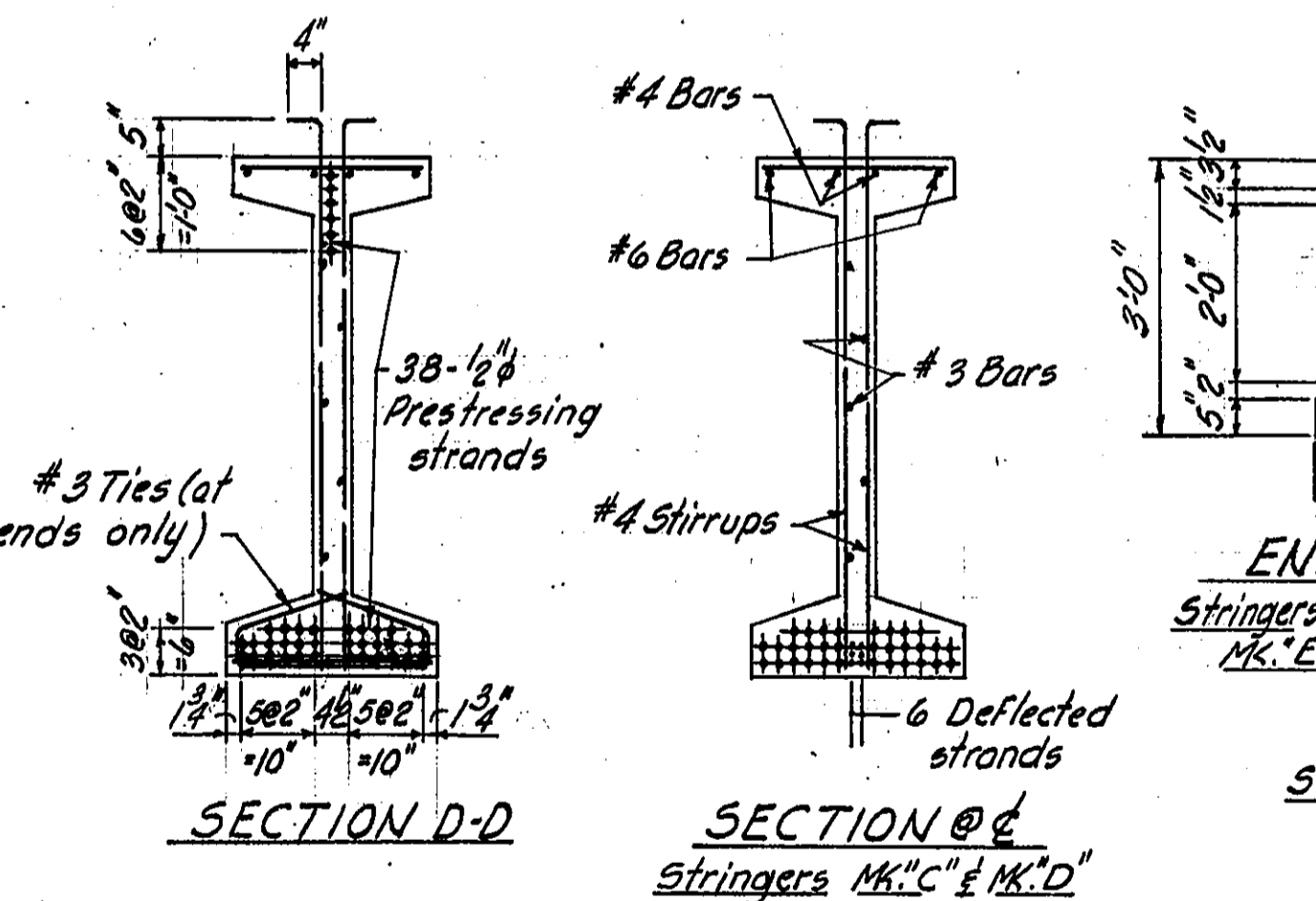


Stringers MK."B" - 3 Req'd - as shown
Stringers MK."A" - 2 Req'd - similar except as noted.
Stringers MK."F" - 3 Req'd - as shown
Stringers MK."E" - 2 Req'd - similar except as noted



Stringers MK."D" - 3 Req'd - as shown
Stringers MK."C" - 2 Req'd - similar except as noted.



DOWEL SETTING

- Notes:
- Prestressing strands to be 1/2" (Twire) uncoated strands. Min. ultimate tensile strength = 4,300 lbs. per strand. Tensile load at time of release of strands = 28,900 lbs. per strand.
 - Concrete: Minimum compressive strength of concrete at time of release of strands = 4,700 lbs./in² for Strs. MK."A", MK."B", MK."C" & MK."D" & 4,000 lbs./in² for Strs. MK."E" & MK."F". Minimum compressive strength of concrete at 28 days = 5,500 lbs./in² for Strs. MK."A", MK."B", MK."C" & MK."D" & 5,000 lbs./in² for Strs. MK."E" & MK."F".
 - Reinforcing shall conform to C.S.A. Spec. G 30.12 grade 40. Splices to be staggered. Lap of bars to be 40x d.
 - Reinforcing steel to have 1" min. cover. Prestressing steel 1/2" min. cover.
 - Bottom edges of stringers to be chamfered 1/2".
 - Lifting devices satisfactory to the Engineer shall be provided over the bearing. Only vertical lifts will be permitted. Care shall be taken to prevent any sudden impact loads on the stringers.

REVISIONS	DATE	BY	APP'D
D			
C			
B	As built	J.T.H. Oct 1979	
A	Revised and redrawn	J.E.S. June 79	

GOVERNMENT OF BRITISH COLUMBIA
MINISTRY OF TRANSPORTATION, COMMUNICATION AND HIGHWAYS
BRIDGE ENGINEERING BRANCH 149283

NELSON DISTRICT
SOUTHERN TRANS - PROVINCIAL HIGHWAY
ERIE CREEK BRIDGE
PRESTRESSED CONCRETE STRINGERS

SCALE: 3/8" = 1'-0" And as noted
DRAWN: J.E.S. June 79
CHECKED: J.T.H. June 79
APPROVED: 1979.07.25
DRAWING NO.: 2542-6B