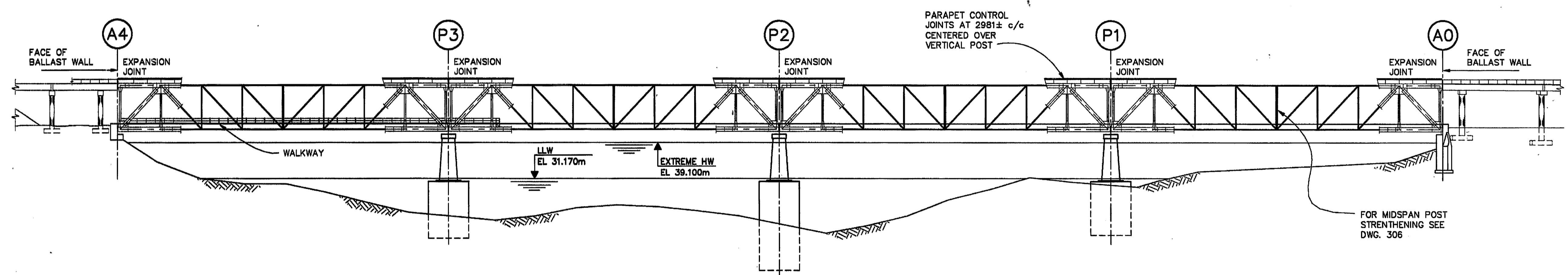
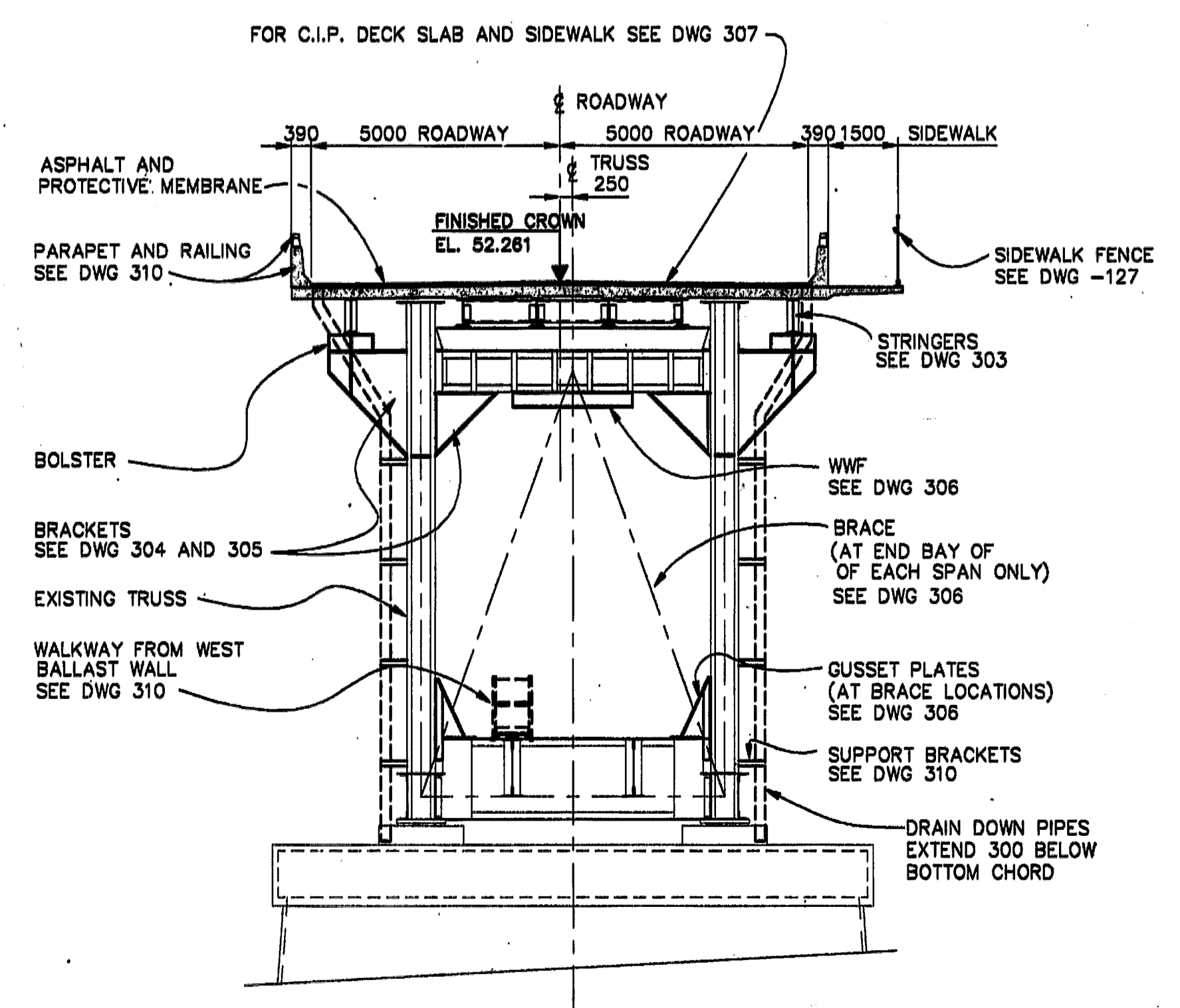


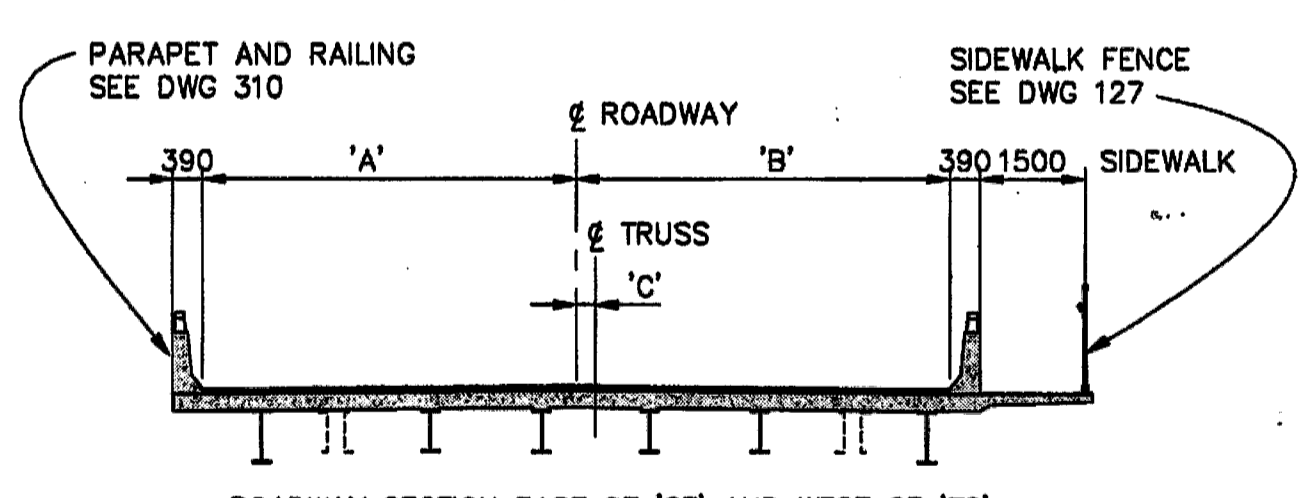
PLAN  
1:500



ELEVATION  
1:500



TYPICAL SECTION BETWEEN 'ST' AND 'TS'  
SECTION A  
1:100



ROADWAY SECTION EAST OF 'ST' AND WEST OF 'TS'  
SECTION B  
1:100

TABLE: 1  
ROADWAY WIDTH

| STATION            | A (mm) | B (mm) | C (mm) |
|--------------------|--------|--------|--------|
| EAST END OF BRIDGE |        |        |        |
| 200+07.020         | 5679   | 5290   | 540    |
| 200+09.325         | 5450   | 5210   | 460    |
| 200+11.630         | 5220   | 5150   | 400    |
| 200+13.935         | 5101   | 5101   | 351    |
| 200+16.240         | 5065   | 5065   | 315    |
| 200+18.545         | 5039   | 5039   | 289    |
| 200+20.850         | 5020   | 5020   | 270    |
| 200+23.154         | 5011   | 5011   | 261    |
| 200+25.459         | 5003   | 5003   | 253    |
| 200+27.764         | 5001   | 5001   | 251    |
| ST: 200+30.069     | 5000   | 5000   | 250    |
| TS: 202+77.752     | 5000   | 5000   | 250    |
| 202+79.755         | 5001   | 5001   | 250    |
| 202+81.759         | 5004   | 5004   | 249    |
| 202+83.762         | 5009   | 5009   | 247    |
| 202+85.766         | 5015   | 5015   | 242    |
| 202+87.769         | 5024   | 5024   | 234    |
| 202+89.773         | 5035   | 5035   | 222    |
| 202+91.776         | 5047   | 5047   | 206    |
| 202+93.780         | 5062   | 5062   | 185    |
| 202+95.783         | 5078   | 5078   | 157    |
| 202+97.787         | 5096   | 5096   | 122    |
| WEST END OF BRIDGE |        |        |        |

NOTES:

- DESIGN SPECIFICATIONS: - CAN/CSA S6-88  
- AASHTO STANDARD SPECIFICATIONS FOR SEISMIC DESIGN OF HIGHWAY BRIDGES  
- AASHTO SEISMIC DESIGN OF BASE ISOLATED STRUCTURES
- DESIGN LOADS: LIVE LOAD CS600  
DEAD LOAD INCLUDES 50mm ASPHALTIC CONCRETE OVERLAY  
NO PROVISION FOR FUTURE OVERLAY  
SEISMIC A= 0.15 FOR A 475 YEAR RETURN PERIOD
- SOUNDINGS BASED ON DECEMBER, 1991 SURVEY
- DATUM:  
ALL ELEVATIONS ARE TO GEODETIC DATUM  
GEODETIC DATUM REF. DATUM  
0.0 = +2.354 1914-1918 DWGS  
0.0 = +0.122 1938 DWGS

377729

SCALE AS SHOWN  
SANDWELL PROJECT No. 112740  
CADFILE No. 27408301

DESIGNED LL DATE 95.03.15  
CHECKED AGM DATE 95.03.15  
DRAWN HALLUN DATE 92.06.04

PROVINCE OF BRITISH COLUMBIA  
MINISTRY OF TRANSPORTATION AND HIGHWAYS  
BRIDGE ENGINEERING BRANCH

FRASER VALLEY DISTRICT  
HIGHWAY No. 1  
**FRASER RIVER BRIDGE WIDENING  
MAIN SPANS  
GENERAL ARRANGEMENT**

| Rev | Date | Description       | Init |
|-----|------|-------------------|------|
|     |      | ISSUED FOR TENDER |      |

PREPARED UNDER THE DIRECTION OF  
*R. [Signature]*  
CONSULTING ENGINEER  
DATE 9 May 95

RECOMMENDED  
*[Signature]*  
DIRECTOR OF BRIDGE ENGINEERING  
DATE 95.05.15

ACCEPTED FOR CONSTRUCTION  
*[Signature]*  
CHIEF HIGHWAY ENGINEER  
DATE 95.05.15

7533-0003