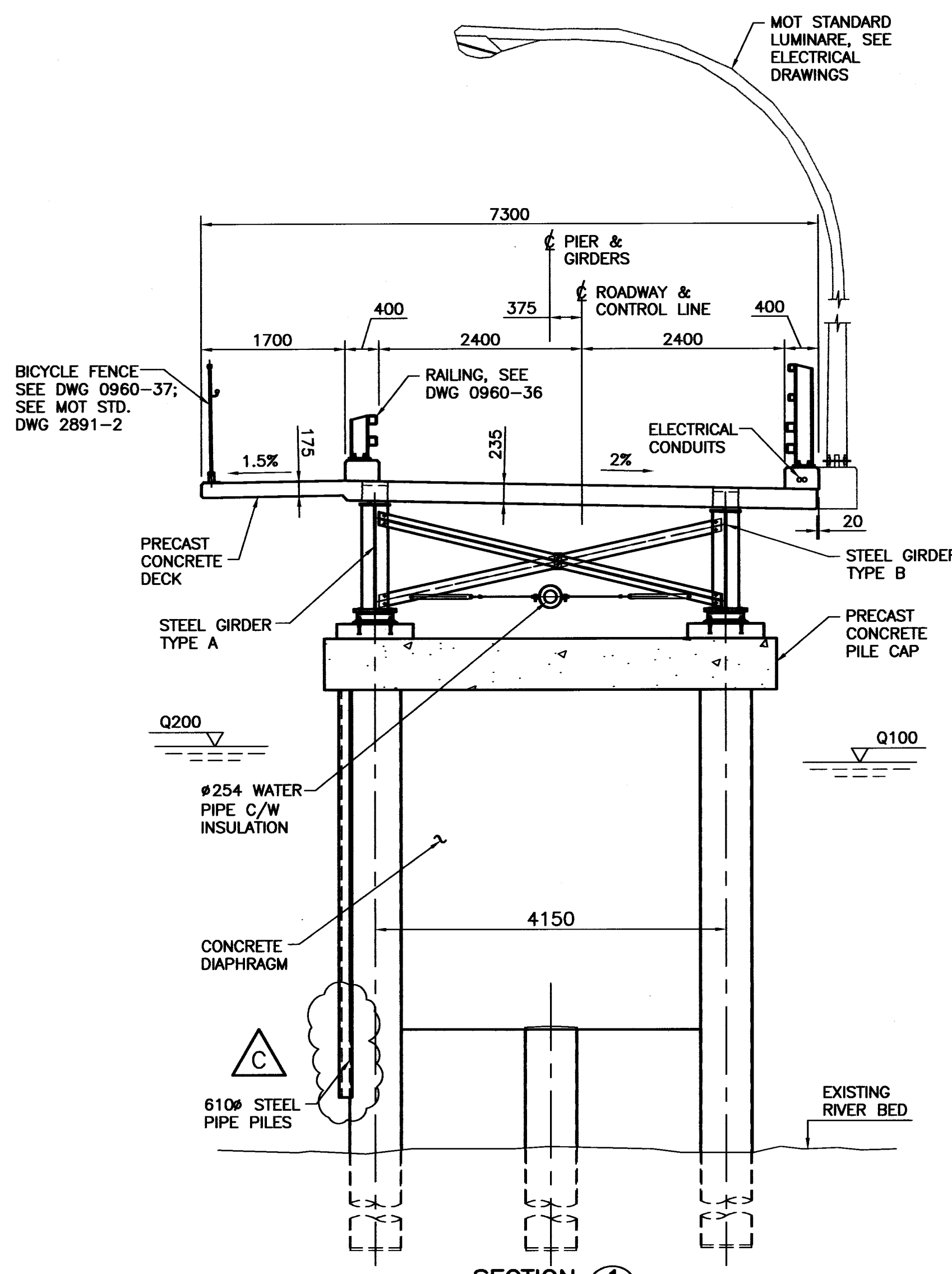
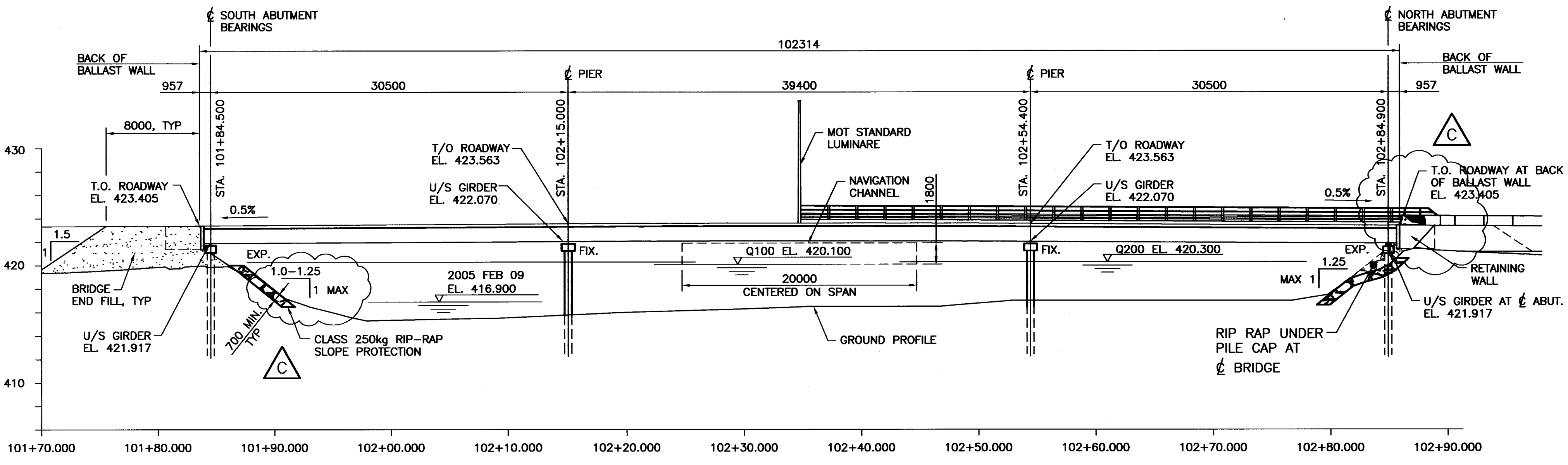


PLAN
1:250



SECTION 1
SCALE 1:50



SECTION 2
SCALE 1:250

- NOTES:**
- TOP OF ROADWAY ELEVATIONS SHOW AT CONTROL LINE.
 - FIELD ADJUST RIP-RAP AND FILL DETAILS TO ENSURE BRIDGE END FILL CONTAINMENT.

Consultant Logo			
BUCKLAND & TAYLOR Bridge Engineering			
Rev	Date	Description	Init
A	05/06/14	RIP-RAP REVISED	NC
B	05/09/20	CENTRAL PILE ADDED AND DIAPHRAGM REVISED	NC
C	06/06/20	AS BUILT, REVISED AS NOTED	NC

REVISIONS



THOMPSON NICOLA HIGHWAYS DISTRICT
BIRCH ISLAND LOST CREEK ROAD No. 815
BIRCH ISLAND BRIDGE
GENERAL ARRANGEMENT

PREPARED UNDER THE DIRECTION OF	DESIGNED	NC	DATE	05/05/31
ORIGINAL SIGNED BY N. CUPERLOVIC	CHECKED	HCV	DATE	05/05/31
ENGINEER OF RECORD	DRAWN	JJS	DATE	05/05/31
DATE 2005 MAY 31	SCALE	AS NOTED		
FILE No. 601026	PROJECT No. 22211-0001	REG.	DRAWING No. 960-23	

H-308h-2-c(10-0)09: 0960-23.dwg Date/Time: September 21, 2005 11:27 a.m. Scale: 1=1 Ltham Xrefis