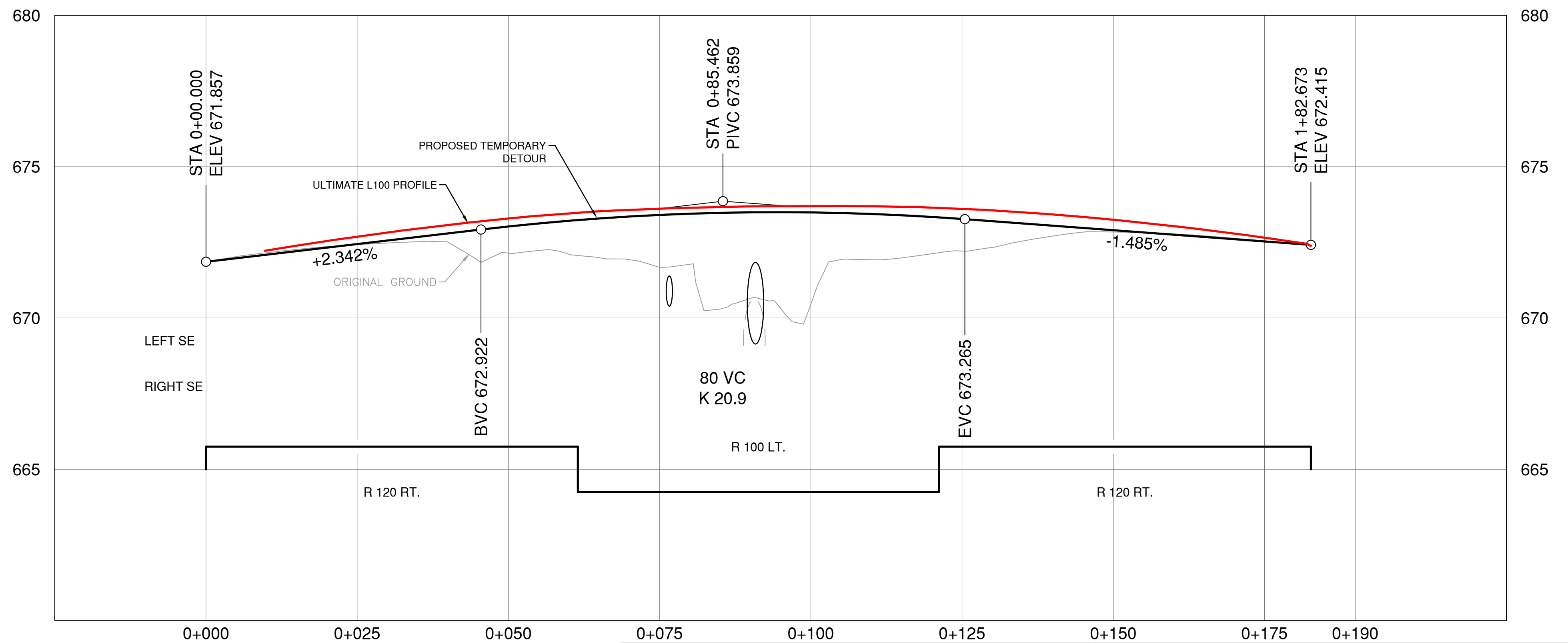
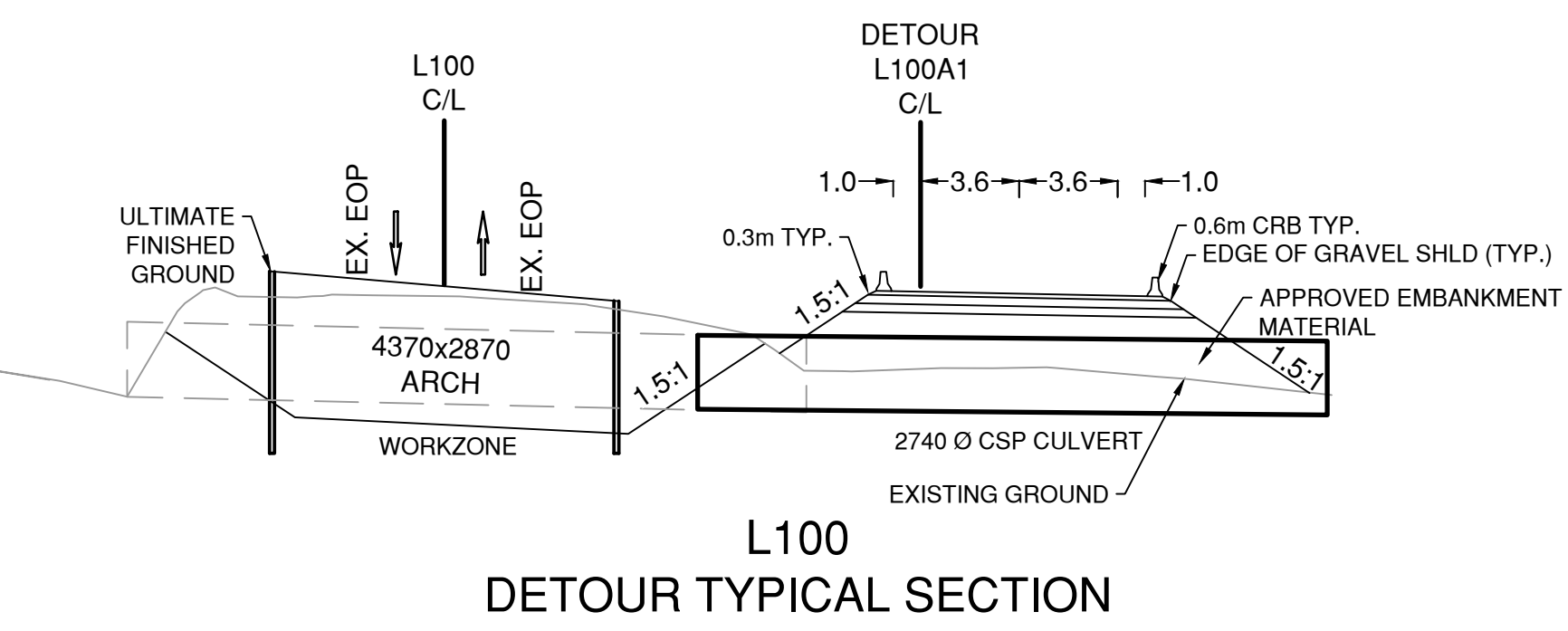
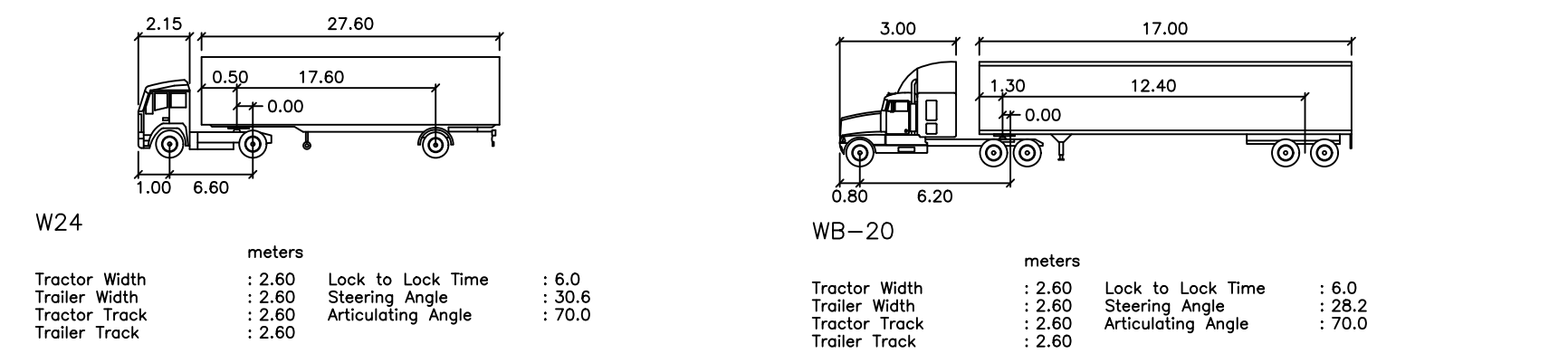
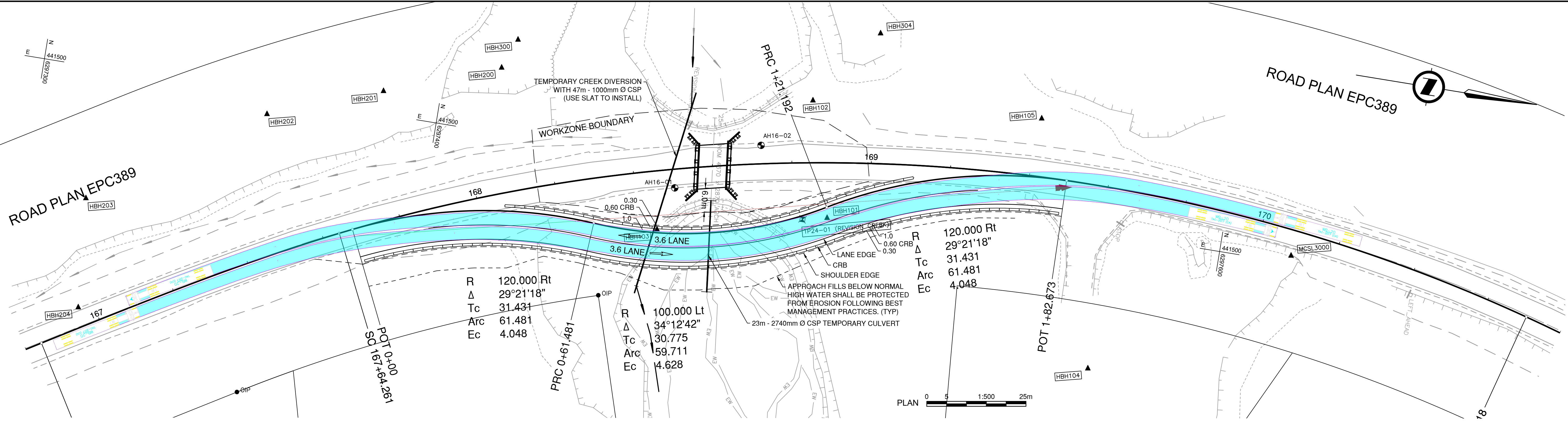


PLOT DATE: 2025/05/01 U:\Projects\_KEL\1961\0480\06\Design\CAD\Revision\_Creek\DrawingProduction\1100\_SubDisciplines\ConstructionStaging\TrafficManagement\1100\_CONSTTRAF-REVISION.dwg

ROAD PLAN EPC389

ROAD PLAN EPC389



DESIGN SPEED 50km/h

DESIGN VEHICLE WB-20

ISSUED FOR DISCUSSION

2025-05-01

urbansystems.ca

				<b>MINISTRY OF TRANSPORTATION AND INFRASTRUCTURE</b> NORTHERN REGION HIGHWAY ENGINEERING AND GEOMATICS	
		<b>HWY 37 TEMPORARY DETOUR</b> HWY 37 REVISION CREEK CULVERT No. 08791 REPLACEMENT			
SCALE AS NOTED		CAD FILENAME: CONSTTRAF-REVISION.dwg		PLOT DATE: 2025-05-01	
REV	DATE	REVISIONS	SIGNATURE		
SENIOR DESIGNER		DESIGNED: B. KINGSLEY DATE: 2025-05-01		QUALITY CONTROL: J. WILKISON DATE: 2025-05-01	
DATE: YYYY-MM-DD		QUALITY ASSURANCE: I. MACMILLAN DATE: 2025-05-01		DRAWN: B. KINGSLEY DATE: 2025-05-01	
FILE NUMBER	PROJECT NUMBER	REG	DRAWING NUMBER	REV	
1961.0480.06	38016	3	R3-385-1101	-	