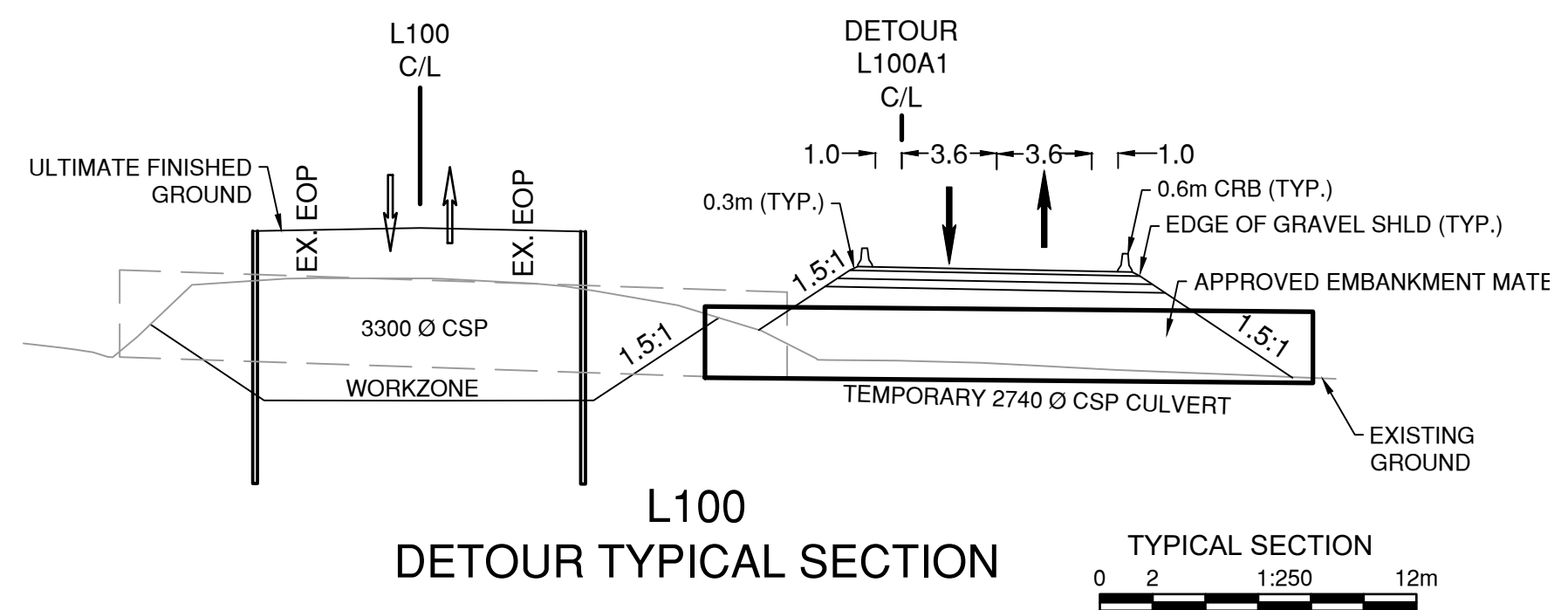


DESIGN SPEED 50km/h  
 DESIGN VEHICLE WB-20



ISSUED FOR DISCUSSION  
 2025-10-28  
 urbansystems.ca

**URBAN SYSTEMS**

SCALE AS NOTED  
 CAD FILENAME: 1100\_CONSTRTRAF-FAN.dwg  
 PLOT DATE: 2025-10-28

REV	DATE	REVISIONS	SIGNATURE

**BRITISH COLUMBIA** MINISTRY OF TRANSPORTATION AND INFRASTRUCTURE  
 NORTHERN REGION HIGHWAY ENGINEERING AND GEOMATICS

**HWY 37 TEMPORARY DETOUR**  
 HIGHWAY 37 FAN CREEK BRIDGE No. 08792

DESIGNED: B. KINGSLEY DATE: 2025-05-29  
 QUALITY CONTROL: J. WILKINSON DATE: 2025-05-29  
 QUALITY ASSURANCE: I. MACMILLAN DATE: 2025-05-29  
 DRAWN: B. KINGSLEY DATE: 2025-10-28

SENIOR DESIGNER: \_\_\_\_\_  
 DATE: YYYY-MM-DD

FILE NUMBER 1961.0480.06	PROJECT NUMBER 38016-0001	REG 3	DRAWING NUMBER R3-386-1101	REV A
-----------------------------	------------------------------	----------	-------------------------------	----------

PLOT DATE: 2025/10/28 U:\Projects\_KEL\1961\0480\06\Design\CAD\Fan\_Creek\DrawingProduction\1100\_SubDisciplines\ConstructionStaging\TrafficManagement\1100\_CONSTRTRAF-FAN.dwg