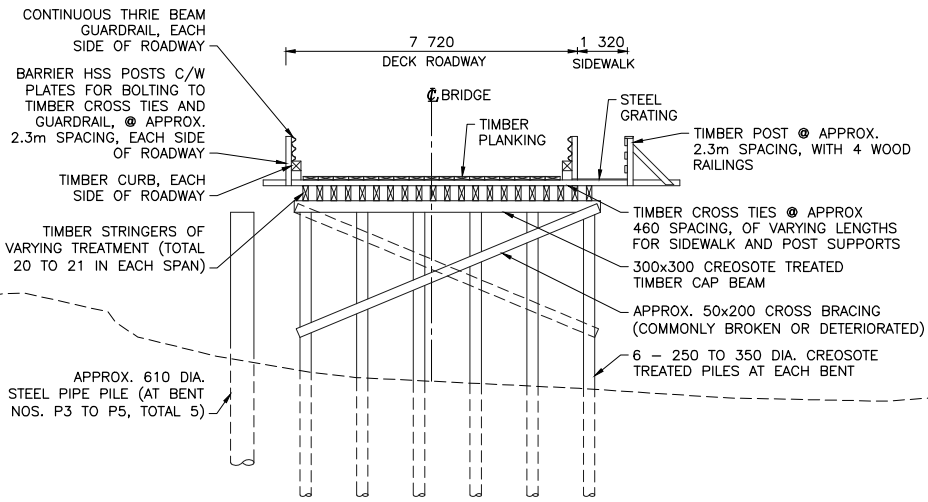
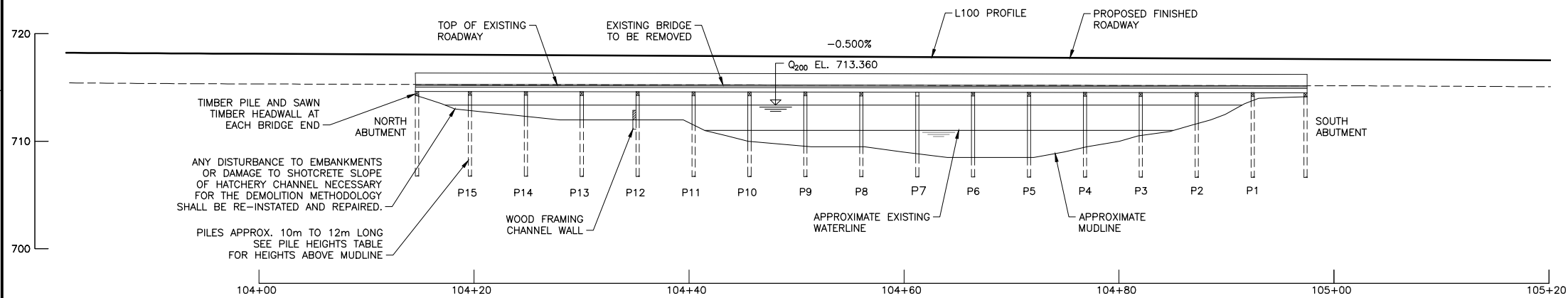


EXISTING BRIDGE PLAN
SCALE 1:250



SECTION A
SCALE 1:100



EXISTING BRIDGE ELEVATION
SCALE 1:250

NOTES:

1. ALL DIMENSIONS TO BE CONFIRMED ON SITE BY CONTRACTOR.
2. CONTRACTOR MAY VIBRO-EXTRACT ALL TIMBER AND STEEL PILES. WHERE PILES BREAK DURING EXTRACTION, CUT AT MUDLINE LEVEL.
3. DISPOSE ALL MATERIAL AT A PRE-APPROVED DISPOSAL FACILITY
4. REFER TO SPECIAL PROVISIONS FOR FURTHER DEMOLITION SPECIFICATIONS.
5. CONTRACTOR TO SUBMIT DEMOLITION METHODOLOGY FOR APPROVAL PRIOR TO WORK.

BENT NUMBER	APPROX. HEIGHT ABOVE MUDLINE (PER 2018 APPROXIMATE MEASUREMENTS (m))
P1	1.2
P2	3.4
P3	3.9
P4	4.5
P5	5.5
P6	5.5
P7	5.5
P8	5.5
P9	5.5
P10	4.0
P11	3.5
P12	3.5
P13	2.4
P14	2.3
P15	2.0

Consultant Logo			
Rev	Date	Description	Init

REVISIONS



Ministry of Transportation
and Infrastructure
Northern Region

BULKLEY-STIKINE DISTRICT
HIGHWAY 118: CENTRAL BABINE LAKE HIGHWAY
**FULTON RIVER HATCHERY BRIDGE NO. 6646 REPLACEMENT
EXISTING BRIDGE SUGGESTED DEMOLITION DETAILS**

PREPARED UNDER THE DIRECTION OF	DESIGNED _____ DATE _____
ENGINEER OF RECORD	CHECKED <u>C. SCHAPER</u> DATE 2023-06-02
DATE	DRAWN <u>J. DU</u> DATE 2023-06-02
FILE No. 2020-2034-00	PROJECT No. 37807-0000
REG. 3	DRAWING No. 6646-R-01
SCALE AS NOTED	NEGATIVE No.



GENERAL CONTEXT OF EXISTING BRIDGE