

WIM Cabinet

APPLICATION - NEMA 3R

APX Enclosures, Inc. 3R 19" rack mount enclosures are designed to house electronic controls, terminals, and instruments, and to provide protection from rain, sleet, snow, dripping water and corrosion, while providing ventilation.

~~APPLICATION - NEMA 4X~~

~~APX Enclosures, Inc. 4X 19" rack mount enclosures are designed to house electronic controls, terminals, and instruments, and to provide protection from rain, sleet, snow, dripping water and corrosion, as well as hosedown, splashing water, oil or coolant seepage.~~

INDUSTRY STANDARD:

U.L. Type 3R, ~~4X~~

A. ENCLOSURE:

1. The complete enclosure is made from .125" thick aluminum alloy type 5052-H-32 to provide a strong and rigid construction. ~~Alternative material is 14 gauge type 304 stainless steel. (Specifier must choose the material to be used.)~~
2. Each enclosure is equipped with bracket provisions for rigid mounting of an **optional EIA 19" rack frame assembly** for mounting components. (See page C8 for E.I.A. rack specifications and catalog numbers.)
3. The door frame opening is double flanged on all four sides. These flanges increase the strength of the door opening and help prevent dust and liquids from dropping into the enclosure when the door is opened.
4. All exterior seams are ground smooth or sealed weathertight with silicone sealant.
5. All hardware is either stainless steel or aluminum.
6. Each (3R only) enclosure has provisions for mounting a forced-air fan system that can be thermostatically controlled, and air is exhausted through a screened vent system in the enclosure top.

B. DOOR: (Front-hinge on left, rear-hinge on right)

1. Equipped with three-point latching mechanism with nylon rollers at the top and bottom.
2. The door handle is .75" stainless steel round bar and has provisions for a padlock.
3. (3R only) The standard main door lock is Corbin #1548 -1 or equal.
4. (3R only) A louvered air vent with reusable metal filter and retaining brackets is provided.
5. The main door is sealed with closed-cell neoprene gasket.
6. The continuous door hinge is .075" thick stainless steel with a .25" stainless hinge pin.

C. FINISH:

1. Natural aluminum enclosures are mill finish per federal specification QQA-250/8.

NEMA 3R SHOWN

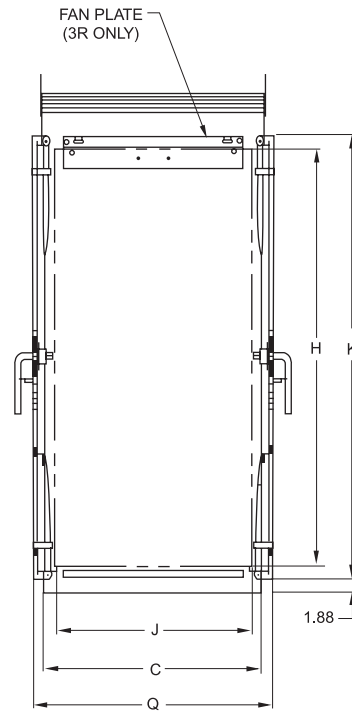
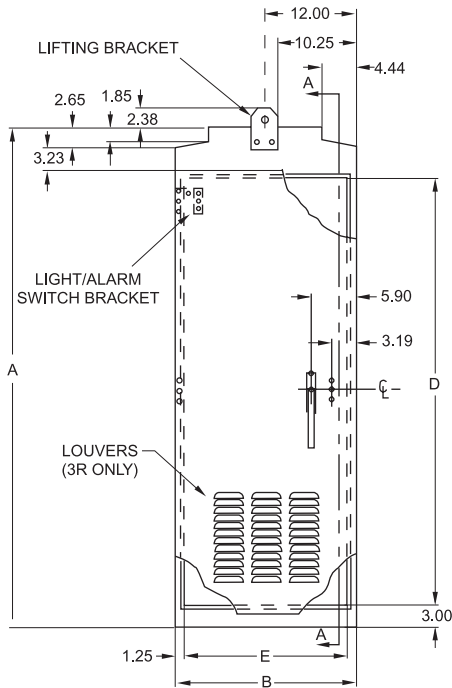
Optional rack frame shown installed



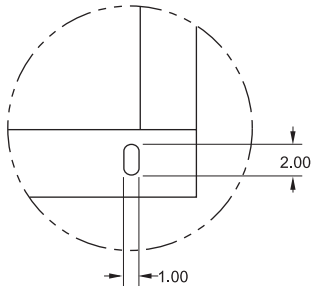
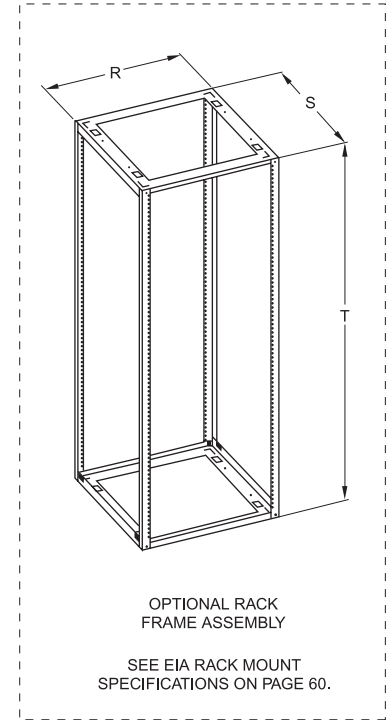
2. Painted enclosures are treated with an iron phosphate coating and dried by radiant heat. The standard finish coat is baked polyester powder.

FOR NEMA TYPE 4X RATING:

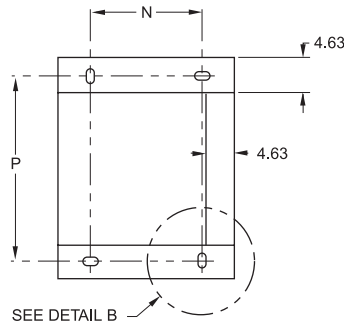
DELETE all vents and main door lock (Corbin #1548-1), and switch compartment assembly.
ADD all through holes are sealed.



SECTION A-A



DETAIL B



PAD MOUNTING PATTERN

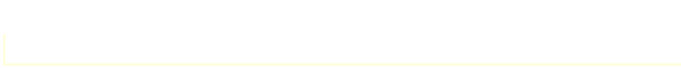
OPTIONS:

- Locks: Keying, Other Than Standard
- **Rack Frame Assembly**
- ~~Switch Compartment~~
- ~~Custom Equipment Mounting~~
- Climate Control
- ~~Air Conditioner~~
- ~~Sunshields~~
- ~~Insulation~~
- ~~Heater~~
- **Forced-Air Ventilation Fan (3R only)**

| CATALOG NUMBER | SUGGESTED MOUNTING OPTIONS | | | CABINET | | | DOOR OPENING | | SWITCH COMPARTMENT LOCATION | | AVAILABLE SPACE | | DOOR HEIGHT | PANEL | | PAD MTG. PATTERN | | GENERAL INFORMATION | | | |
|-----------------|----------------------------|------|-----|---------|-------|-------|--------------|-------|-----------------------------|---|-----------------|-------|-------------|-------|-----|------------------|-------|---------------------|-------|-------|-------|
| | PED | POLE | PAD | A | B | C | D | E | F | G | H | J | | K | L | M | N | P | Q | R | S |
| RM392420 | YES | YES | YES | 39.00 | 24.00 | 20.25 | 9.00 | 21.50 | OPTIONAL | | 25.75 | 16.50 | 31.25 | N/A | N/A | 15.00 | 15.00 | 22.75 | 20.00 | 15.75 | 27.25 |
| RM462420 | NO | YES | YES | 46.00 | 24.00 | 20.25 | 36.00 | 21.50 | OPTIONAL | | 32.75 | 16.50 | 38.25 | N/A | N/A | 15.00 | 15.00 | 22.75 | 20.00 | 15.75 | 34.25 |
| RM463026 | NO | YES | YES | 46.00 | 30.00 | 26.25 | 36.00 | 27.50 | OPTIONAL | | 32.75 | 22.25 | 38.25 | N/A | N/A | 21.00 | 21.00 | 28.50 | 20.00 | 20.75 | 34.25 |
| RM553026 | NO | YES | YES | 55.00 | 30.00 | 26.25 | 44.00 | 27.50 | OPTIONAL | | 41.75 | 22.25 | 47.25 | N/A | N/A | 21.00 | 21.00 | 28.50 | 20.00 | 20.75 | 43.25 |
| RM672430 | NO | NO | YES | 67.00 | 24.00 | 30.00 | 57.00 | 21.50 | OPTIONAL | | 53.75 | 26.25 | 59.25 | N/A | N/A | 15.00 | 25.00 | 32.50 | 20.00 | 20.75 | 55.25 |
| RM672438 | NO | NO | YES | 67.00 | 24.00 | 38.00 | 57.00 | 21.50 | OPTIONAL | | 53.75 | 34.25 | 59.25 | N/A | N/A | 15.00 | 33.00 | 40.50 | 20.00 | 29.25 | 55.25 |

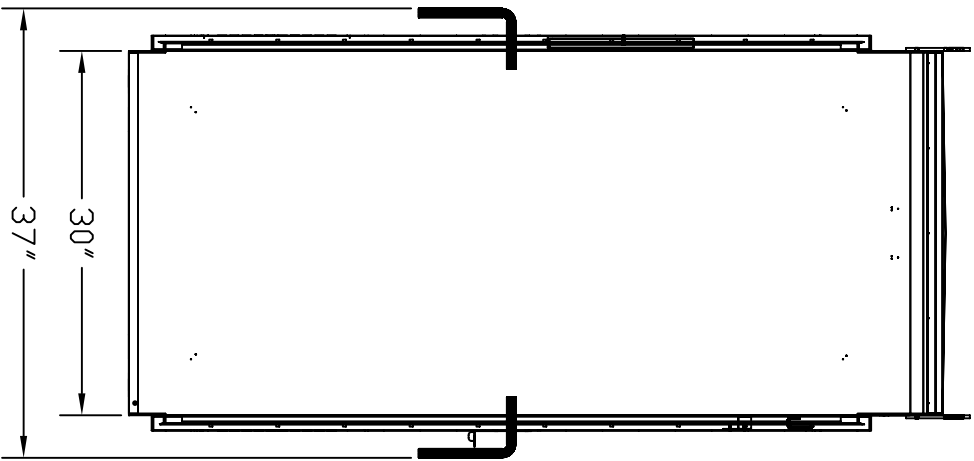
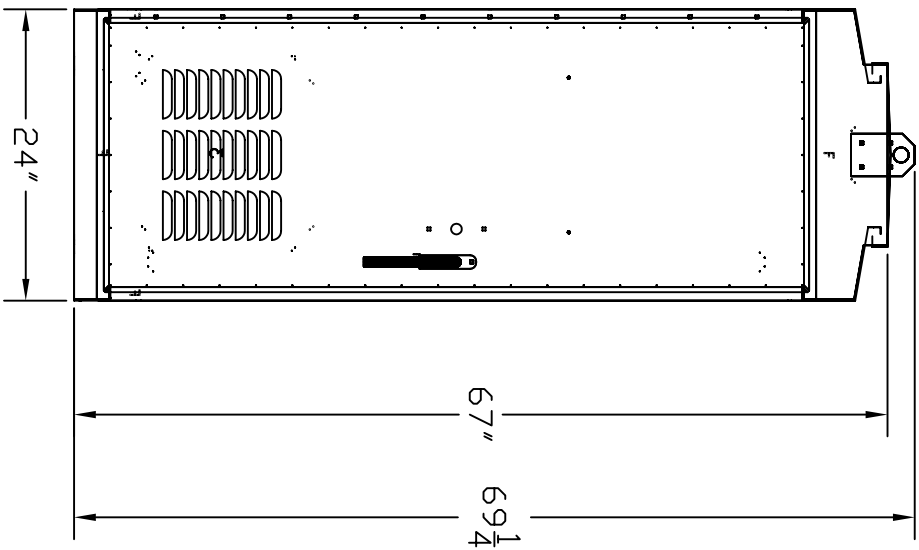
IRD Specification

UL Listed Enclosure NEMA 3R 19" EIA Rack Mount Style 67"H x 24"W x 30"D .125 5052 Aluminum Construction with a Natural Mill Finish Includes Front and Rear Access, 3 Pt. Main Door Latches With Corbin Main Door Locks, Three Position Door Stops, Vented Louvers, Metal Air Filters, Aluminum Screen Tacked In Over Exhaust Areas Inside Top and the Louvers on Doors, Neoprene Door Gasket, Plastic Plan Holder, Panel /Terminal Holder, Fiber Cable Hooks, , Door Light-Alarm Switch, Low Temp Bulb Ballast, and Provisions for Pad Mounting.



IRD# 580066

Mfger Part# RM672430

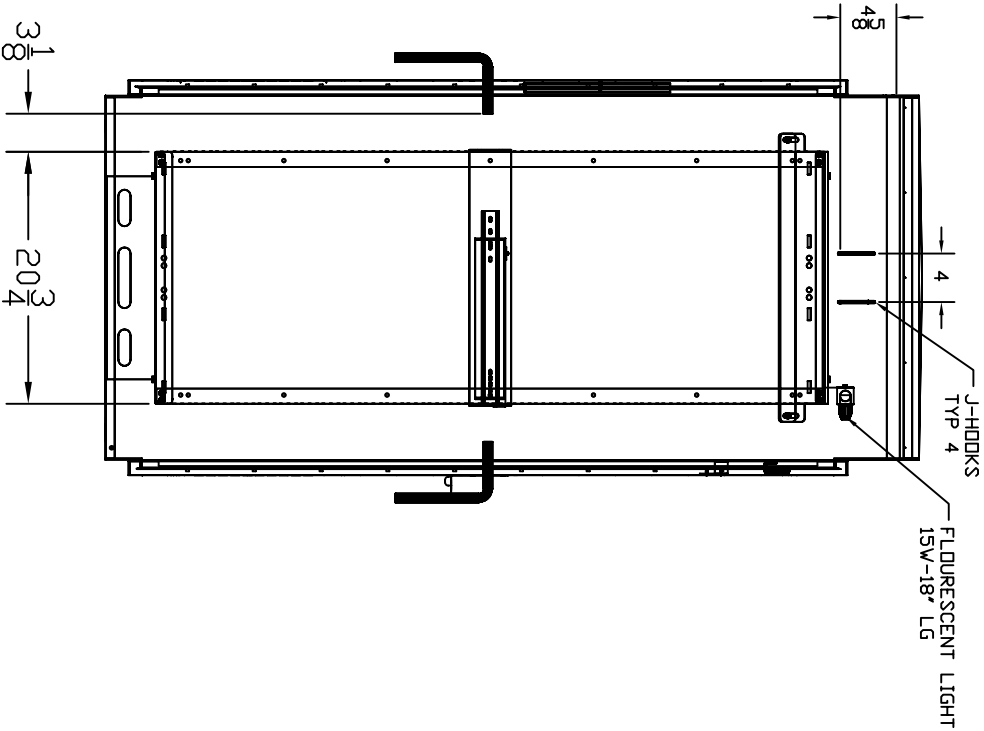
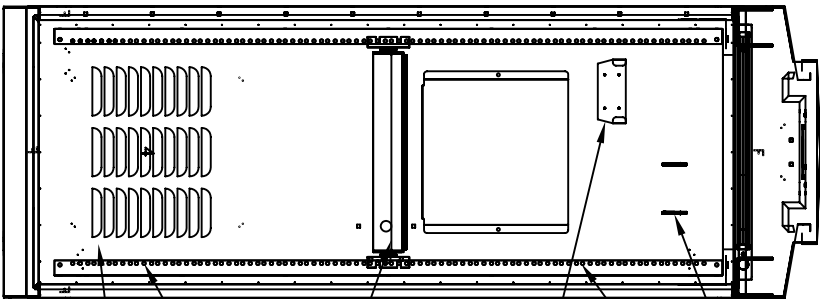


MATERIAL:
 .125 5052-H32 ALUMINUM
 NATURAL

- FEATURES:
1. UL LISTED NEMA TYPE 3R
 2. DOORS FRONT & REAR, BOTH HINGED ON LH SIDE
 3. PAD MOUNT
 4. CORBIN #2 MAIN DOOR LOCKS

| REV. | DATE | SUBMITTAL ONLY | DESCRIPTION | DATE | ENGINEER |
|--|------|----------------|--------------|--|----------|
| REVISIONS | | | | | |
| DIMENSIONS ARE IN INCHES. UNLESS OTHERWISE SPECIFIED TOLERANCES ARE: FRACTIONS .005 FIMS DECIMALS .01" ANGLES ± 1/16° | | | | | |
| APPROVALS | | | DATE | SPECIFICATION DRAWING | |
| DRAWN: JEFF K. CHECKED: | | | 9/21/08 | SIZE: 11" x 17" 1-550-000178 SCALE: 1:10 | |
| BEND RADIUS: 90° BEND RADIATION: 7° BEND RADIUS: 1/8" BEND RADIATION: | | | SHEET 1 OF 3 | | |

TITLE PART NUMBER QUANTITY MATERIAL



TOTAL PART NUMBER QUANTITY MATERIAL

| REV. | DATE | SUBMITTAL ONLY | DESCRIPTION | DATE | ENGINEER |
|-----------|------|----------------|-------------|------|----------|
| REVISIONS | | | | | |

CONFIDENTIAL AND PROPRIETARY PROPERTY OF
APX ENCLOSURES, INC.

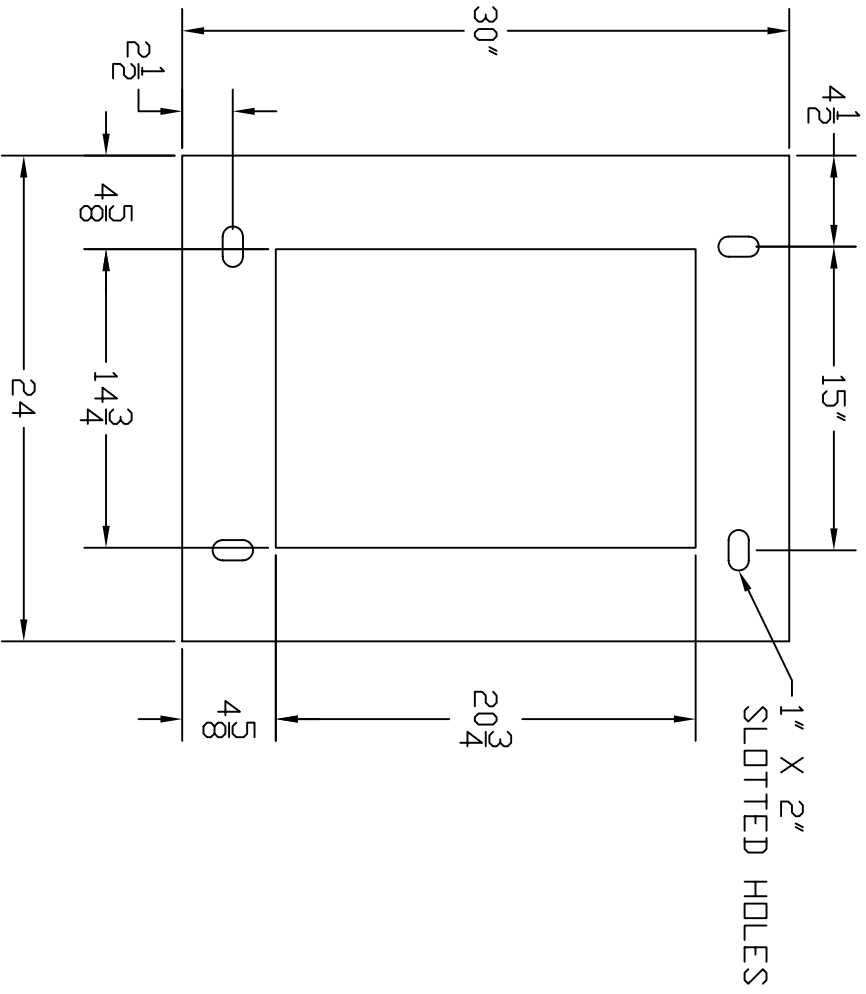
APPROVALS DATE SPECIFICATION DRAWING

| | | | | |
|------------|--------------|------------|------------------|--------------|
| REV. 01 | DATE 9/21/08 | SIZE 11x17 | NO. 1-550-000178 | REV. 01 |
| SCALE 1:10 | | | | SHEET 2 OF 3 |

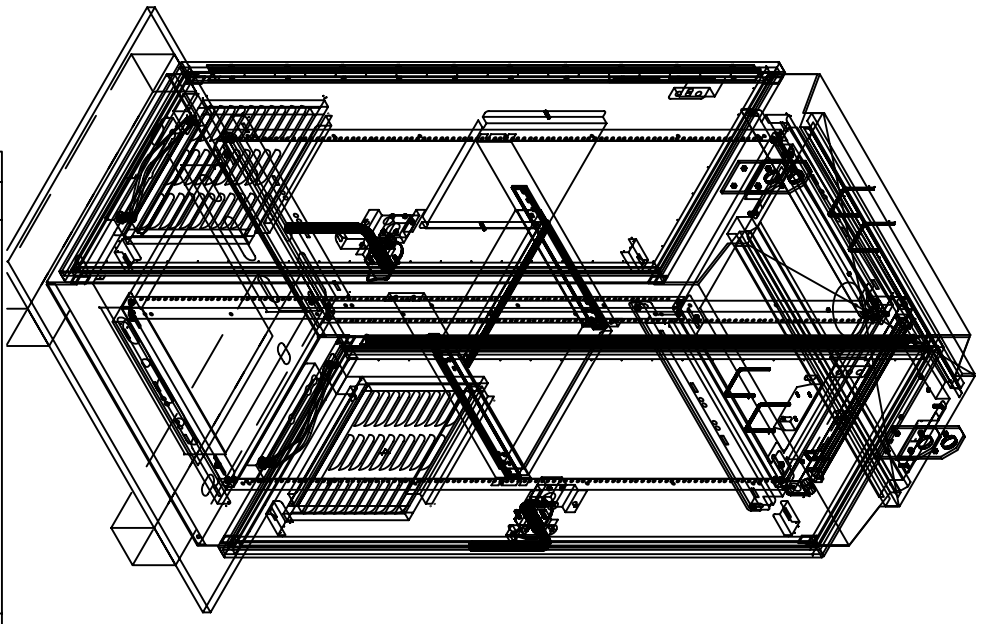
UNLESS OTHERWISE SPECIFIED
DIMENSIONS ARE IN INCHES.
TOLERANCES ARE:
FRACTIONS .005 INCHES
DECIMALS .01"
ANGLES ± 1/16°

END RADIUS 90°
END RADIUS 75°
END RADIUS 1/8"
END RADIUS

TITLE PART NUMBER QUANTITY MATERIAL



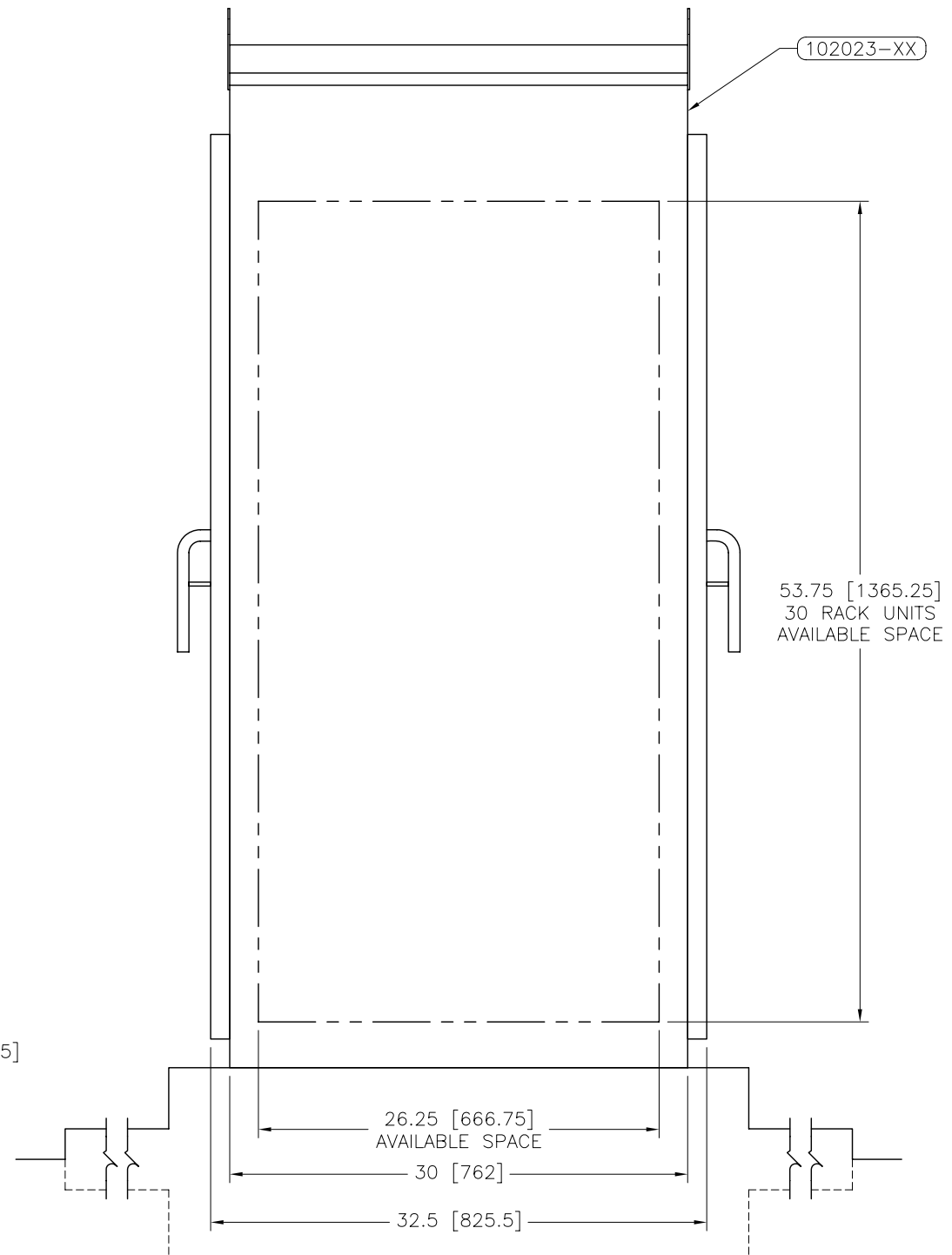
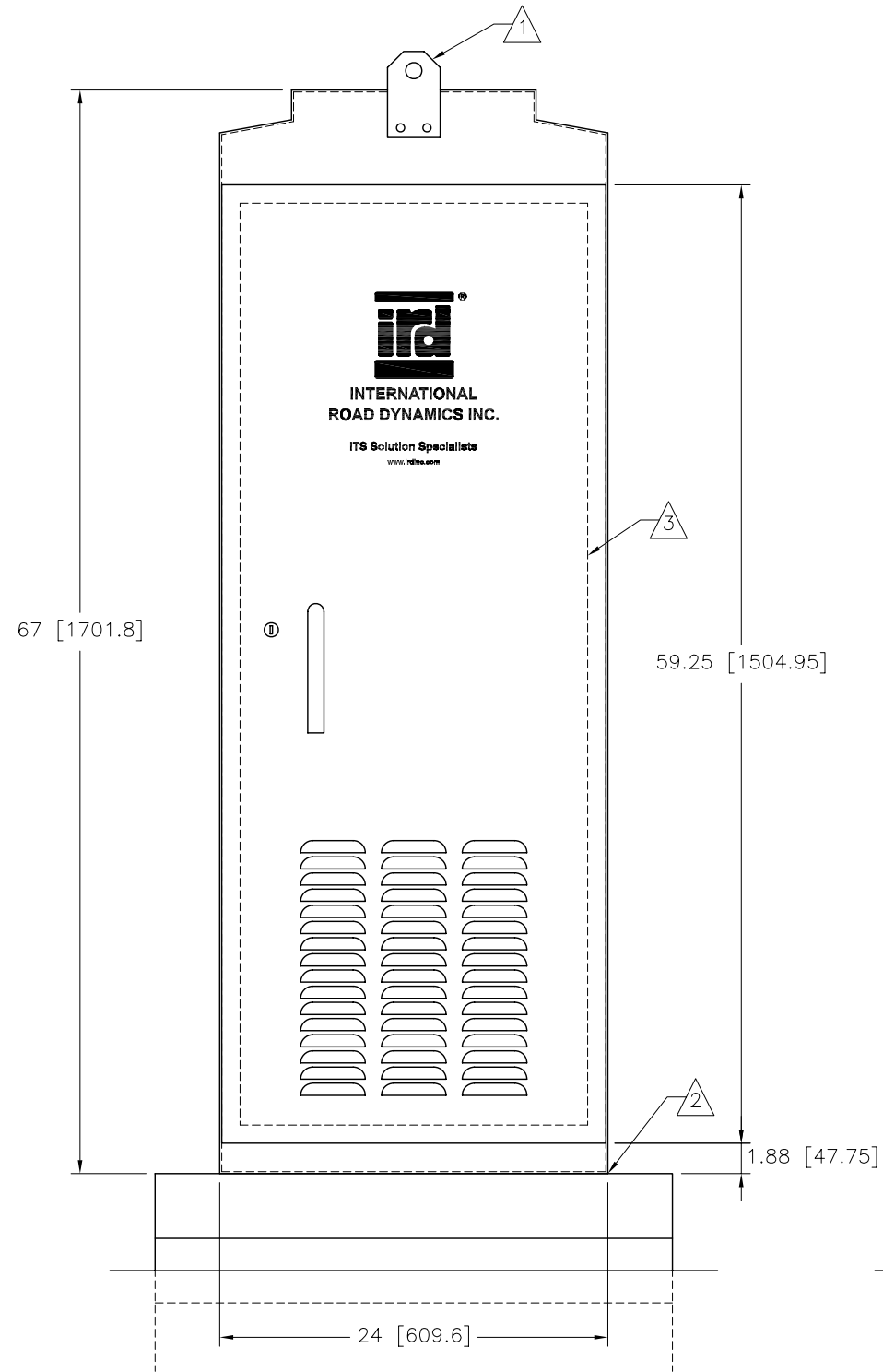
MOUNTING PATTERN



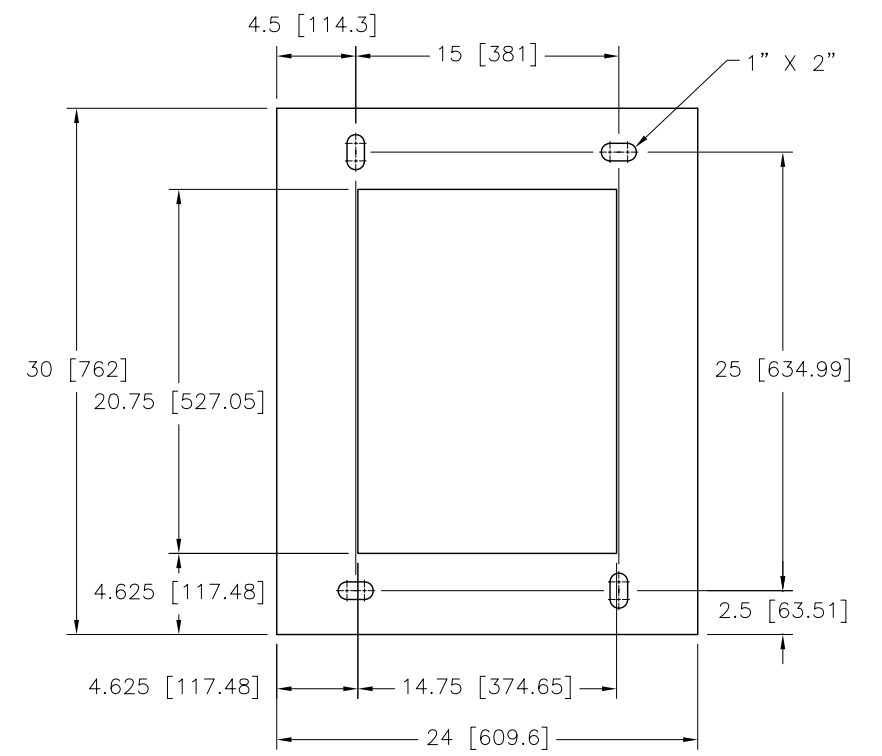
| REV. | DATE | DESCRIPTION | DATE | ENGINEER |
|--|------|-------------|--|----------|
| | | | | |
| REVISIONS | | | | |
| DIMENSIONS ARE IN INCHES. UNLESS OTHERWISE SPECIFIED TOLERANCES ARE: FRACTIONS .005 INCHES DECIMALS .01" ANGLES ± 1/16° | | | | |
| APPROVALS: DATE _____ 9/21/08 | | | SPECIFICATION DRAWING | |
| CONFIDENTIAL AND PROPRIETARY PROPERTY OF APX ENCLOSURES, INC. | | | SIZE: 11x17 1-550-000178 SCALE: 1:10 SHEET 3 OF 3 | |

FRONT VIEW

SIDE VIEW



PAD MOUNTING PATTERN



ORIGINAL

NOTES:

- 1 LIFTING EYE. MAY BE UNBOLTED AND ROTATED 180° FOR STORAGE.
- 2 SEAL CABINET TO FOUNDATION JOINT WITH SILICONE SEALANT TO PREVENT WATER INTRUSION. LOCATE CABINET ABOVE HIGH WATER LEVEL.
- 3 REMOVABLE 19" EIA RACK.

| REV. | DESCRIPTION | DWN/DSN | APPR. | APPR. | DATE |
|------|-----------------|---------|-------|-------|-----------|
| A | INITIAL RELEASE | JGi/DPr | DPr | DBo | Mar 30/06 |
| | | | | | |
| | | | | | |
| | | | | | |

CONFIDENTIAL
 THIS DOCUMENT CONTAINS INFORMATION PROPRIETARY TO IRD AND IS THEREFORE NOT TO BE DISCLOSED TO OTHERS OR USED FOR PRODUCTION WITHOUT WRITTEN PERMISSION FROM INTERNATIONAL ROAD DYNAMICS INC.

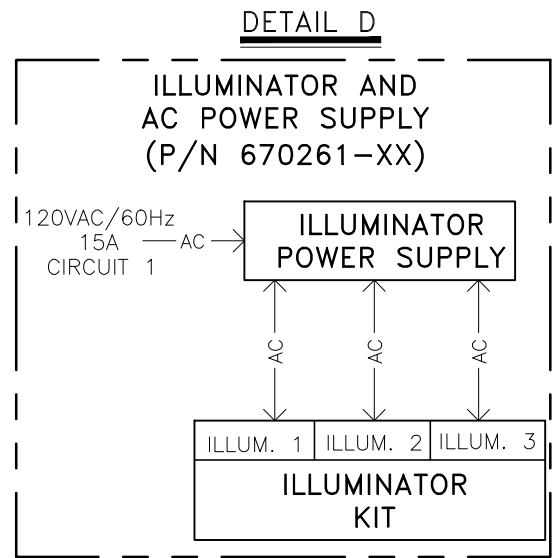
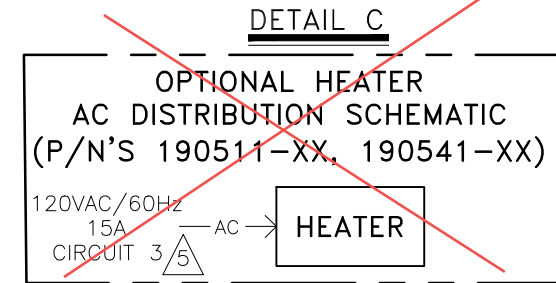
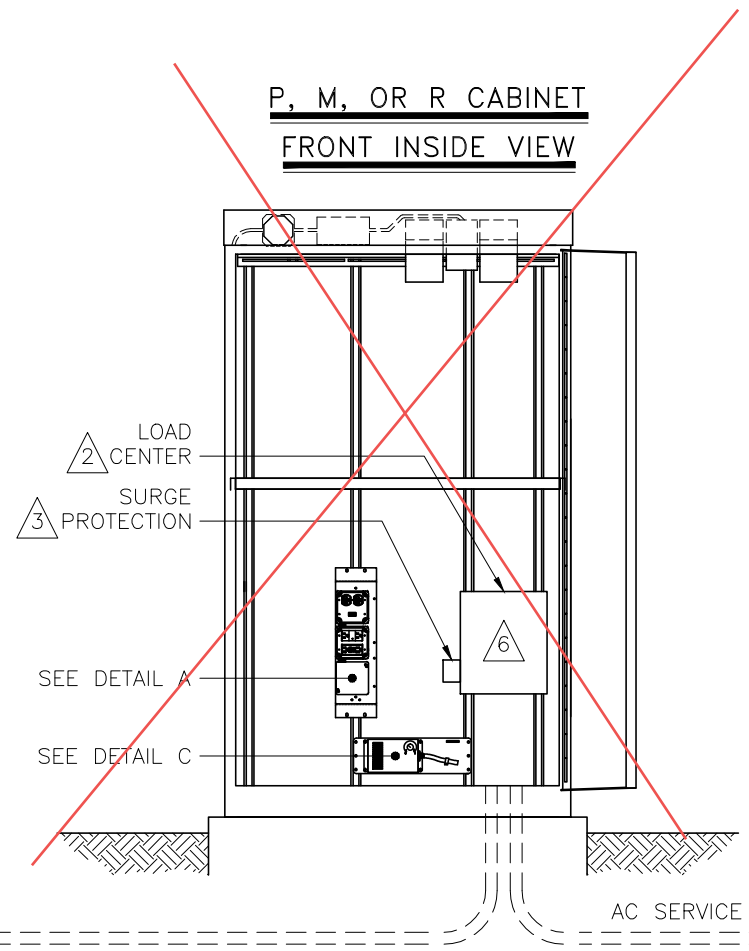
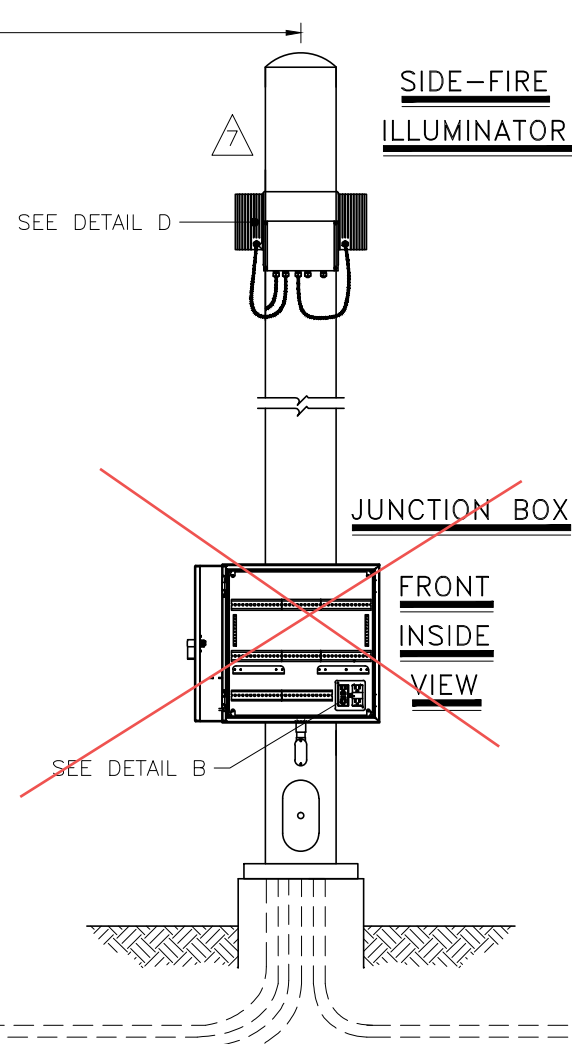
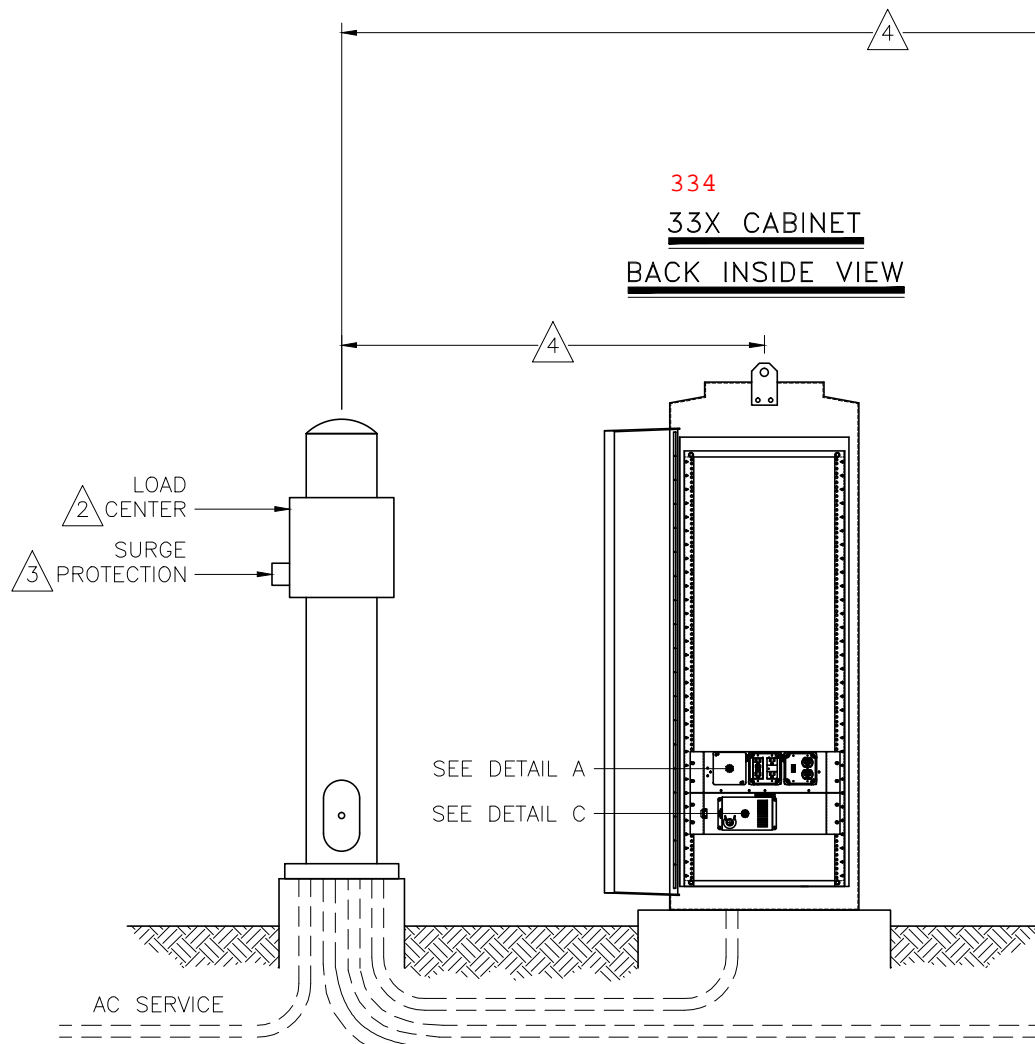
NOT TO SCALE
 SIZE: B
 DIMENSIONS IN: INCHES [mm]

INTERNATIONAL ROAD DYNAMICS INC. SASKATOON SASKATCHEWAN CANADA

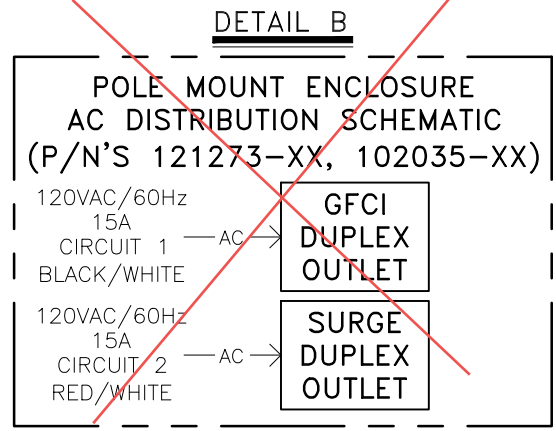
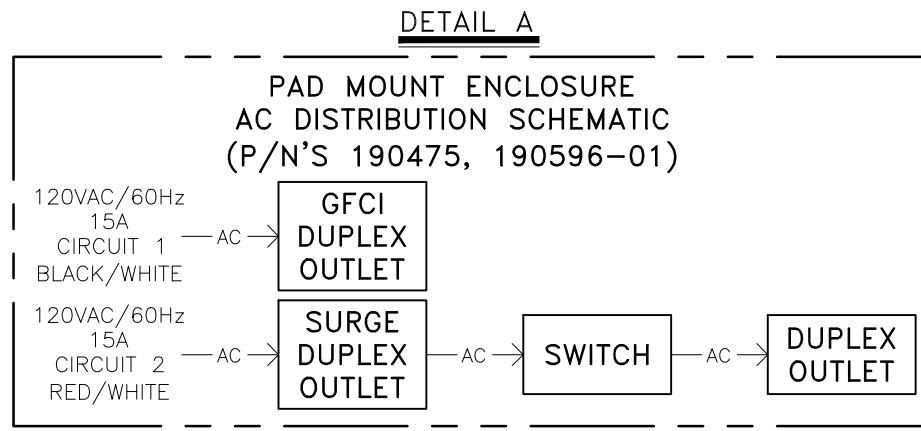
DWG. TITLE: **INSTALLATION 334 NEMA 3R SERIES iCBNT ROADSIDE ELECTRONICS**

DWG. No. **81300902** REV.: A

CAD FILE: 81300902.DWG SHEET 1 OF 1



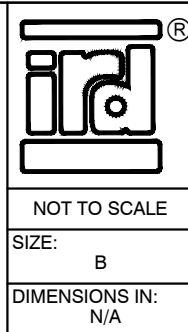
ORIGINAL



- NOTES:**
- 1 ALL ELECTRICAL DEVICES, GROUNDING, BONDING, WIRING AND MOUNTING MUST MEET THE CANADIAN ELECTRICAL CODE PART I AND/OR NATIONAL ELECTRICAL CODE NFPA70 AND LOCAL ELECTRICAL CODE.
 - 2 PROVIDE SUITABLE INDOOR OR OUTDOOR LOAD CENTER. IRD RECOMMENDS FOR CSA USE SQUARE D P/N CQ018M100RB60 OR P/N Q02L70RB, FOR UL USE P/N Q0112M100RB OR P/N Q024L70RB OR EQUIVALENT.
 - 3 EQUIPMENT MUST BE PROTECTED WITH AN ANSI/IEEE C62.41 CATEGORY C RATED PROTECTION DEVICE WITH A MINIMUM PEAK CURRENT HANDLING CAPABILITY OF 36KA (8/20μS) INSTALLED AT THE LOAD CENTER OR SUB LOAD CENTER.
 - 4 30m MAXIMUM CABLE LENGTH BETWEEN CATEGORY C PROTECTOR AND ENCLOSURE(S).
 - 5 CIRCUIT 3 OPTIONAL DEPENDING ON PRESENCE OF HEATER.
 - 6 LOAD CENTER MAY BE LOCATED INSIDE ENCLOSURE WHERE SPACE PERMITS.
 - 7 REFER TO PRODUCT DOCUMENTATION FOR OEM EQUIPMENT NOT SHOWN.

| REV. | DESCRIPTION | DWN/DSN | APPR. | APPR. | DATE |
|------|--|---------|-------|-------|------------|
| C | CHANGES AS PER ECO-04 | SSt/MGa | MLo | BMc | JAN 9/07 |
| D | MODIFY AC DISTRIBUTION PANEL TO MATCH 190475; SECONDARY ENCLOSURE WIRING; NOTES AS PER ECO-11. | JGi/BMc | DPr | RBe | July 24/09 |
| E | ADJUST NOTES 3 & 5 PER REDLINES - ECO-2248. | JGi/CHe | CHe | MLo | MAR 18/11 |
| F | REFER TO REDLINES - ECO-2890 | JGi/MLo | MLo | SpJ | AUG. 25/11 |
| G | CHANGED AS PER ECO-6095. | YMa | | | APR.22/14 |

CONFIDENTIAL
 THIS DOCUMENT CONTAINS INFORMATION PROPRIETARY TO IRD AND IS THEREFORE NOT TO BE DISCLOSED TO OTHERS OR USED FOR PRODUCTION WITHOUT WRITTEN PERMISSION FROM INTERNATIONAL ROAD DYNAMICS INC.



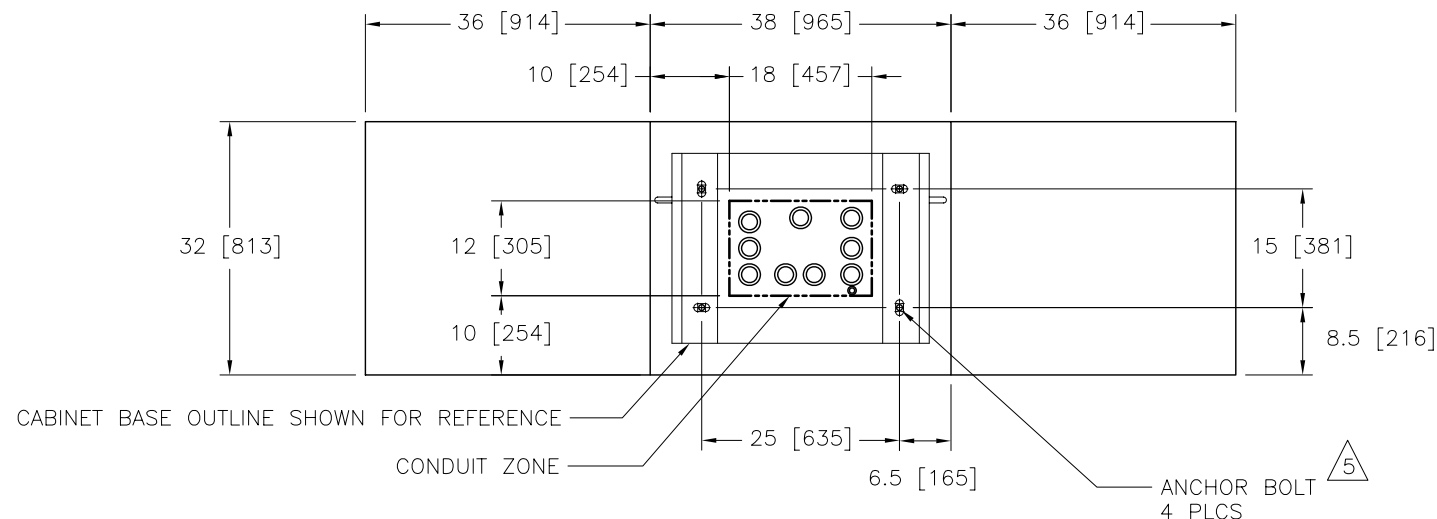
INTERNATIONAL ROAD DYNAMICS INC. SASKATOON SASKATCHEWAN CANADA

DWG. TITLE: **120VAC CABINET POWER INSTALLATION ROAD SIDE ELECTRONICS**

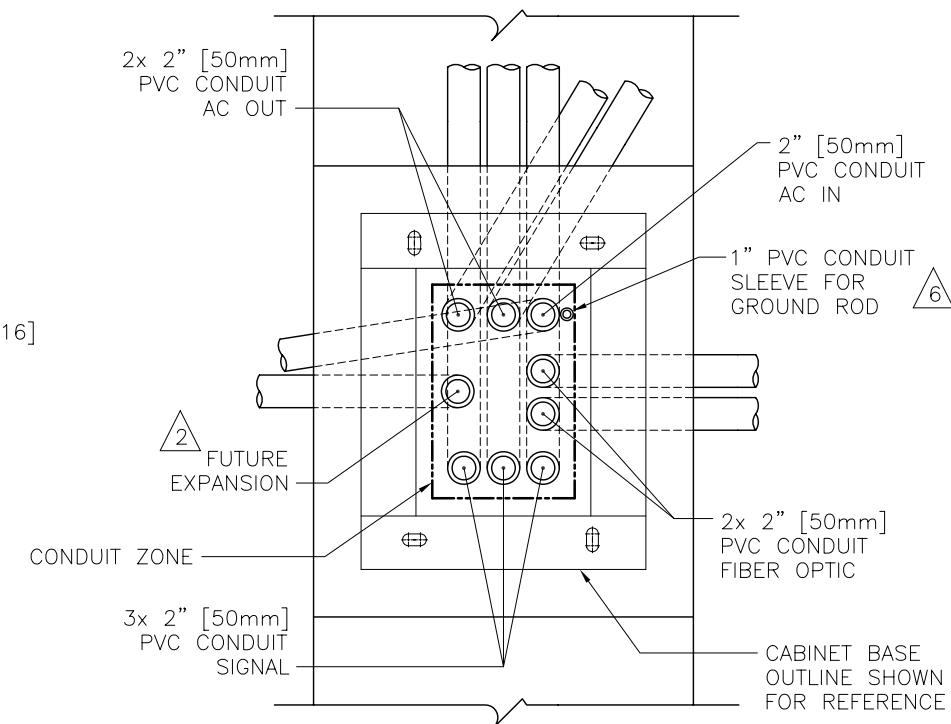
DWG. No. **81300907** REV.: G

CAD FILE: 81300907.DWG SHEET 1 OF 1

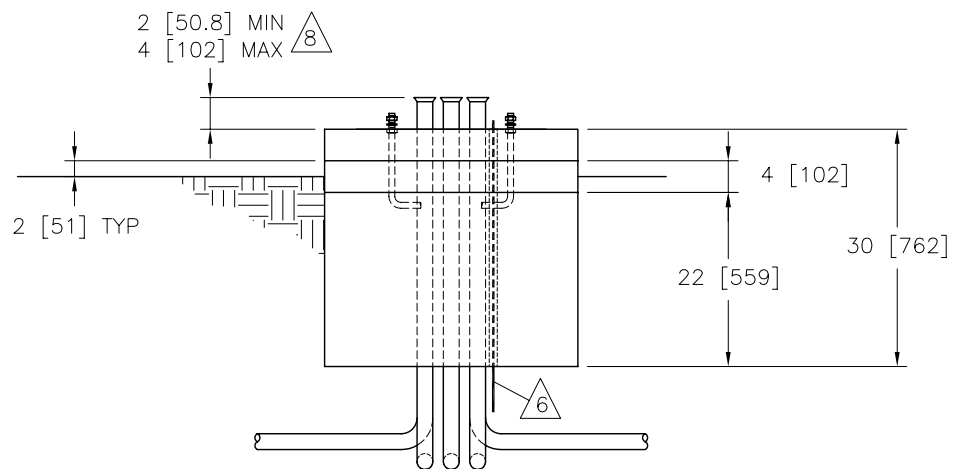
TOP VIEW – CABINET MOUNTING



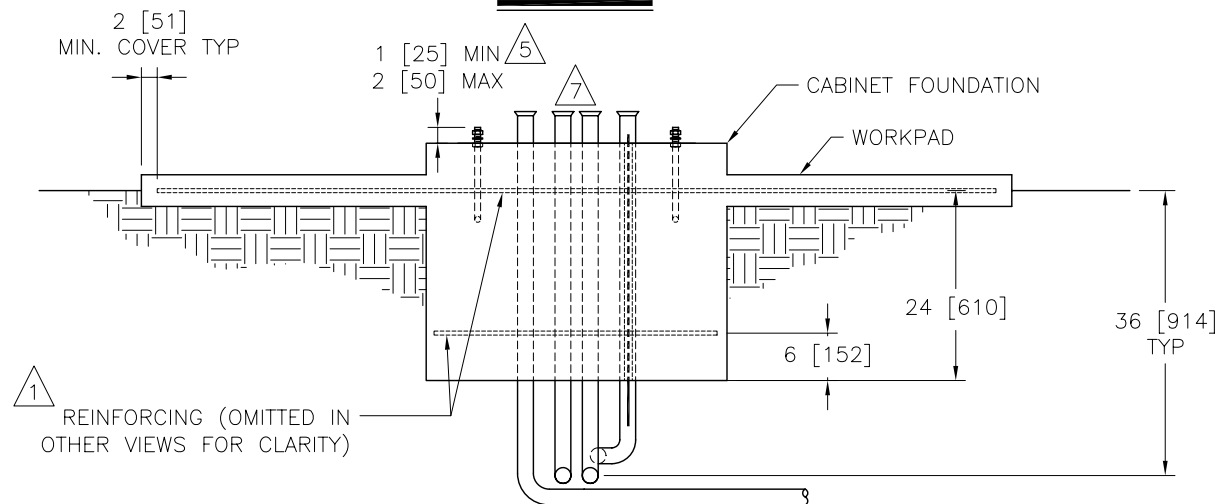
DETAIL A – MINIMUM CONDUITS



FRONT VIEW



SIDE VIEW



NOTES:

- 1 INSTALL REINFORCING MATS. #4 [12M] BAR 12" [300mm] ON CENTER EACH WAY. EPOXY COAT OR GALVANIZE. REINFORCEMENTS ARE MINIMUM REQUIREMENTS AND MAY BE SUPERSEDED BY LOCAL CONSTRUCTION CODES.
- 2 SPARE CONDUIT MUST BE CAPPED, STUBBED 24" [600mm] PAST FOUNDATION, AND LABELED.
- 3 ALL CONDUITS SHOWN SHALL BE FURNISHED AND INSTALLED IN FOUNDATION IN ACCORDANCE WITH LOCAL CODES. CAP IF NOT USED. ADDITIONAL CONDUITS MAY BE REQUIRED. CONDUITS SHALL EXIT FOUNDATION IN DIRECTION APPROPRIATE FOR SITE GEOMETRY.
- 4 CONCRETE SHALL HAVE COMPRESSIVE STRENGTH OF 3000 PSI [20.7 MPa] MINIMUM.
- 5 CABINET ANCHORS MUST BE GALVANIZED OR STAINLESS STEEL AND MAY BE CAST IN PLACE, CHEMICAL OR EXPANSION TYPE DRILLED INTO BASE. TYPICAL SIZE IS 3/4" NC x 12" x 4".
- 6 GROUND ROD MUST BE PROVIDED TO MEET LOCAL ELECTRICAL CODE.
- 7 SEAL ALL CONDUIT ENDS WITH STEEL WOOL AND DUCT SEAL TO REDUCE RODENT OR INSECT INTRUSION AND MOISTURE. DO NOT USE PERMANENT SEALANT AS CONDUITS MAY NEED TO BE REENTERED IN THE FUTURE FOR CABLE REPLACEMENT OR ADDITIONS.

NOTES: (CONTINUED)

- 8 THE CABINET BASE CONDUIT MUST BE HIGHER THAN SURROUNDING PULL BOXES. THE HEIGHT OF CONDUITS ENDING IN THE CABINET MUST BE HIGHER THAN THE OTHER END TO PREVENT WATER ENTRY DUE TO HYDROSTATIC PRESSURE. ALL CONDUITS SHALL HAVE END BELLS INSTALLED OR NO SHARP EDGES.

ORIGINAL

| REV. | DESCRIPTION | DWN/DSN | APPR. | APPR. | DATE |
|------|-----------------|---------|-------|-------|-----------|
| A | INITIAL RELEASE | JGi/DPr | DPr | DBo | Mar 30/06 |
| | | | | | |
| | | | | | |
| | | | | | |

CONFIDENTIAL
THIS DOCUMENT CONTAINS INFORMATION PROPRIETARY TO IRD AND IS THEREFORE NOT TO BE DISCLOSED TO OTHERS OR USED FOR PRODUCTION WITHOUT WRITTEN PERMISSION FROM INTERNATIONAL ROAD DYNAMICS INC.

NOT TO SCALE
SIZE: B
DIMENSIONS IN: INCHES [mm]

INTERNATIONAL ROAD DYNAMICS INC. SASKATOON SASKATCHEWAN CANADA

DWG. TITLE: **CABINET FOUNDATION 334 SERIES iCBNT ROADSIDE ELECTRONICS**

DWG. No. **81300905** REV.: A

CAD FILE: 81300905.DWG SHEET 1 OF 1