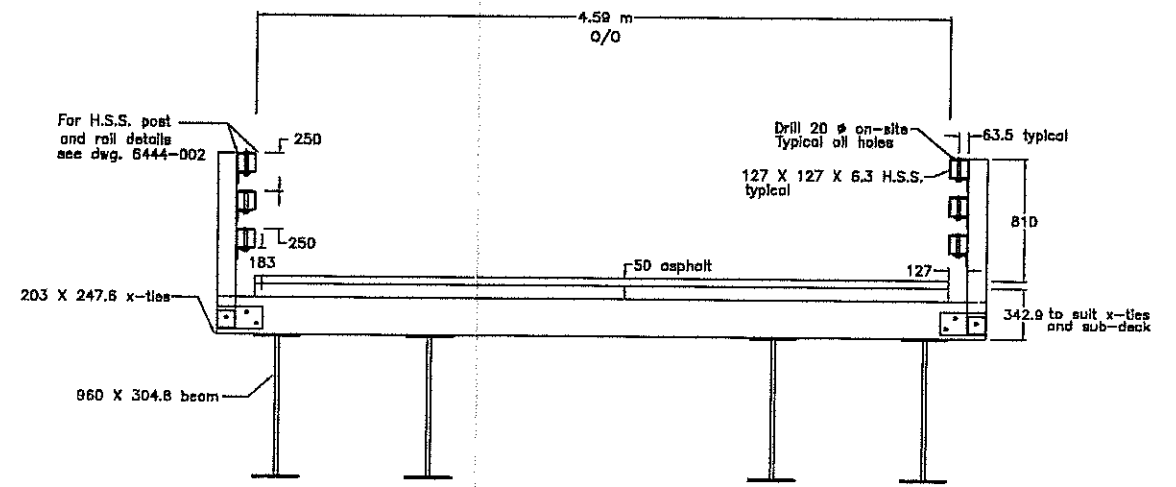
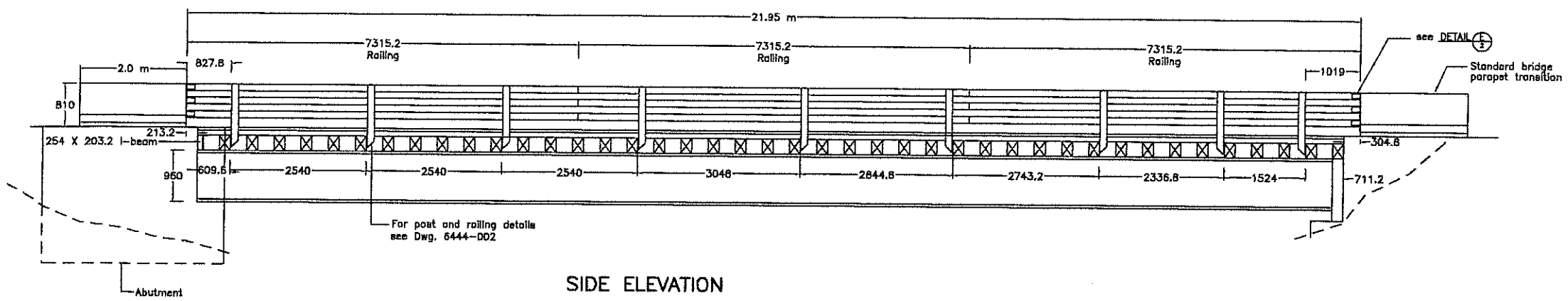


PLAN VIEW
SCALE: 1:50

NOTE
Railing Required
6 sections @ 7315



SECTION A
SCALE 1:25



SIDE ELEVATION
SCALE: 1:50

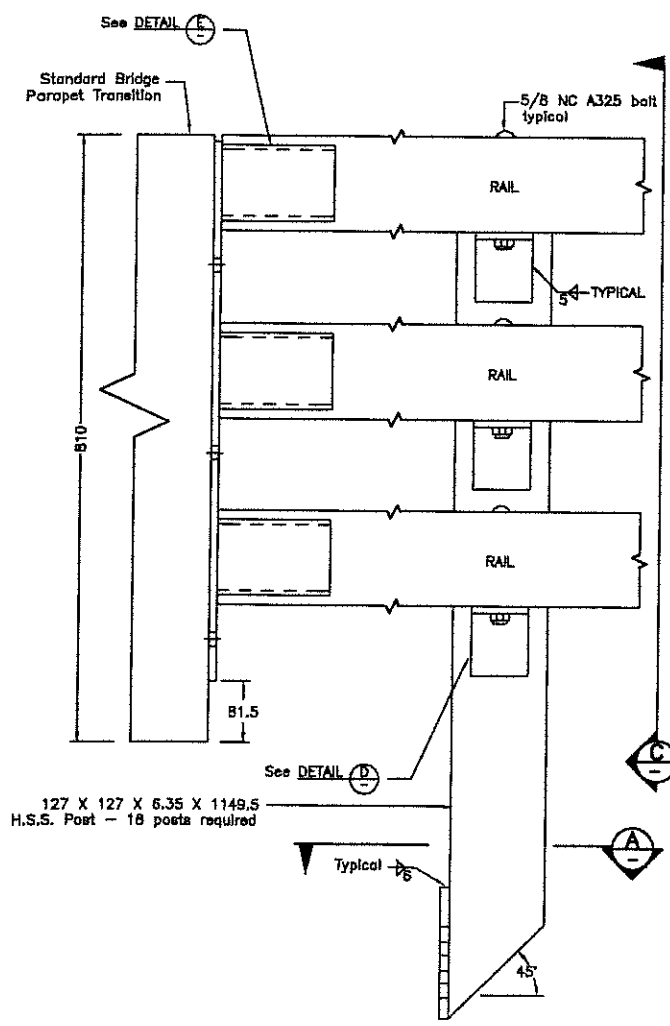
Province of British Columbia
MINISTRY OF TRANSPORTATION AND HIGHWAYS
REGIONAL OPERATIONS BRIDGE SECTION
NORTH WEST REGION

DECK DETAILS
TSEAX 80 BRIDGE NO. 6444
NISGA'A HIGHWAY
SKEENA HIGHWAY DISTRICT

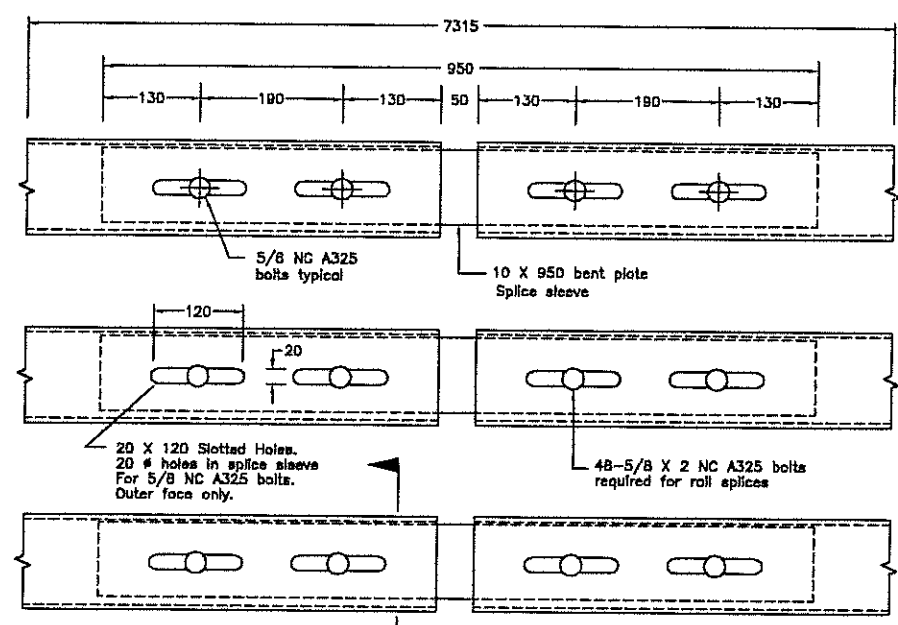
DESIGNED D. HJORTH	DATE Mar 98
REGIONAL BRIDGE ENGINEER	QUALITY CONTROL DATE
DATE	DRAWN NJA DATE Apr 98
FILE No.	PROJECT No. 08009
REV. 5	DRAWING No. 6444-001

Rev	Date	REVISIONS	Signature

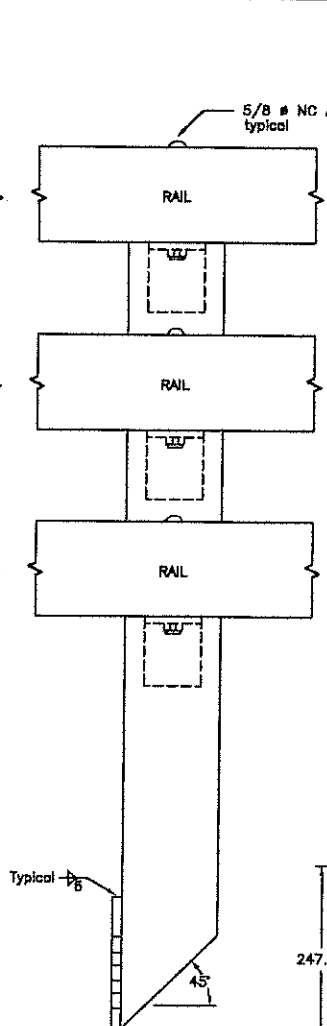
CANCEL PRINTS BEARING PREVIOUS LETTER



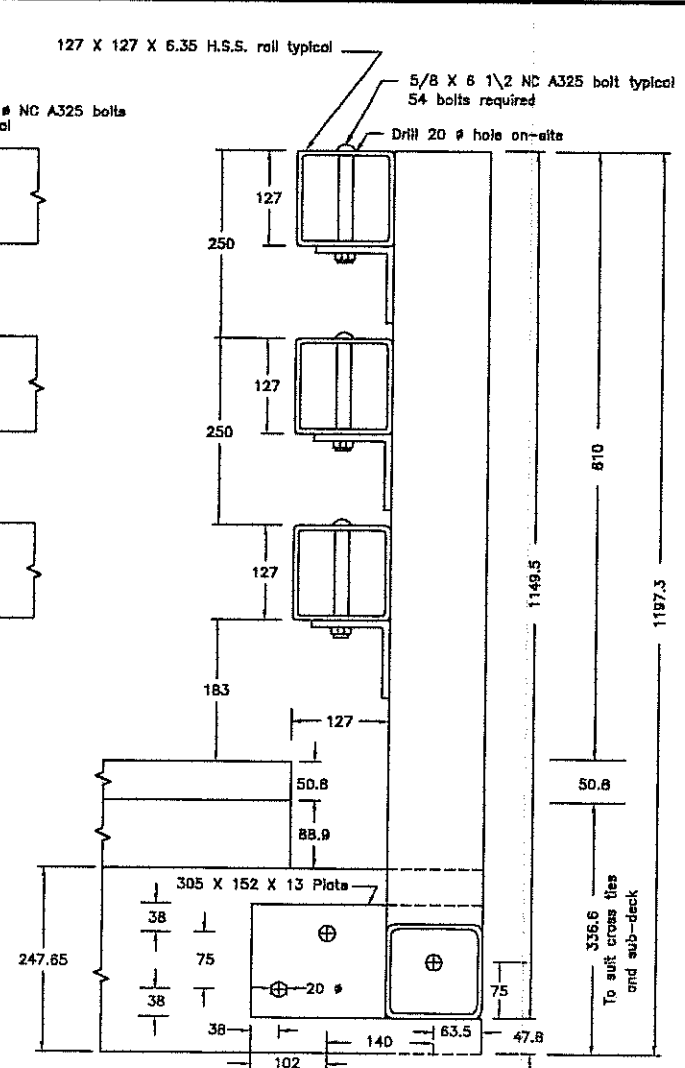
ELEVATION INSIDE FACE
SCALE: 1:5



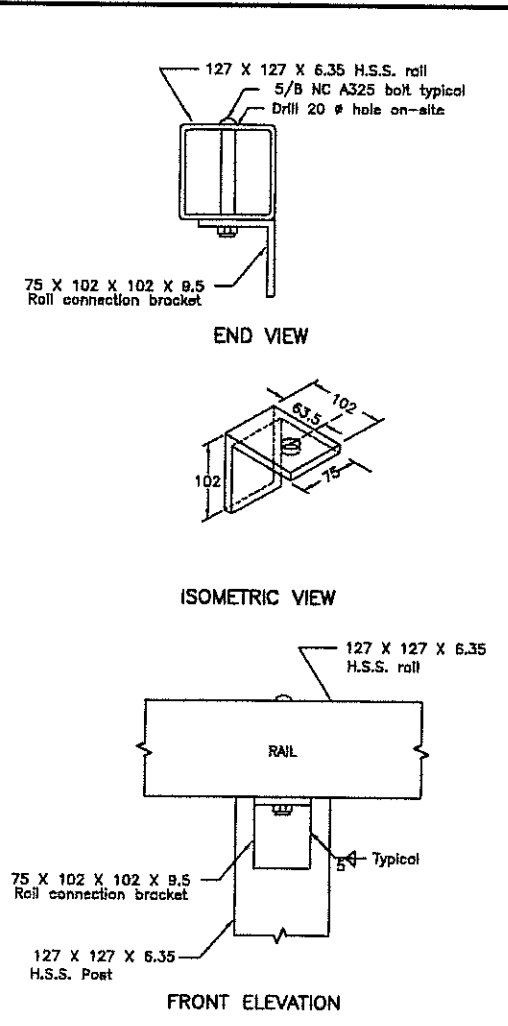
DETAIL OF RAIL SPLICE OUTSIDE FACE
SCALE: 1:5



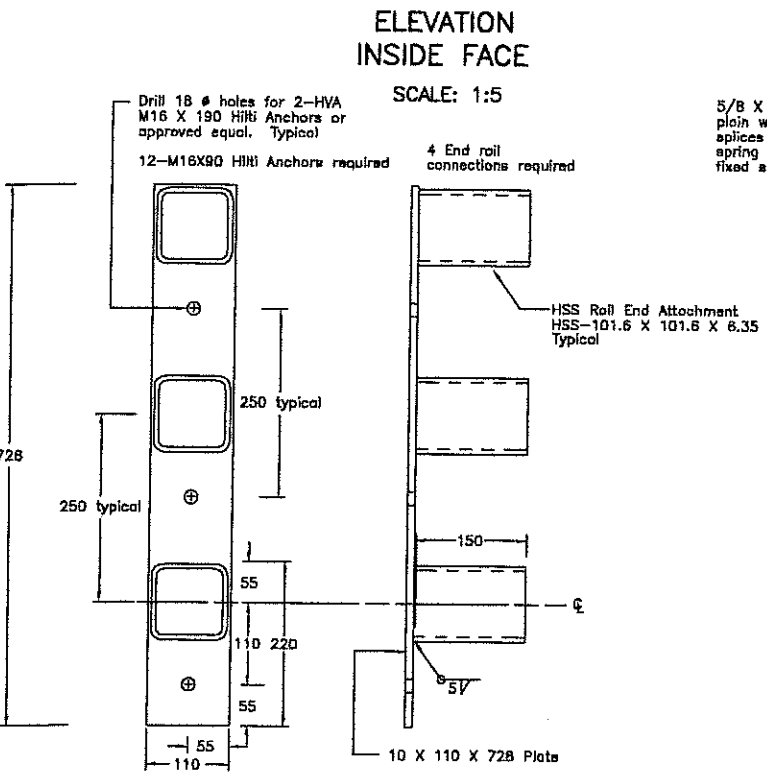
ELEVATION OUTSIDE FACE
SCALE: 1:5



SECTION C
SCALE 1:5

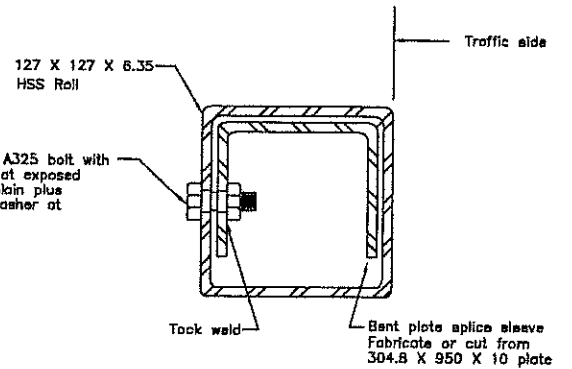


DETAIL D
SCALE 1:5
RAIL CONNECTION BRACKET

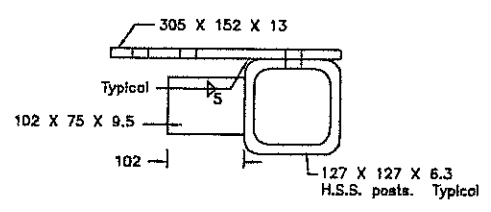


DETAIL E
SCALE 1:5

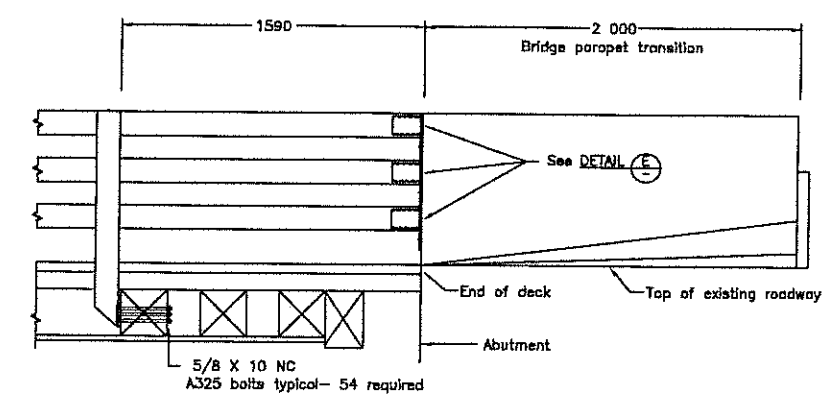
RAIL END ATTACHMENT



SECTION B
SCALE 1:10



SECTION A
SCALE 1:5



ELEVATION - OUTSIDE FACE
SCALE: 1:20

NOTE: Barrier Units to be fabricated in accordance with Section 323 of the Standard Specifications for Highway Construction.

DETAIL AT ENDS OF RAILING

Rev	Date	REVISIONS	Signature

Province of British Columbia
MINISTRY OF TRANSPORTATION AND HIGHWAYS
REGIONAL OPERATIONS BRIDGE SECTION
NORTH WEST REGION

RAILING DETAILS
TSEAX 80 CREEK BRIDGE NO. 6444
NISGA'A HIGHWAY
SKEENA HIGHWAY DISTRICT

DESIGNED D. HJORTH	DATE Apr 98
REGIONAL BRIDGE ENGINEER	QUALITY CONTROL
DATE	DATE May 98
FILE No.	PROJECT No. 08009
REV. 5	DRAWING No. 6444-002

CANCEL PRINTS BEARING PREVIOUS LETTER