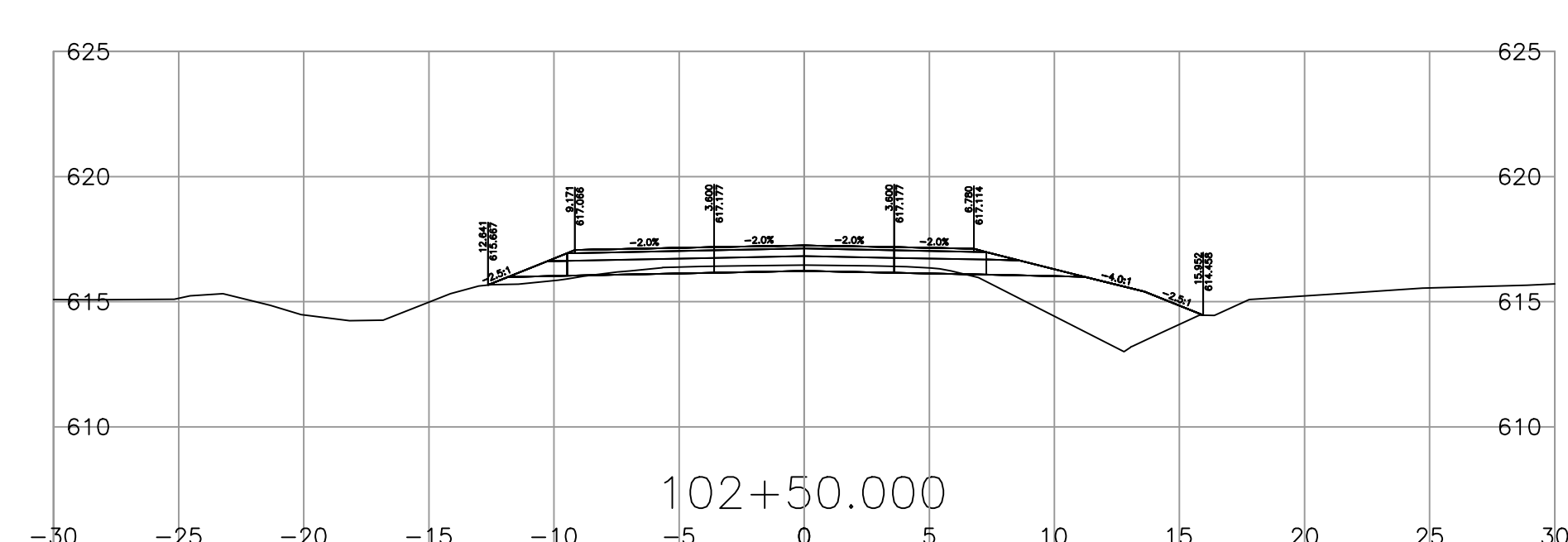
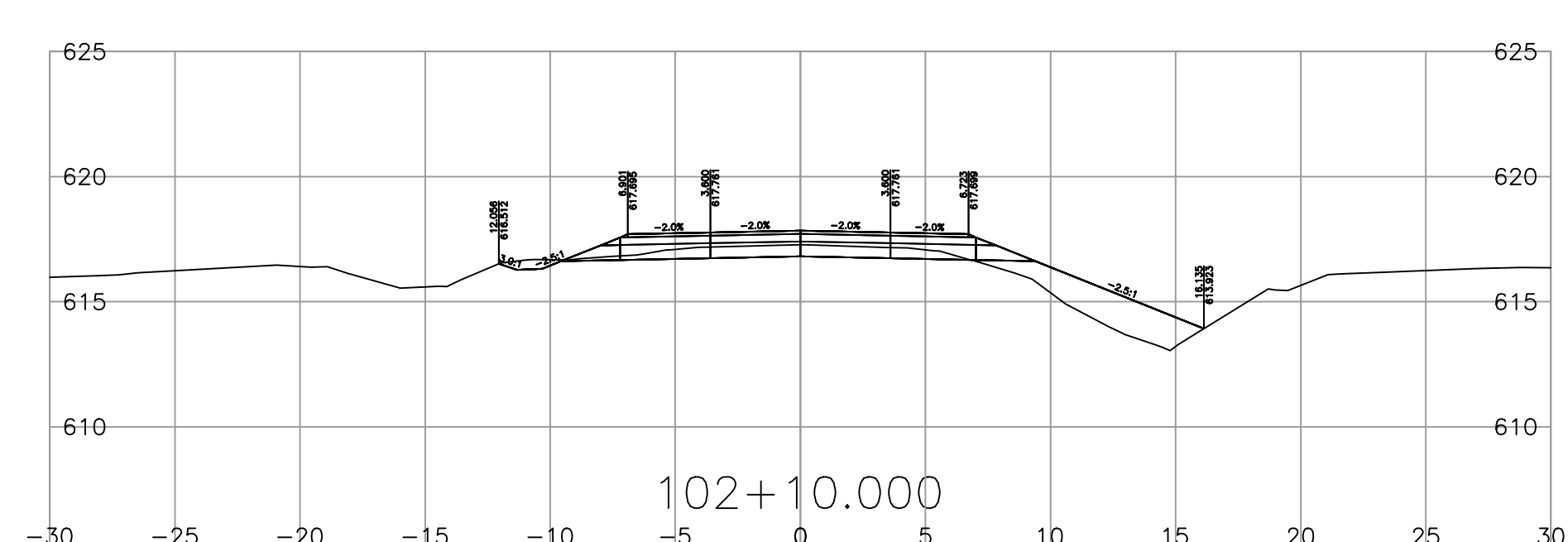
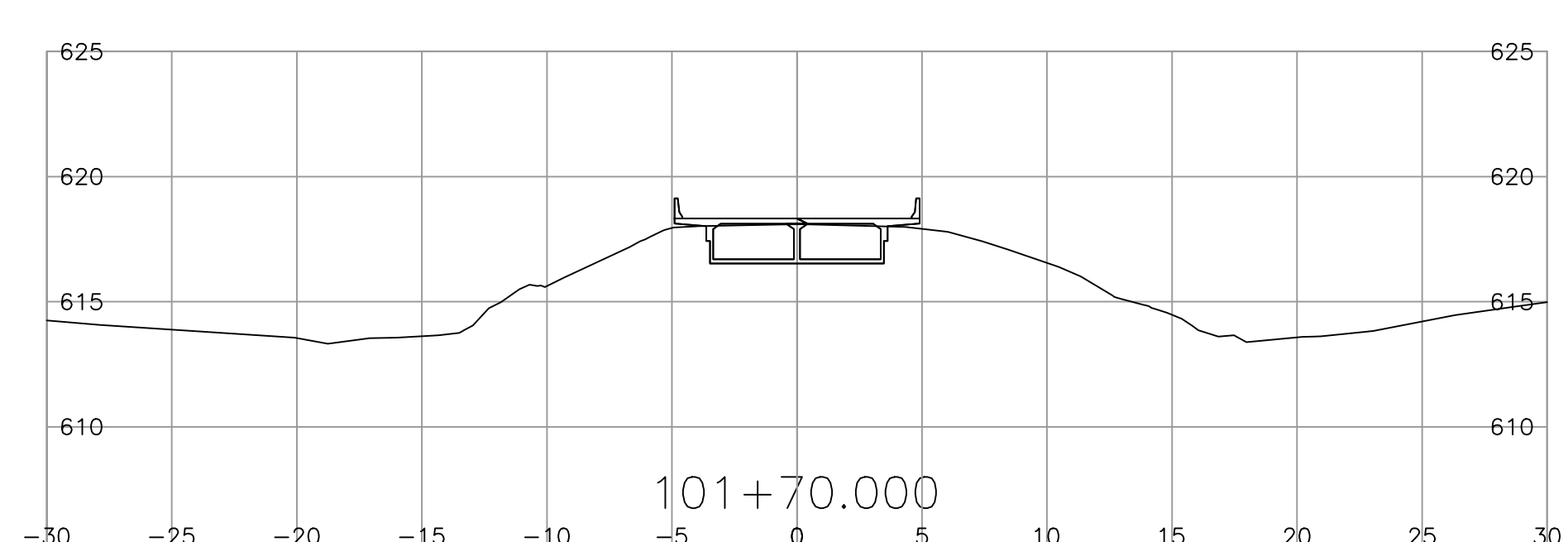
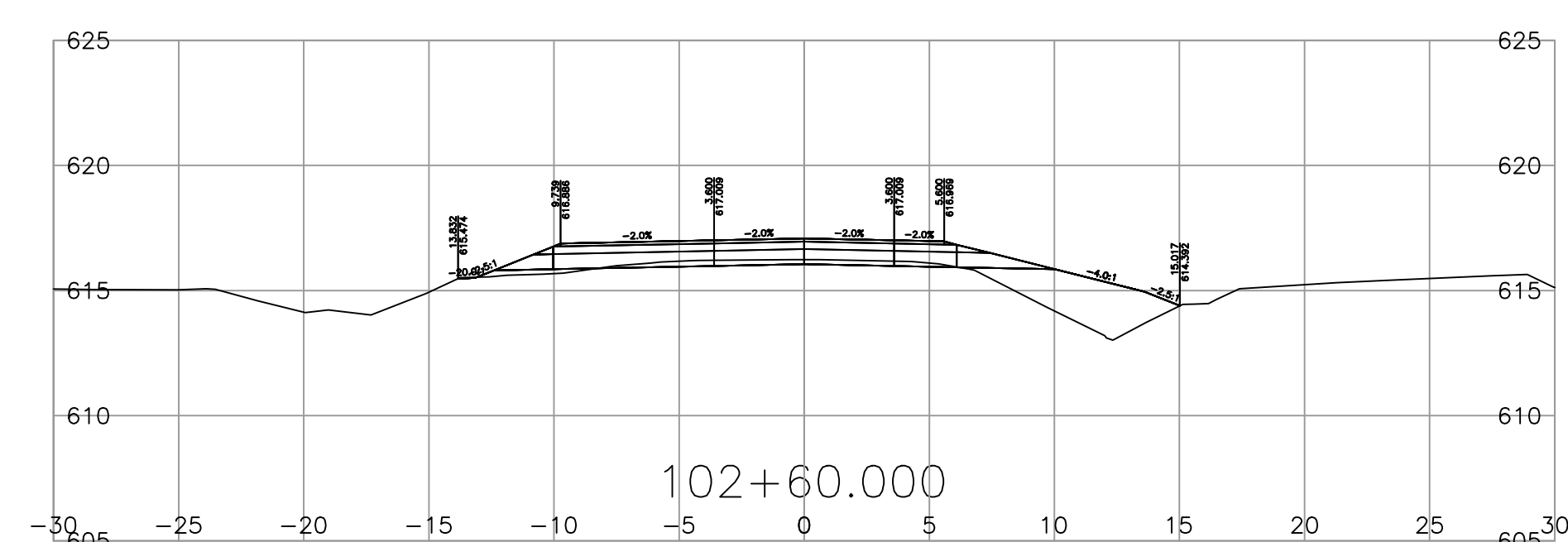
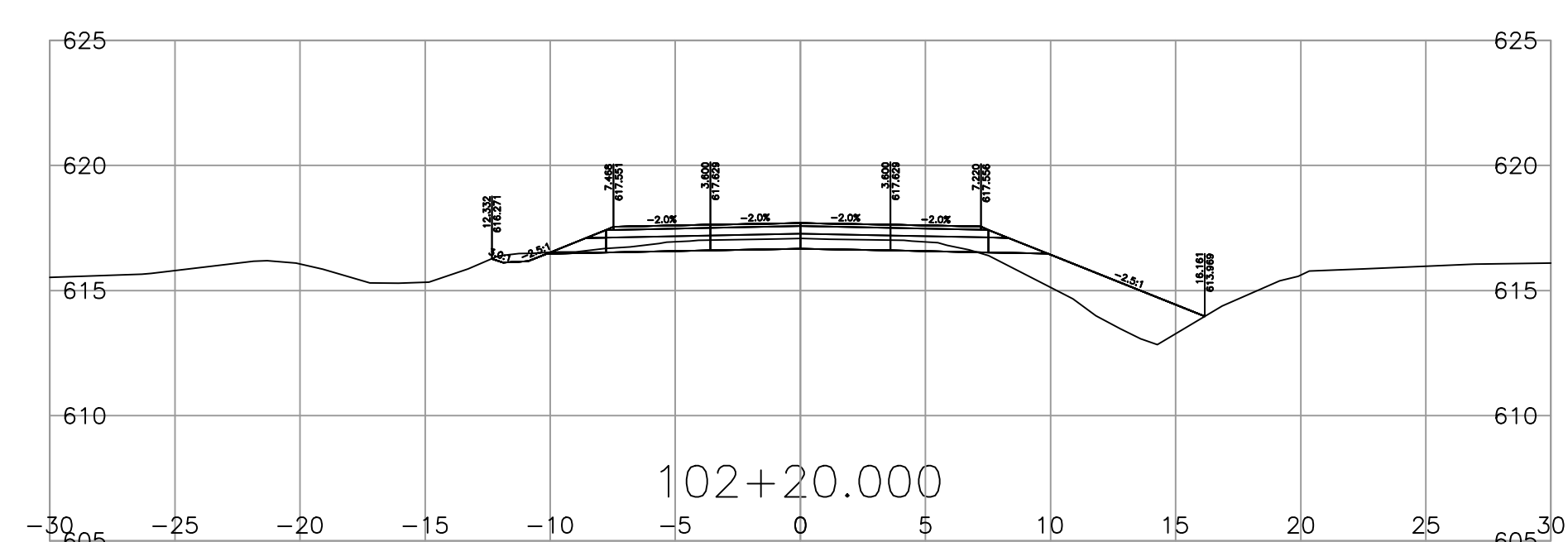
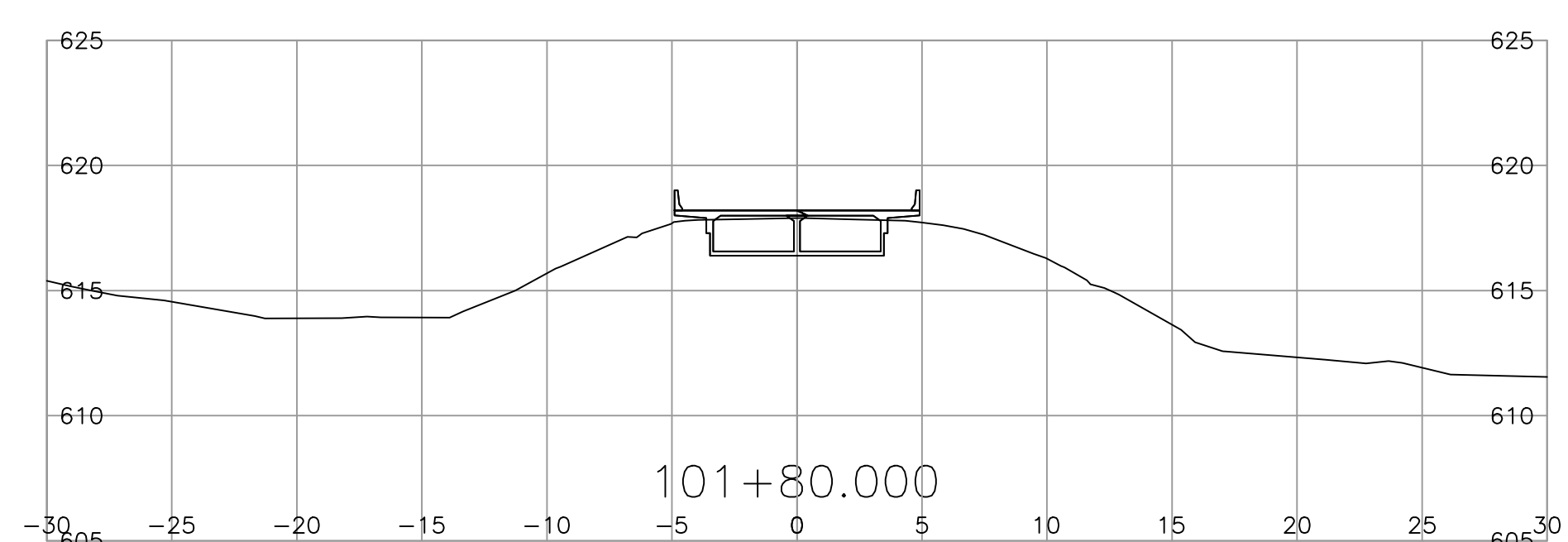
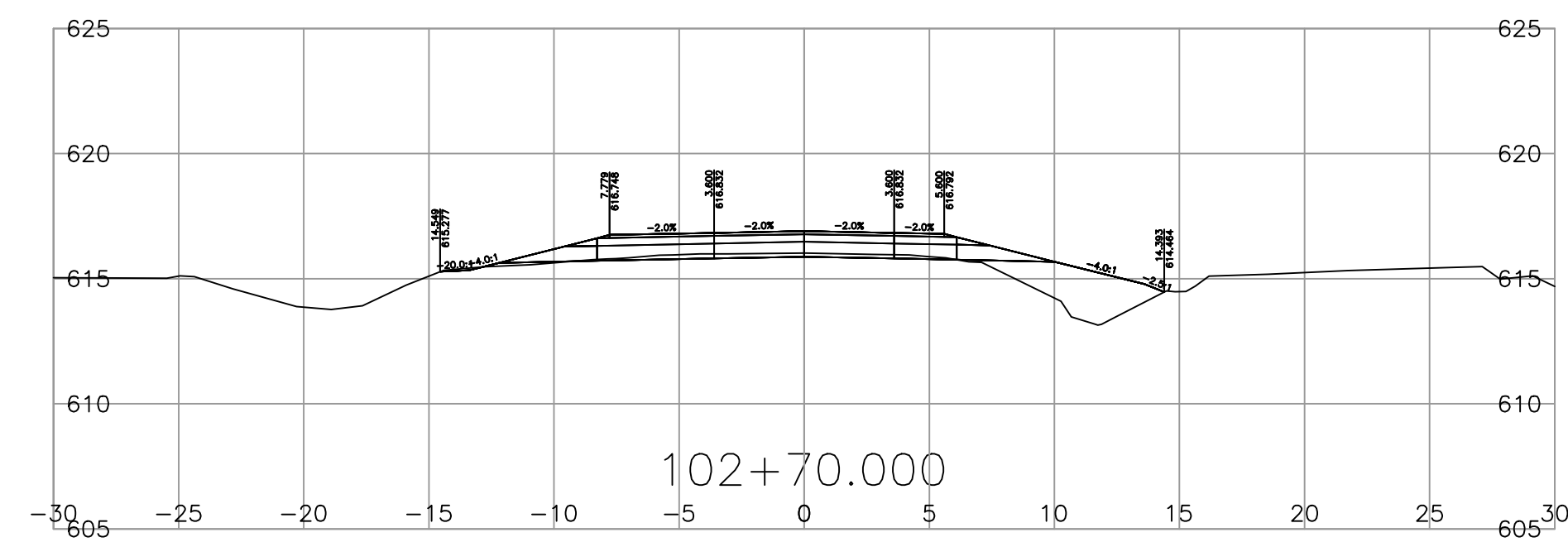
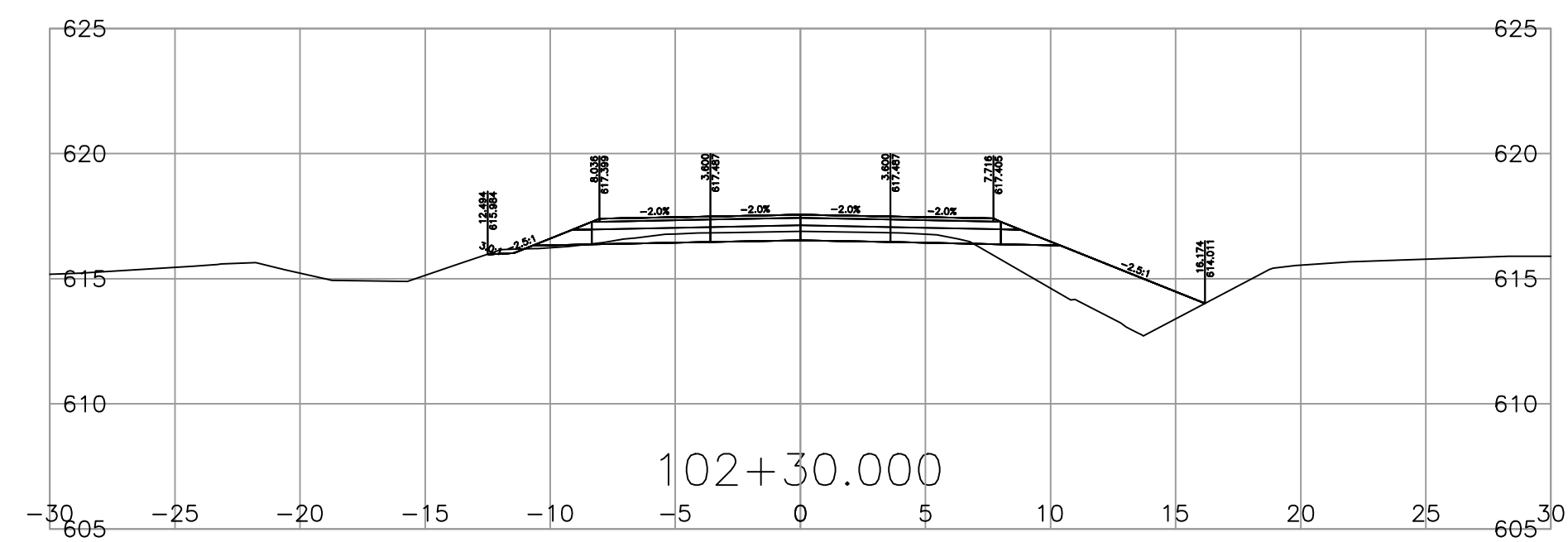
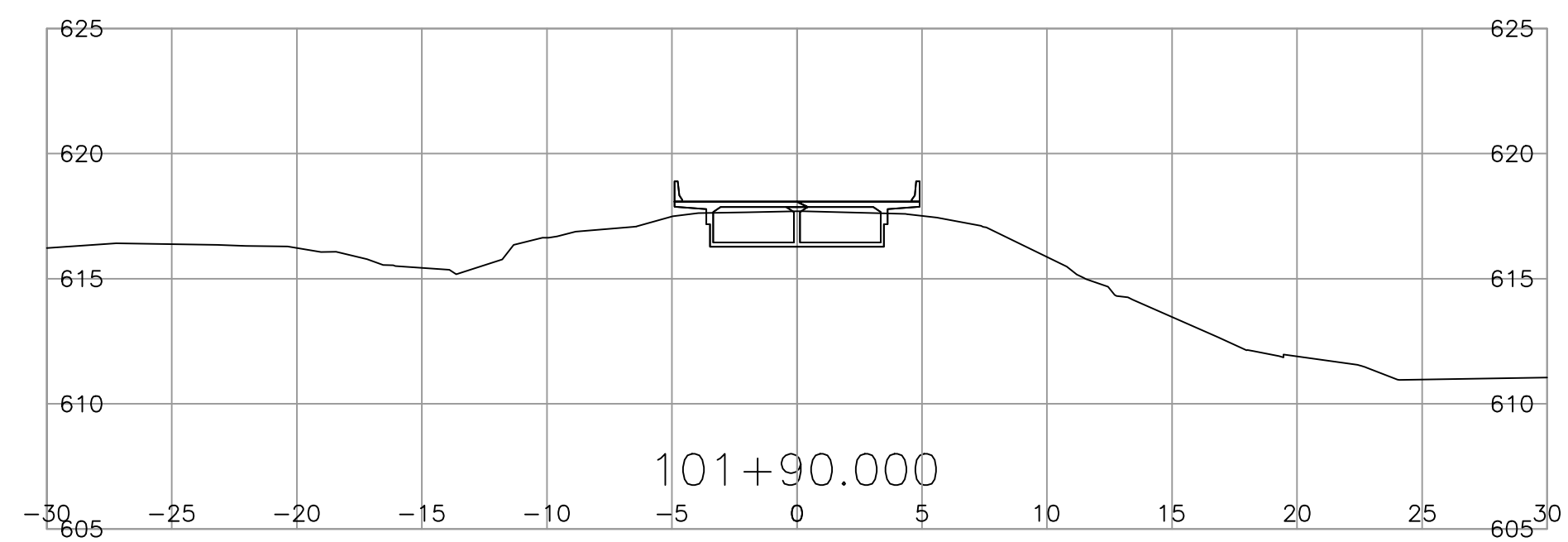
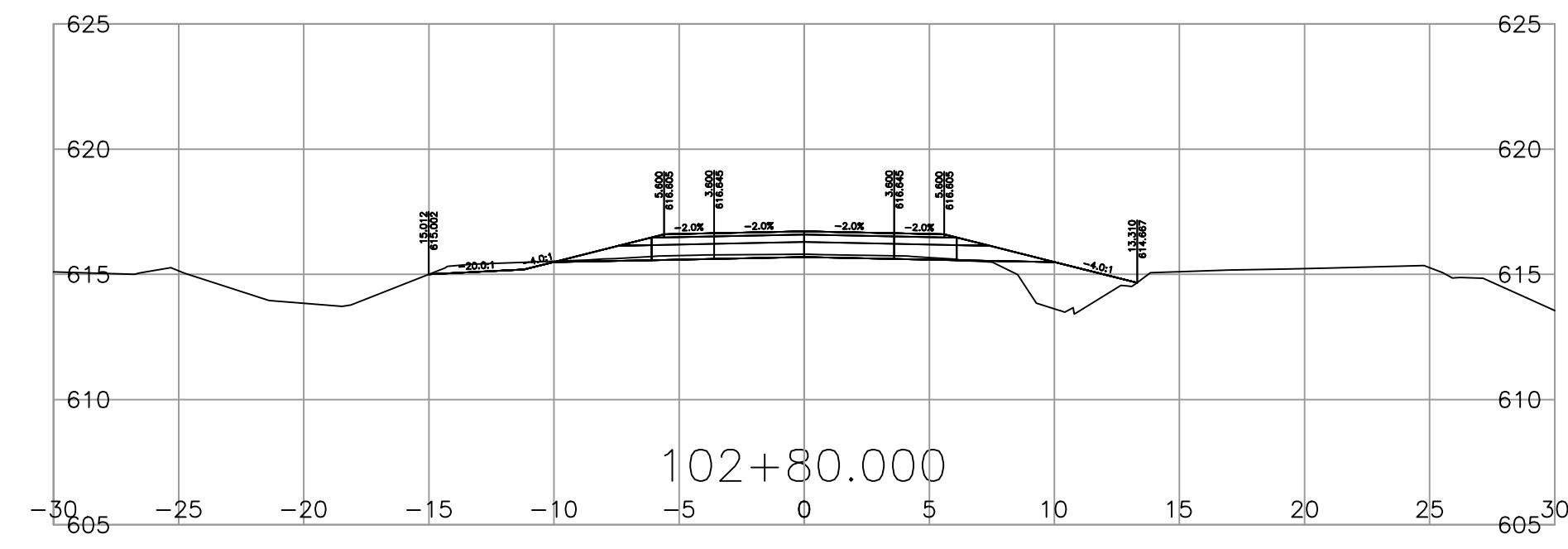
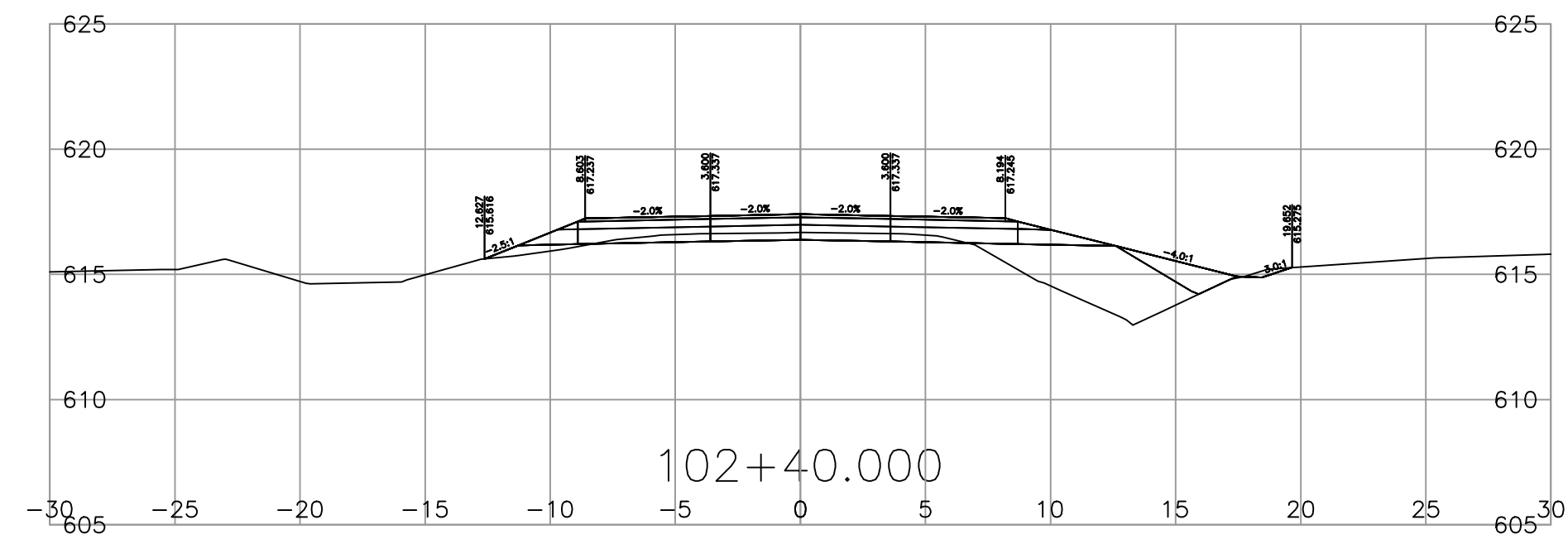
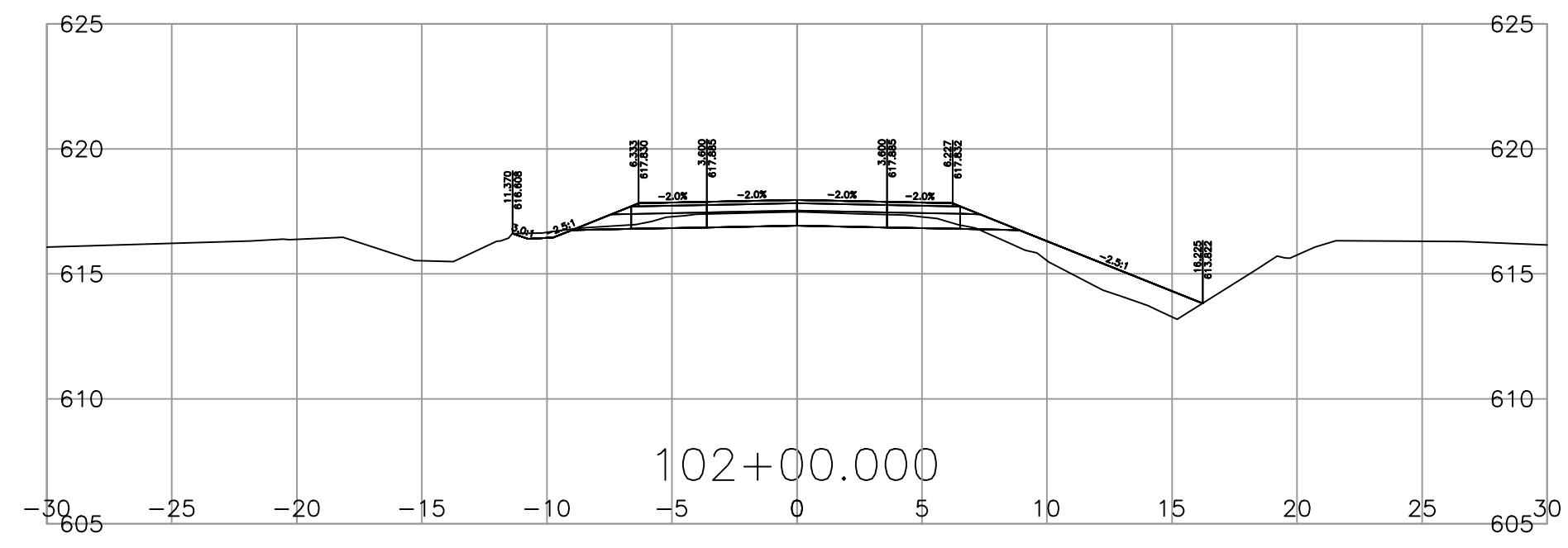


\171-06935-00 - Highway 97 - Commotion Creek\DWG\Trans-Utl\DrawingProduction\1000_DesignSections\R3-308-1000.dwg Plotted November 1, 2017



SCALE 0 2 1:250 12m

CAD FILENAME R3-308-1000
PLOT DATE 01/11/2017

REV	DATE	REVISIONS	NAME
A	2017-10-20	INTERIM REVIEW	
B	2017-10-25	70% DESIGN SUBMISSION	
C	2017-11-01	70% DESIGN SUBMISSION - TEAM REVIEW	

MINISTRY OF TRANSPORTATION AND INFRASTRUCTURE
NORTHERN REGION
HIGHWAY ENGINEERING AND GEOMATICS

DESIGNED _____ RL DATE 2017-07-05
 QUALITY CONTROL _____ DATE _____
 QUALITY ASSURANCE _____ DATE _____
 DRAWN _____ DEC DATE 2017-07-05

SENIOR DESIGNER _____
DATE 2017-07-05

DESIGN SECTIONS				
HWY 97 - COMMOTION CREEK BRIDGE				
FILE NUMBER	PROJECT NUMBER	REG	DRAWING NUMBER	REV
171-06935-00	35478-0000	R3	R3-308-1002	C