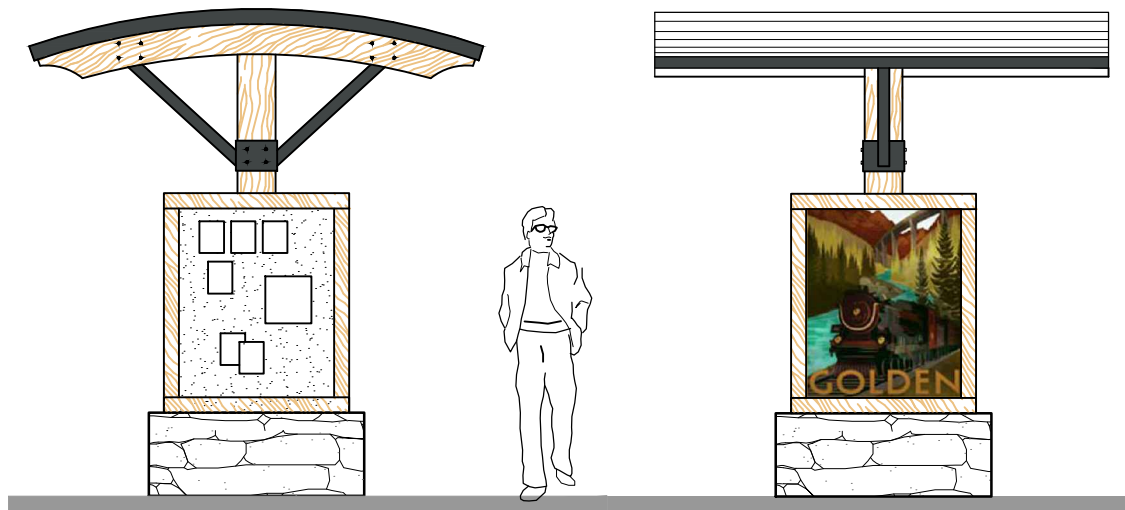


PLAN

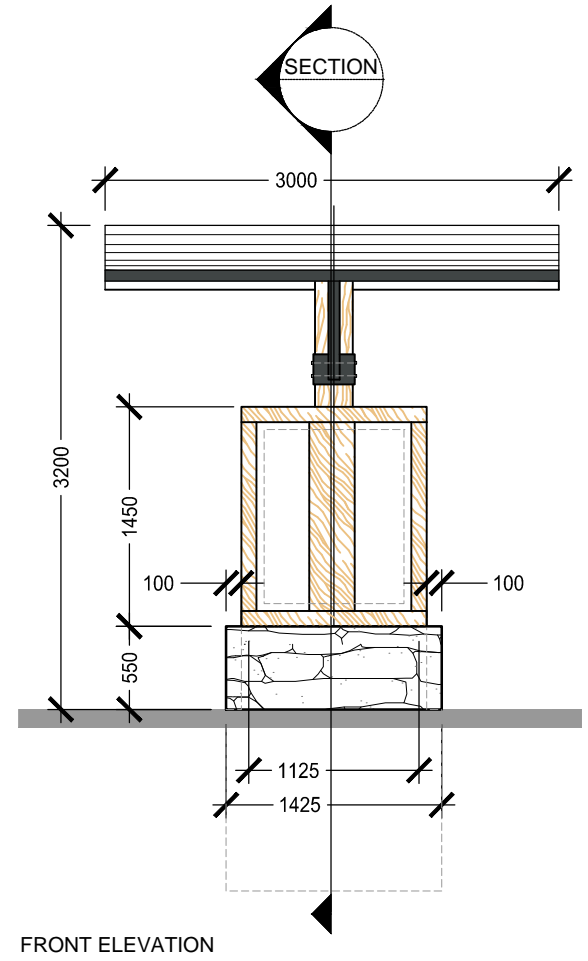
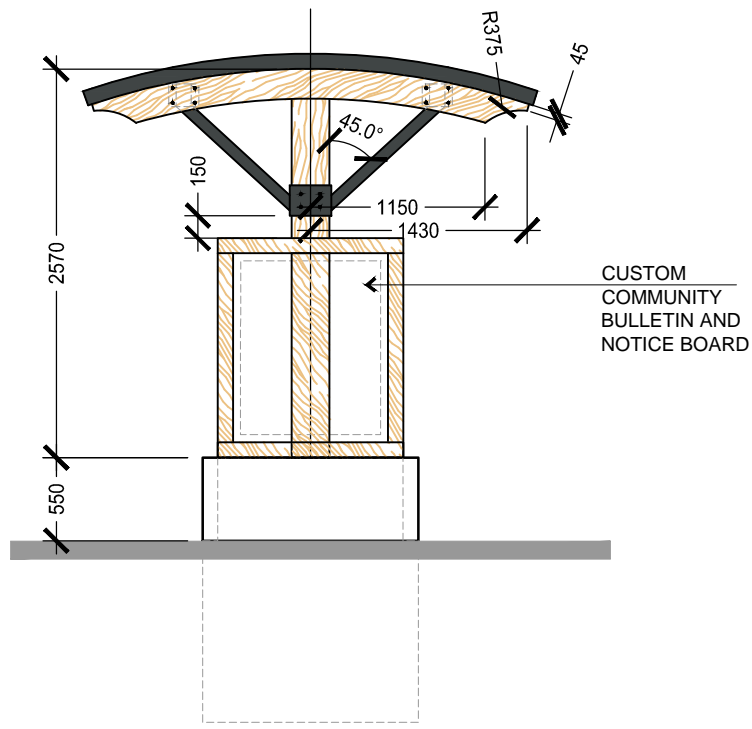
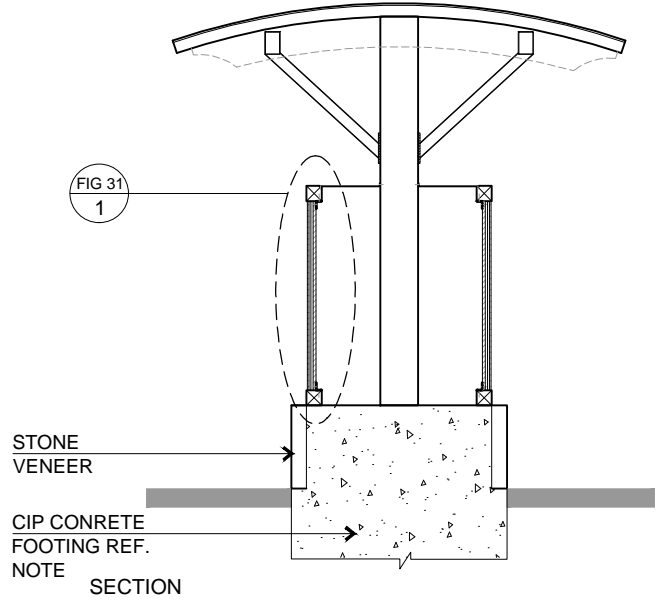
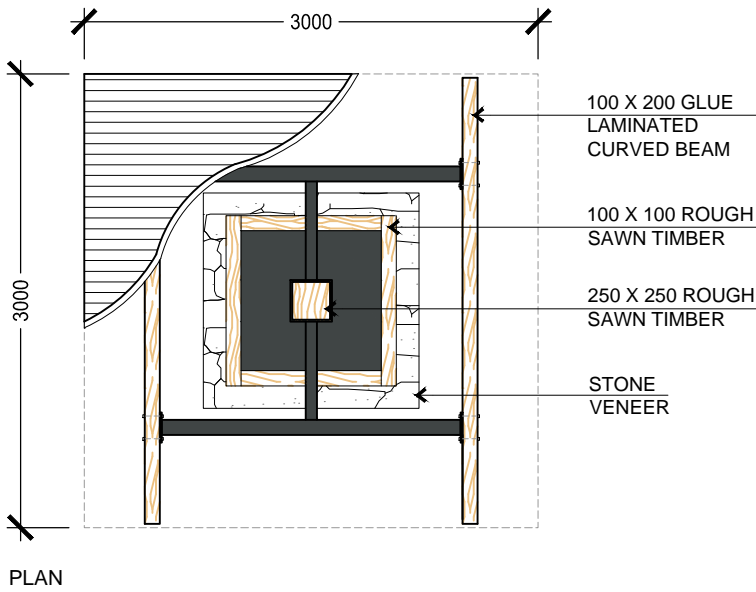


SIDE ELEVATION

FRONT ELEVATION

**DESIGN INTENT**

- INFORMATIVE SIGNAGE TO EDUCATE VISITORS ON LOCATION, HERITAGE, CULTURE NATURE, ETC.
- COULD INCLUDE MAPS, PHOTOS, TEXT.
- REINFORCE GRAPHIC IMAGE AND DESIGN ELEMENTS.
- LOCATED STRATEGICALLY AT RELATED SITES, VIEW POINTS, HIGH PROFILE LOCATIONS, GATHERING AREAS.



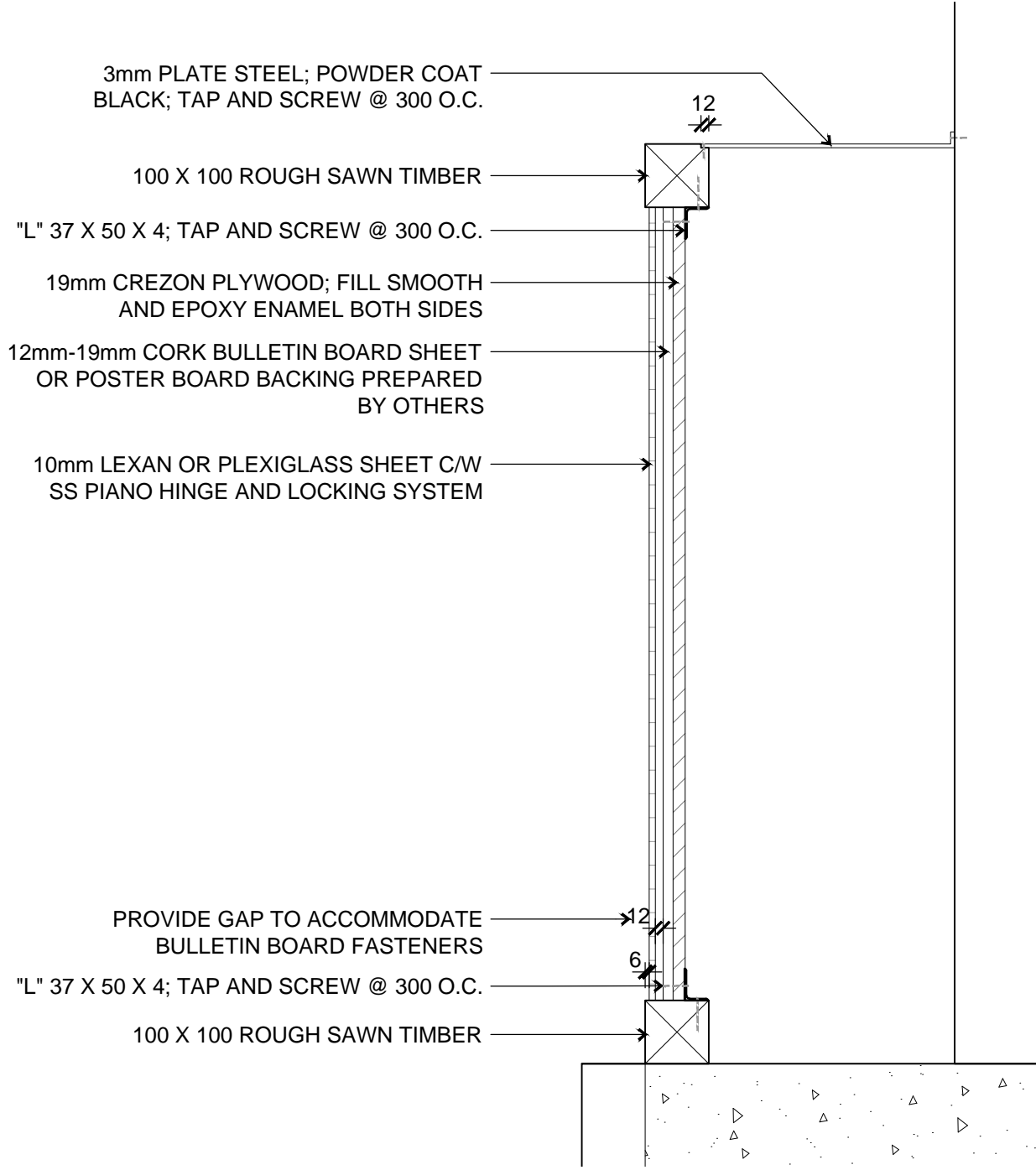
NOTE:

1. REFER TO FIGURE 25 FOR SCHEDULE OF MATERIALS AND FINISHES
2. REFER TO APPENDIX "B" FOR SIMILAR STRUCTURAL DESIGNS AND SIMILAR DETAILS FOR CONNECTIONS, FOOTINGS AND ROOF
3. STRUC. DETAILS ARE TO BE REVIEWED AND CERTIFIED BY A STRUC. ENG. BASED ON SITE CONDITIONS PRIOR TO CONSTRUCTION
4. SHOP DRAWINGS TO BE PROVIDED BY CONTRACTOR FOR REVIEW BY LANDSCAPE ARCHITECT PRIOR TO FABRICATION



<b>Client/Project</b>		
TOWN OF GOLDEN VISITOR SIGN PROGRAM		
<b>Scale</b>	<b>Date</b>	<b>Figure</b>
1:50	2010-04-29	22-B
<b>0404.0172.01</b>	<b>Title</b>	
<b>STANDARD DESIGN DETAILS VISITOR INFORMATION (VI)</b>		

U:\Projects\_CAL\04040172\02-Drafting-Design-Analysis\CADD\Drawings\LAN-0404017201-CONCEPTUAL-SIGN-DETAILS-ADDITIONAL.dwg, TOUR INFO, (2), 2013/04/11 07:56 am gkahan



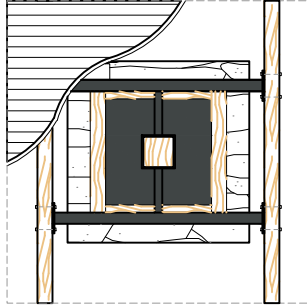
**1** TYP. SECTION KIOSK SIGN FRAME  
SCALE 1:10

NOTE:  
1. SHOP DRAWINGS TO BE PROVIDED BY CONTRACTOR FOR REVIEW BY LANDSCAPE ARCHITECT PRIOR TO FABRICATION

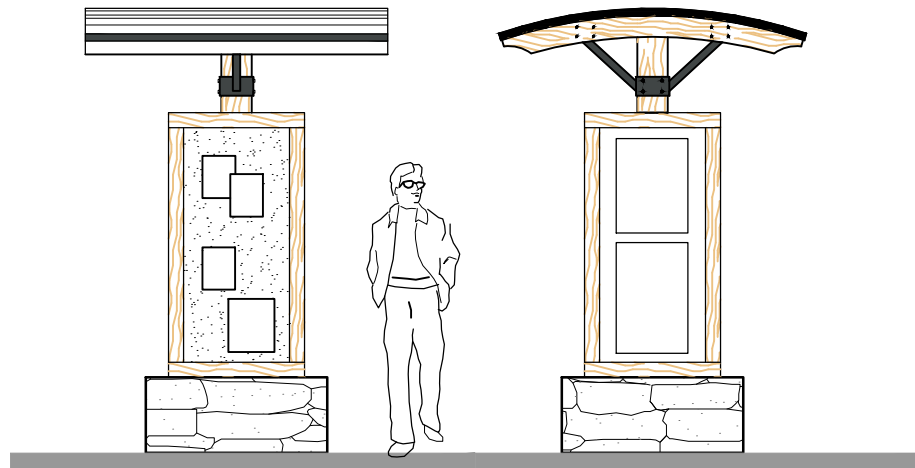


<b>Client/Project</b>		
TOWN OF GOLDEN VISITOR SIGN PROGRAM		
<b>Scale</b>	<b>Date</b>	<b>Figure</b>
AS NOTED	2010-04-29	31
<b>0404.0172.01</b>	<b>Title</b>	
<b>SIGN FRAME DETAILS</b>		

U:\Projects\_CAL\04040172\02-Drafting-Design-Analysis\CADD\dwgs\LAN-0404017201-CONCEPTUAL-SIGN-DETAILS-ADDITIONAL.dwg, DETAILS FIG31, 2013/04/11 07:56 am gkhan



PLAN

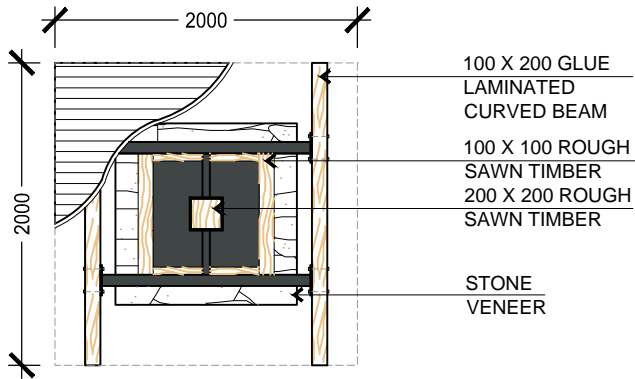


SIDE ELEVATION

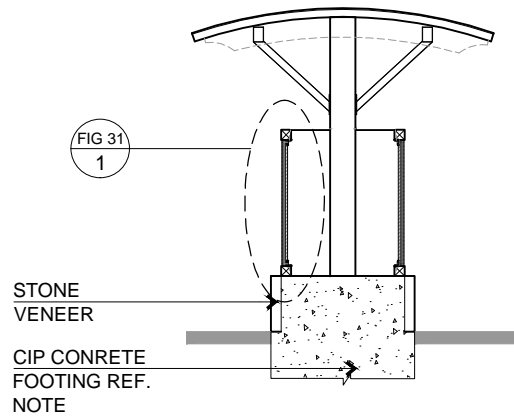
FRONT ELEVATION

**DESIGN INTENT**

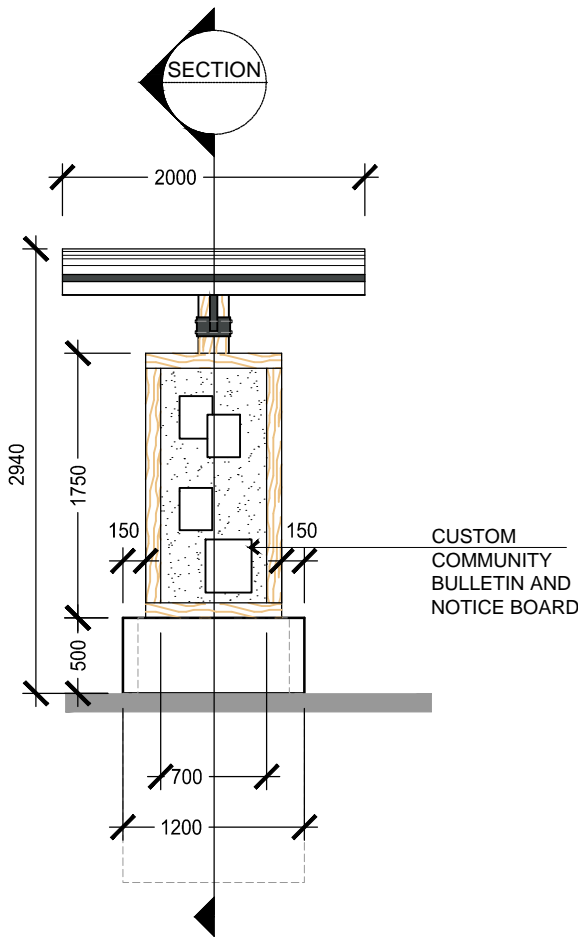
- INFORMATIVE SIGNAGE TO EDUCATE VISITORS ON LOCATION, HERITAGE, CULTURE NATURE, ETC.
- COULD INCLUDE MAPS, PHOTOS, TEXT.
- REINFORCE GRAPHIC IMAGE AND DESIGN ELEMENTS.
- LOCATED STRATEGICALLY AT RELATED SITES, VIEW POINTS, HIGH PROFILE LOCATIONS, GATHERING AREAS.



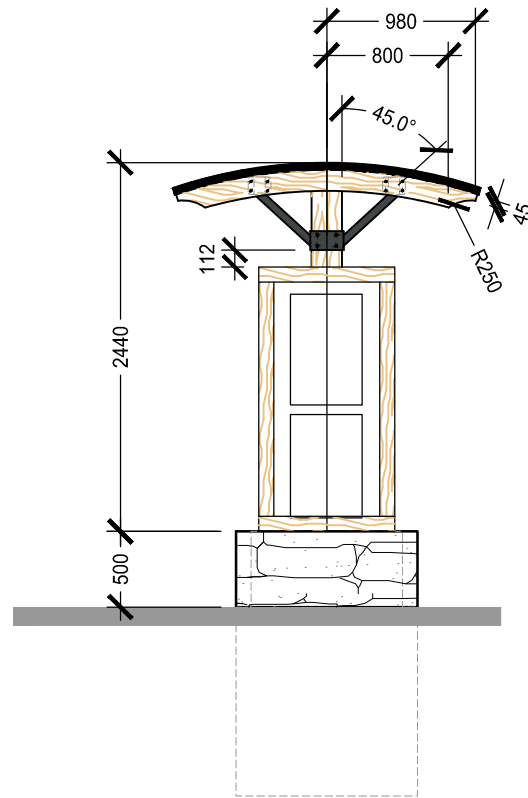
PLAN



SECTION - nts



SIDE ELEVATION



FRONT ELEVATION

NOTE:

1. REFER TO FIGURE 25 FOR SCHEDULE OF MATERIALS AND FINISHES
2. REFER TO APPENDIX "B" FOR SIMILAR STRUCTURAL DESIGNS AND SIMILAR DETAILS FOR CONNECTIONS, FOOTINGS AND ROOF
3. STRUC. DETAILS ARE TO BE REVIEWED AND CERTIFIED BY A STRUC. ENG. BASED ON SITE CONDITIONS PRIOR TO CONSTRUCTION
4. SHOP DRAWINGS TO BE PROVIDED BY CONTRACTOR FOR REVIEW BY LANDSCAPE ARCHITECT PRIOR TO FABRICATION

# GENERAL

1. THIS SET OF DRAWINGS SHOWS THE COMPLETED STRUCTURE, AND NOT WORK WHICH MAY BE REQUIRED FOR SAFETY DURING CONSTRUCTION. THE CONTRACTOR IS RESPONSIBLE FOR GENERAL SAFETY ON AND ABOUT THE JOB SITE DURING THE CONSTRUCTION PERIOD, AND FOR DESIGN AND ERECTION OF ALL FALSEWORK, SHORING, BRACING, ETC. TO ENSURE THE SAFETY OF ALL TEMPORARY CONSTRUCTION LOADS TO COMPLETE THE WORK. STRICTLY ADHERE TO ALL REQUIREMENTS OF THE WORKERS' COMPENSATION BOARD OF B.C.. ALL TEMPORARY WORKS, SHORING, ETC. SHALL BE DESIGNED BY A QUALIFIED PROFESSIONAL ENGINEER REGISTERED IN THE PROVINCE OF BRITISH COLUMBIA (B.C. P.ENG.).
2. THESE NOTES MAKE STATEMENTS THAT IMPLY THIS SET OF DRAWINGS MAY SPECIFY OR SHOW DETAILS THAT SUPERCEDE THEM, COMMONLY REFERRED TO AS "UNLESS NOTED OTHERWISE" WITHOUT NECESSARILY BEING EXPRESSLY STATED.

ALTERNATES FOR ANY ITEMS SHOWN MAY BE PRESENTED TO 'CWMM CONSULTING ENGINEERS LTD.' ('CWMM') FOR REVIEW AND APPROVAL PRIOR TO ACCEPTANCE. ANY COSTS INCURRED BY 'CWMM' FOR THESE ALTERNATES MAY BE CHARGED TO THE CONTRACTOR.

3. ALL CODE REFERENCES ARE TO THE LATEST EDITIONS AS REFERENCED IN THE 2012 BRITISH COLUMBIA BUILDING CODE.

## FIELD REVIEW:

1. 'CWMM' PROVIDES FIELD REVIEW FOR THE WORK SHOWN ON THE STRUCTURAL DRAWINGS PREPARED BY 'CWMM'. THIS REVIEW IS PERIODIC AT THE PROFESSIONAL JUDGEMENT OF 'CWMM'. THE PURPOSE IS TO ASCERTAIN THAT THE WORK IS IN GENERAL CONFORMANCE WITH THE PLANS AND SUPPORTING DOCUMENTS PREPARED BY 'CWMM', AND TO FULFILL THE REQUIREMENTS FOR THE COMPLETION OF THE LETTERS OF ASSURANCE REQUIRED BY THE BUILDING CODE AND APPLICABLE BYLAW.
2. ALL NON-CONFORMING WORKS THAT REQUIRE REMEDIAL ACTION SHALL BE THE RESPONSIBILITY OF THE CONTRACTOR. ANY EXTRA TIME OR COST INCURRED TO 'CWMM' TO ASSIST OR ADVISE THE CONTRACTOR IN RECTIFYING THE WORK SHALL BE BORNE BY THE CONTRACTOR.
3. ENSURE THAT WORK TO BE INSPECTED IS COMPLETE AT THE TIME OF INSPECTION AND IN ACCORDANCE WITH THE CONTRACT DOCUMENTS. THE GENERAL CONTRACTOR IS RESPONSIBLE FOR QUALITY CONTROL AND THEREFORE MUST PERFORM THOROUGH INSPECTIONS AND ENSURE ALL DEFICIENCIES ARE REPAIRED PRIOR TO CALLING 'CWMM' FOR A FIELD REVIEW. ADDITIONAL FIELD REVIEWS REQUIRED DUE TO INCOMPLETE WORK OR POORLY EXECUTED WORK, AS JUDGED BY 'CWMM', AS WELL AS ADDITIONAL DESIGN OR REMEDIAL WORK CAUSED BY DEVIATIONS FROM THESE DRAWINGS, MAY BE CHARGED TO THE GENERAL CONTRACTOR AT THE DISCRETION OF 'CWMM'.
4. A MINIMUM 48 HOURS NOTICE SHALL BE GIVEN BY THE CONTRACTOR FOR ANY FIELD REVIEW TO BE CARRIED OUT BY 'CWMM'.

## SHOP DRAWINGS:

1. DESIGNERS & MANUFACTURERS OF ALL STRUCTURAL ELEMENTS/COMPONENTS/CONNECTIONS SHALL SUBMIT COMPLETE SHOP DRAWINGS, SEALED BY A B.C. P.ENG., TO THE 'CWMM' FOR REVIEW AND APPROVAL PRIOR TO FABRICATION.
2. SEALING OF THE SHOP DRAWINGS SHALL ENSURE THAT ALL INPUT PARAMETERS AND OUTPUT RESULTS ARE CORRECT, REGARDLESS OF THE LIMITATIONS OF RESPONSIBILITY THAT ENGINEER IS ACCUSTOMED TO FROM THEIR OWN JURISDICTIONS OR PAST PROJECTS. SHOP DRAWINGS REQUIRE EACH PLAN LAYOUT TO BE SEALED TO ENSURE CORRECT LOADS AND CERTIFY COMPONENTS NOT COVERED BY THE INDIVIDUAL SHOP DRAWINGS.
3. SUBMIT SHOP DRAWINGS IN ACCORDANCE WITH SPECIFICATIONS AND ALLOW MINIMUM TWO WEEKS FOR REVIEW BY 'CWMM'. THIS SUBMISSION OR ITS REVIEW SHALL NOT RELIEVE THE CONTRACTOR OF HIS RESPONSIBILITY FOR PROVIDING PROPER ENGINEERING DESIGN, METHODS, EQUIPMENT, WORKMANSHIP, SAFETY PRECAUTIONS, AND PRIOR REVIEW OF THESE ELEMENTS.

4. THE PROFESSIONAL ENGINEER SEALING THE SHOP DRAWINGS SHALL BE RESPONSIBLE FOR INSPECTION OF HIS DESIGN COMPONENTS FOR CONFORMANCE TO HIS DESIGN AND SHOP DRAWINGS. UPON COMPLETION OF THIS INSPECTION, A LETTER OF APPROVAL SHALL BE SUBMITTED TO 'CWMM'.
5. THE CONTRACTOR AND ITS SUBCONTRACTORS SHALL CONFIRM AND COORDINATE DIMENSIONS, LOCATIONS, AND NUMBER OF THE STRUCTURAL ELEMENTS FOR WHICH SHOP DRAWINGS ARE TO BE PRODUCED.

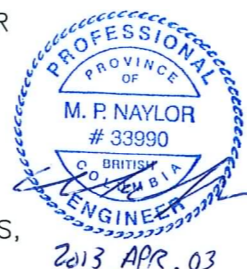
## DESIGN LOADS:


1. THIS STRUCTURE HAS BEEN DESIGNED FOR LOADS IN ACCORDANCE WITH THE PROVISIONS SET FORTH IN THE 2012 BRITISH COLUMBIA BUILDING CODE.

GROUND SNOW:	Ss = 3.7 kPa
RAIN LOAD:	Sr = 0.2 kPa
	Cb = 0.55
IMPORTANCE FACTORS FOR SNOW:	Is = 1.0 FOR STRENGTH (ULS)
	Is = 0.9 FOR SERVICEABILITY (SLS)
SNOW BUILDUP:	TO DESIGN CODE
WIND LOAD:	PROBABILITY 1/10 = 0.27 kPa
	PROBABILITY 1/50 = 0.35 kPa
IMPORTANCE FACTORS FOR WIND:	Iw = 1.0 FOR STRENGTH (ULS)
	Iw = 0.75 FOR SERVICEABILITY (SLS)
WIND UPLIFT:	TO DESIGN CODE

## FOUNDATION AND SITE WORK

1. THE BASE OF ALL FOOTINGS SUSCEPTIBLE TO FROST IS TO BE LOCATED AT A MINIMUM OF 1400mm BELOW EXTERIOR GRADE.
2. ANY FOOTING ELEVATIONS INDICATED ON THE DRAWINGS ARE GENERAL AND SHALL BE USED FOR ESTIMATING AND BIDDING PURPOSES. FOOTINGS MAY HAVE TO BE PLACED AT DIFFERENT ELEVATIONS AS A RESULT OF LOCAL SOILS CONDITIONS, UNDERGROUND SERVICES, AND TO ACCOMMODATE OTHER MECHANICAL/ELECTRICAL SERVICES. FOLLOW TYPICAL DETAILS SHOWN ON THESE DRAWINGS FOR FOOTING PLACEMENT RELATIVE TO ADJACENT FOOTINGS AND OTHER EXCAVATED STRUCTURES. LOCATE AS DIRECTED BY THE GEOTECHNICAL ENGINEER.
3. FOUNDATION BASES SHALL BE PROTECTED FROM RAIN, SNOW, AND ANY WATER INFILTRATION.
4. NO FOUNDATIONS MAY BE POURED BEFORE THE BEARING MATERIAL HAS BEEN INSPECTED BY THE GEOTECHNICAL ENGINEER. NOTIFY THE GEOTECHNICAL ENGINEER A MINIMUM OF 24 HOURS BEFORE INSTALLATION OF FOOTING REINFORCEMENT.
5. THE CONTRACTOR SHALL BE RESPONSIBLE FOR THE TEMPORARY SUPPORT OF ANY ADJACENT STRUCTURE DURING CONSTRUCTION.



 <b>CWMM</b> CONSULTING ENGINEERS LTD. 200-1054 Kirschner Road Kelowna, B. C. Canada, V1Y 4N6 Tel: (250) 868-2308 Fax: (250) 868-2374 e-mail: kelowna@cwmm.ca	TITLE: GENERAL NOTES	SCALE: AS NOTED	REV.:
	REFERENCE DRAWING:	DATE: 2013-04-03	DWG. NO.:
PROJECT: GOLDEN VISITOR SIGNS URBAN SYSTEMS	DRAWN: ML	S101	
	PROJ. NO.: K4206		

# CONCRETE NOTES:

- UNLESS NOTED OTHERWISE, CONCRETE SHALL BE PROPORTIONED AS FOLLOWS:

MINIMUM 28 DAY STRENGTH (MPa)	SLUMP AT POINT OF DISCHARGE (mm)	AIR CONT. (%)	MAX. AGG. (mm)	EXPOSURE CLASS
25	80±30	4 - 7	20	F2

- CONCRETE SUPPLIER SHALL COMPLY WITH REQUIREMENTS IN ALTERNATIVE 1 IN TABLE 11 IN CAN/CSA-A23.1
- WHEN SUPERPLASTICIZERS ARE USED, THE SLUMP MAY BE INCREASED BEYOND THE VALUES GIVEN, BUT SHALL BE BELOW THE POINT WHERE SEGREGATION WILL OCCUR.
- CODE CONFORMANCE (U.N.O.):
  - CEMENT SHALL BE TYPE GU TO CAN/CSA-A5.
  - ALL CONCRETE PROPORTIONING AND CONCRETE WORK SHALL CONFORM TO CAN/CSA-A23.1.
  - TESTING OF CONCRETE AND MATERIALS SHALL BE TO CAN/CSA-A23.2
  - REINFORCING BARS SHALL CONFORM TO CAN/CSA-G30.18-M92 GRADE 400R.
  - CHEMICAL ADMIXTURES SHALL CONFORM TO CAN3-A266.2. CHLORIDE-BASED ADMIXTURES WILL NOT BE PERMITTED.
- CONCRETE AND MATERIALS TESTING AGENCY MUST BE CSA CERTIFIED. SUBMIT CONCRETE TEST RESULTS TO THE MINISTRY REPRESENTATIVE.
- REINFORCING SPLICES SHALL HAVE THE FOLLOWING MIN. LAP LENGTHS, U.N.O.:
 

10M:	450	25M:	1200
------	-----	------	------
- WHEN HOT OR COLD WEATHER IS FORECAST, ADHERE STRICTLY TO CAN/CSA A23.1 FOR PROPER PREPARATIONS AND CURING PROCEDURES.

# STRUCTURAL STEEL

- CODE CONFORMANCE:
 

GENERAL STEELWORK AND DESIGN	CAN/CSA-S16
GENERAL REQUIREMENTS	CSA-G40.20
STEEL QUALITY	CSA-G40.21
SHOP PRIMER	CISC/CPMA 1-73A
STEEL DECKING	CSA-S136
WELDING	CSA-W59
- GRADES OF MATERIALS:
 

C SHAPES AND ANGLES	300W
HOLLOW STRUCTURAL STEEL (HSS)	350W, CLASS C (ASTM A500)
OTHER STRUCTURAL STEEL AND MISC. METAL	300W
BOLTS, NUTS AND WASHERS	ASTM A325
- DRAWINGS FROM ALL CONSULTANTS SHALL BE EXAMINED FOR EXACT LOCATIONS, DIMENSIONS, AND ELEVATIONS, WITH SITE MEASUREMENT CONFIRMATION PRIOR TO FABRICATION.
- PROVIDE Z275 COATING FOR EXTERIOR ROOF AND FLOOR DECKS, AND UNHEATED AREAS.



# SHOP DRAWINGS:

- SUBMIT SHOP DRAWINGS IN ACCORDANCE WITH THE GENERAL NOTES ON THESE DRAWINGS AND WITH ANY SPECIFICATIONS. SHOP DRAWINGS SHALL INCLUDE ANCHOR BOLT AND EMBEDDED PLATE LAYOUT.
- NO FABRICATION OR WORK SHALL BE COMMENCED UNTIL THE REVIEW AND APPROVAL OF THE SHOP DRAWINGS. THE CONTRACTOR SHALL ASSUME FULL RESPONSIBILITY FOR ANY FABRICATION AND WORK DONE PRIOR TO REVIEW AND APPROVAL OF THE SHOP DRAWINGS.
- THE STEEL FABRICATOR AND THE CONTRACTOR SHALL CO-ORDINATE AND VERIFY ALL DIMENSIONS AND LOCATIONS PRIOR TO PRODUCTION OF THE DRAWINGS.

# FABRICATION:

- WELDING SHALL BE PERFORMED BY CERTIFIED WELDERS. FABRICATION SHOPS SHALL BE APPROVED BY THE CANADIAN WELDING BUREAU TO CSA-W47.1. CERTIFICATIONS SHALL BE SUPPLIED TO 'CWMM' UPON REQUEST.
- IMPERIAL SIZE BOLTS AND PLATE PRODUCTS ARE ACCEPTABLE ON AN EQUAL SIZE/STRENGTH BASIS.
- ALL STRUCTURAL STEEL SHALL BE SHOP PRIMED ACCORDING TO THE REQUIRED SPECIFICATION.

# ERECTION:

- GROUT FOR COLUMN BASE PLATES SHALL BE 'STERNSON'S M-BED STANDARD', 'MASTERBUILDER'S MASTERFLOW 713', OR APPROVED EQUAL, AND SHALL HAVE MINIMUM COMPRESSIVE STRENGTH OF 50 MPa AT 28 DAYS.
- INSTALL AND TORQUE ALL BOLTS AND DRILLED ANCHORS IN ACCORDANCE WITH THE MANUFACTURER'S SPECIFICATIONS AND PROCEDURES.
- ANY MISFIT OR MISALIGNMENT MUST BE REPORTED TO 'CWMM'. THE CONTRACTOR SHALL PROVIDE PROPOSED REMEDIAL MEASURES TO 'CWMM' FOR REVIEW AND APPROVAL. ANY REMEDIAL WORK ON CONNECTIONS MUST BE REVIEWED AND/OR REDESIGNED BY THE CONNECTION ENGINEER. ALL COSTS OF REMEDIAL WORK ARE AT THE EXPENSE OF THE CONTRACTOR.
- BOLTS, WELDS, AND BURNED OR SCRATCHED SURFACES SHALL BE TOUCHED UP WITH SHOP PRIMER AT COMPLETION OF ERECTION.
- DO NOT NOTCH OR CUT OPENINGS IN ANY OF THE FRAMING MEMBERS AND CONNECTIONS WITHOUT PRIOR APPROVAL FROM 'CWMM'.
- PROVIDE TEMPORARY BRACING TO STRUCTURE FOR STABILITY AND SAFETY UNTIL ALL LATERAL RESISTING ELEMENTS AND DIAPHRAGMS ARE INSTALLED.

<b>CWMM CONSULTING ENGINEERS LTD.</b> 200-1854 Kirschner Road Kelowna, B. C. Canada, V1Y 4N6 Tel: (250) 868-2308 Fax: (250) 868-2374 e-mail: kelowna@cwmm.ca	TITLE: GENERAL NOTES	SCALE: AS NOTED	REV.:
	REFERENCE DRAWING:	DATE: 2013-04-03	DWG. NO.:
	PROJECT: GOLDEN VISITOR SIGNS URBAN SYSTEMS	DRAWN: ML	S101
		PROJ. NO.: K4206	

# WOOD PRODUCTS

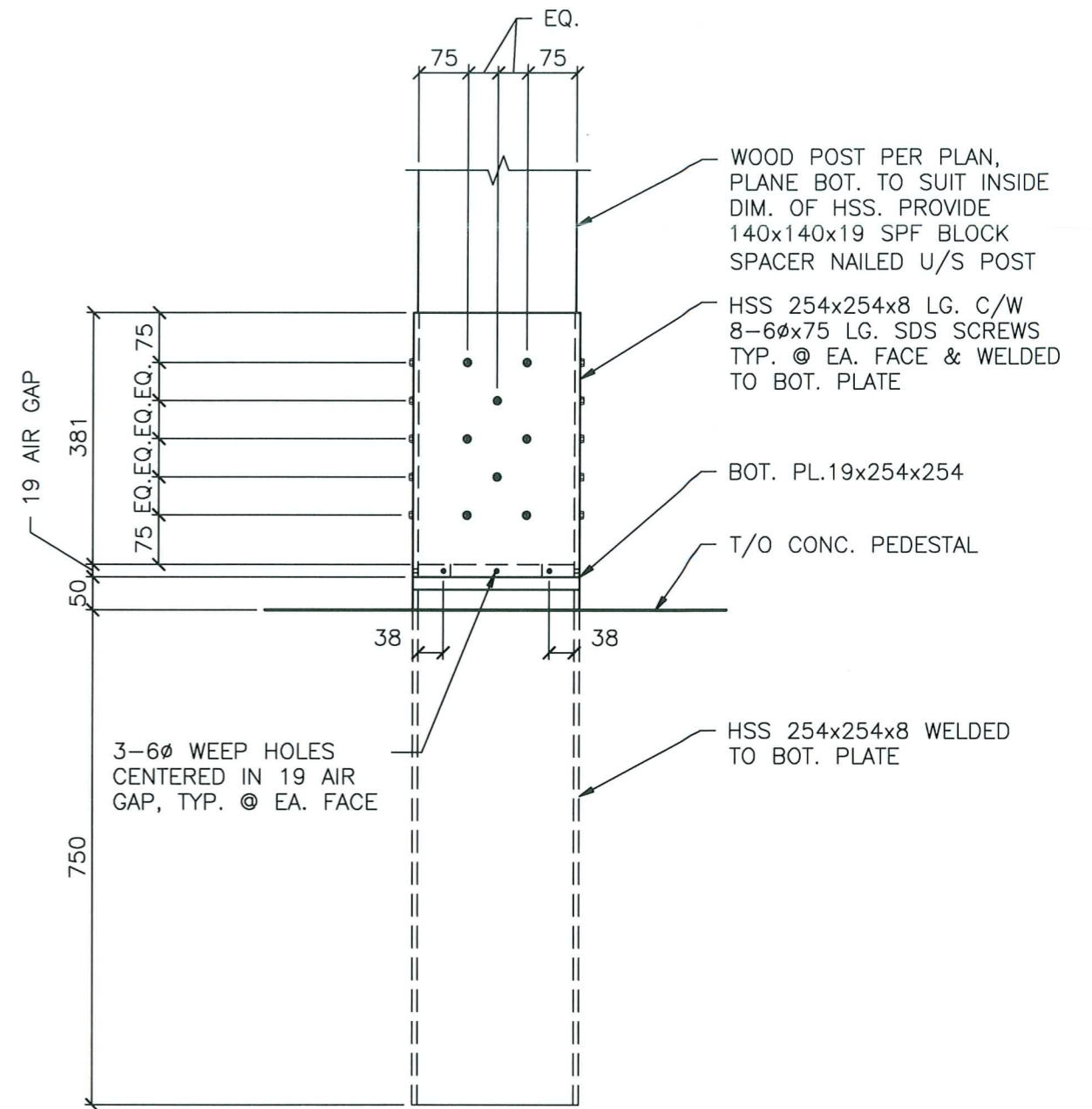
1. ALL TIMBER FRAMING SHALL BE IN ACCORDANCE WITH PART 9 OF THE 2012 BRITISH COLUMBIA BUILDING CODE.
2. ALL LUMBER MATERIAL TO CONFORM TO N.L.G.A. GRADING RULES, AND CSA-086.1. OSB SHALL CONFORM TO CSA/CAN3-0437.0 OR 0325. PLYWOOD SHALL CONFORM TO CSA 0121.
3. CONNECTIONS:
  - ALL BOLTS AND ANCHOR BOLTS SHALL CONFORM TO ASTM A307
  - ALL BOLTS AND NUTS MUST BE FITTED WITH CUT STEEL WASHERS
  - ALL STEEL PLATE USED IN CONNECTION DETAILS SHALL BE GRADE 300W
  - ALL NAILING SHALL BE WITH COMMON WIRE NAILS TO CSA B111. IF PNEUMATIC NAILS ARE INTENDED AS SUBSTITUTION, SUBMIT INFORMATION TO 'CWMM' FOR REVIEW AND APPROVAL PRIOR TO USE.
  - BOLT HOLES SHALL NOT BE MORE THAN 2mm LARGER THAN THE BOLT DIAMETER
  - BOLTS IN WOOD SHALL NOT BE LESS THAN 7 DIAMETERS FROM THE END, AND 4 DIAMETERS FROM THE EDGE
  - LAG SCREWS SHALL BE PRE-DRILLED WITH A BIT SIZE OF 65% OF THE SHANK DIAMETER FOR THE THREADED PORTION. LEAD HOLES SHALL BE THE SAME LENGTH AS THE UNTHREADED PORTION, AND THE SAME DIAMETER AS THE SHANK. SCREW ALL LAGS INTO PLACE. CUT WASHERS SHALL BE PROVIDED UNDER HEADS WHICH BEAR ON WOOD.
  - NO CHECKS OR SPLITS ALLOWED AT AREAS TO BE BOLTED OR LAGGED
  - ALL EXPOSED BOLTS AND WASHERS SHALL BE GALVANIZED, OR PER THE ARCHITECT
  - ALL FRAMING CONNECTION HARDWARE INCLUDING HOLD-DOWN CONNECTORS, JOIST/BEAM HANGERS, STRAPS, ANGLES, ETC. SHALL BE 'SIMPSON', OR APPROVED EQUAL
  - NAILS SHALL BE PLACED NOT LESS THAN 10 FROM THE PANEL EDGE AND SHALL NOT BE OVER-DRIVEN MORE THAN 15% OF THE PANEL THICKNESS

## GLUED-LAMINATED TIMBER

1. GLUED-LAMINATED TIMBER (GLULAM) SHALL BE MANUFACTURED TO CSA-0122. THE MANUFACTURER SHALL BE QUALIFIED ACCORDING TO CSA-0177.
2. STRESS GRADES:
 

BEAMS:	SIMPLE SPAN	24f-E
	CONT. SPANS AND CANTILEVERS	24f-EX
COLUMNS:		16c-E

SERVICE GRADE: EXTERIOR  
 APPEARANCE GRADE: QUALITY - WHERE EXPOSED TO VIEW  
 INDUSTRIAL - WHERE CONCEALED
3. SEALED DRAWINGS MUST BE SUBMITTED AS PER THE SHOP DRAWING SUBMISSION PROCEDURE. CLEARLY INDICATE MATERIAL, SIZES, CAMBER, AND CONNECTIONS.




**TYPICAL POST BASE DETAIL**

DETAIL

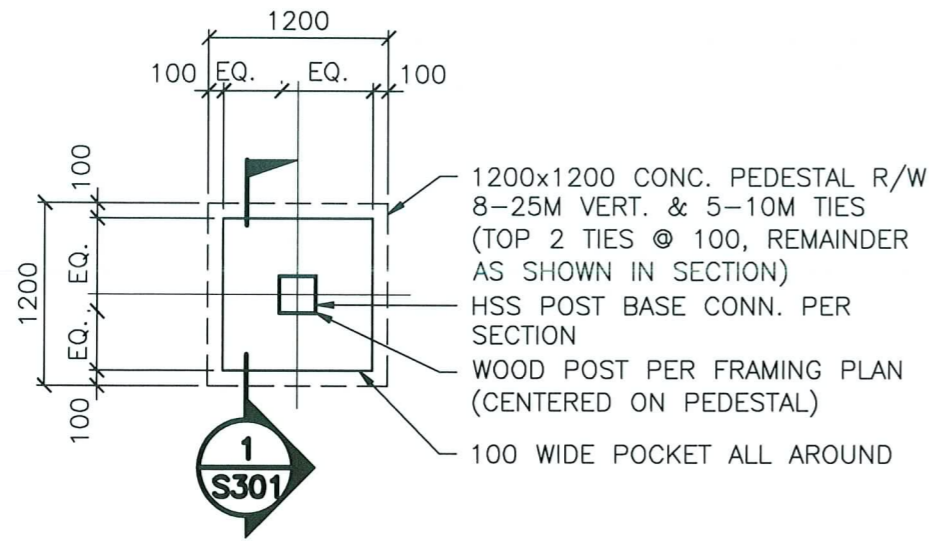


1:10



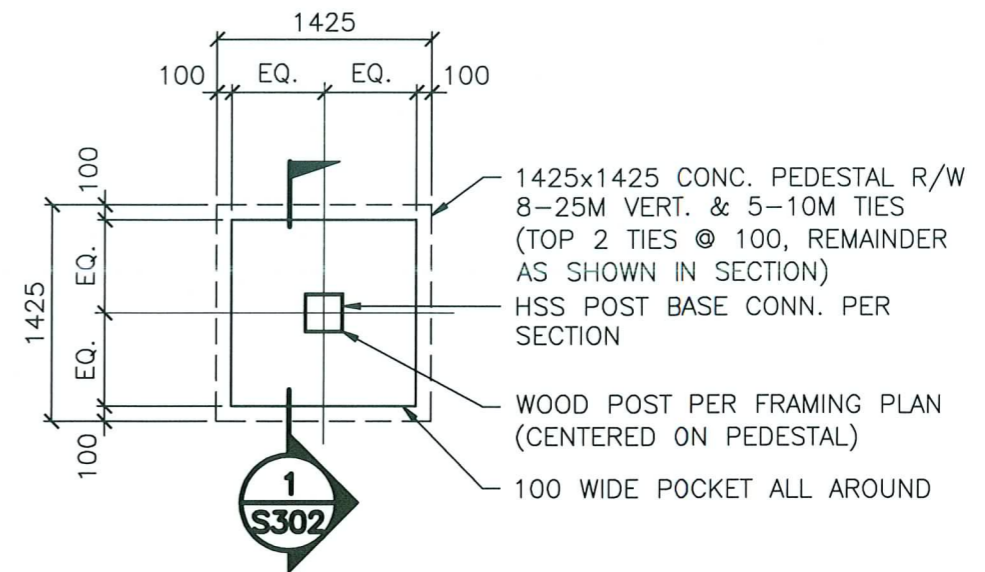
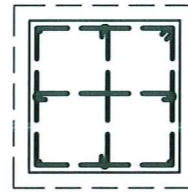
 <b>CWMM</b> CONSULTING ENGINEERS LTD. 200-1854 Kirschner Road Kelowna, B. C. Canada, V1Y 4N6 Tel (250) 868-2308 Fax (250) 868-2374 e-mail: kelowna@cwmm.ca	TITLE: GENERAL NOTES & TYPICAL POST BASE DETAIL	SCALE: AS NOTED	REV.:
	REFERENCE DRAWING:	DATE: 2013-04-03	DWG. NO.:
PROJECT: GOLDEN VISITOR SIGNS URBAN SYSTEMS	DRAWN: ML	S102	
	PROJ. NO.: K4206		





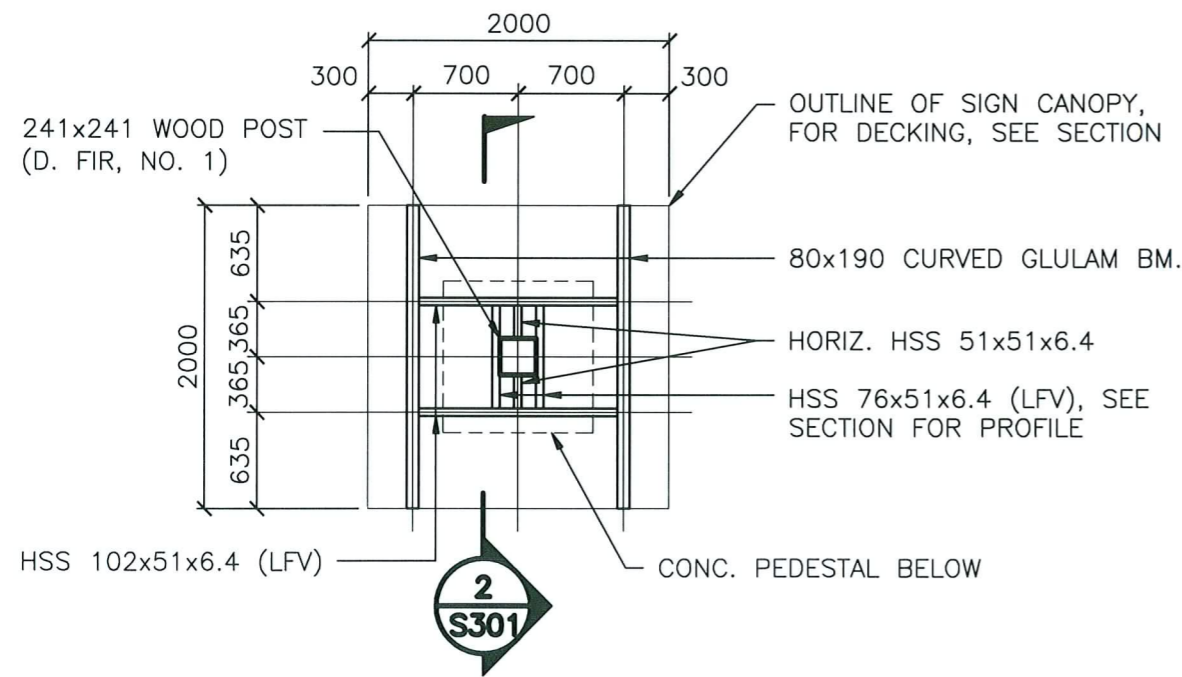
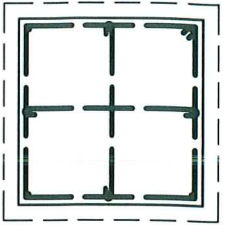
**FOUNDATION PLAN (2m x 2m)**

1:50



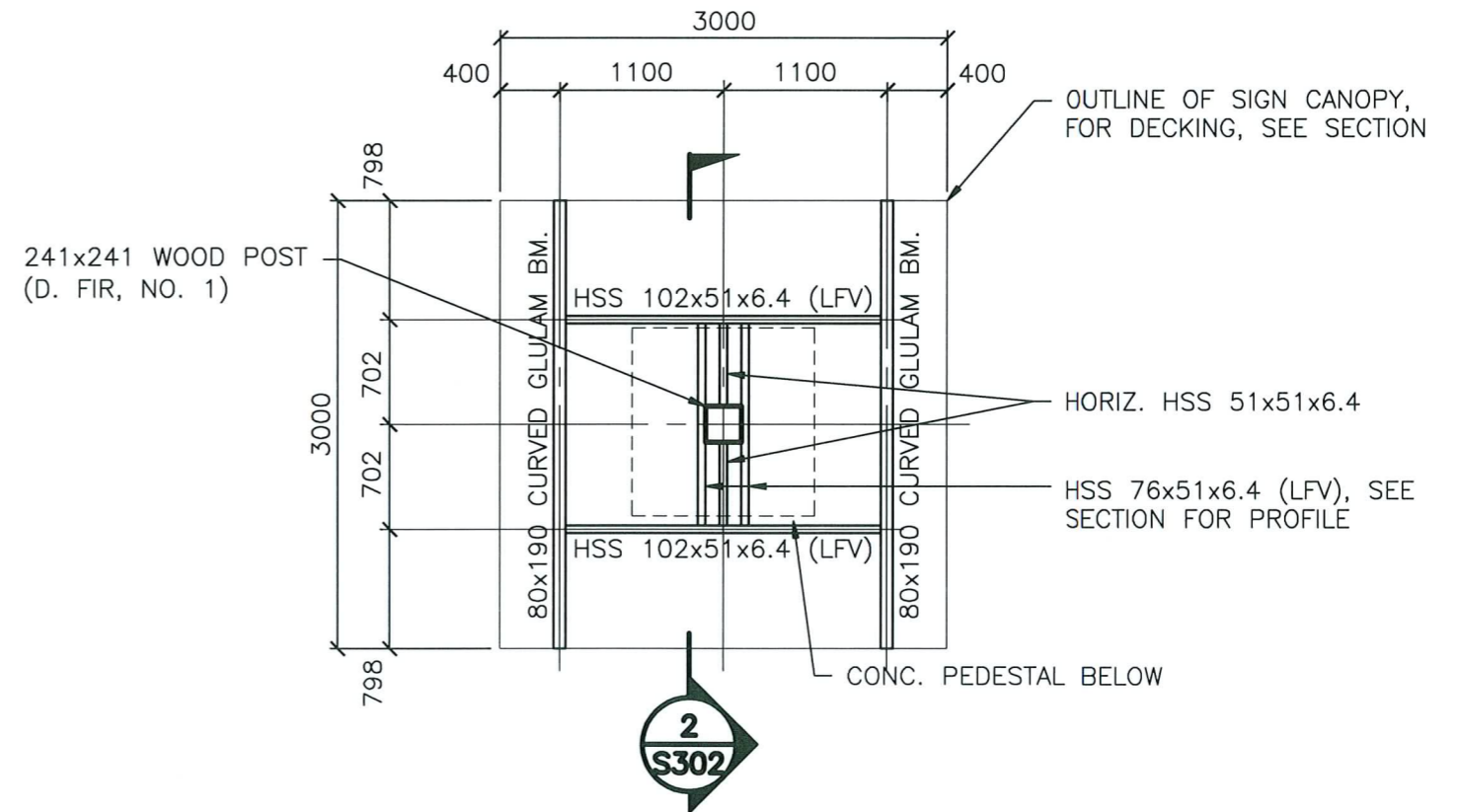
**FOUNDATION PLAN (3m x 3m)**

1:50



**FRAMING PLAN (2m x 2m)**

1:50

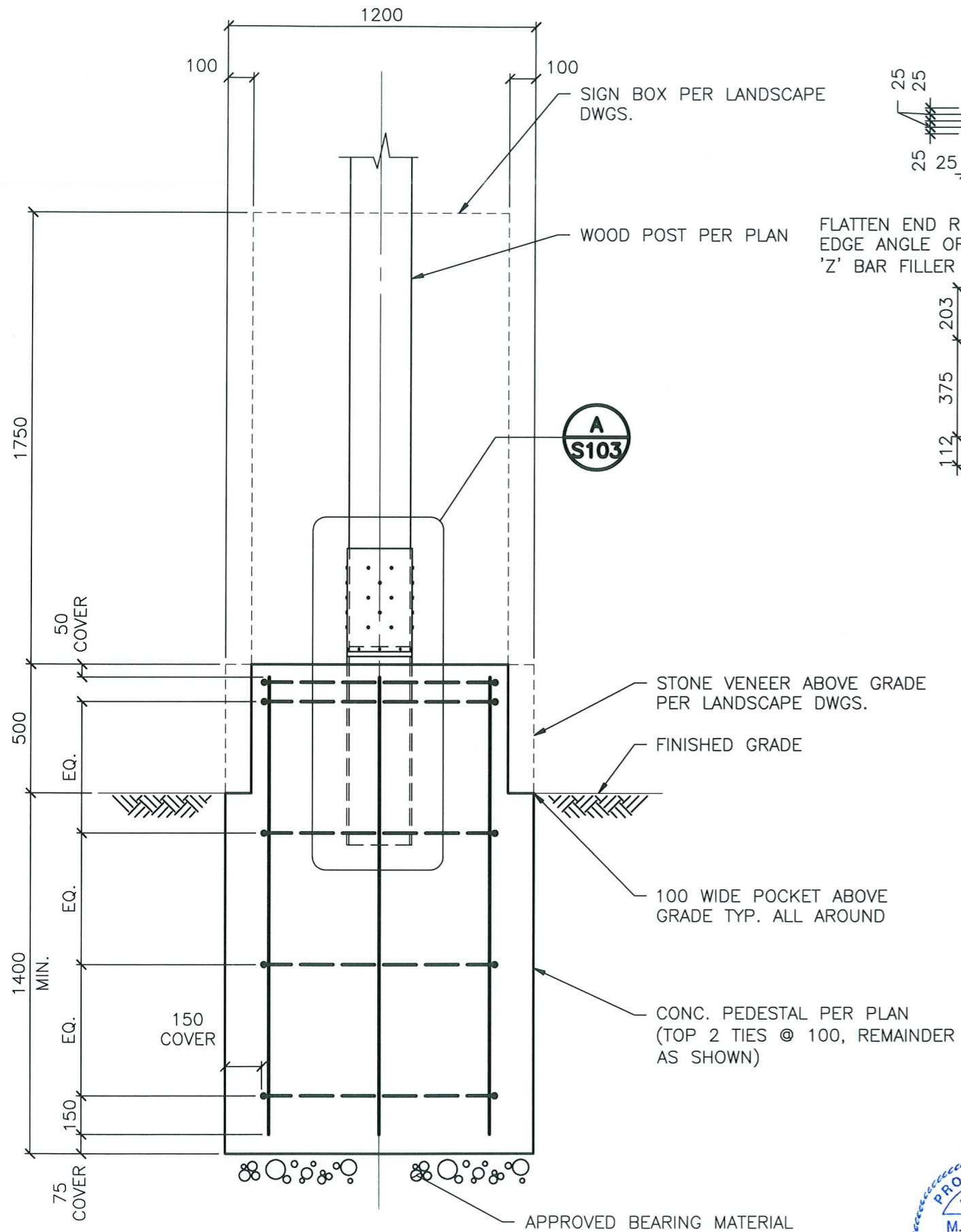


**FRAMING PLAN (3m x 3m)**

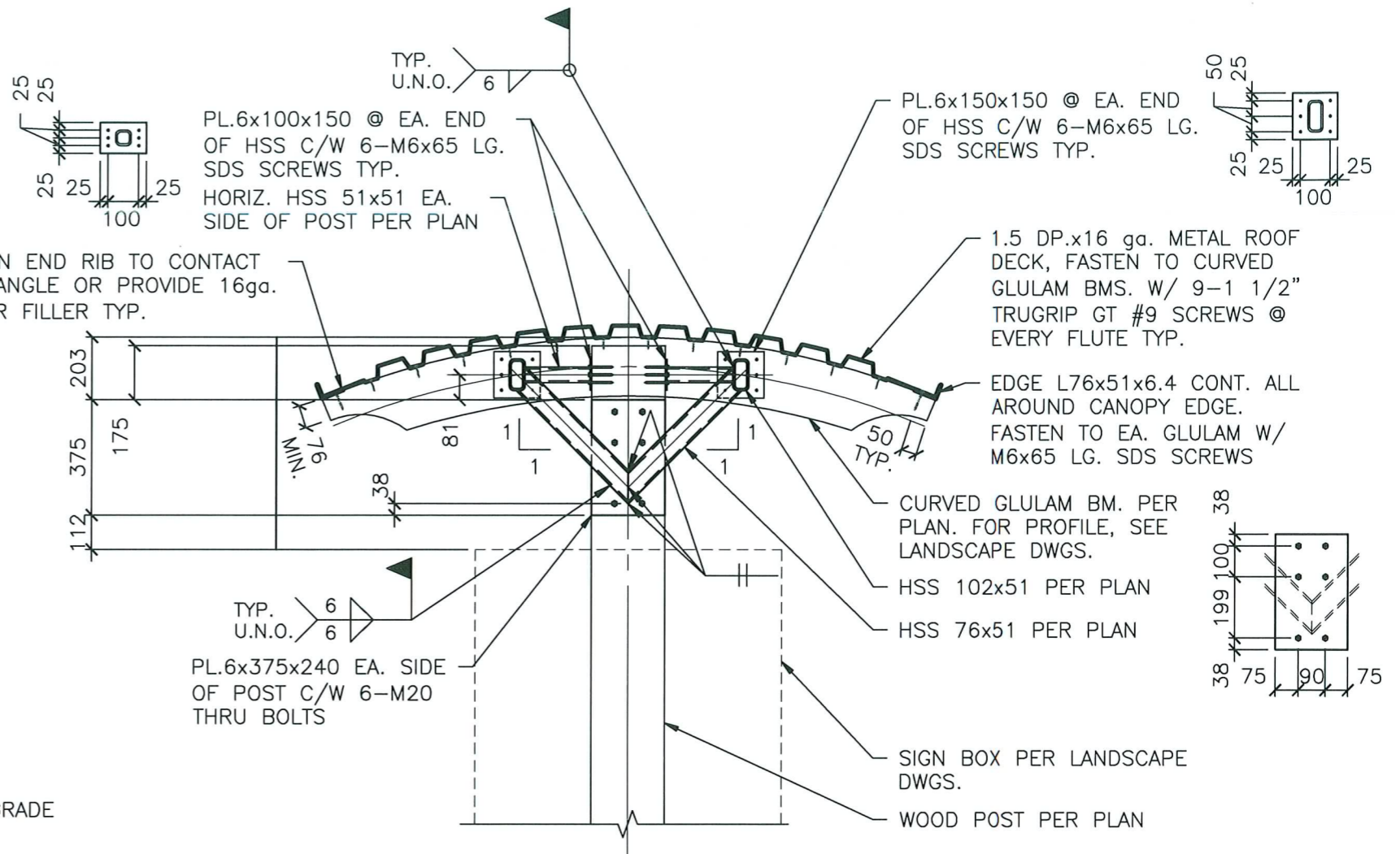
1:50



 <b>CWMM</b> <b>CONSULTING</b> <b>ENGINEERS LTD.</b> 200-1854 Kitchener Road Kelowna, B. C. Canada, V1Y 4N6 Tel: (250) 868-2308 Fax: (250) 868-2374 e-mail: kelowna@cwmm.ca	TITLE:	FOUNDATION & FRAMING PLANS	SCALE:	AS NOTED	REV.:
	REFERENCE DRAWING:		DATE:	2013-04-03	DWG. NO.:
	PROJECT:	GOLDEN VISITOR SIGNS URBAN SYSTEMS	DRAWN:	ML	S201
			PROJ. NO.:	K4206	



**SECTION 1**  
1:20 **S201**

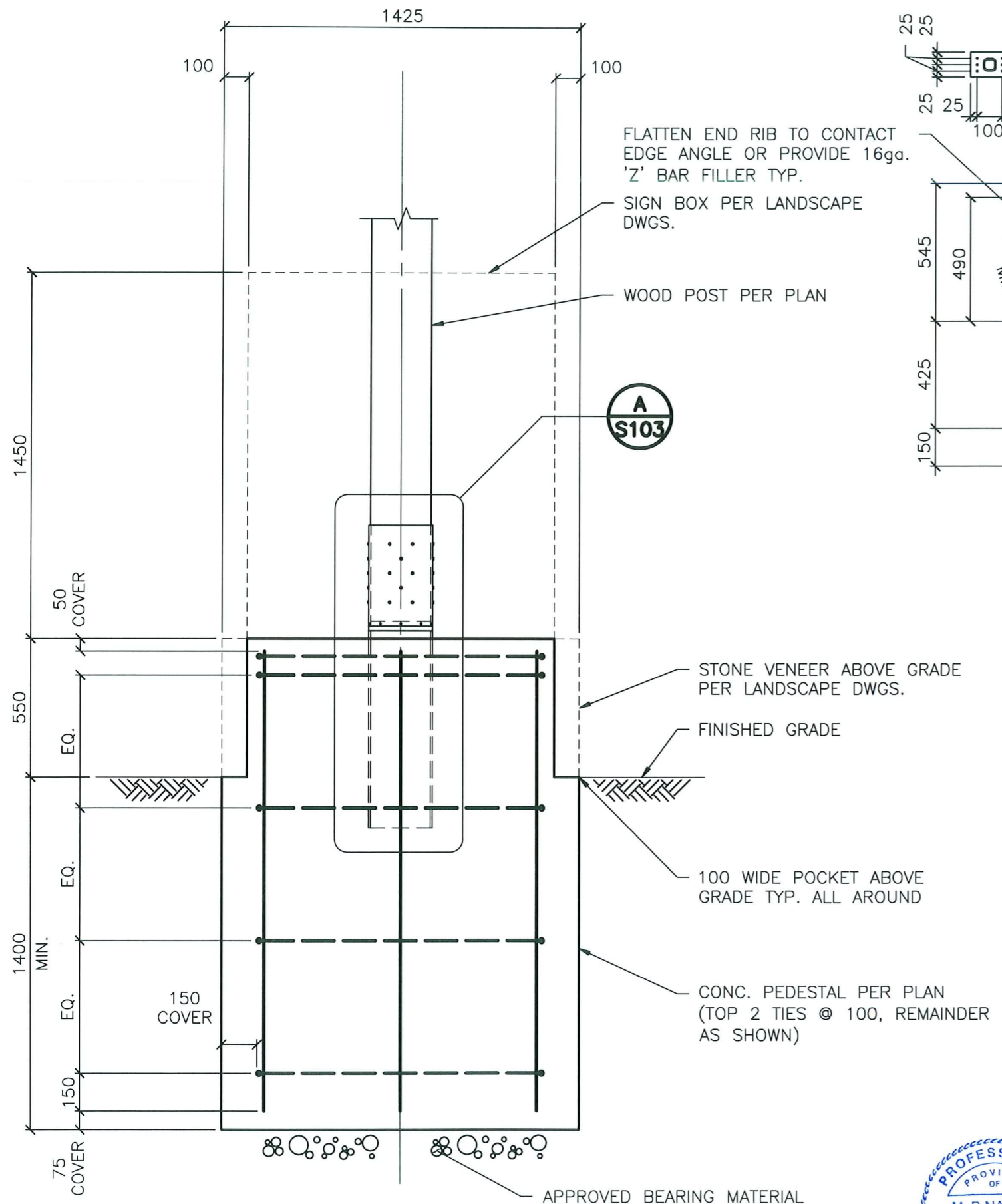


**SECTION 2**  
1:20 **S201**

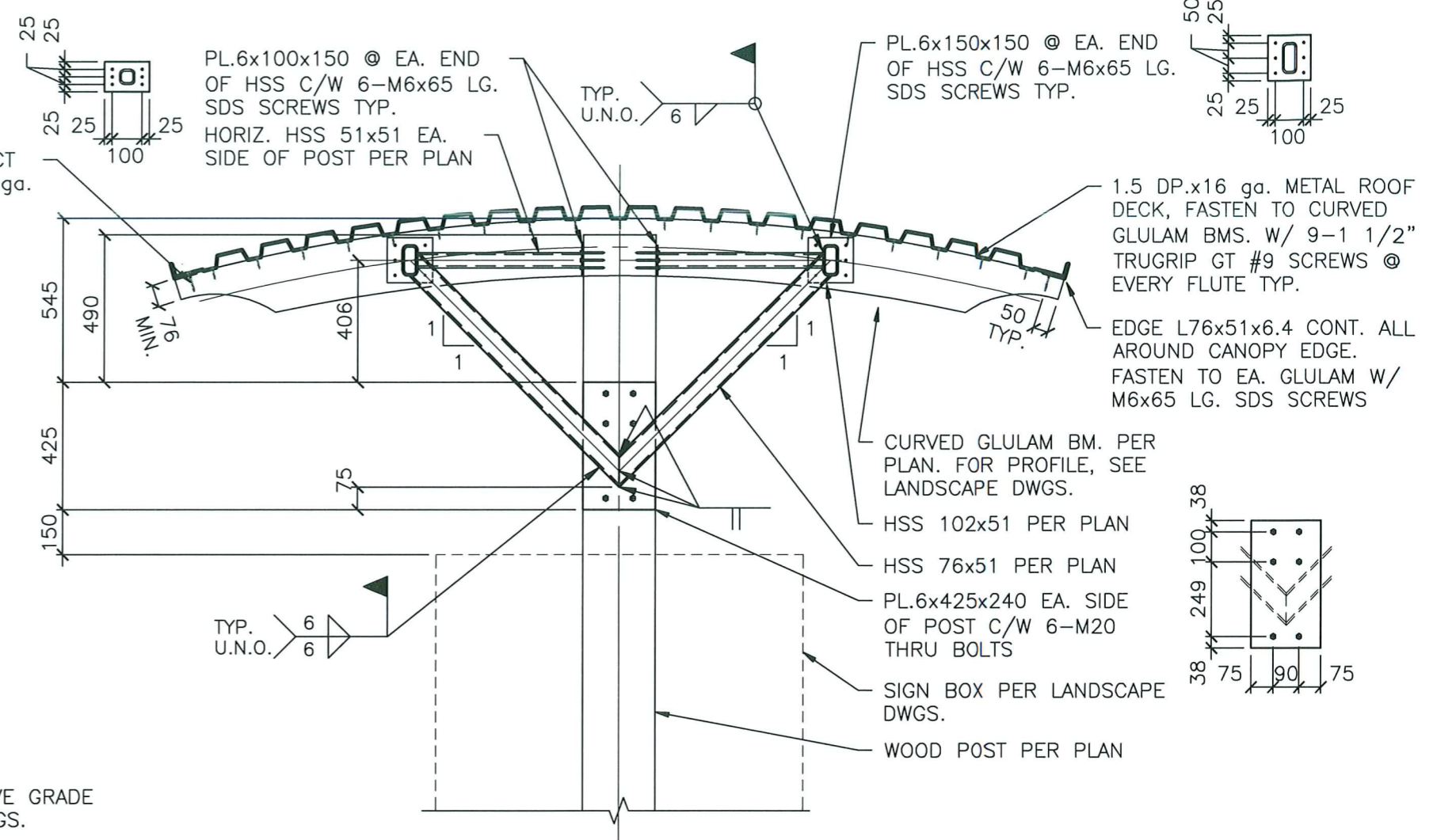
PROFESSIONAL  
PROVINCE OF  
M. P. NAYLOR  
# 33990  
C. BRITISH COLUMBIA  
ENGINEER  
2013 APR. 03

**CWMM**  
**CONSULTING ENGINEERS LTD.**  
200-1854 Kirschner Road  
Kelowna, B. C.  
Canada, V1Y 4N6  
Tel: (250) 868-2308  
Fax: (250) 868-2374  
e-mail: kelowna@cwmm.ca

TITLE:	SECTIONS (2m x 2m)	SCALE:	AS NOTED	REV.:	
REFERENCE DRAWING:		DATE:	2013-04-03	DWG. NO.:	
PROJECT:	GOLDEN VISITOR SIGNS URBAN SYSTEMS	DRAWN:	ML		S301
		PROJ. NO.:	K4206		



**SECTION 1**  
1:20  
S201



**SECTION 2**  
1:20  
S201

PROFESSIONAL  
PROVINCE OF  
M. P. NAYLOR  
# 33990  
C. BRITISH  
COLUMBIA  
ENGINEER  
2.23. APR. 03

<p><b>CWMM</b> CONSULTING ENGINEERS LTD. 200-1854 Kinsinger Road Kelowna, B. C. Canada, V1Y 4N6 Tel: (250) 868-2308 Fax: (250) 868-2374 e-mail: kelowna@cwmm.ca</p>	TITLE: SECTIONS (3m x 3m)	SCALE: AS NOTED	REV.:
	REFERENCE DRAWING:	DATE: 2013-04-03	DWG. NO.:
PROJECT: GOLDEN VISITOR SIGNS URBAN SYSTEMS	DRAWN: ML	S302	
		PROJ. NO.: K4206	