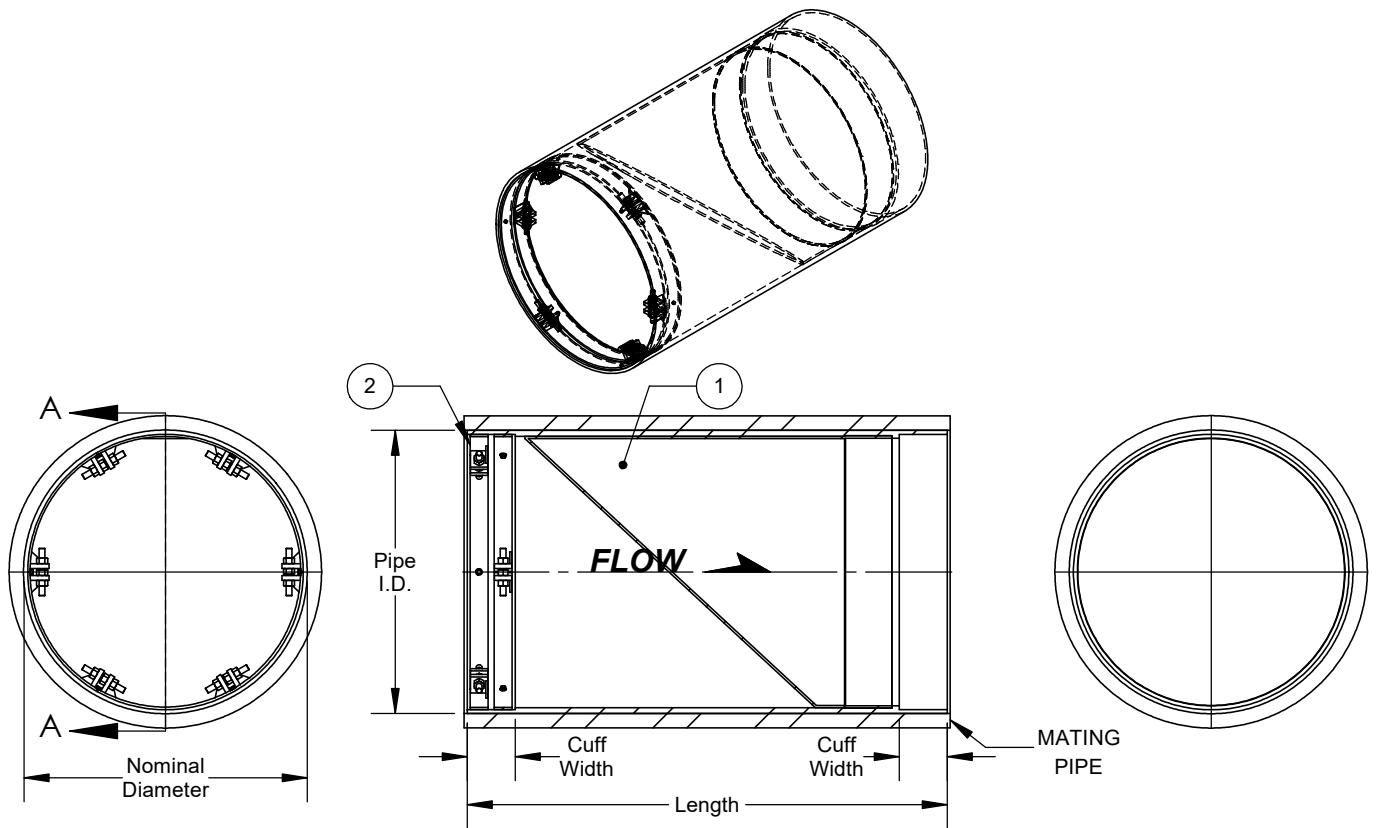


B

B



SECTION A-A

Bill of Materials

Item No.	Description	Material
1	ProFlex Style 790: Low Headloss In-Line Rubber Check Valve	DDB (EE, NN, NSF, PP, NR, VV)
2	Internal Expandable Clamp	DDB (304 SS, 316 SS)

Notes:

- Higher back pressures can be provided by using engineered Hi-Tensile reinforcement, contact Proco Products, Inc.
- Dimensions are approximate and may change due to pipe dimension changes, inlet pressure, back pressure and flow rates.
- Available in a Flanged Design - Contact Proco Products, Inc.
- For Quotation/Informational purposes only - Formal drawings to be presented as required.
- Installation, Operation & Maintenance Manual available at: <https://www.procoproducts.com/installation-instructions/>

Nominal Diameter	Qty.	Pipe I.D.	Clamp Installation Position	Standard Valve Dimensions		Flow Data				Approx. Weight	
				Cuff Width	Length	Flow Media	Max. Flow Rate	Max. Flow Velocity	Line Pressure		Back Pressure
48.0 (1200)				7.9 (200)	80.3 (2040)						1499.1 (680.0)

Proco Material Code	Cover Elastomer	Tube Elastomer	Maximum Operating Temperature
			°F (°C)
EE	EPDM	EPDM	250 (121)
NN	NEOPRENE	NEOPRENE	225 (107)
NN-NSF61	ANSI/NSF 61 NEOPRENE	ANSI/NSF 61 NEOPRENE	225 (107)
PP	NITRILE	NITRILE	225 (107)
NR	NEOPRENE	NATURAL RUBBER	180 (82)
VV	VITON	VITON	250 (121)

Elastomer Notes:

- ProFlex™ is a trademark of Proco Products, Inc.
- All products are reinforced with polyester tire cord.
- Styles with Neoprene covers meet all requirements of U.S.C.G.
- NN-NSF/61 UL Classified Water Quality
- Other Elastomers available upon request.

48" (1200mm) ProFlex Style 790: Low Headloss In-Line Rubber Check Valve



ADDRESS: 2431 WIGWAM DRIVE, STOCKTON, CA 95205 USA
 PHONE: 209-943-6088, FAX: 209-943-0242,
 WWW.PROCOPRODUCTS.COM

PROJECT NOTES:

PROJECT NAME:

CUSTOMER:

SIZE A	SCALE NTS	DRAWING No.	SHEET 1 OF 1
-----------	--------------	-------------	-----------------

A

A