

max. force at anchor rod

10m tower = 310kN

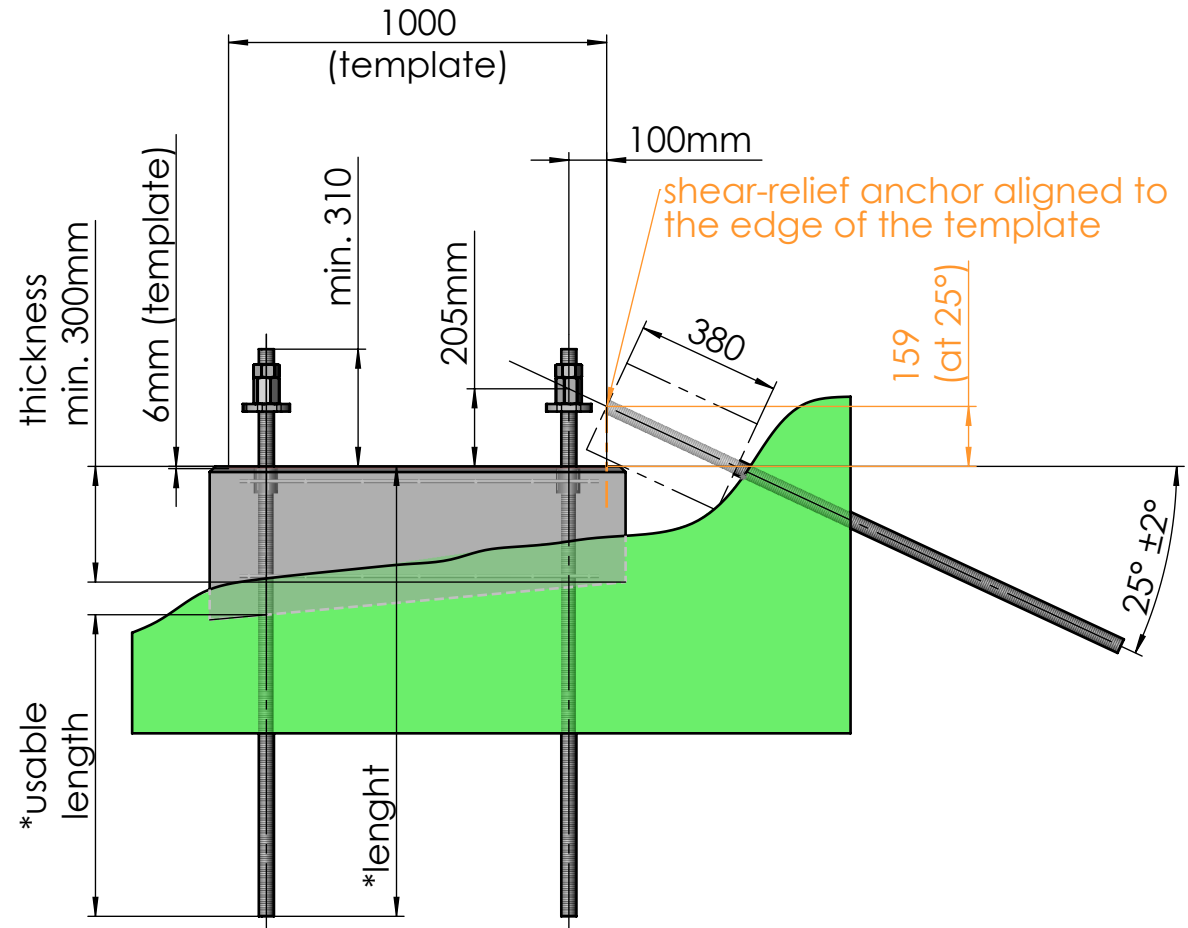
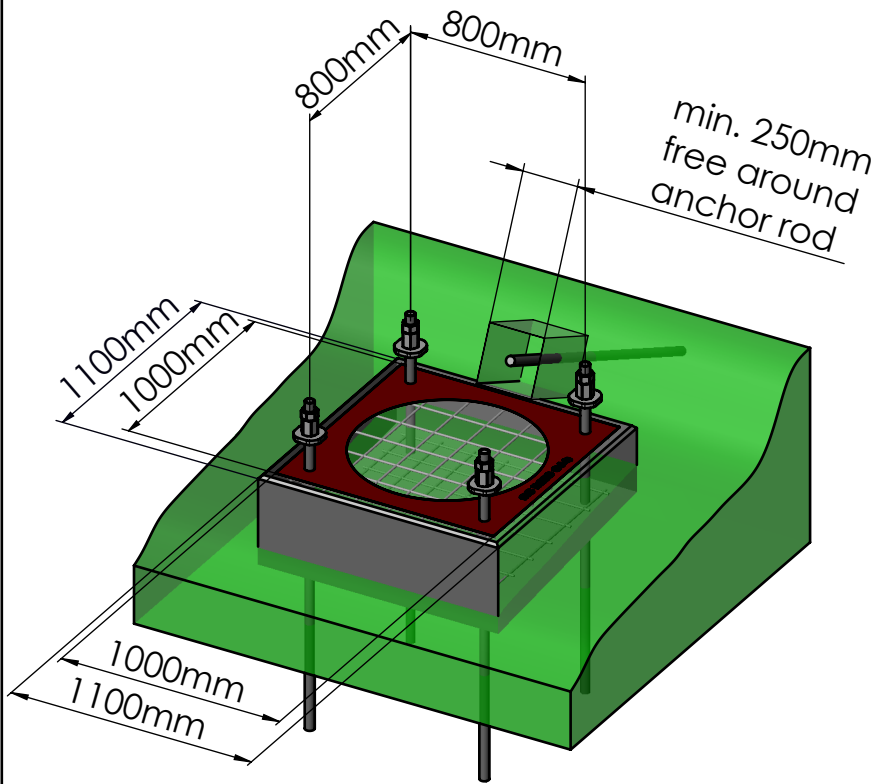
12m tower = 332kN

max. force at shear-relief anchor

10m tower = 542kN

12m tower = 543kN

max. outer-diameter = 47mm



*according to the foundation instruction