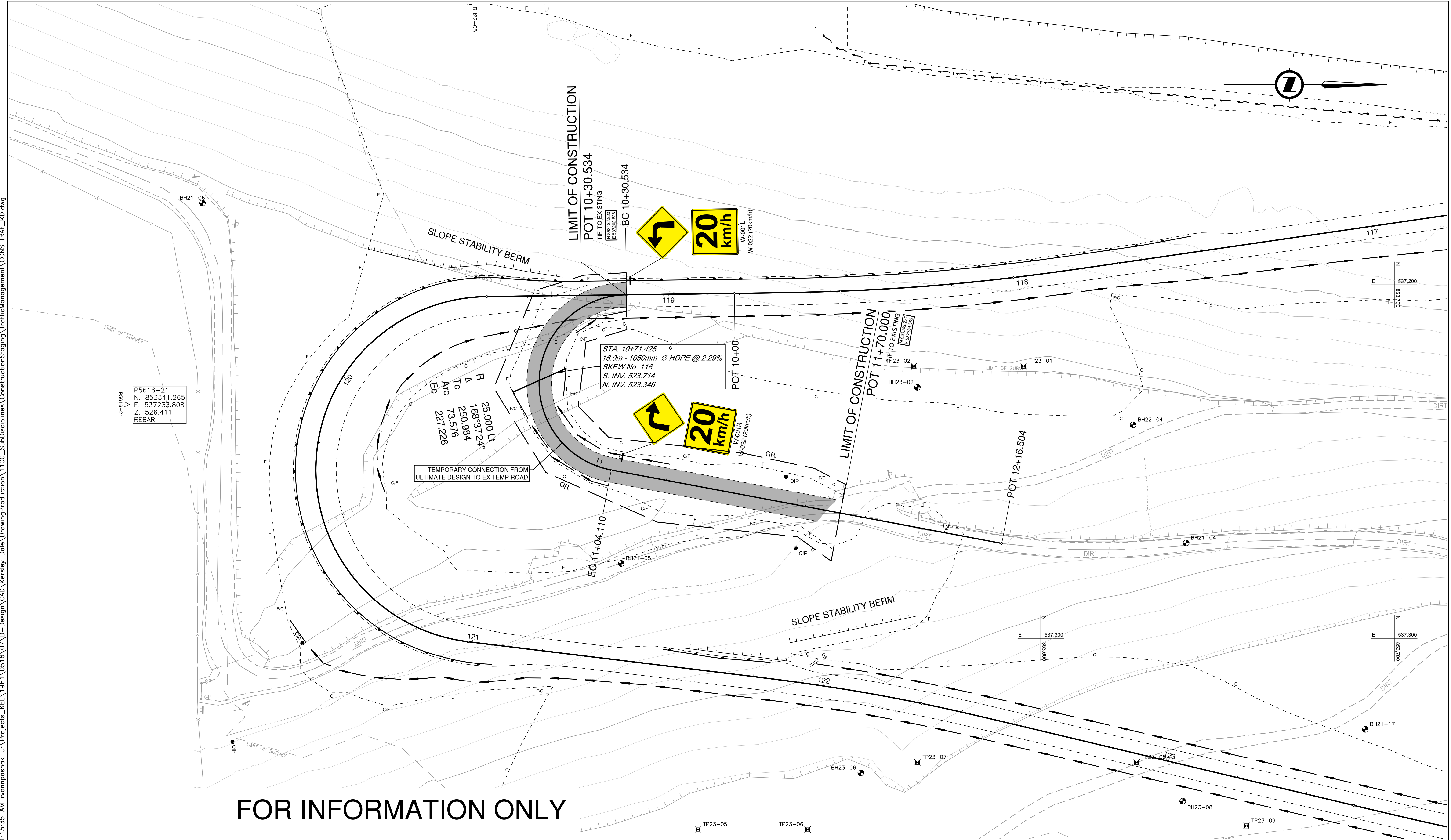


PLOT DATE: 2024-06-13 11:15:35 AM rvmppashak U:\Projects_KEL\1961\0516\07\Design\CAD\Kersley Dale\DrawingProduction\1100_SubDisciplines\ConstructionStaging\TrafficManagement\CONSTRAF_KD.dwg



FOR INFORMATION ONLY

GR TOTAL THIS DWG 0.278 Ha

NOTES:
 COORDINATES ARE AT GROUND LEVEL AND BASED ON THE FOLLOWING
 CONVERSION FACTORS FROM UTM NAD83 ZONE 10N (CSRS):
 - UTM TACK POINT: 5853341.265N, 537233.808E
 - VERTICAL DATUM: CGVD28 (HT2_0)
 - AVERAGE COMBINED SCALE FACTOR = 0.999537
 - ROTATION: NOT APPLIED
 - TRANSLATION: NORTH (-5000000), EAST (0)



REV	DATE	REVISIONS	NAME

BRITISH COLUMBIA
 MINISTRY OF TRANSPORTATION AND INFRASTRUCTURE
 SOUTHERN INTERIOR REGION
 HIGHWAY ENGINEERING AND GEOMATICS

DESIGNED: B.KINGSLEY DATE: 2024-06-06
 QUALITY CONTROL: A.HARRIS DATE: 2024-05-30
 QUALITY ASSURANCE: J.WILKISON DATE: 2024-06-06
 DRAWN: M.MENEZES DATE: 2024-06-07

CAD FILENAME: CONSTRAF_KD
 FILE NUMBER: 1961.0516.07
 PLOT DATE: 2024-06-13

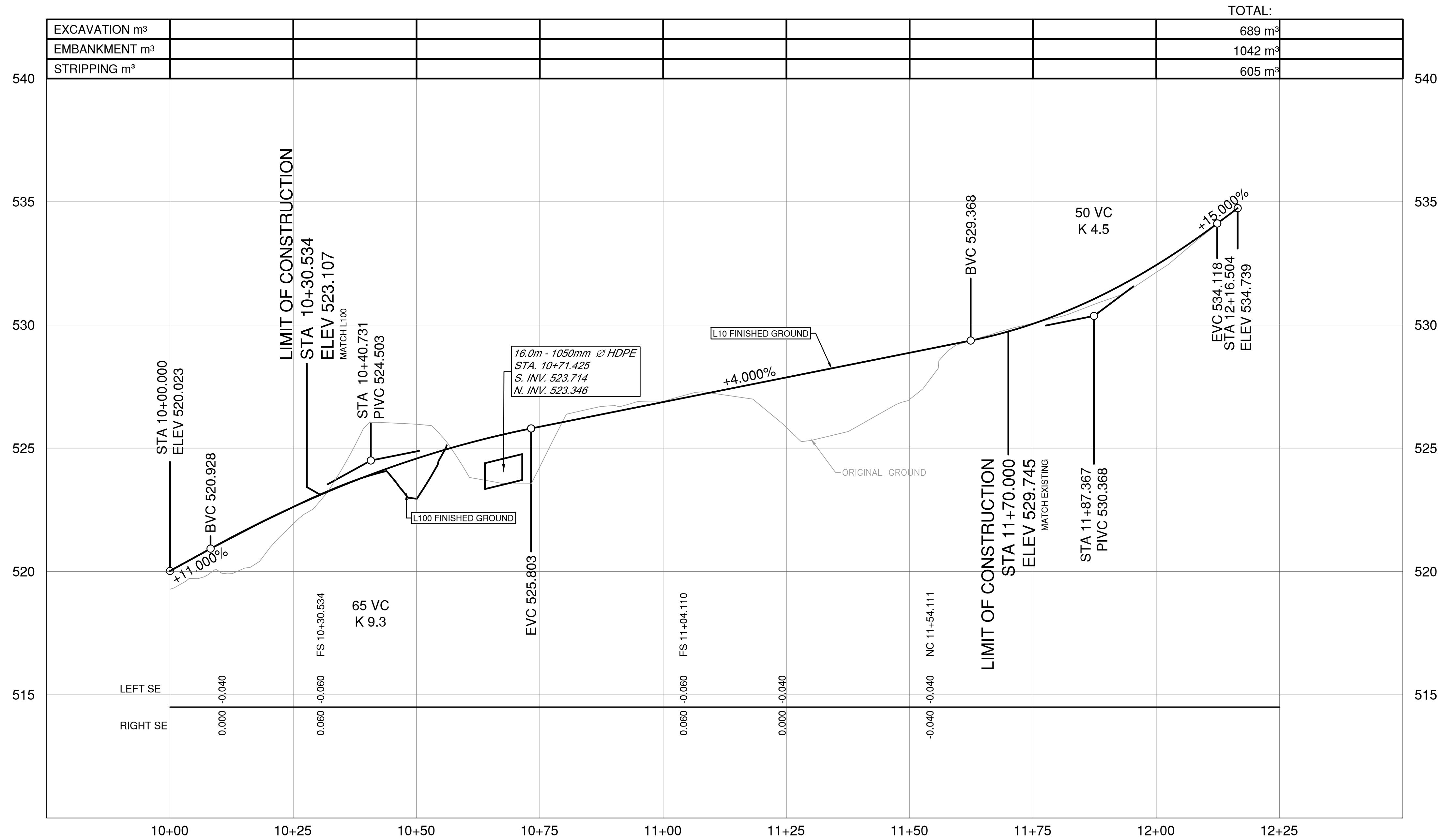
CONSTRUCTION STAGING - PLAN
 KERSLEY DALE LANDING ROAD WASHOUT

SCALE: 0 5 1:500 25m

PROJECT NUMBER: 26250-0001
 REG: 2
 DRAWING NUMBER: R2-1165-1101

STA 10+00.000 TO STA 12+16.504

PLOT DATE: 2024-06-13 10:56:26 AM rvmppashdk U:\Projects_KEL\1961\0516\07\07-D-Design\CAD\Kersley_Dale\DrawingProduction\1100_SubDisciplines\Construction\Staging\TrafficManagement\CONSTRTRAFF_KD.dwg



FOR INFORMATION ONLY

NOTES:
 COORDINATES ARE AT GROUND LEVEL AND BASED ON THE FOLLOWING
 CONVERSION FACTORS FROM UTM NAD83 ZONE 10N (CSRS):
 - UTM TACK POINT: 5853341.265N, 537233.808E
 - VERTICAL DATUM: CGVD28 (HT2_0)
 - AVERAGE COMBINED SCALE FACTOR = 0.999537
 - ROTATION: NOT APPLIED
 - TRANSLATION: NORTH (-5000000), EAST (0)



REV	DATE	REVISIONS	NAME



MINISTRY OF TRANSPORTATION
AND INFRASTRUCTURE
SOUTHERN INTERIOR REGION
HIGHWAY ENGINEERING AND GEOMATICS



CAD FILENAME: <u>CONSTRTRAFF_KD</u>	DESIGNED: <u>B.KINGSLEY</u> DATE: <u>2024-06-06</u>
FILE NUMBER: <u>1961.0516.07</u>	QUALITY CONTROL: <u>A.HARRIS</u> DATE: <u>2024-05-30</u>
PLOT DATE: <u>2024-06-13</u>	QUALITY ASSURANCE: <u>J.WILKISON</u> DATE: <u>2024-06-06</u>
	DRAWN: <u>M.MENEZES</u> DATE: <u>2024-06-07</u>

CONSTRUCTION STAGING - PROFILE

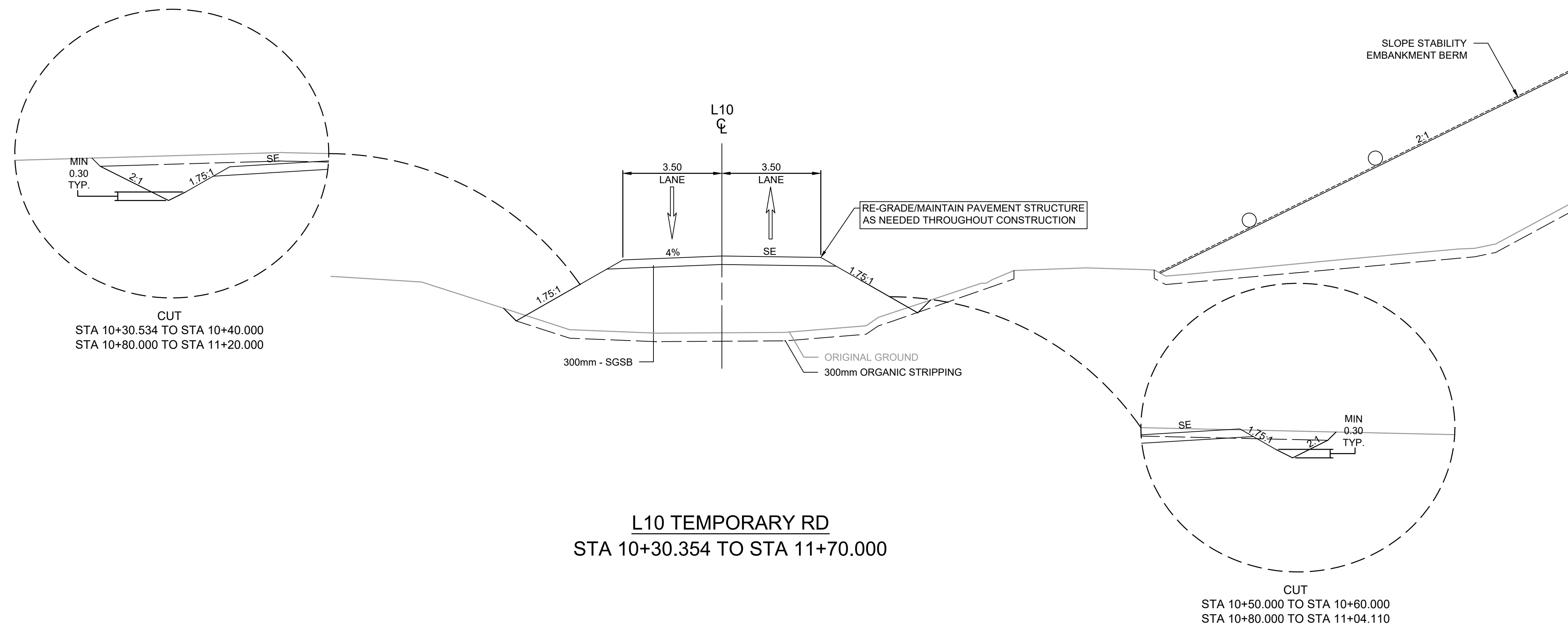
KERSLEY DALE LANDING ROAD WASHOUT

STA 10+00.000 TO STA 12+16.504



PROJECT NUMBER 26250-0001	REG 2	DRAWING NUMBER R2-1165-1102	REV
-------------------------------------	-----------------	---------------------------------------	-----

PLOT DATE: 2024-06-13 10:56:32 AM rvmppashdk U:\Projects_KEL\1961\0516\07\07\Design\CAD\Kersley Dale\DrawingProduction\1100_SubDisciplines\Construction\Staging\TrafficManagement\CONSTRAF_TYPICALSECTION_KD.dwg



FOR INFORMATION ONLY

NOTES:
 COORDINATES ARE AT GROUND LEVEL AND BASED ON THE FOLLOWING
 CONVERSION FACTORS FROM UTM NAD83 ZONE 10N (CSRS):
 - UTM TACK POINT: 5853341.265N, 537233.808E
 - VERTICAL DATUM: CGVD28 (HT2_0)
 - AVERAGE COMBINED SCALE FACTOR = 0.999537
 - ROTATION: NOT APPLIED
 - TRANSLATION: NORTH (-5000000), EAST (0)



REV	DATE	REVISIONS	NAME	PROFESSIONAL SEALS



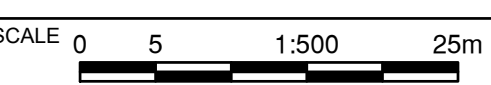
MINISTRY OF TRANSPORTATION
AND INFRASTRUCTURE
SOUTHERN INTERIOR REGION
HIGHWAY ENGINEERING AND GEOMATICS



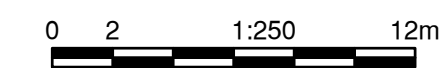
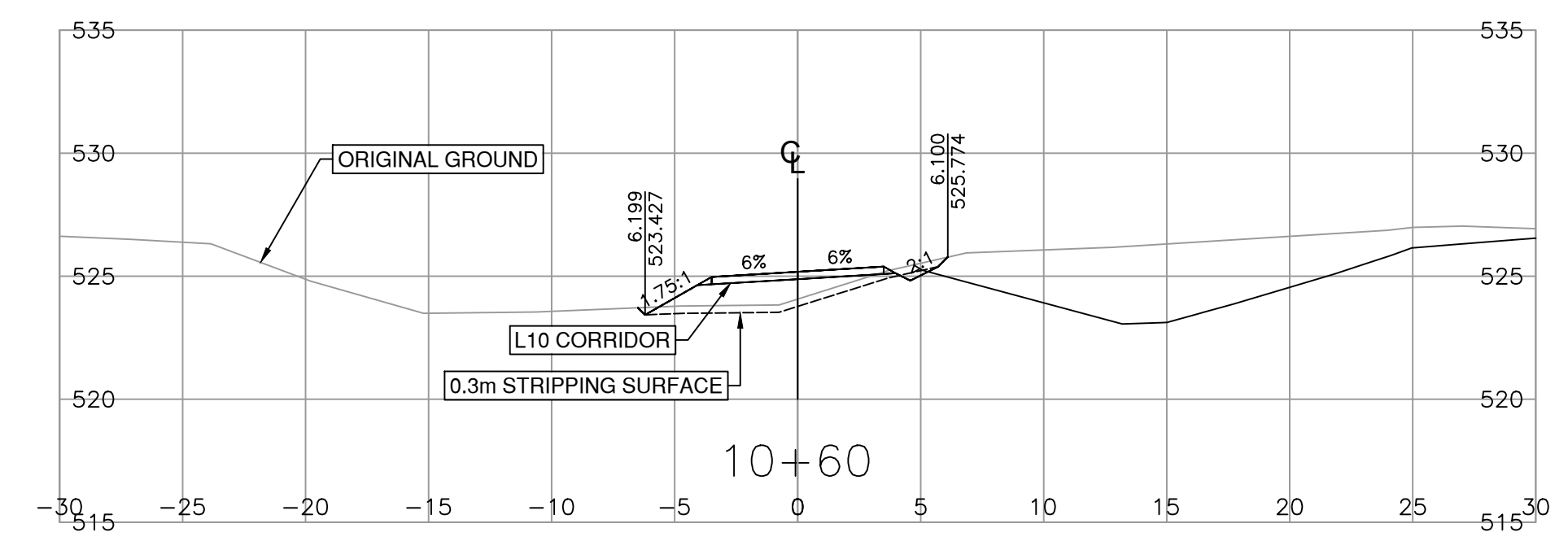
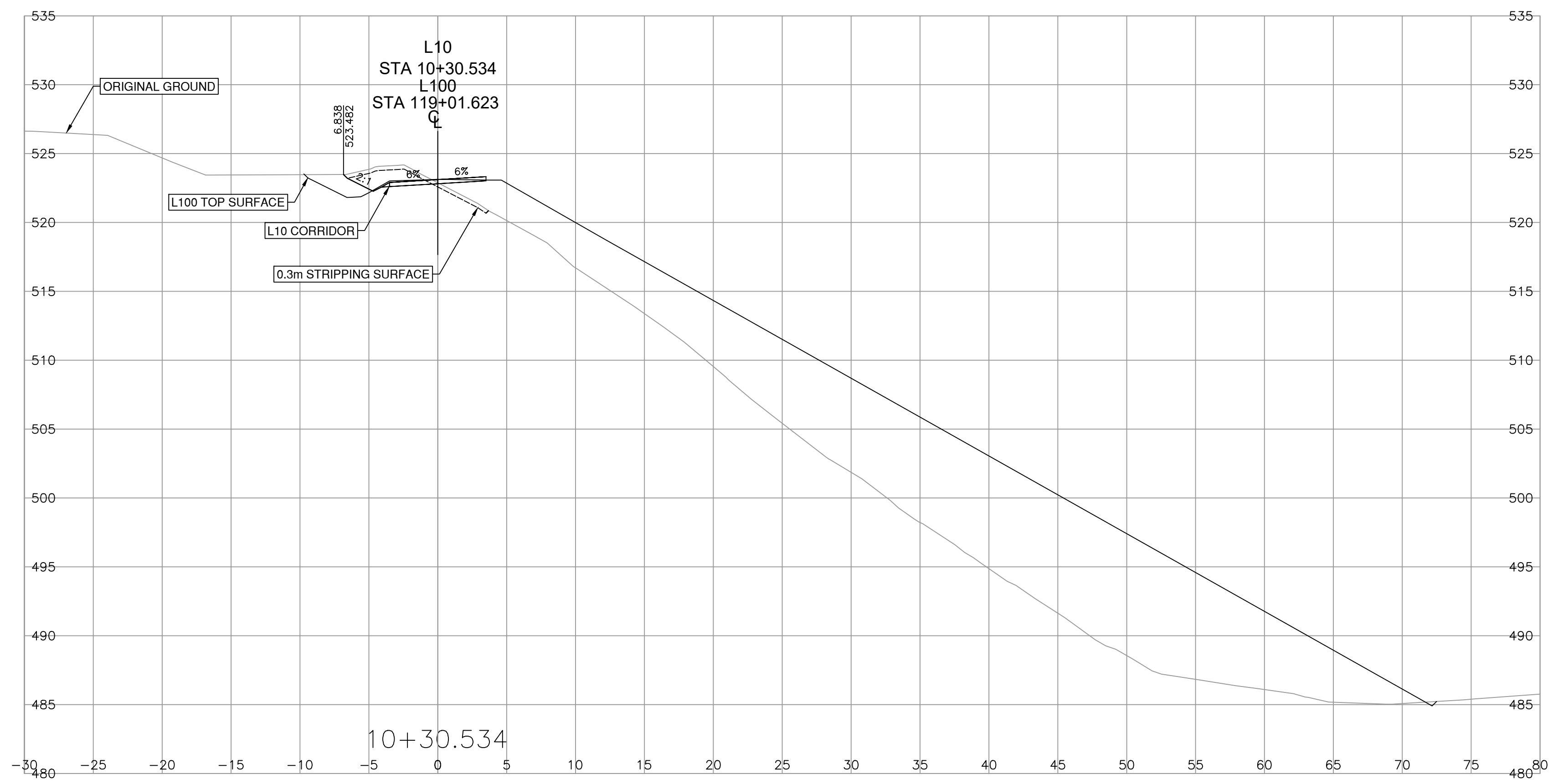
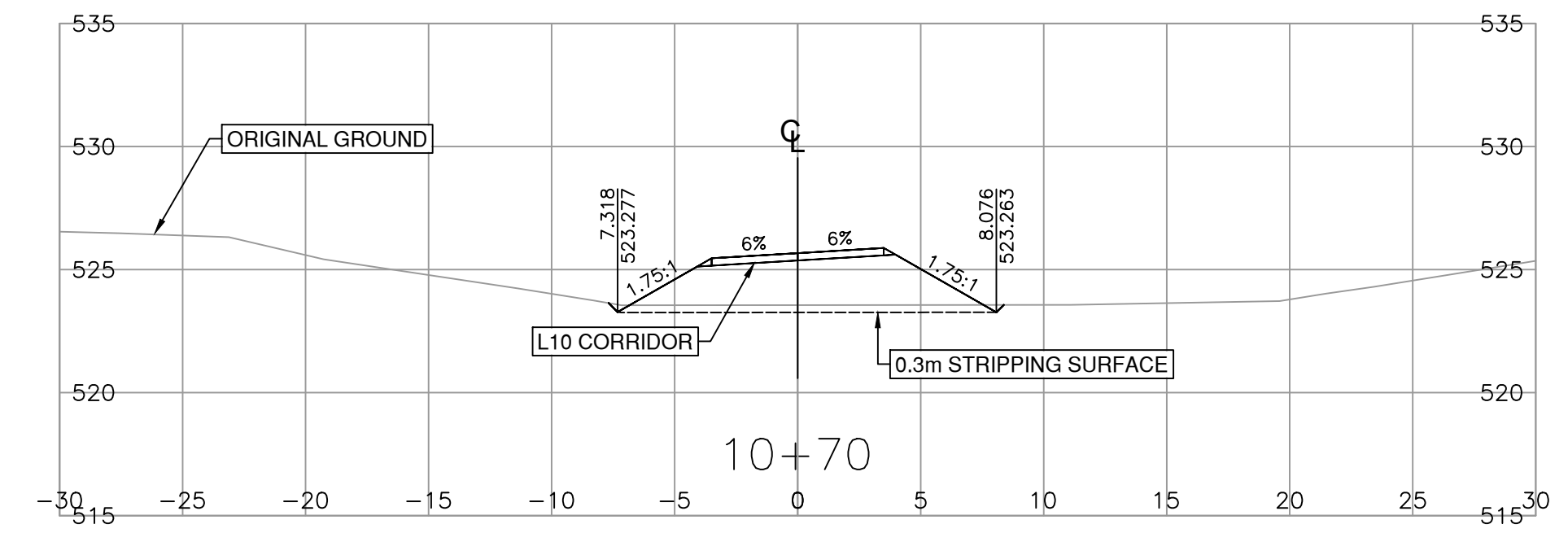
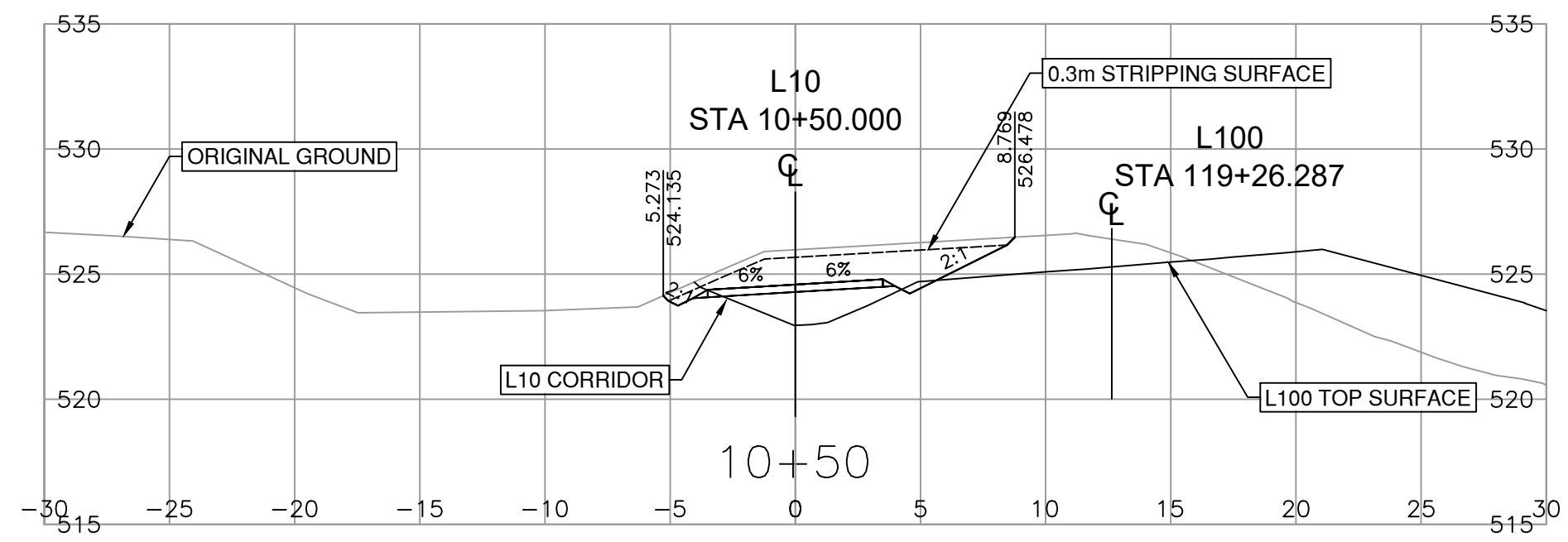
CAD FILENAME: CONSTRAF_TYPICALSECTION_KD	DESIGNED: B.KINGSLEY DATE: 2024-06-06
FILE NUMBER: 1961.0516.07	QUALITY CONTROL: A.HARRIS DATE: 2024-05-30
PLOT DATE: 2024-06-13	QUALITY ASSURANCE: J.WILKISON DATE: 2024-06-06
	DRAWN: M.MENEZES DATE: 2024-06-07

CONSTRUCTION STAGING - TYPICAL SECTION

KERSLEY DALE LANDING ROAD WASHOUT

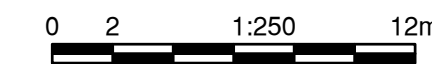
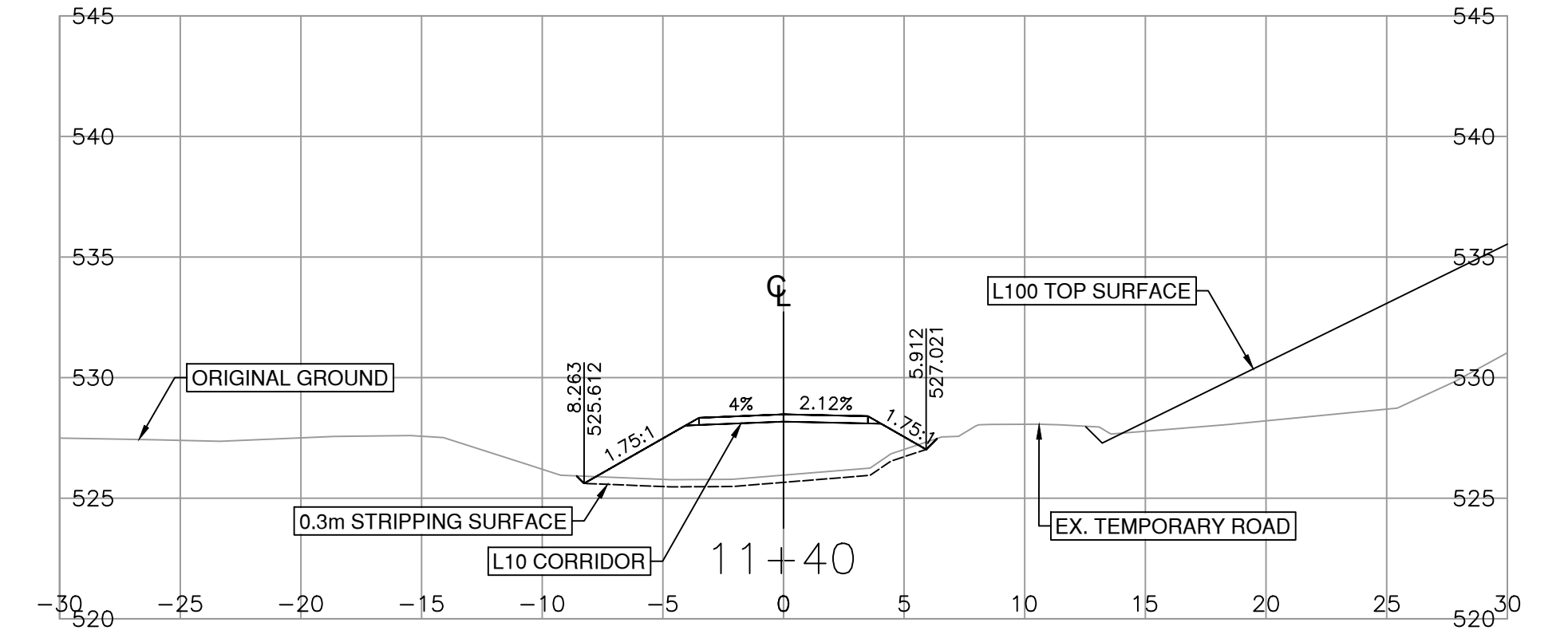
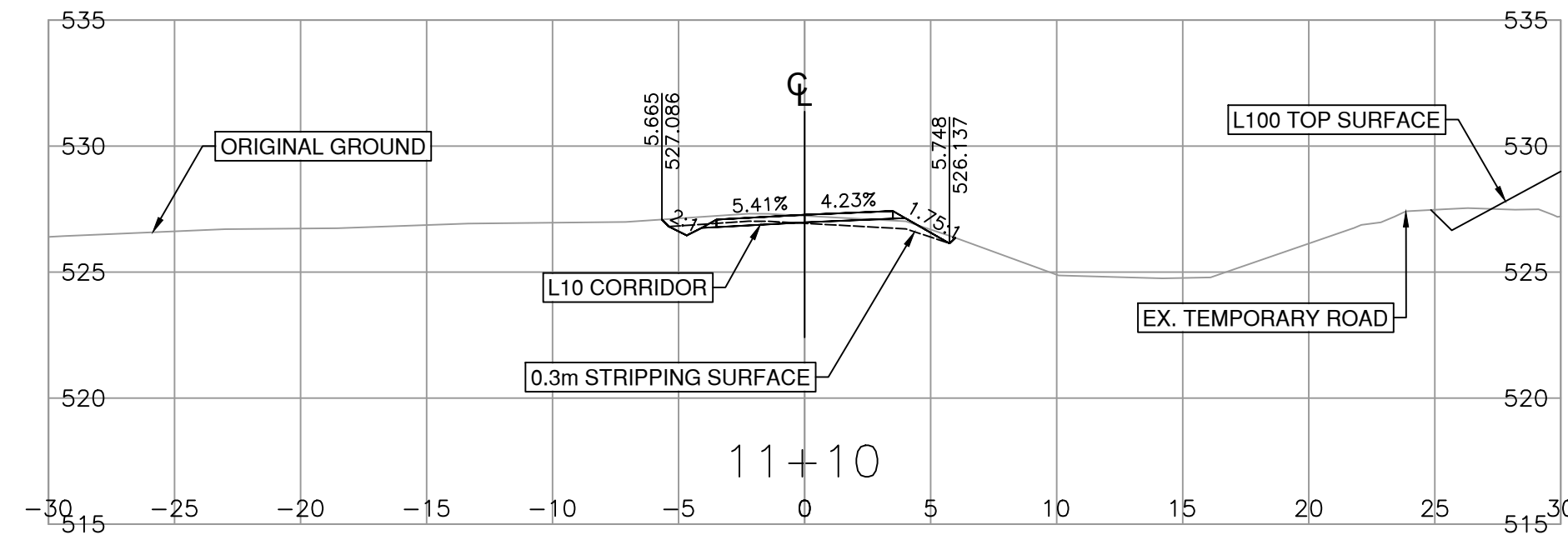
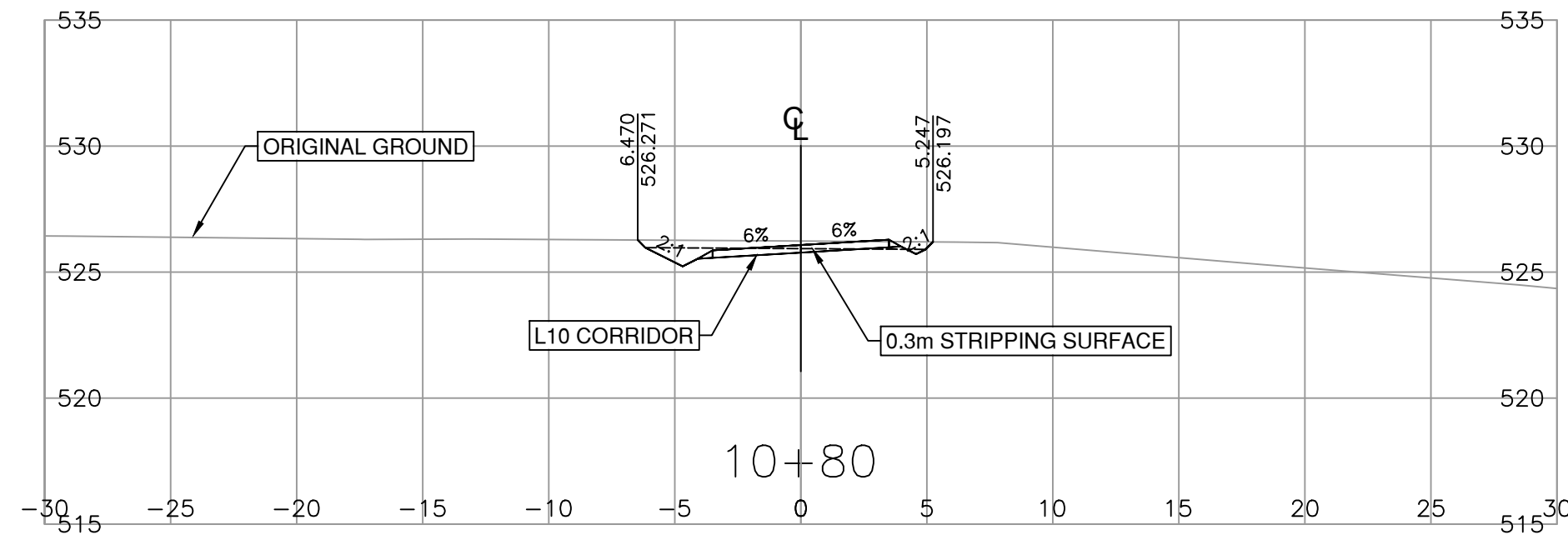
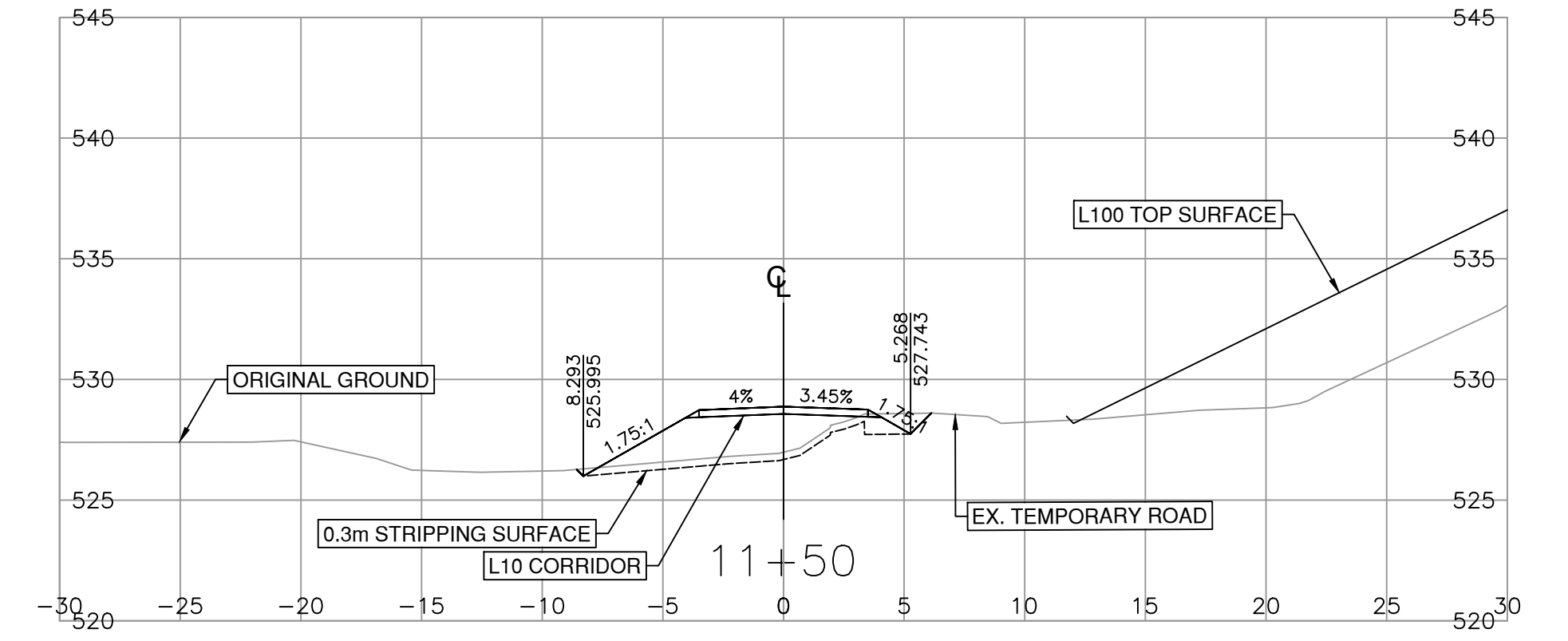
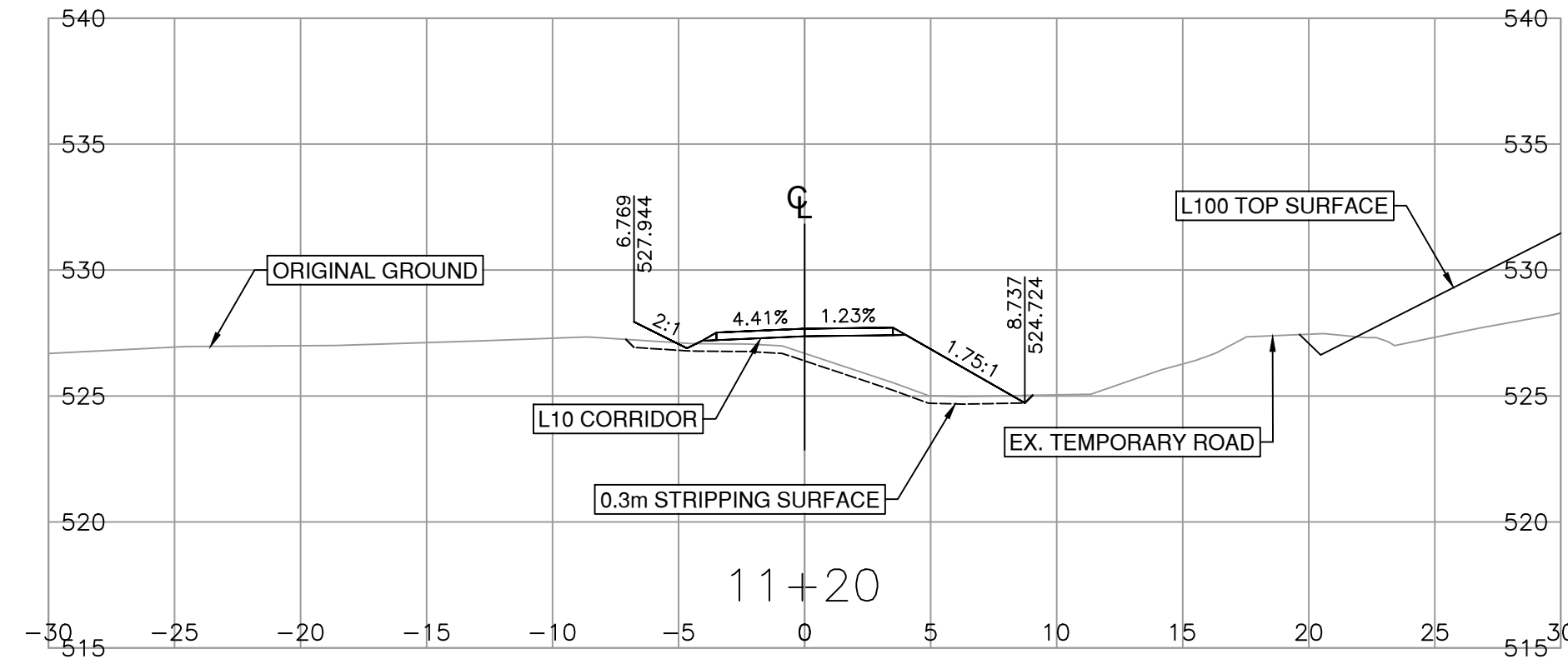
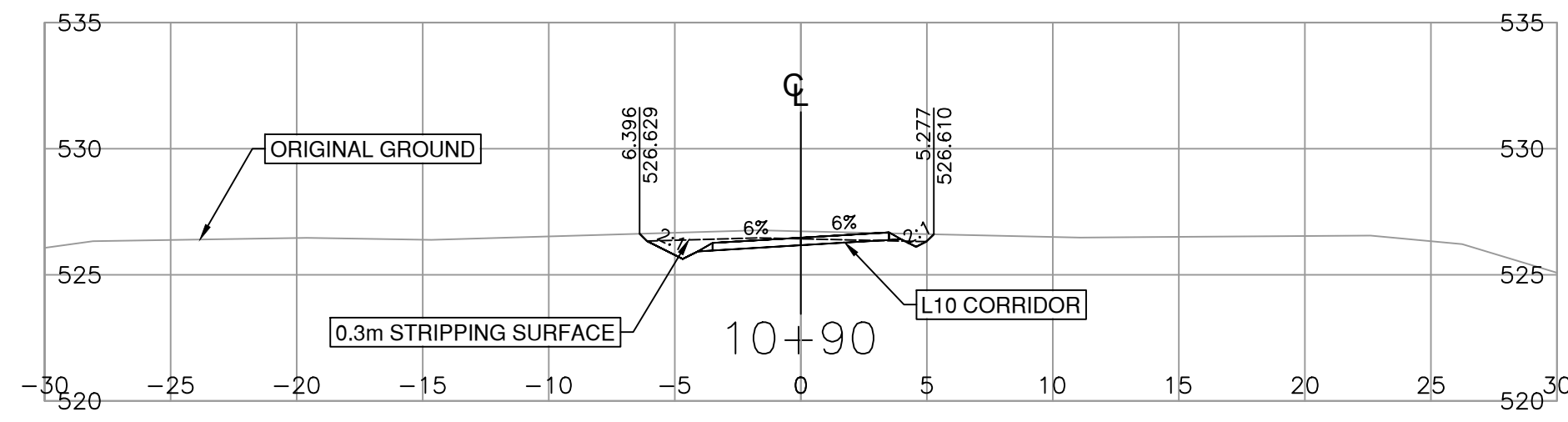
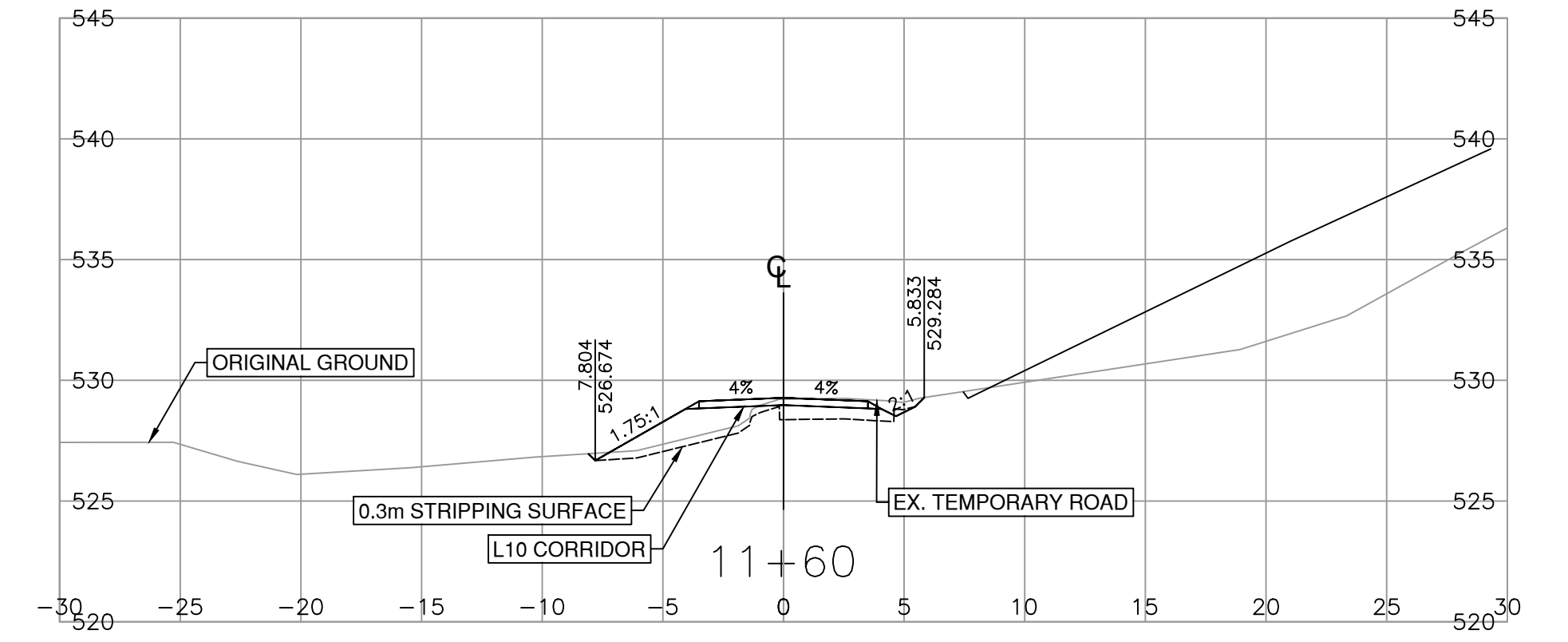
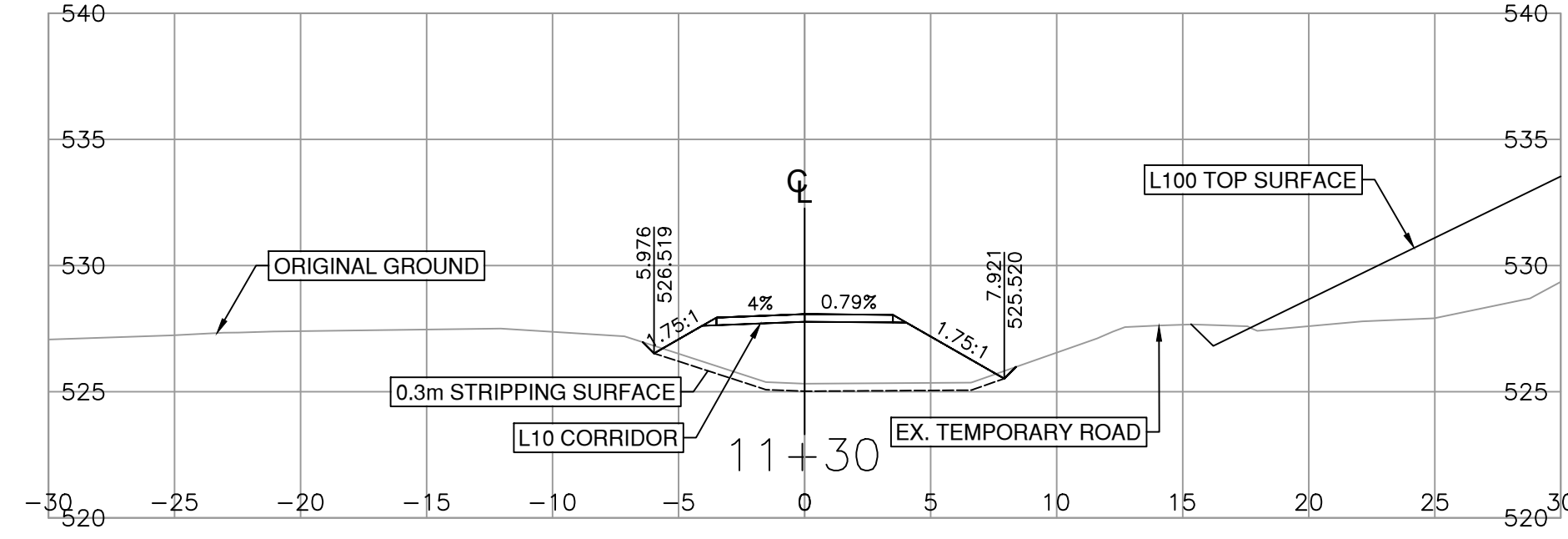
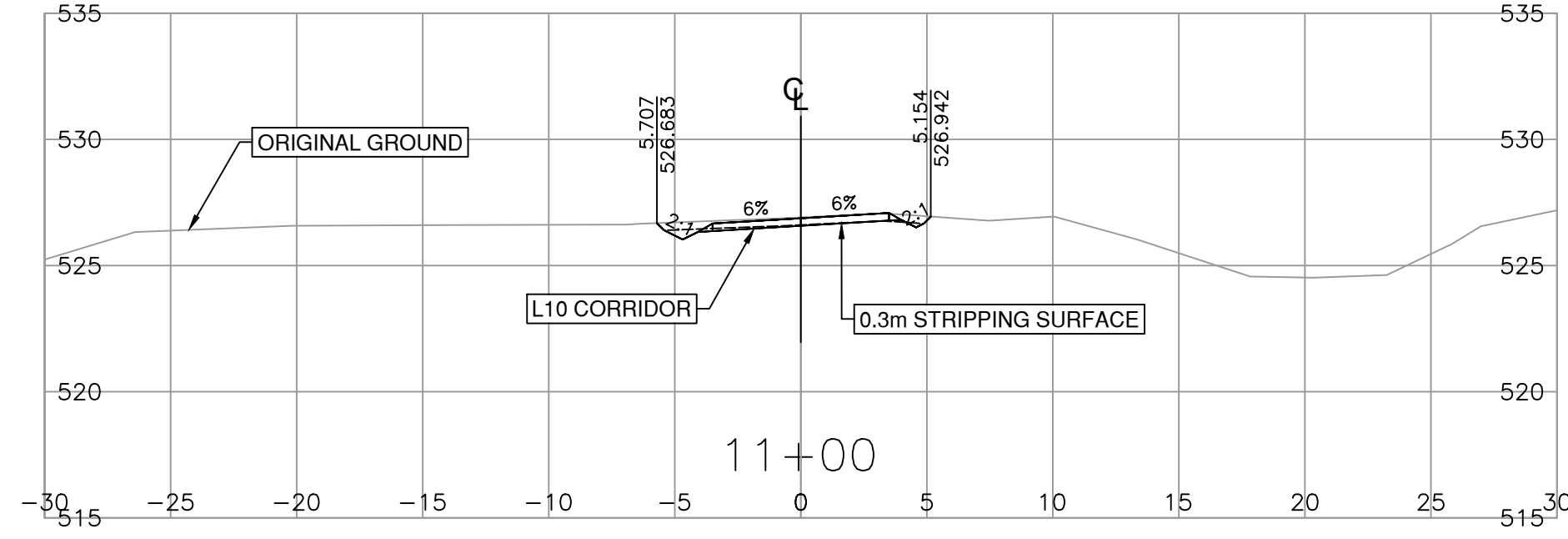


PROJECT NUMBER	REG	DRAWING NUMBER	REV
26250-0001	2	R2-1165-1103	

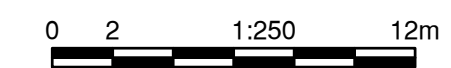
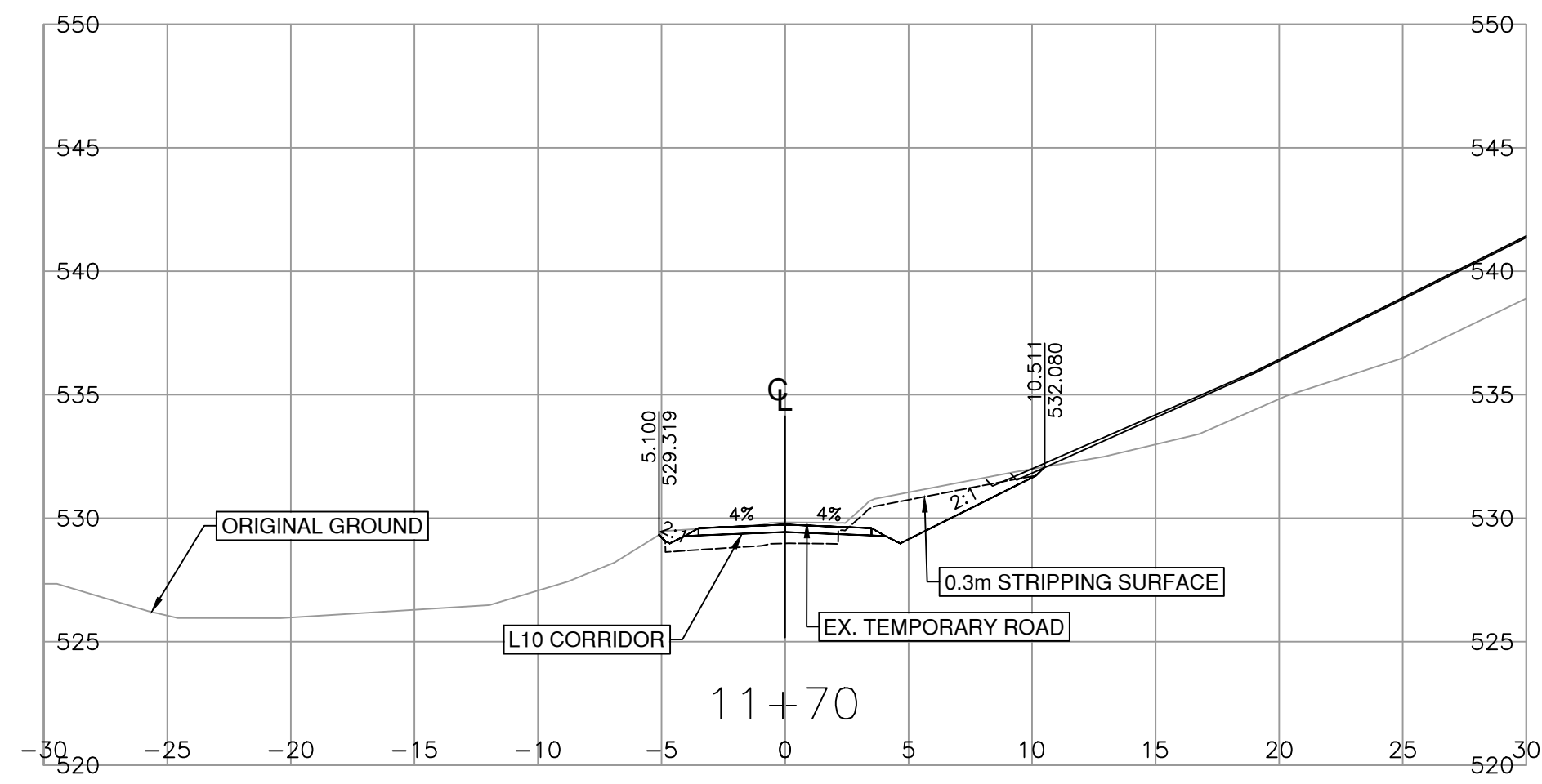


FOR INFORMATION ONLY

U:\Projects_KEL\1961\0516\0\VD-Design\CAD\Kersley Date\DrawingProduction\1100_SubDisciplines\Construction\Staging\TrafficManagement\CONSTRAFF_DESIGN\SECTIONS_K0.dwg



FOR INFORMATION ONLY



FOR INFORMATION ONLY