

SECTION A
SCALE 1:50



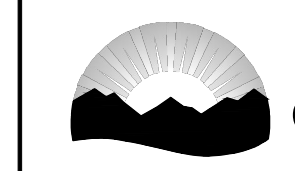
PLAN
SCALE 1:100

PRELIMINARY
NOT ISSUED FOR CONSTRUCTION



Rev	Date	Description	Init
-	-	-	-
-	-	-	-
-	-	-	-
-	-	-	-
-	-	-	-

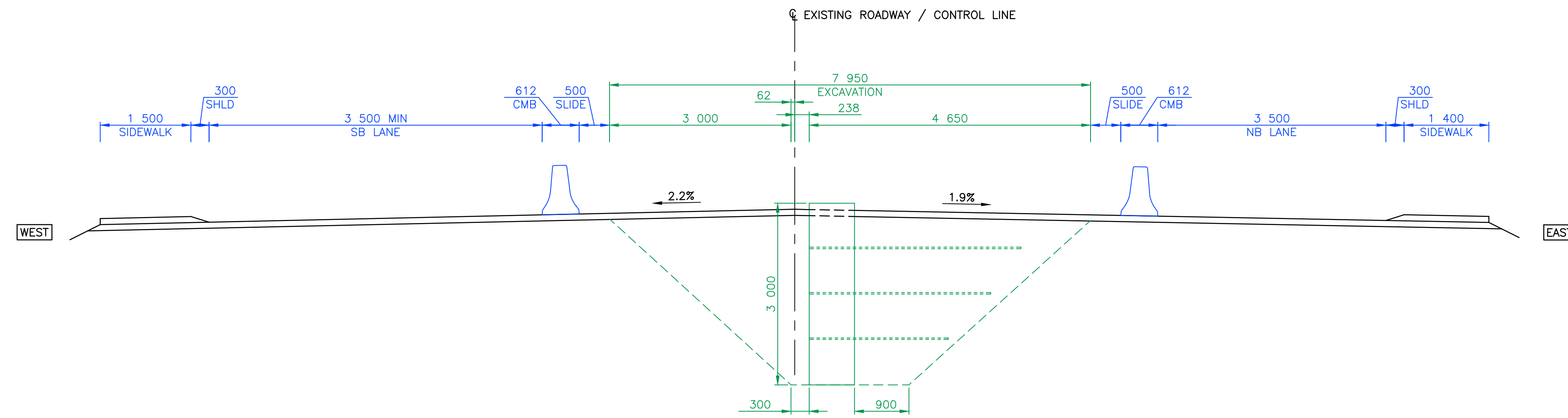
REVISIONS



BRITISH COLUMBIA
Ministry of Transportation & Infrastructure
Southern Interior Region

**CARIBOO DISTRICT
HIGHWAY NO. 97
CACHE CREEK CULVERT REPLACEMENT
STAGE 0 - PLAN**

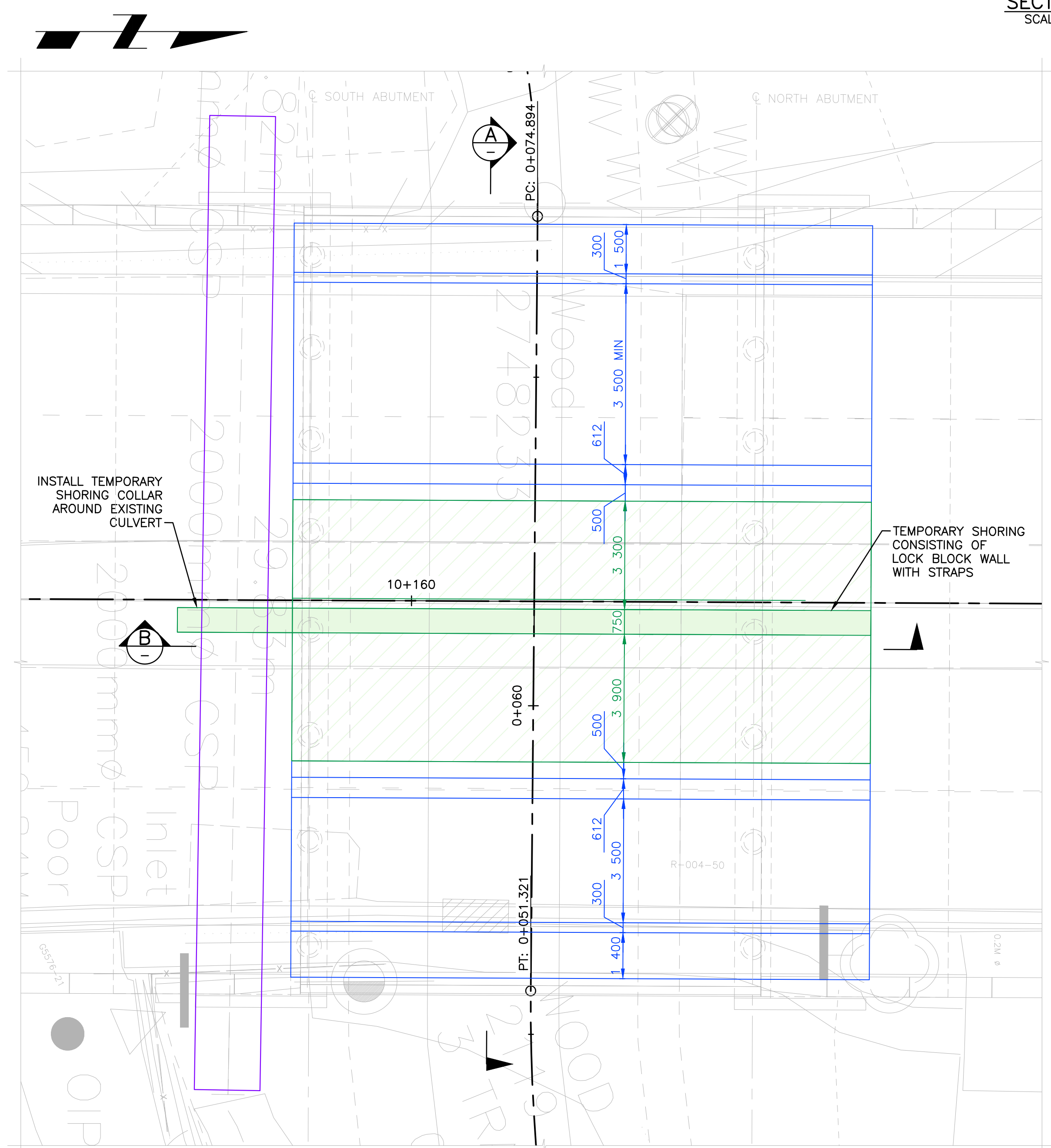
PREPARED UNDER THE DIRECTION OF		DESIGNED CC	DATE 23/09/22
TOM NOTT		CHECKED TN	DATE 23/09/22
		DRAWN CS	DATE 23/09/22
		SCALE AS SHOWN	
DATE 22-SEPT-2023	PROJECT No. 26239	REG. 2	DRAWING No. 01



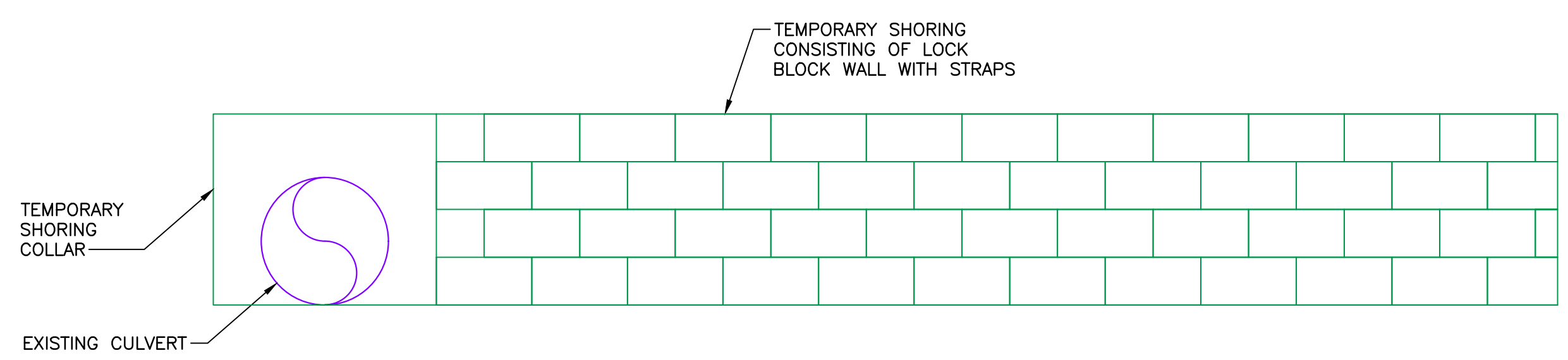
SECTION-A
SCALE 1:50

SUGGESTED STAGING PROCEDURE:

1. CLOSE INSIDE LANES, INSTALL CMBS, AND DIVERT TRAFFIC TO OUTSIDE LANES.
2. EXCAVATE FILL TO UNDERSIDE OF FUTURE PILE CAP LEVEL AND INSTALL TEMPORARY SHORING TO RETAIN HIGHWAY ON EAST SIDE DURING CONSTRUCTION ON WEST SIDE.
3. INSTALL TEMPORARY SHORING COLLAR AROUND EXISTING CULVERT IN SAME PLANE AS OTHER SHORING



PLAN
SCALE 1:200



SECTION B
SCALE 1:75

PRELIMINARY
NOT ISSUED FOR CONSTRUCTION

wsp

Rev	Date	Description	Init
-	-	-	-
-	-	-	-
-	-	-	-
-	-	-	-
-	-	-	-

REVISIONS

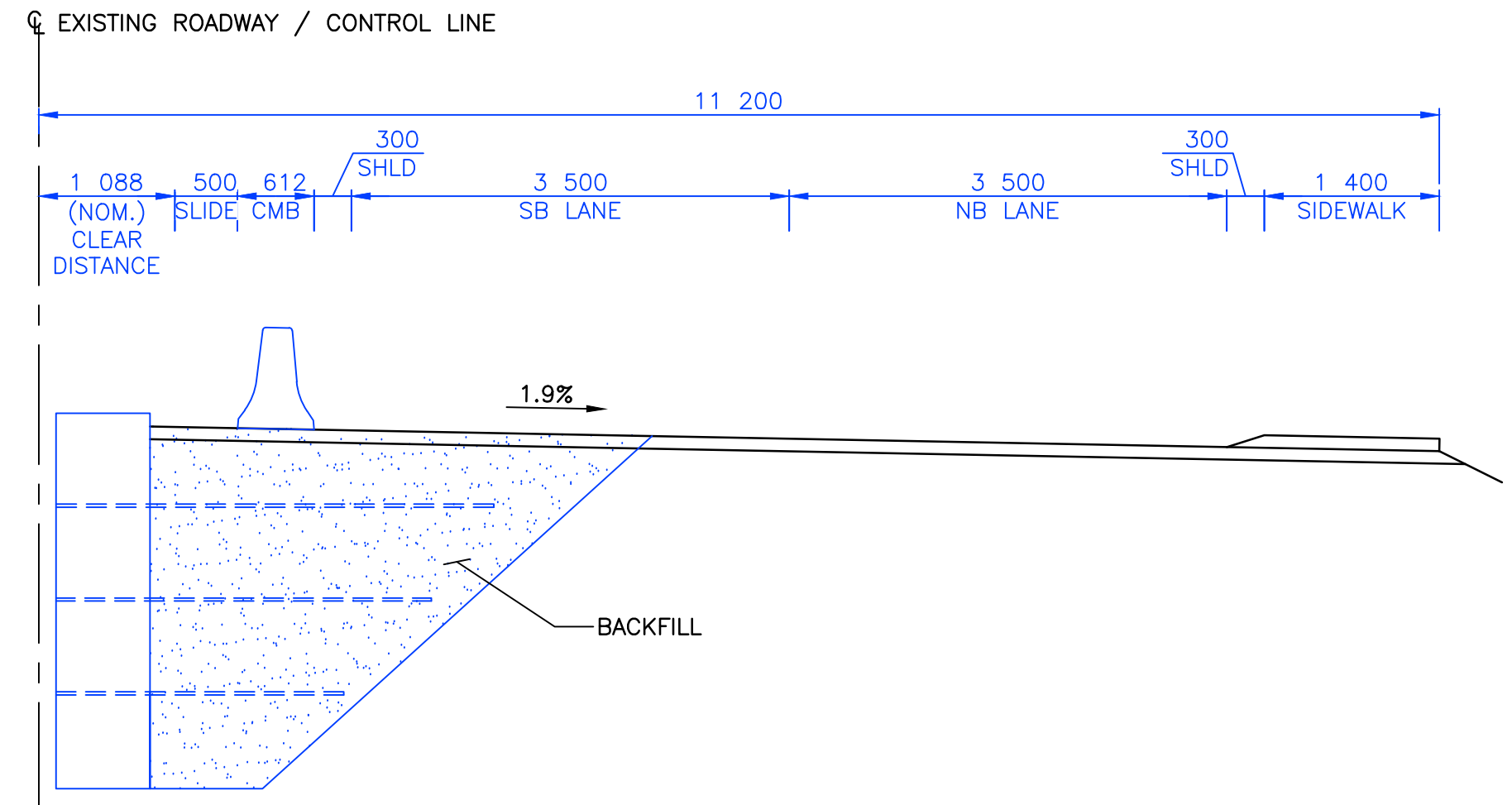
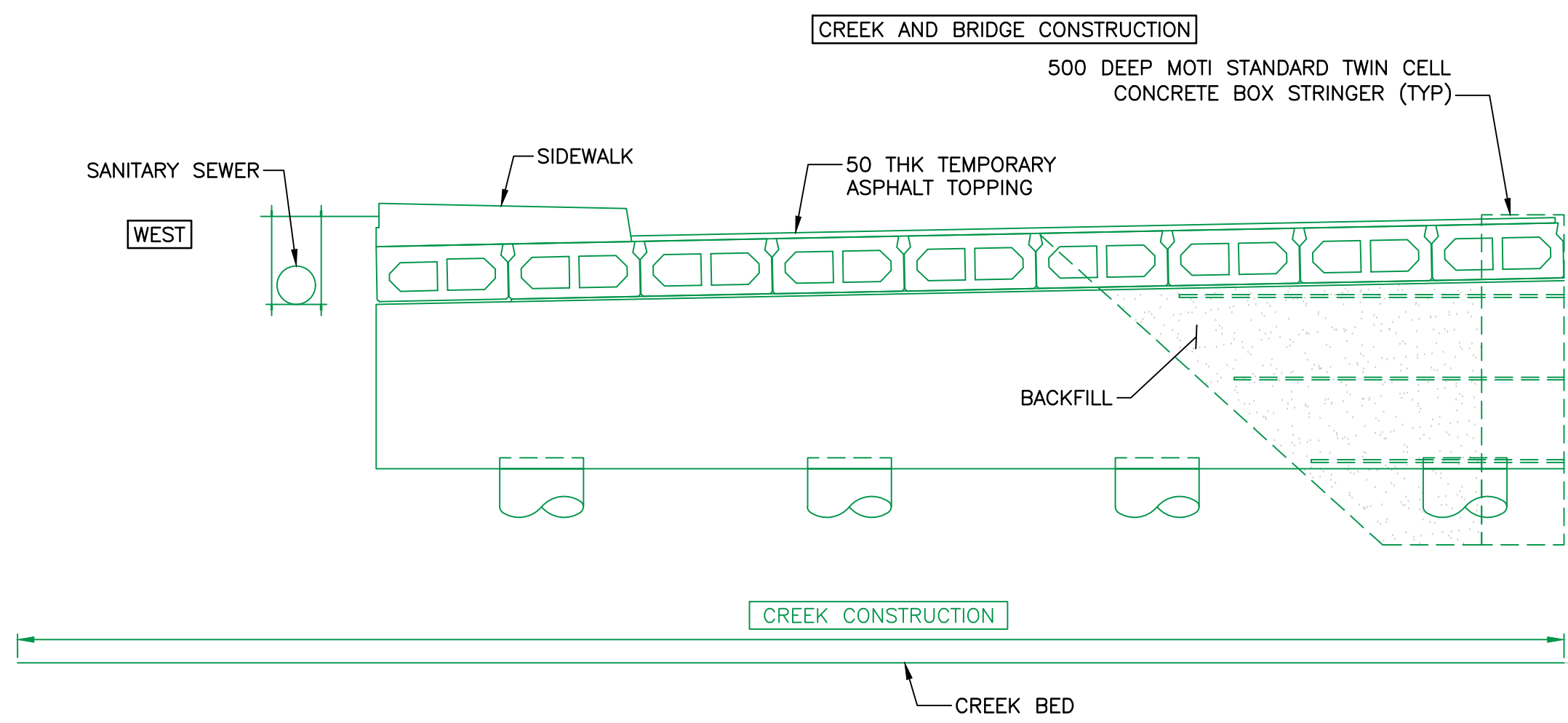
BRITISH COLUMBIA

Ministry of Transportation & Infrastructure
Southern Interior Region

**CARIBOO DISTRICT
HIGHWAY NO. 97**

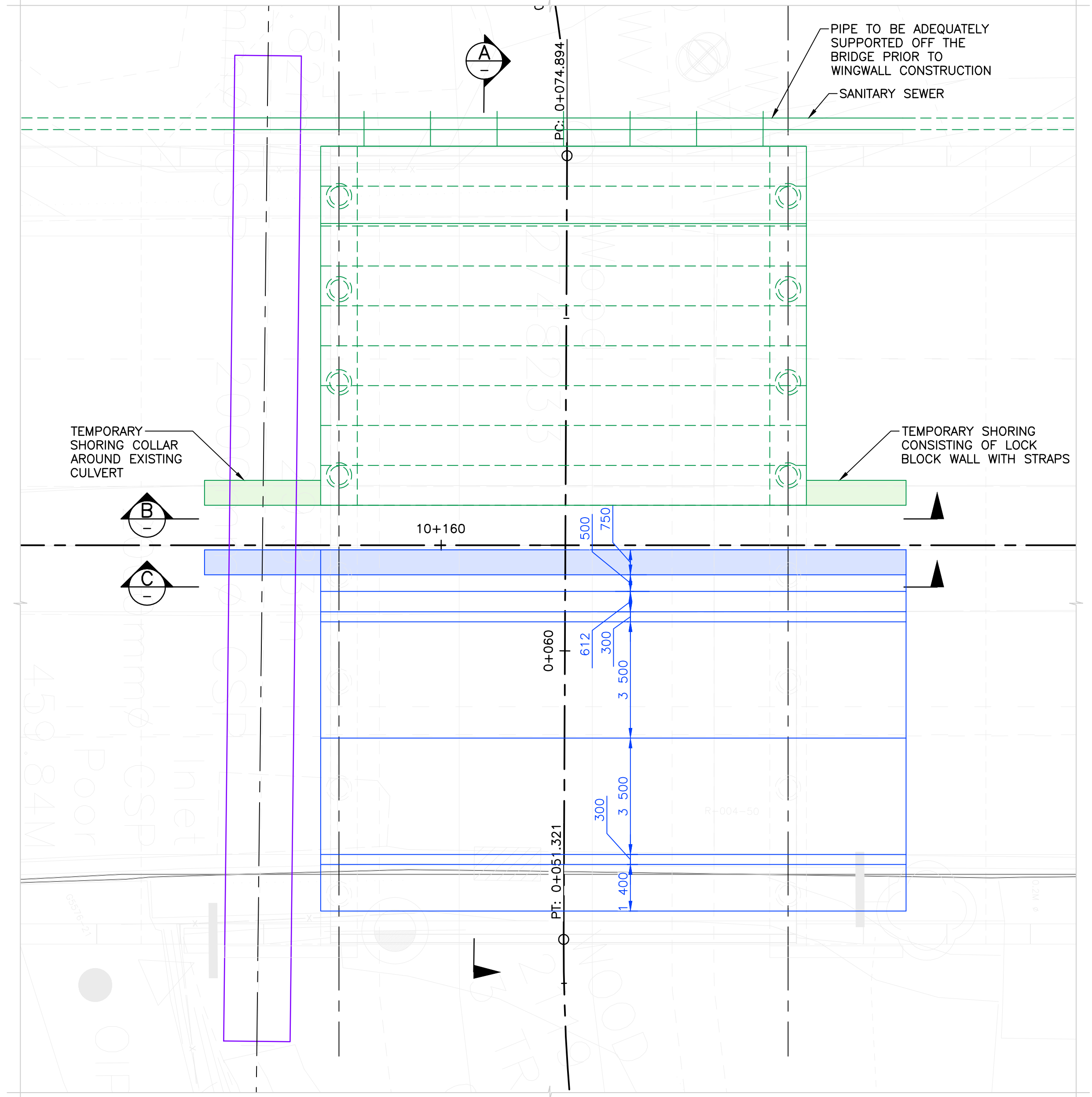
**CACHE CREEK CULVERT REPLACEMENT
STAGE 1-TEMPORARY SHORING INSTALLATION**

PREPARED UNDER THE DIRECTION OF		DESIGNED CC	DATE 23/09/22
TOM NOTT		CHECKED TN	DATE 23/09/22
		DRAWN CS	DATE 23/09/22
DATE 22-SEPT-2023		SCALE AS SHOWN	NEGATIVE No.
FILE No.	PROJECT No.	REG.	DRAWING No.
	26239	2	02

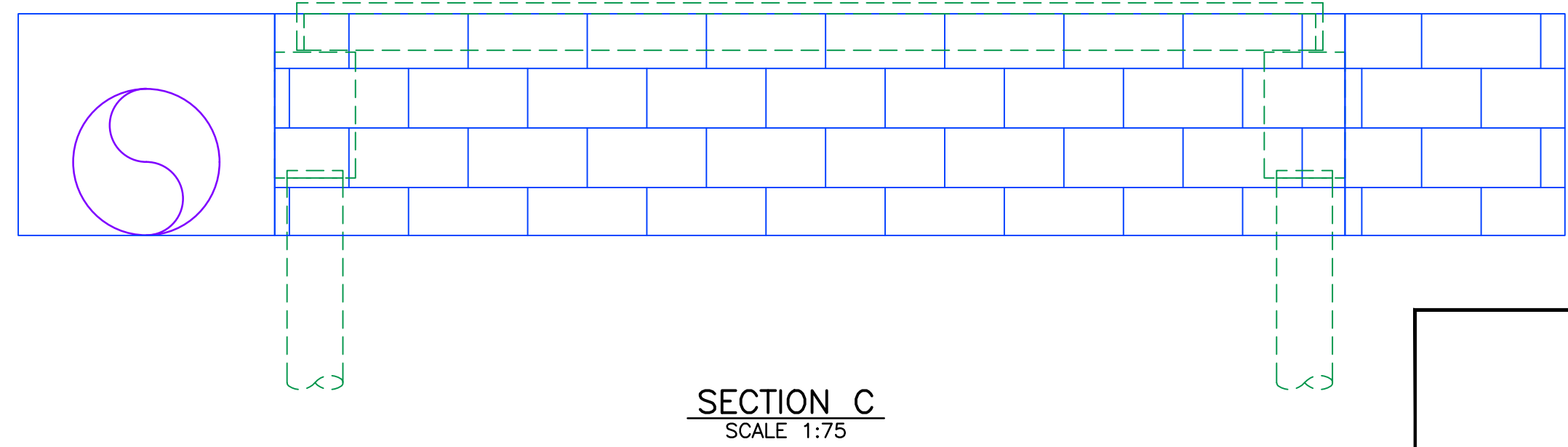
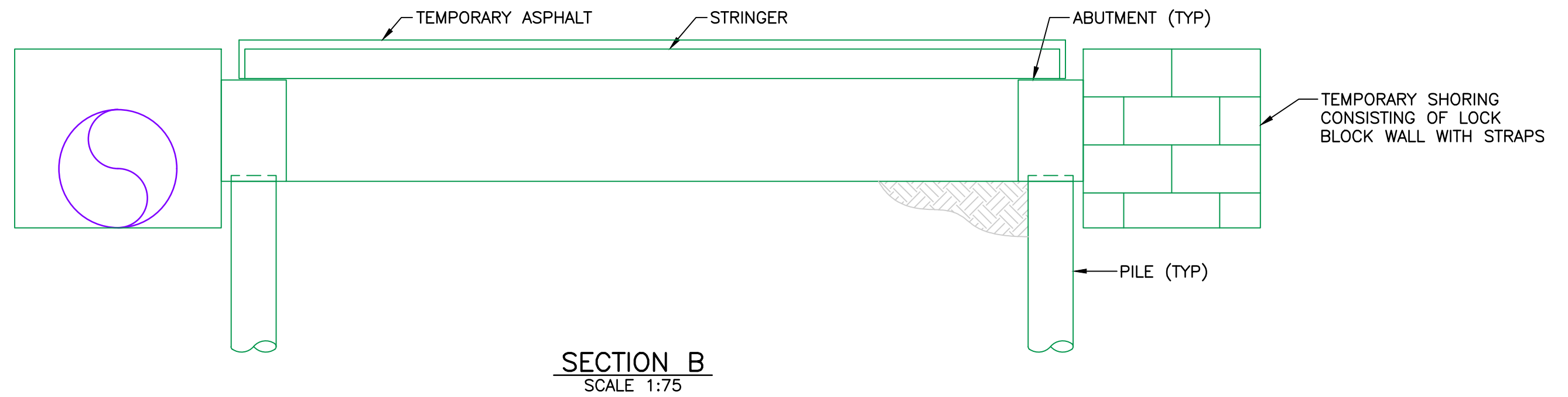


SECTION A
SCALE 1:50

- SUGGESTED STAGING PROCEDURE:**
- BACKFILL EAST SIDE OF SHORING EXCAVATION.
 - DIVERT BOTH LANES OF TRAFFIC ONTO EAST SIDE.
 - EXTEND EXCAVATION AND CONSTRUCT CREEK ON WEST SIDE OF CREEK UNDER STRUCTURE. NOTE THAT FINAL EXCAVATION AND CREEK CONSTRUCTION CLOSE TO THE SHORING WILL NEED TO BE COMPLETED AS PART OF NEXT CONSTRUCTION PHASE.
 - CONSTRUCT WEST SIDE OF BRIDGE, INCLUDING FOUNDATIONS, ABUTMENT CAP, STRINGER ERECTION, SIDEWALK AND PLACEMENT OF 50MM ASPHALT TOPPING OVER BARE STRINGERS.
 - INSTALL SANITARY SEWER PIPE HANGER ASSEMBLY AND PIPE.
 - INSTALL ENTIRE LENGTH OF GRAVITY SANITARY SEWER AND SERVICES TO ENSURE ZERO INTERRUPTIONS TO THE SYSTEM PRIOR TO OPENING THE FULL STREAM CHANNEL AND SEVERING THE EXISTING SEWER LINE.
 - INSTALL TEMPORARY SHORING AND TEMPORARY SHORING COLLAR AROUND CULVERT ADJACENT TO PILE CAP TO RETAIN ROAD FILLS DURING NEXT STAGE OF CONSTRUCTION.



PLAN
SCALE 1:100



PRELIMINARY
NOT ISSUED FOR CONSTRUCTION

wsp

Rev	Date	Description	Init
-	-	-	-
-	-	-	-
-	-	-	-
-	-	-	-
-	-	-	-

REVISIONS

BRITISH COLUMBIA | Ministry of Transportation & Infrastructure
 Southern Interior Region

CARIBOO DISTRICT
HIGHWAY NO. 97
CACHE CREEK CULVERT REPLACEMENT
STAGE 2A - CREEK AND INTERIM BRIDGE CONSTRUCTION - WEST SIDE

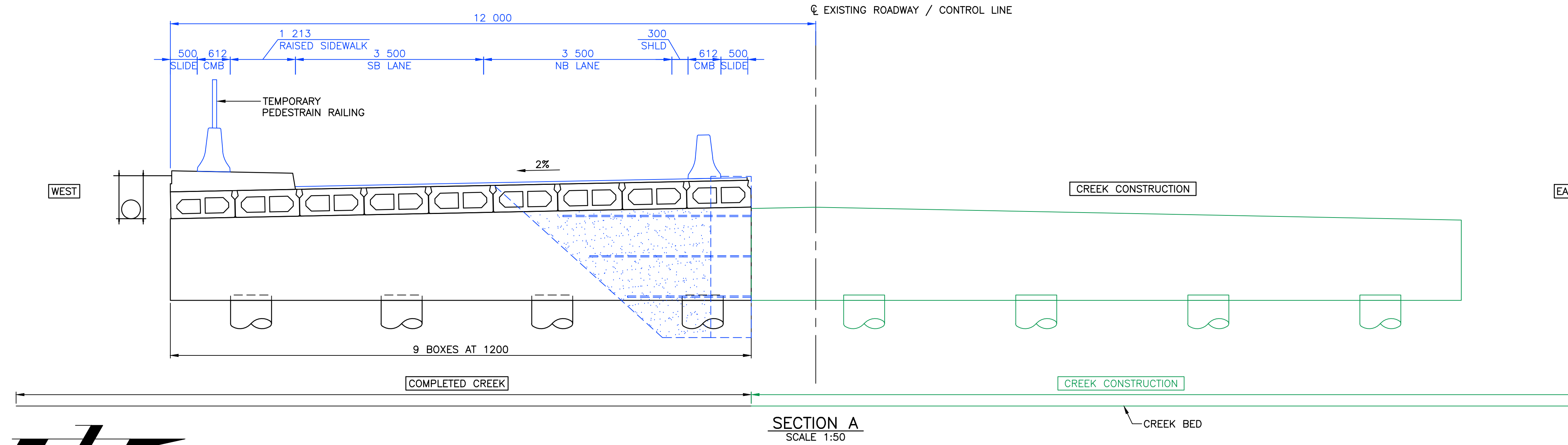
PREPARED UNDER THE DIRECTION OF
TOM NOTT

DESIGNED **CC** DATE **23/09/22**
 CHECKED **TN** DATE **23/09/22**
 DRAWN **CS** DATE **23/09/22**
 SCALE **AS SHOWN**
 NEGATIVE No.

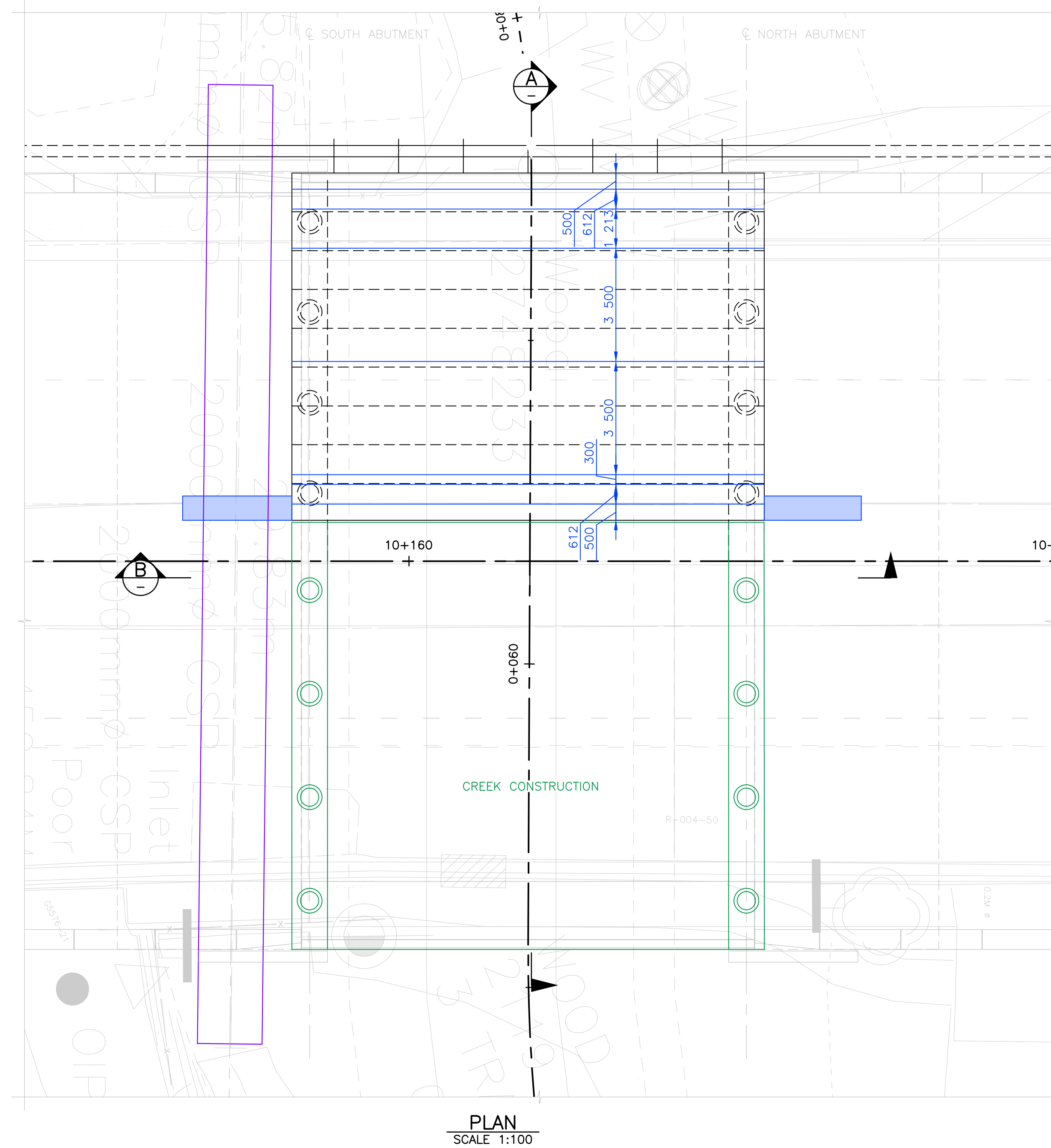
DATE 22-SEPT-2023	PROJECT No. 26239	REG. 2	DRAWING No. 03
--------------------------	--------------------------	---------------	-----------------------

SUGGESTED STAGING PROCEDURE:

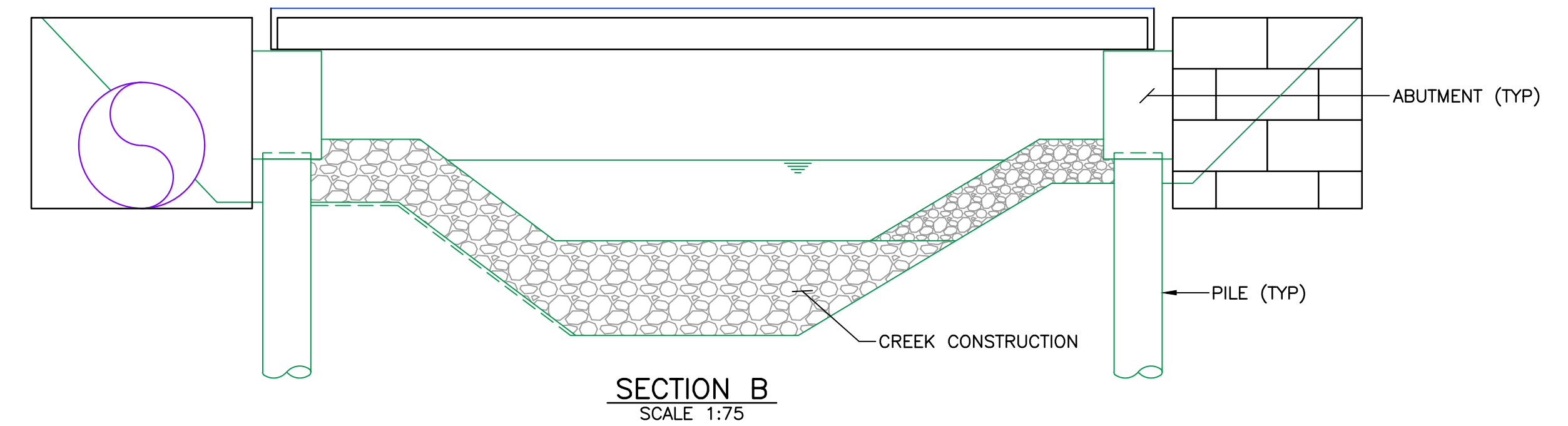
10. BACKFILL ROAD APPROACHES ON WEST SIDE AND INSTALL TEMPORARY CMBS.
11. MOVE BOTH LANES OF TRAFFIC ONTO NEWLY CONSTRUCTED WEST SIDE OF STRUCTURE.
12. REMOVE TEMPORARY SHORING AND TEMPORARY SHORING COLLAR FROM UNDER EAST SIDE.
13. IF SCHEDULE ALLOWS, INSTALL PILES AND PILE CAPS FOR EAST SIDE OF STRUCTURE, OTHERWISE, PROCEED TO STEP 14.
14. CONSTRUCT CREEK ON EAST SIDE AND COMPLETE WEST SIDE CREEK CONSTRUCTION.
15. CAP UPSTREAM END OF CULVERT.



SECTION A
SCALE 1:50



PLAN
SCALE 1:100



SECTION B
SCALE 1:75

PRELIMINARY
NOT ISSUED FOR CONSTRUCTION

wsp

Rev	Date	Description	Init
-	-	-	-
-	-	-	-
-	-	-	-
-	-	-	-
-	-	-	-

REVISIONS

BRITISH COLUMBIA

Ministry of Transportation
& Infrastructure
Southern Interior Region

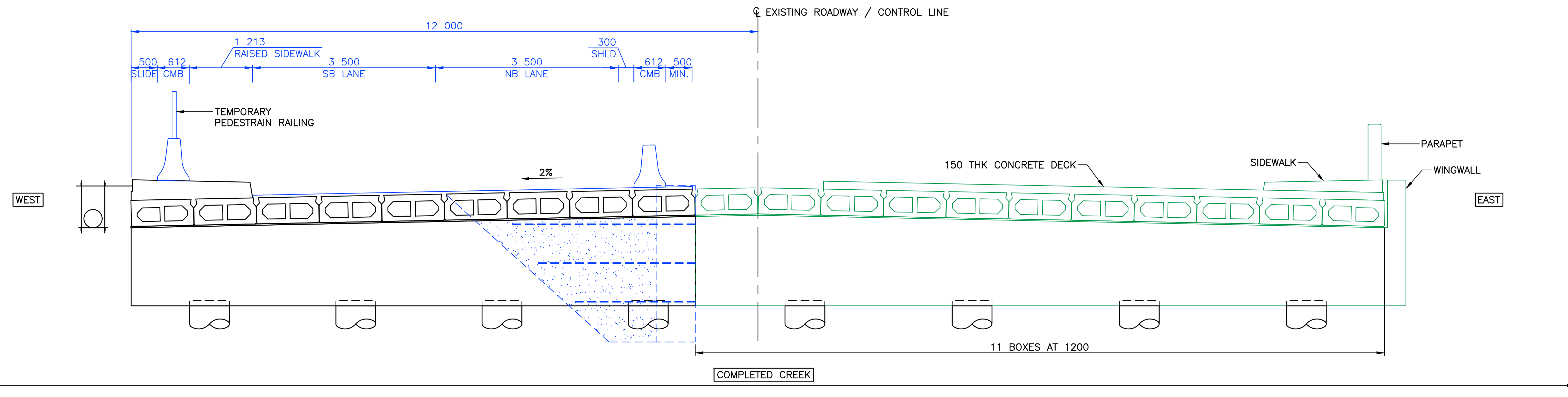
**CARIBOO DISTRICT
HIGHWAY NO. 97
CACHE CREEK CULVERT REPLACEMENT
STAGE 2B - CREEK CONSTRUCTION - EAST SIDE**

PREPARED UNDER THE DIRECTION OF		DESIGNED CC	DATE 23/09/22
TOM NOTT		CHECKED TN	DATE 23/09/22
		DRAWN CS	DATE 23/09/22
DATE 22-SEPT-2023		SCALE AS SHOWN	NEGATIVE No.
FILE No.	PROJECT No.	REG.	DRAWING No.
	26239	2	04

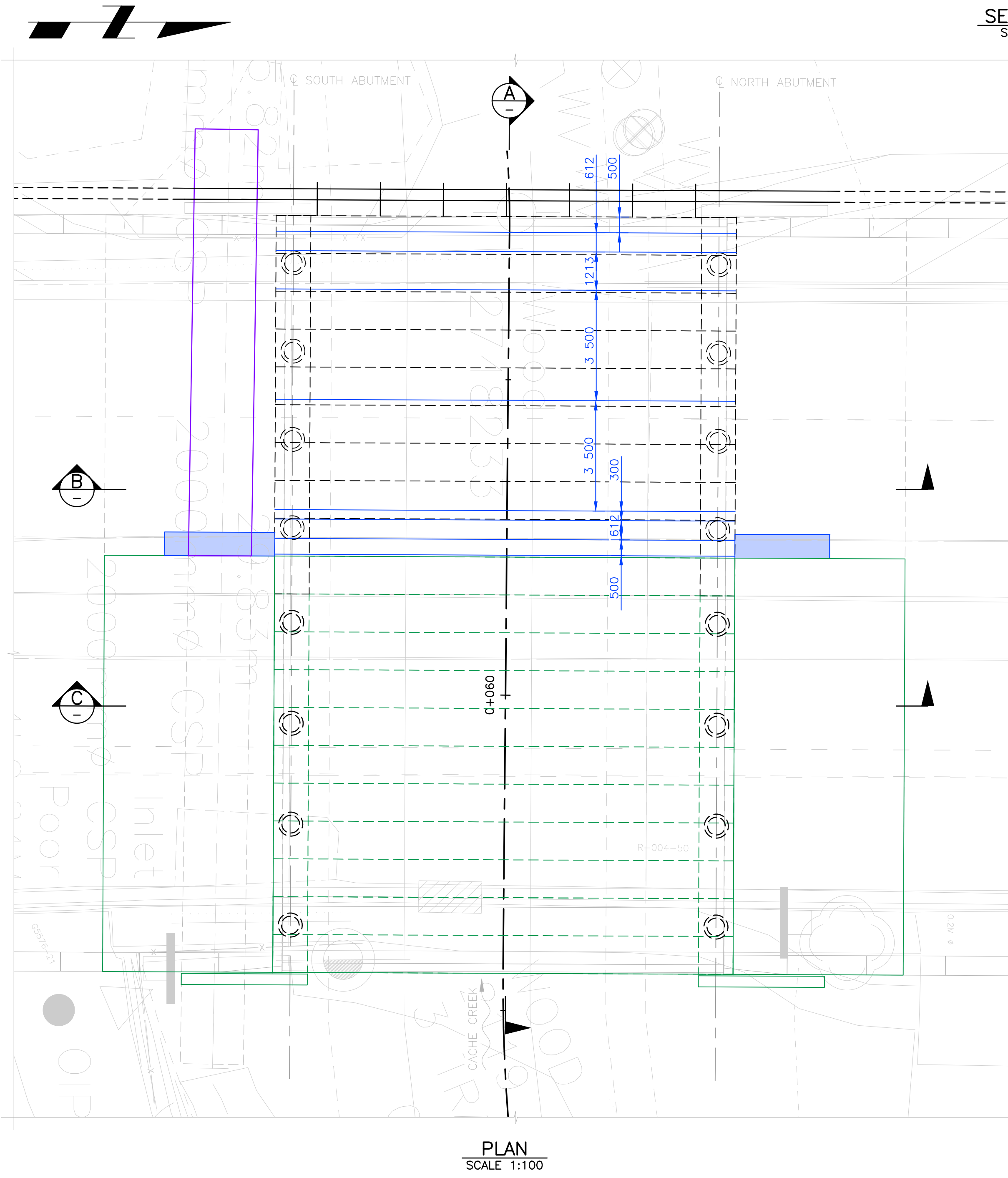
H-3081-11-e-07-08

SUGGESTED STAGING PROCEDURE:

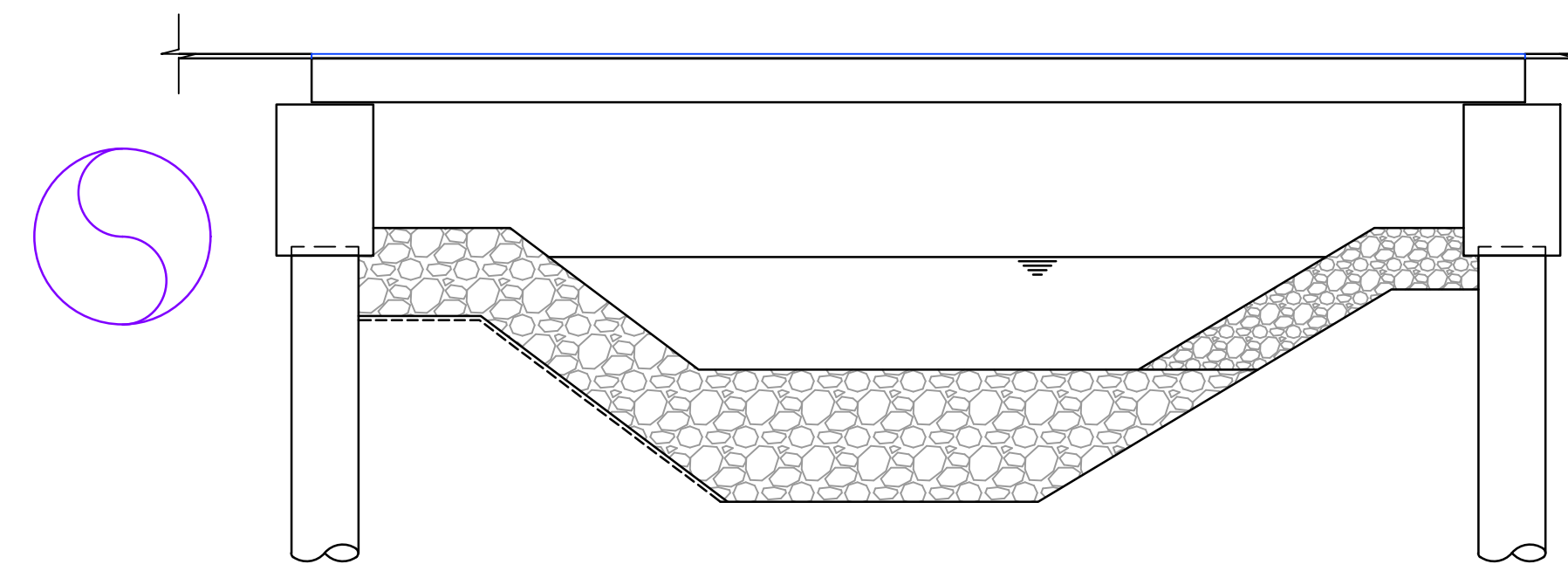
16. CUT AND REMOVE CULVERT FROM EAST SIDE.
17. COMPLETE BRIDGE CONSTRUCTION ON EAST SIDE INCLUDING PILES AND ABUTMENT CAPS IF NOT ALREADY INSTALLED, STRINGER ERECTION, DECK OVER NINE (9) EAST STRINGERS, SIDEWALK AND PARAPET.
18. INSTALL APPROACH SLABS (WIDTH OF 11 EAST STRINGERS) AND WING WALLS ON EAST SIDE.



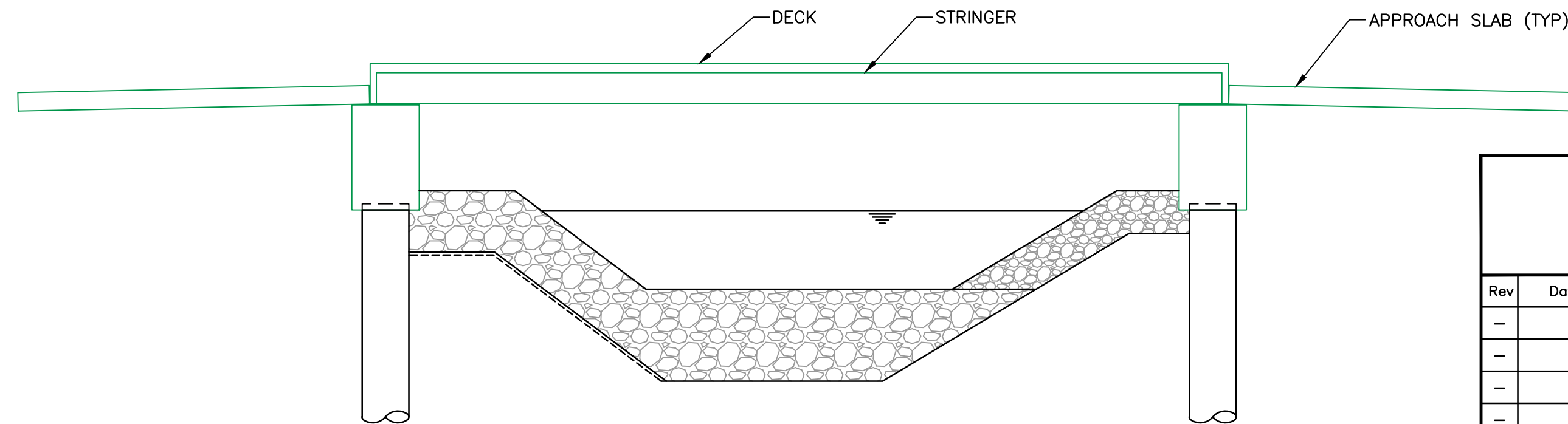
SECTION A
SCALE 1:50



PLAN
SCALE 1:100



SECTION B
SCALE 1:75



SECTION C
SCALE 1:75

PRELIMINARY
NOT ISSUED FOR CONSTRUCTION



Rev	Date	Description	Init
-	-	-	-
-	-	-	-
-	-	-	-
-	-	-	-
-	-	-	-

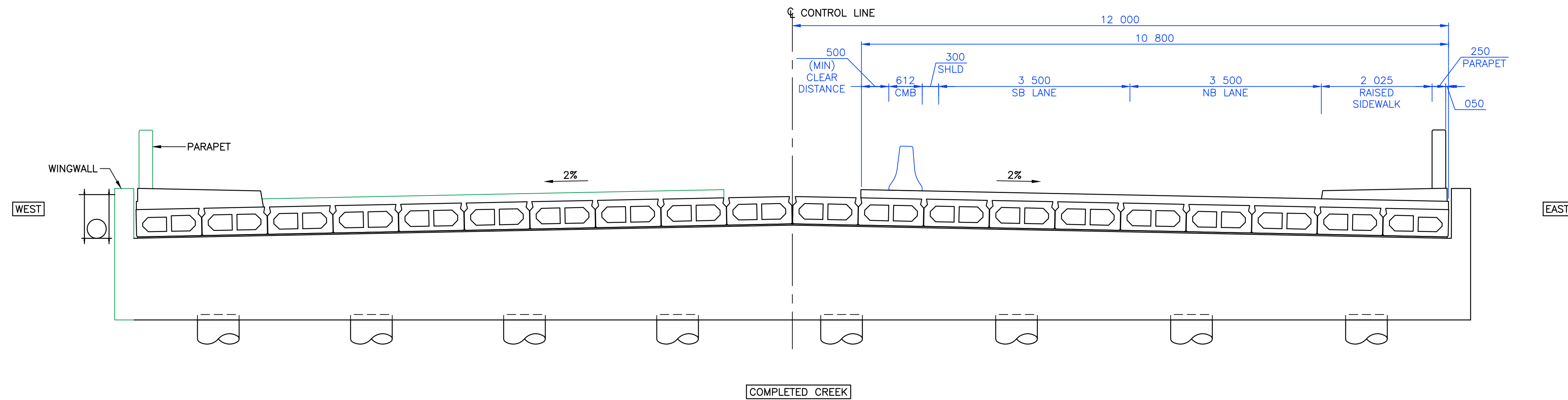
REVISIONS



Ministry of Transportation
& Infrastructure
Southern Interior Region

**CARIBOO DISTRICT
HIGHWAY NO. 97
CACHE CREEK CULVERT REPLACEMENT
STAGE 3A - BRIDGE CONSTRUCTION - EAST SIDE**

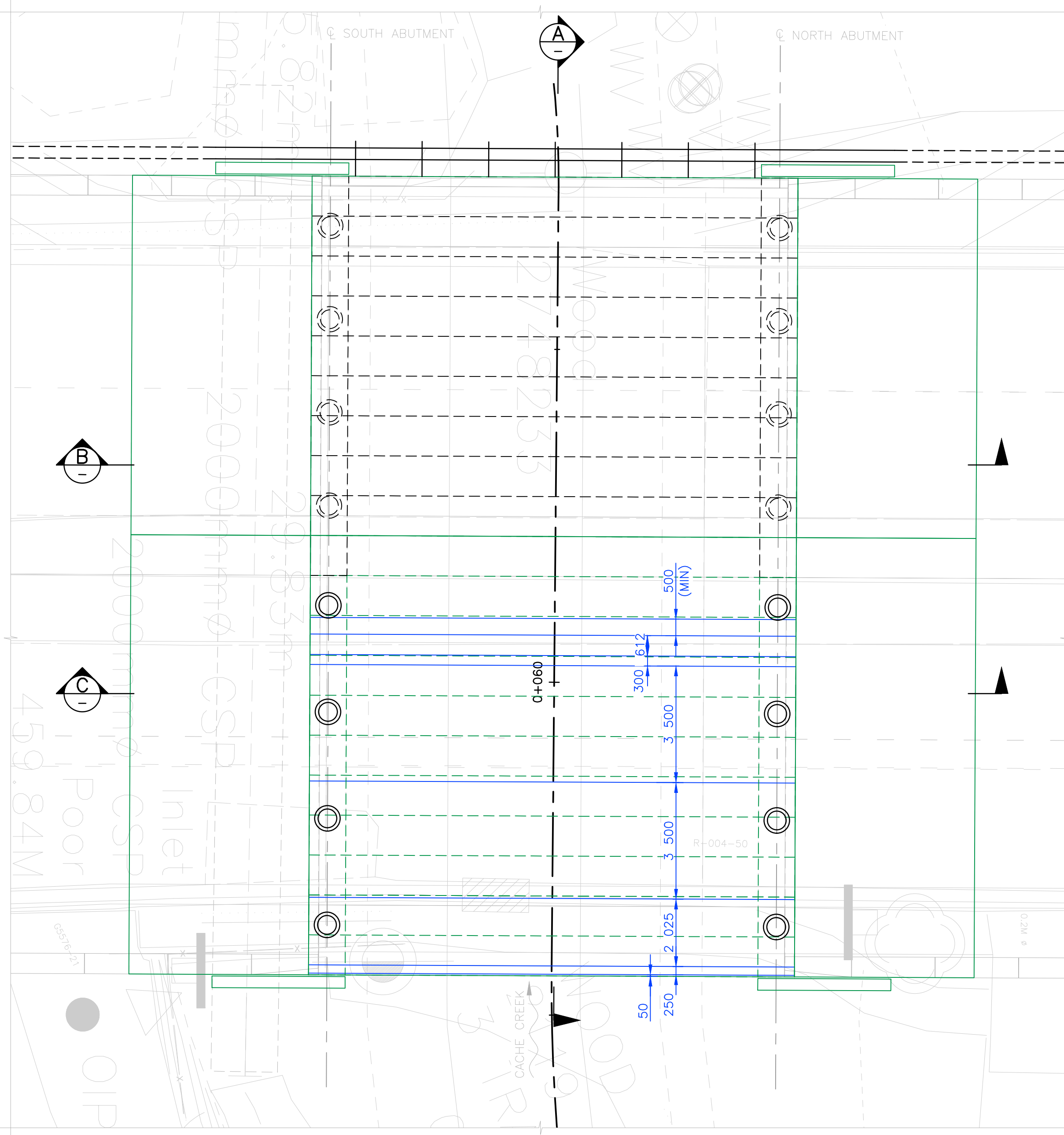
PREPARED UNDER THE DIRECTION OF		DESIGNED	CC	DATE	23/09/22
TOM NOTT		CHECKED	TN	DATE	23/09/22
		DRAWN	CS	DATE	23/09/22
		SCALE	AS SHOWN		
DATE	22-SEPT-2023	REG.	2	DRAWING No.	05
FILE No.	PROJECT No.				
	26239				



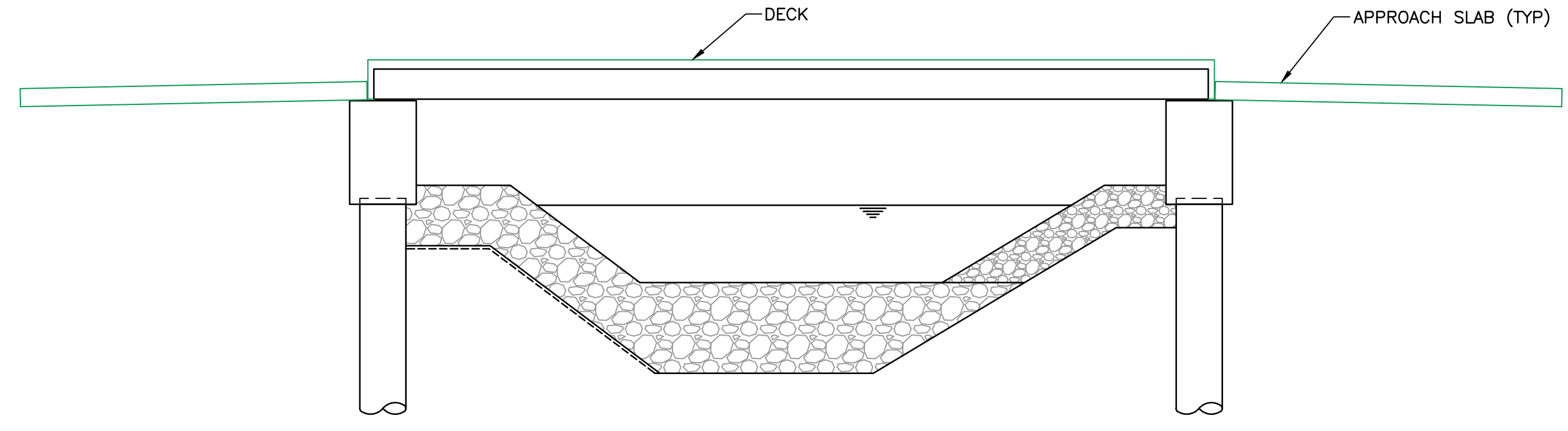
SECTION A
SCALE 1:50

SUGGESTED STAGING PROCEDURE:

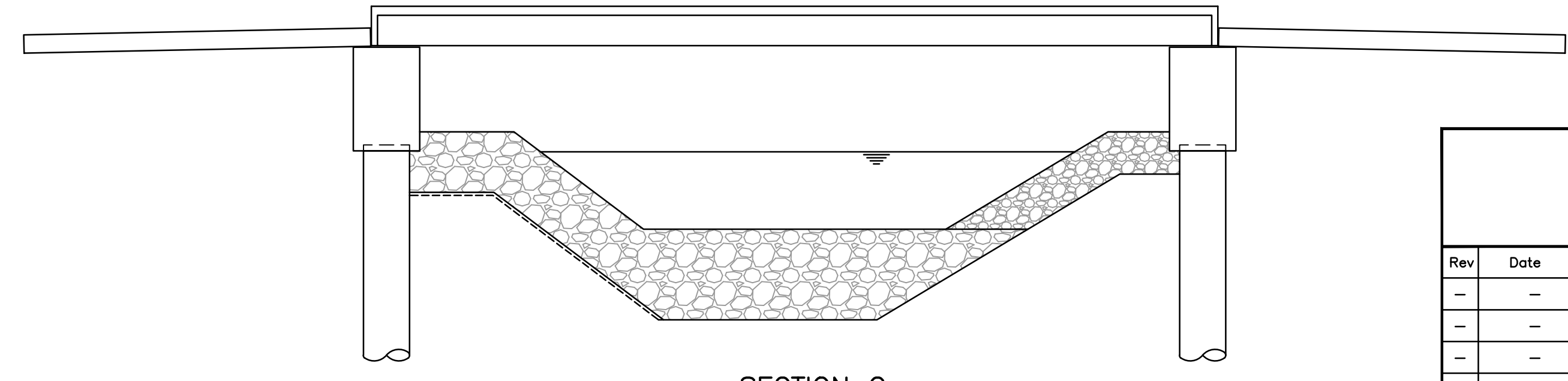
19. INSTALL CMBS AND MOVE TRAFFIC TO NEWLY CONSTRUCTED EAST SIDE OF STRUCTURE.
20. REMOVE TEMPORARY SHORING, TEMPORARY ASPHALT TOPPING, AND TEMPORARY CULVERT SHORING COLLAR FROM UNDER APPROACHES ON WEST SIDE.
21. REMOVE REMAINING CULVERT FROM WEST SIDE.
22. COMPLETE BRIDGE CONSTRUCTION ON WEST SIDE INCLUDING DECK, PARAPET, APPROACH SLABS AND WINGWALLS.



PLAN
SCALE 1:100



SECTION B
SCALE 1:75



SECTION C
SCALE 1:75

PRELIMINARY
NOT ISSUED FOR CONSTRUCTION



Rev	Date	Description	Init
-	-	-	-
-	-	-	-
-	-	-	-
-	-	-	-
-	-	-	-

REVISIONS

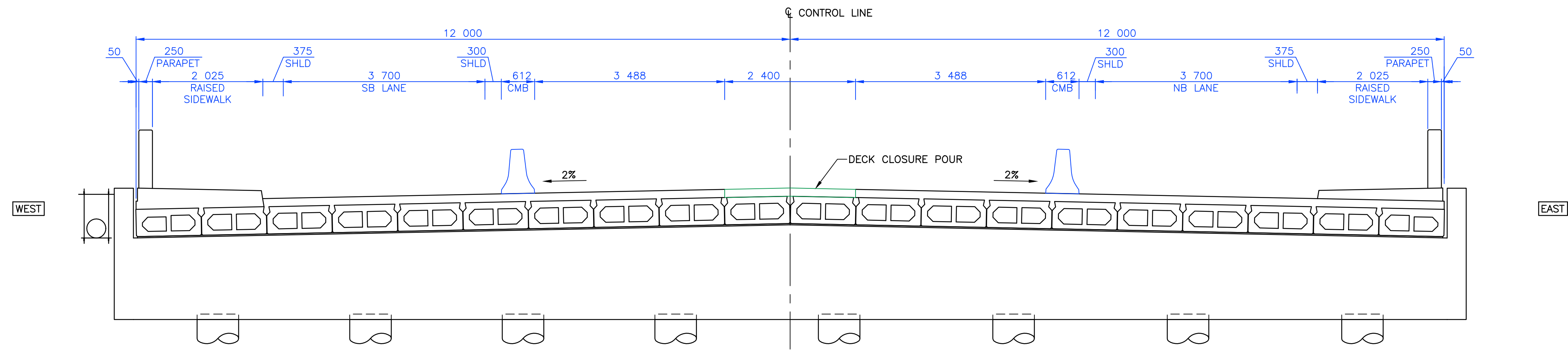
BRITISH COLUMBIA Ministry of Transportation & Infrastructure
Southern Interior Region

CARIBOO DISTRICT
HIGHWAY NO. 97
CACHE CREEK CULVERT REPLACEMENT
STAGE 3B – BRIDGE CONSTRUCTION – WEST SIDE

DESIGNED CC DATE 23/09/22	CHECKED TN DATE 23/09/22	DRAWN CS DATE 23/09/22	SCALE AS SHOWN
DATE 22-SEPT-2023		REG. 2	NEGATIVE No.
PREPARED UNDER THE DIRECTION OF TOM NOTT	FILE No.	PROJECT No. 26239	DRAWING No. 06

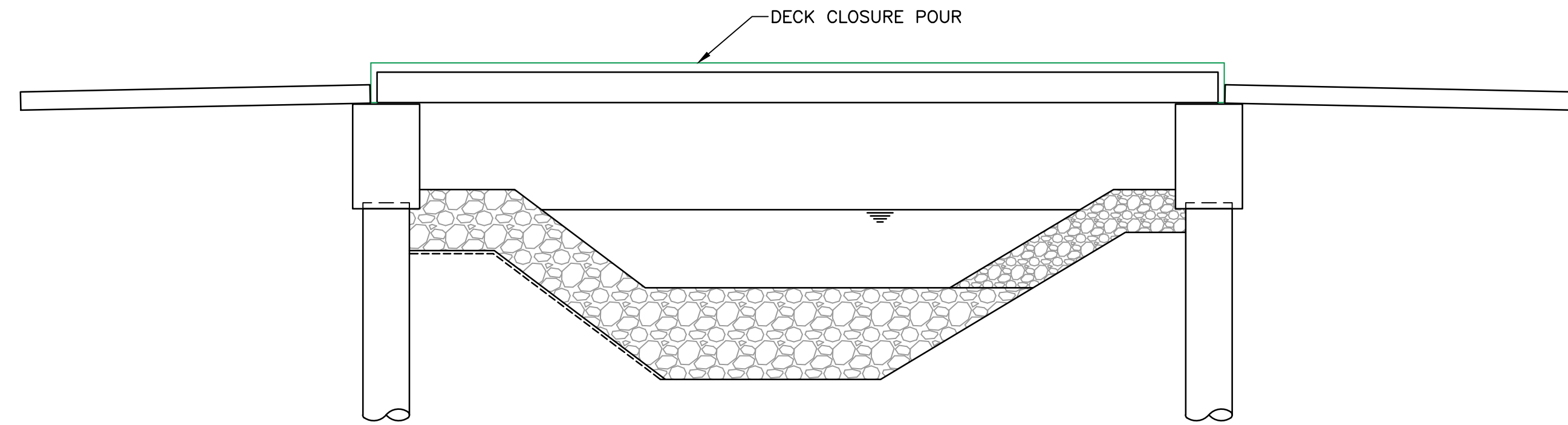
SUGGESTED STAGING PROCEDURE:

23. INSTALL CMBS AND MOVE TRAFFIC TO EITHER SIDE OF STRUCTURE.
24. COMPLETE CLOSURE POUR OF REMAINING DECK WIDTH.
25. RESTORE FOUR LANES OF TRAFFIC.

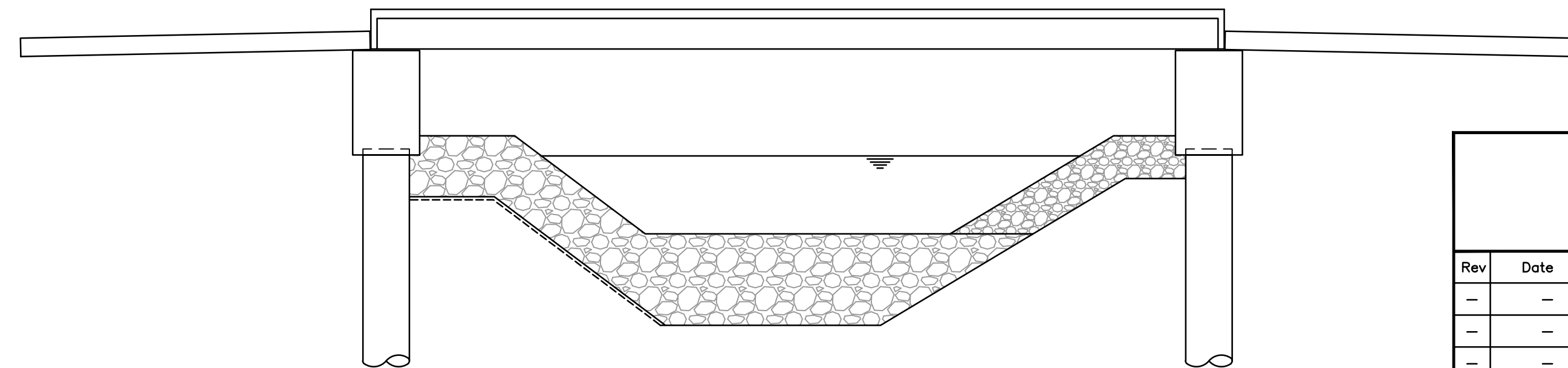


COMPLETED CREEK

SECTION A
SCALE 1:50

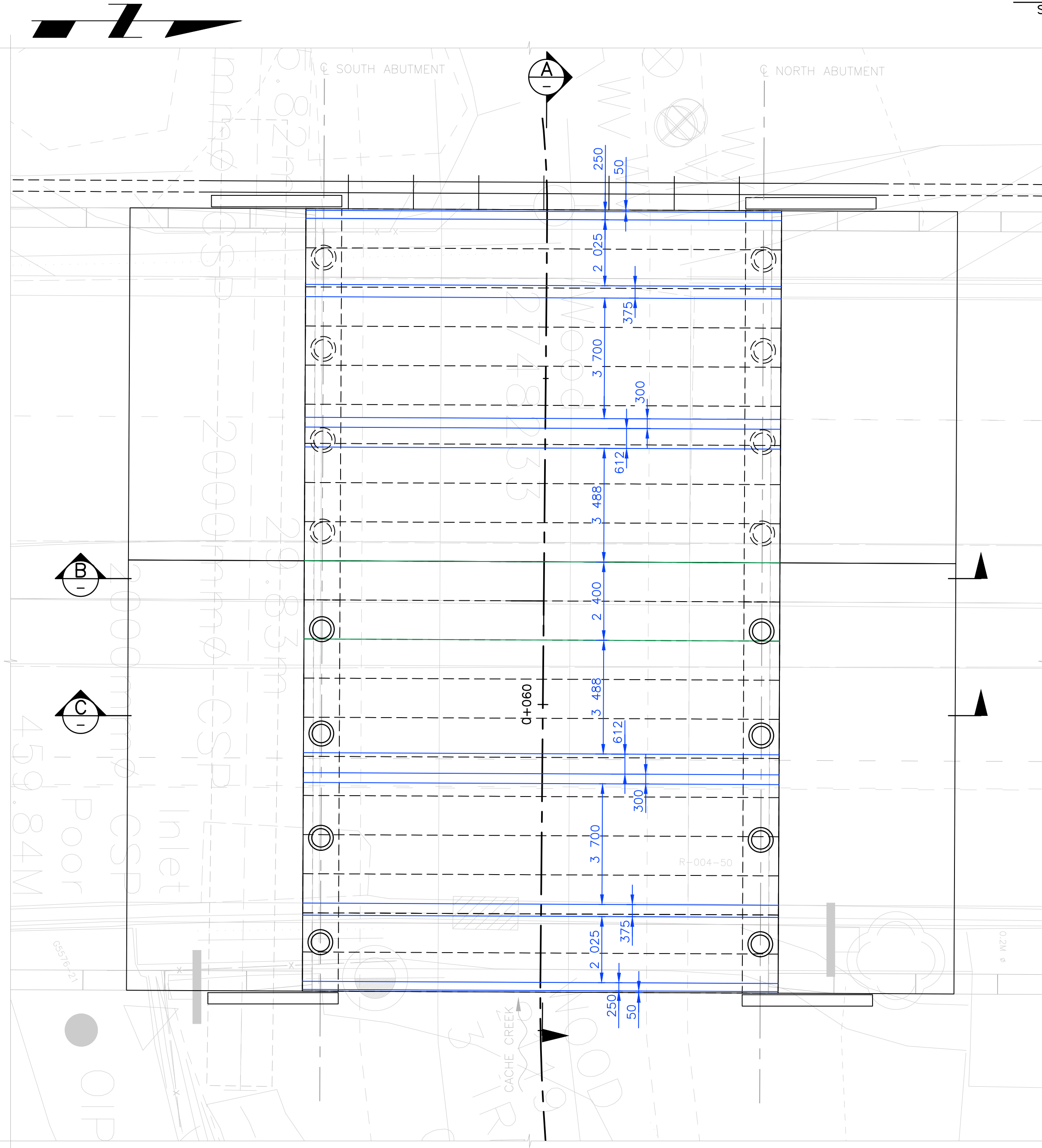


SECTION B
SCALE 1:75



SECTION C
SCALE 1:75

PRELIMINARY
NOT ISSUED FOR CONSTRUCTION



PLAN
SCALE 1:100

Rev	Date	Description	Init
-	-	-	-
-	-	-	-
-	-	-	-
-	-	-	-
-	-	-	-

REVISIONS

BRITISH COLUMBIA | Ministry of Transportation & Infrastructure
Southern Interior Region

**CARIBOO DISTRICT
HIGHWAY NO. 97
CACHE CREEK CULVERT REPLACEMENT
STAGE 3C - BRIDGE CONSTRUCTION - CLOSURE POUR**

DESIGNED CC DATE 23/09/22	CHECKED TN DATE 23/09/22
DRAWN CS DATE 23/09/22	SCALE AS SHOWN
DATE 22-SEPT-2023	NEGATIVE No.
FILE No.	PROJECT No. 26239
REG. 2	DRAWING No. 07