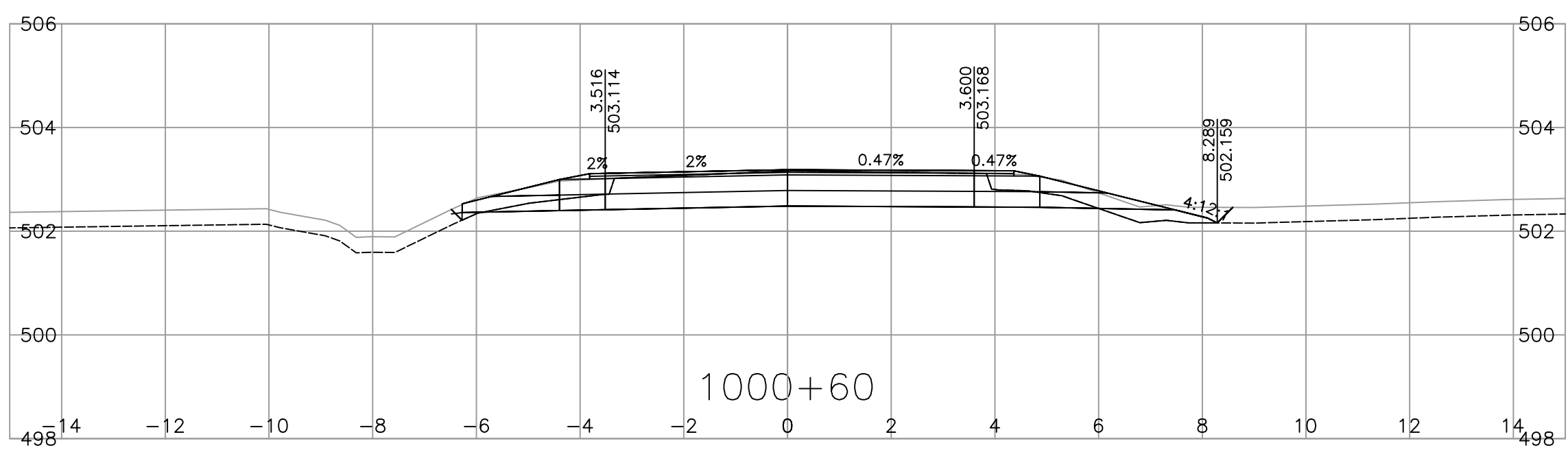
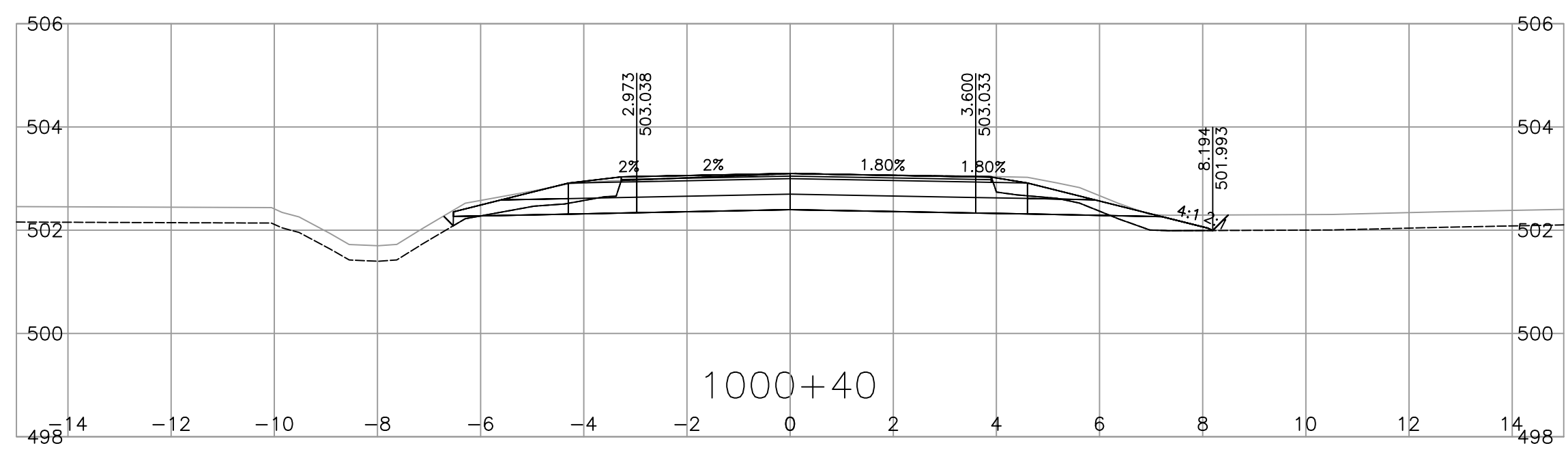
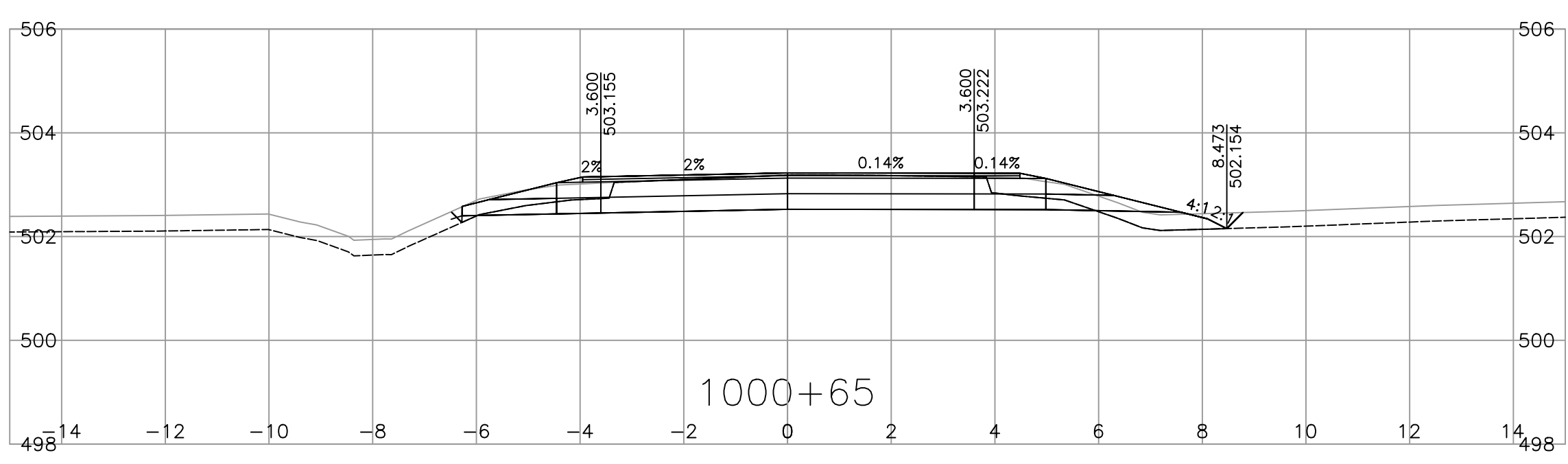
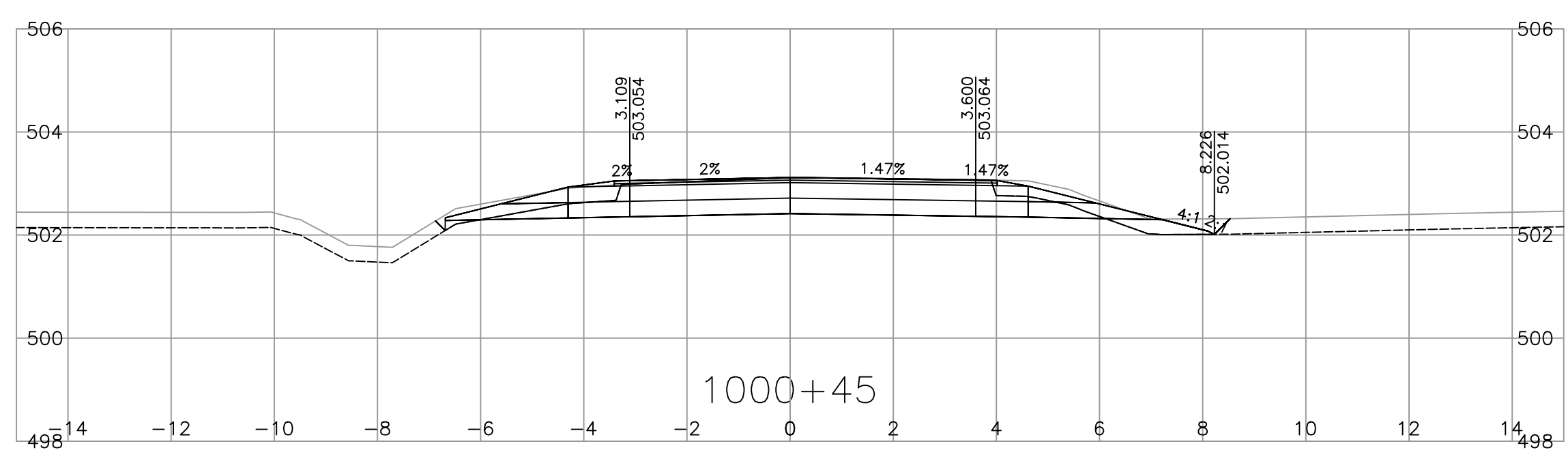
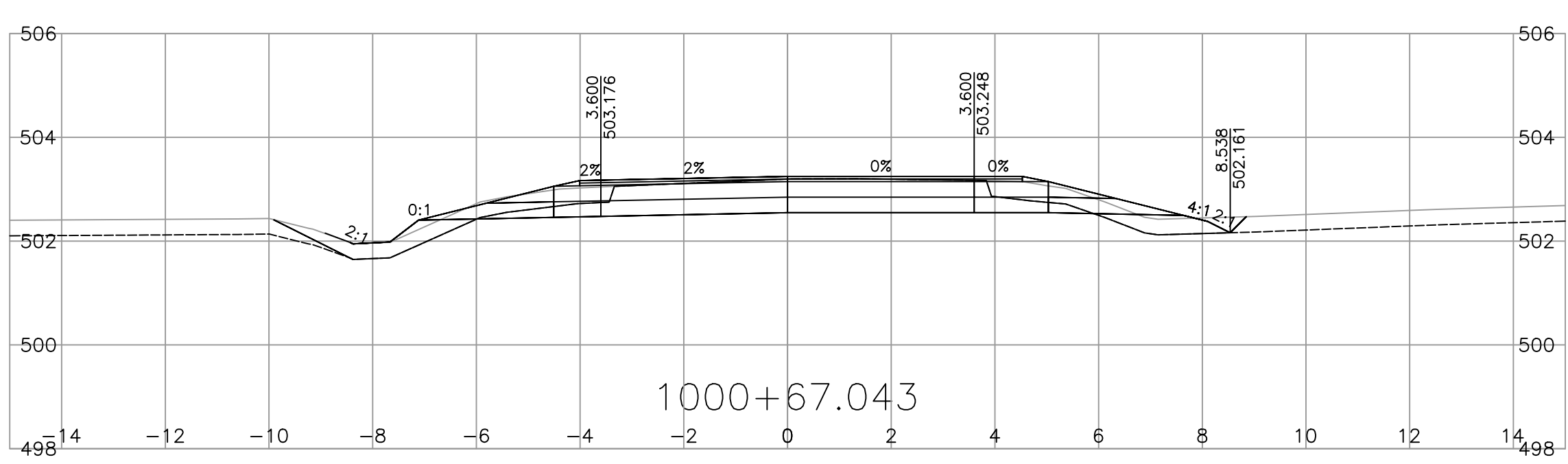
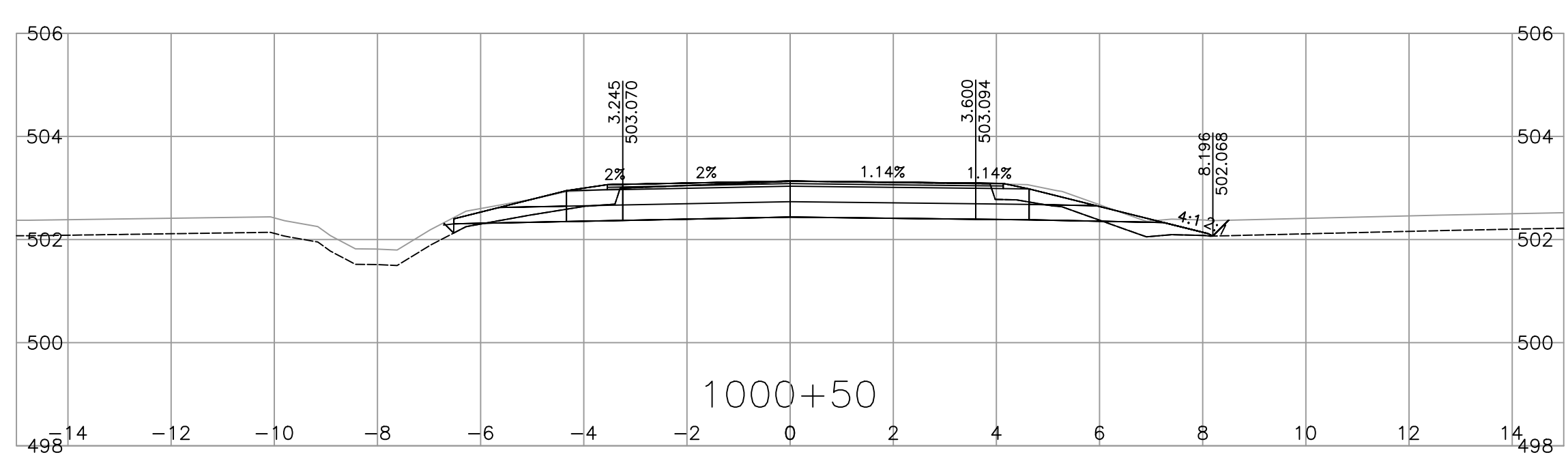
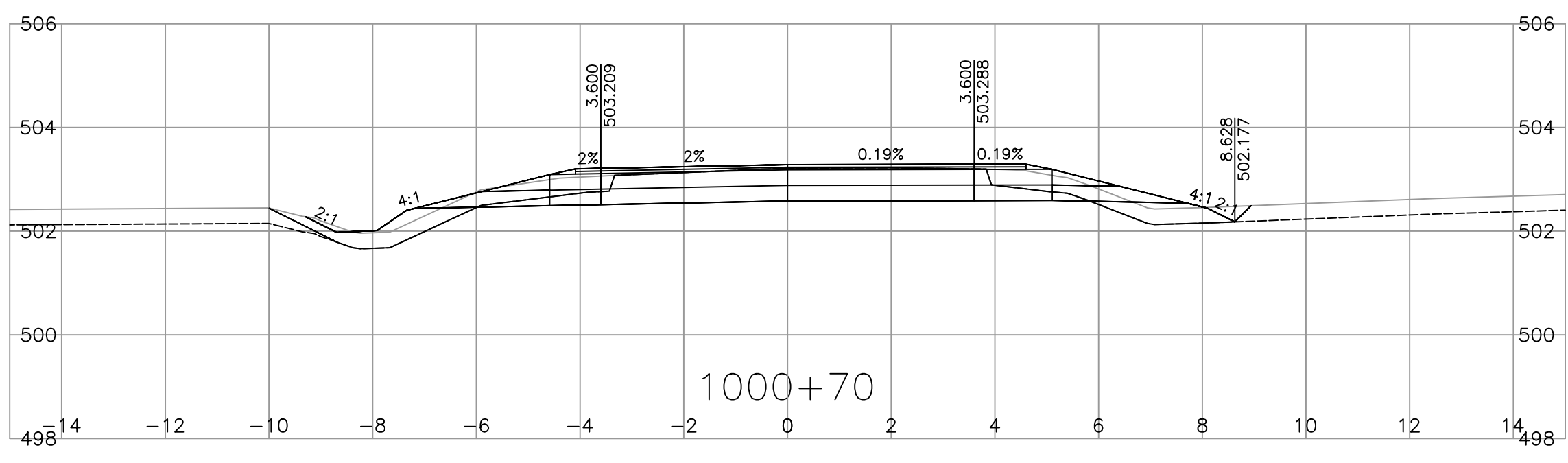
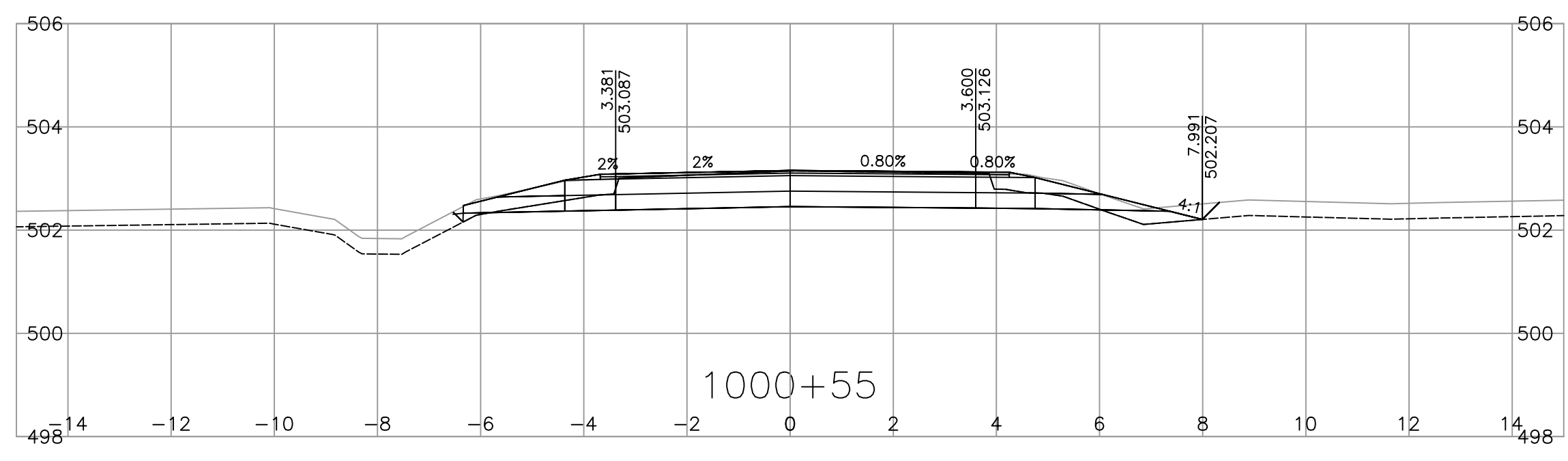


PLOT DATE: 2023/05/24 C:\p\working\civil3d\mns05075\1000_XSECT_DB_L100B.dwg



SCALE 0 1 1:100 5m

CAD FILENAME: 1000_XSECT_DB_L100B

PLOT DATE: _____

REV	DATE	REVISIONS	NAME

BRITISH COLUMBIA

MINISTRY OF TRANSPORTATION AND INFRASTRUCTURE
SOUTHERN INTERIOR REGION

DESIGNED: K. MANN DATE: 2023-03-07
 QUALITY CONTROL: R. STRUTHERS DATE: 2023-03-07
 QUALITY ASSURANCE: R. FOXTON DATE: 2023-03-07
 DRAWN: K. MANN DATE: 2023-03-07

ENGINEER OF RECORD: _____
DATE: _____

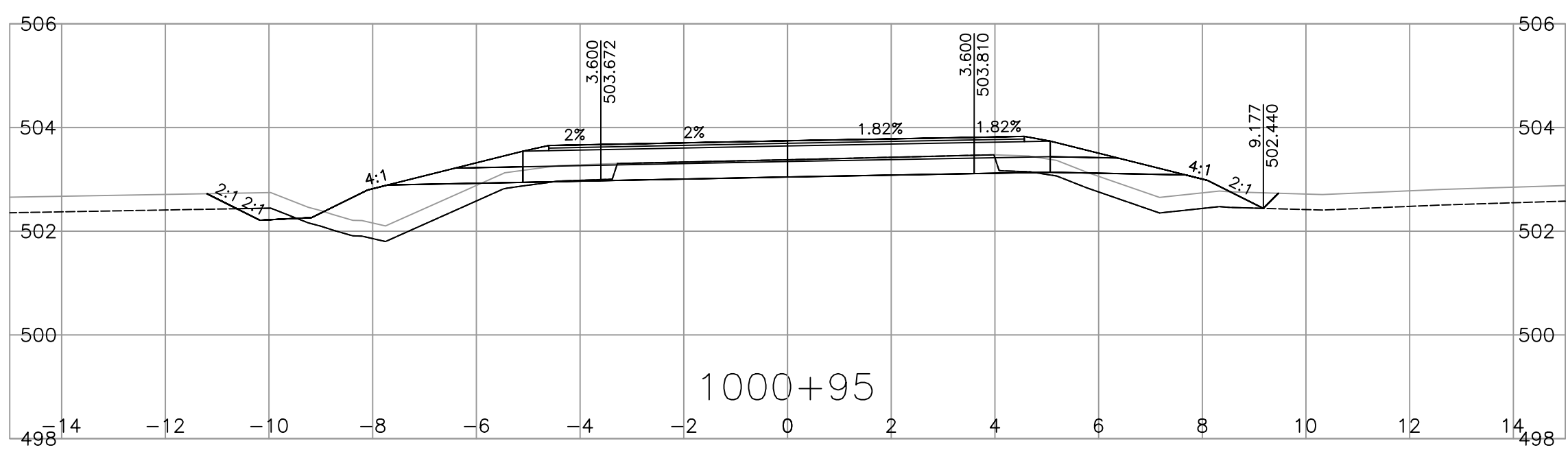
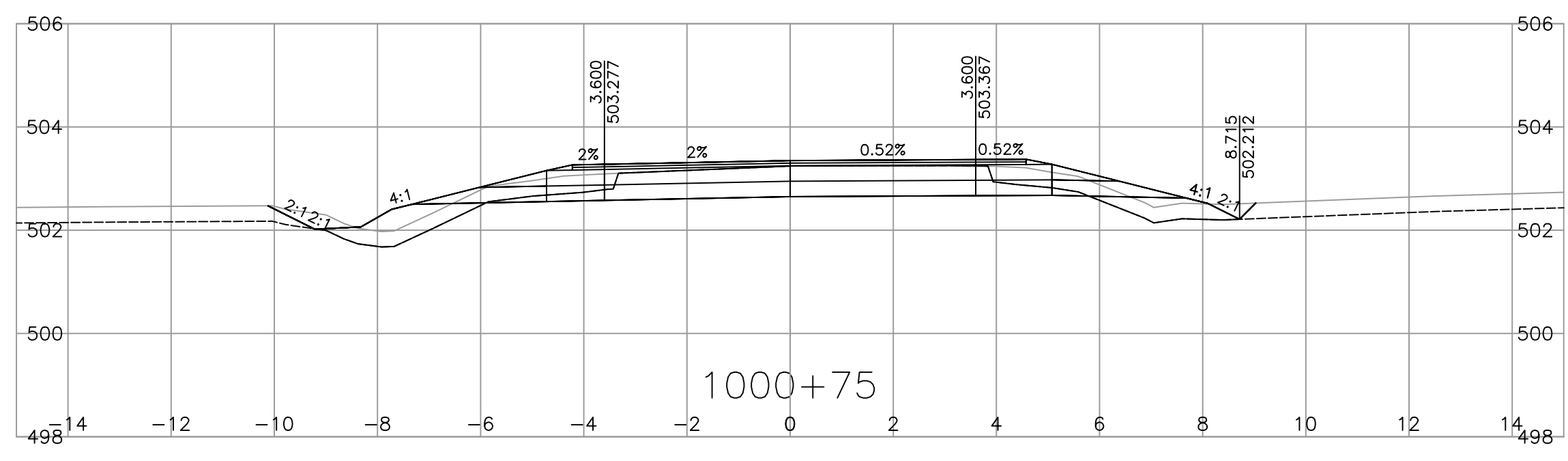
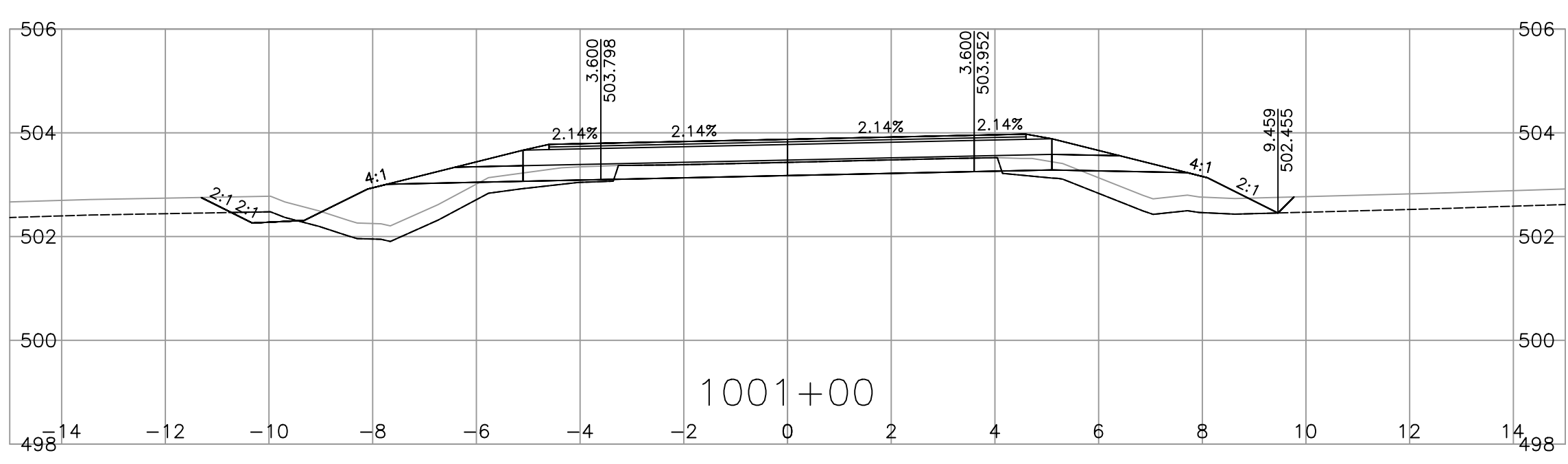
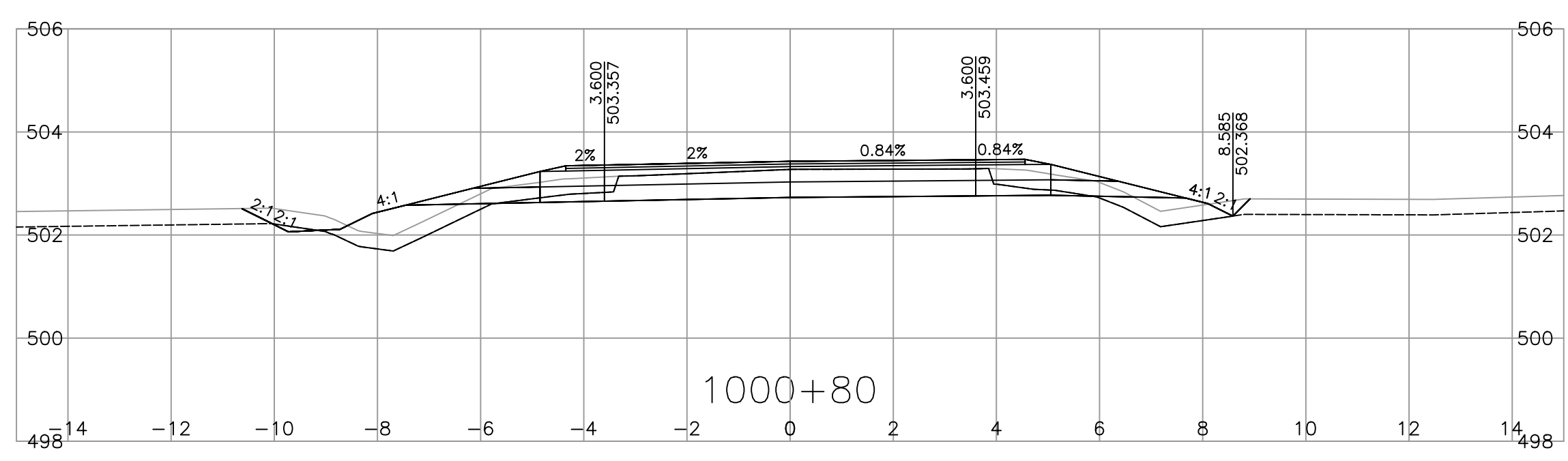
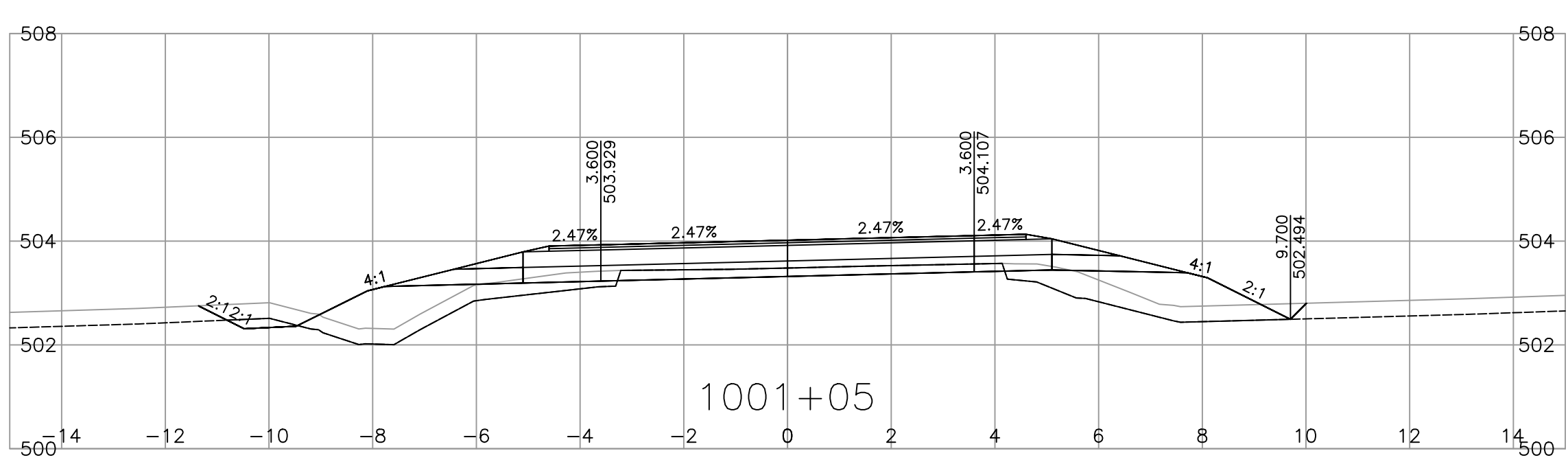
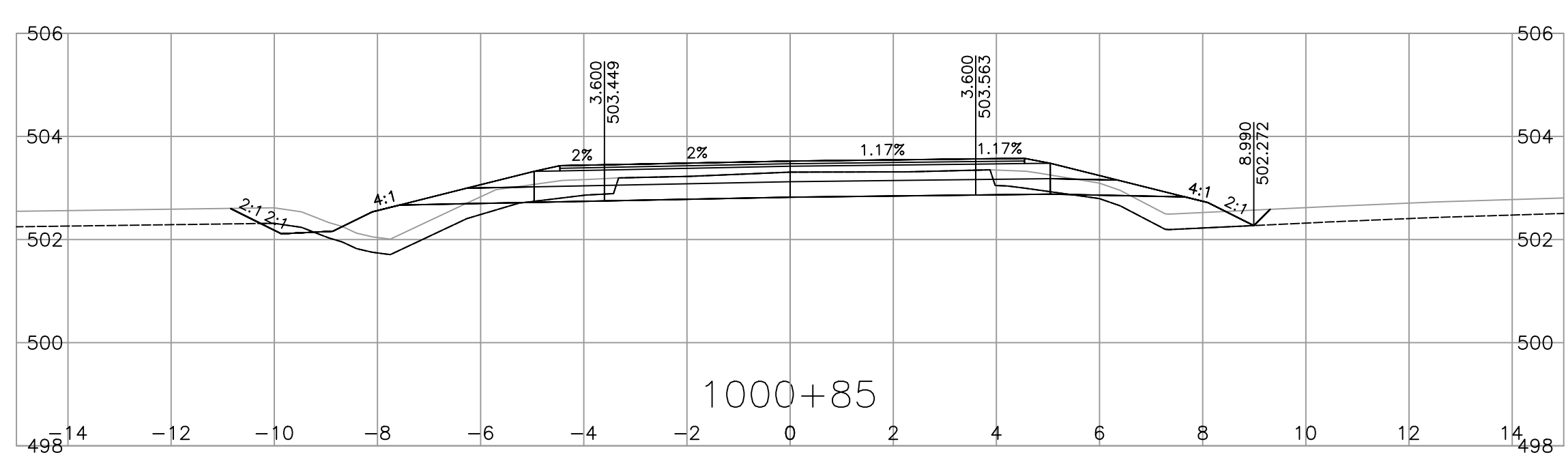
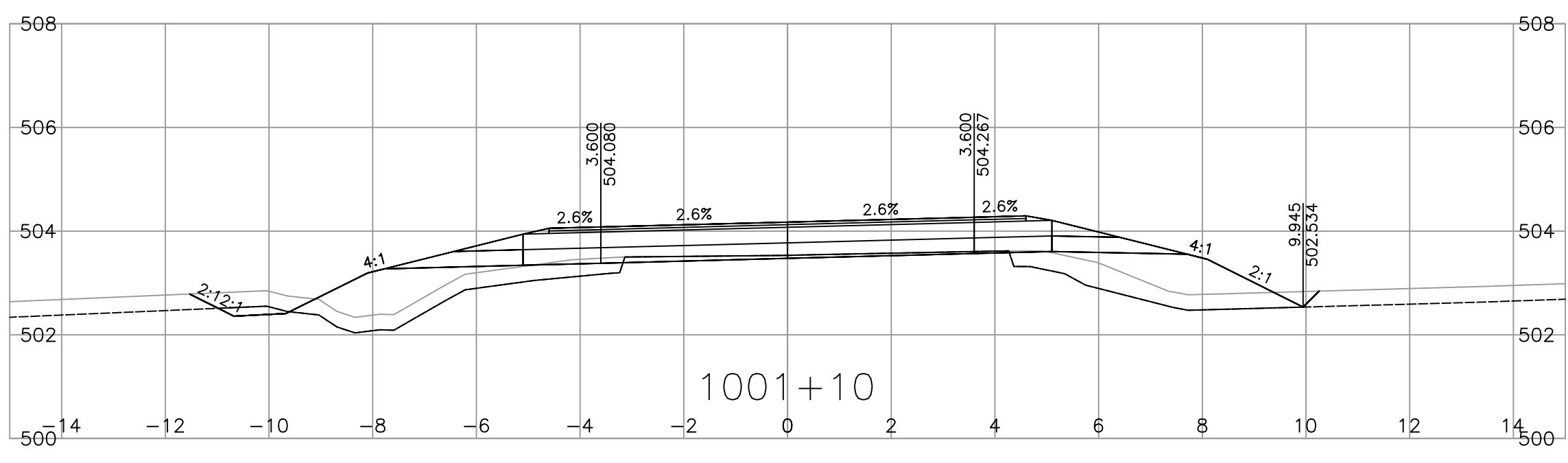
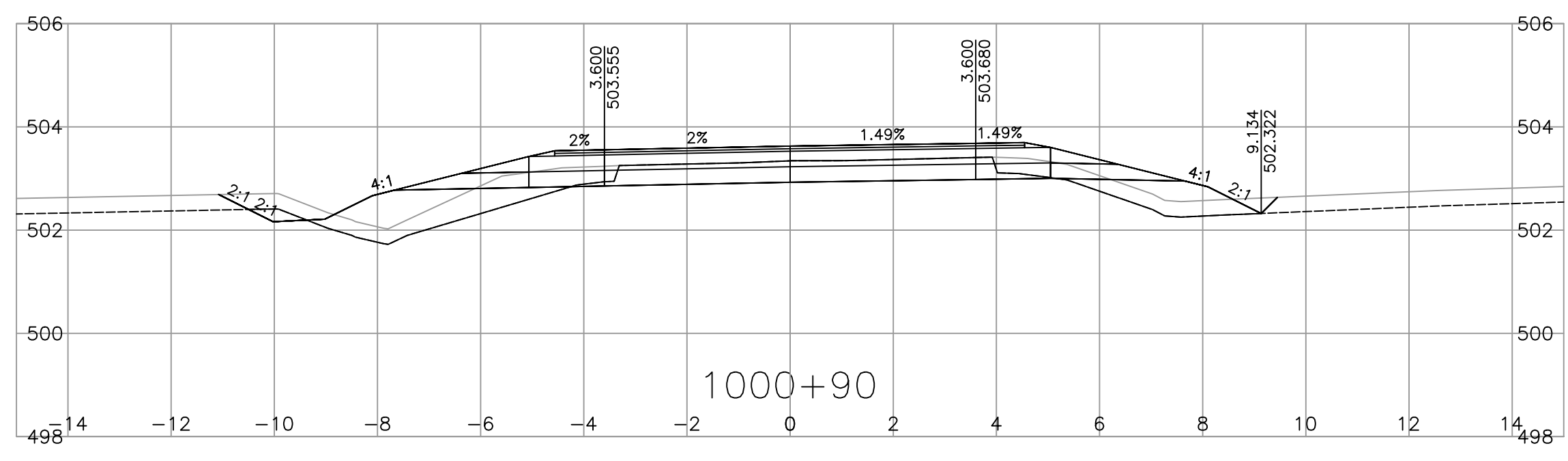
CROSS SECTIONS
DALY BRIDGE No. 06489 REPLACEMENT
CREIGHTON VALLEY ROAD
L100B

FILE NUMBER	PROJECT NUMBER	REG	DRAWING NUMBER	REV
	25311-0000	2	R2-1182-1001	

FOR REFERENCE ONLY



PLOT DATE: 2023/05/24 C:\p\working\civil3d\mns05075\1000_XSECT_DB_L100B.dwg



SCALE 0 1 1:100 5m

CAD FILENAME 1000_XSECT_DB_L100B

PLOT DATE

REV	DATE	REVISIONS	NAME

BRITISH COLUMBIA

MINISTRY OF TRANSPORTATION AND INFRASTRUCTURE

SOUTHERN INTERIOR REGION

DESIGNED K. MANN DATE 2023-03-07

QUALITY CONTROL R. STRUTHERS DATE 2023-03-07

QUALITY ASSURANCE R. FOXTON DATE 2023-03-07

DRAWN K. MANN DATE 2023-03-07

ENGINEER OF RECORD

DATE

CROSS SECTIONS

DALY BRIDGE No. 06489 REPLACEMENT

CREIGHTON VALLEY ROAD

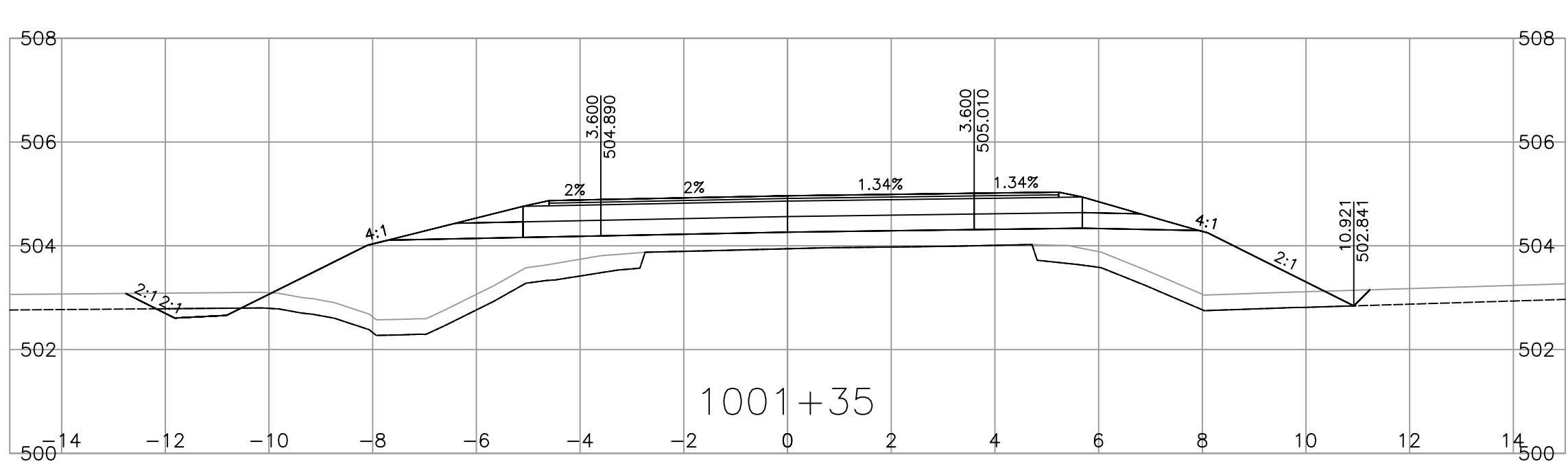
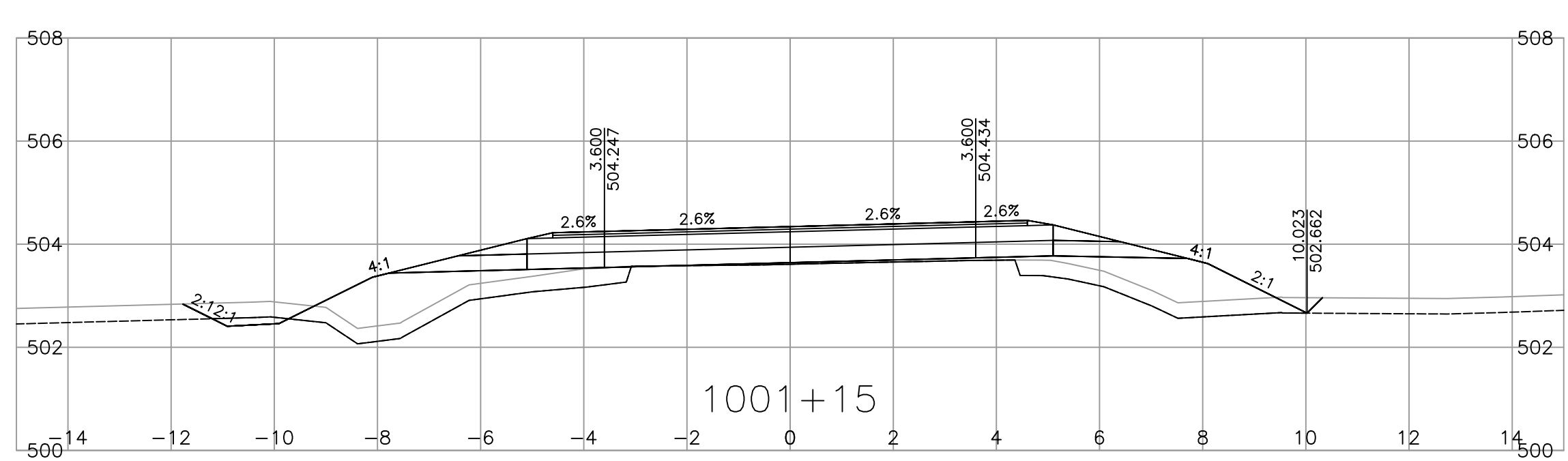
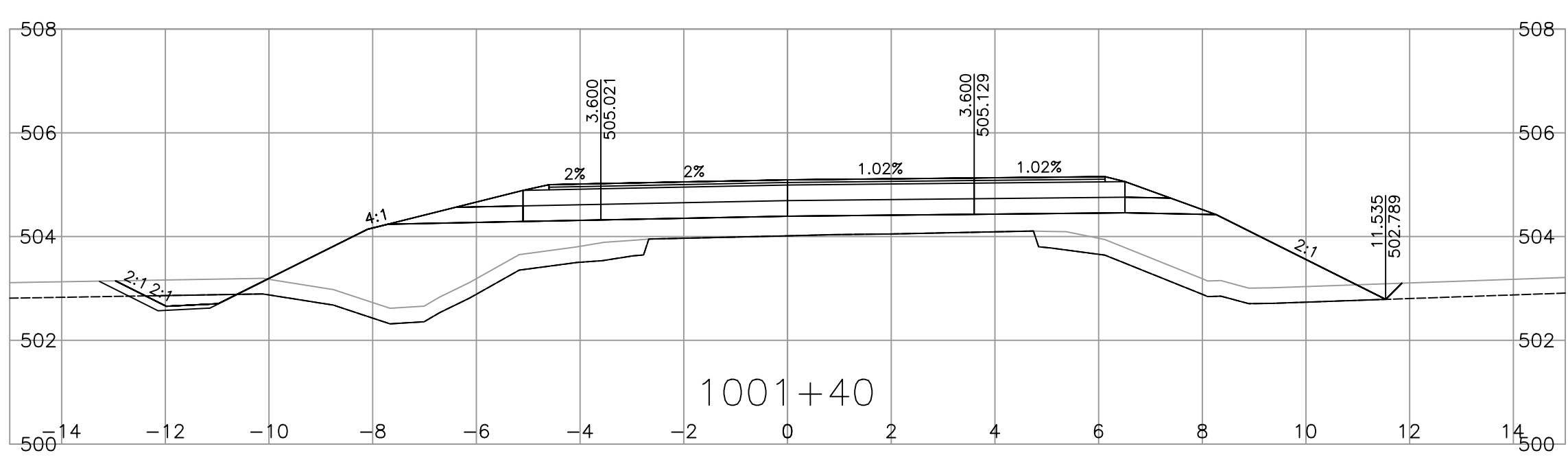
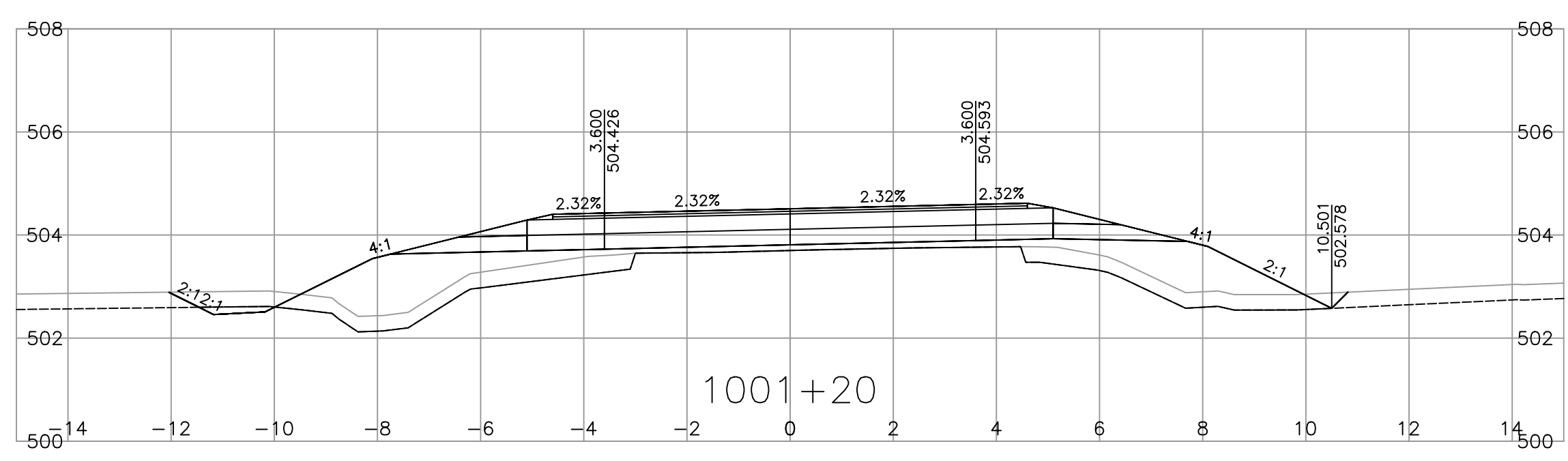
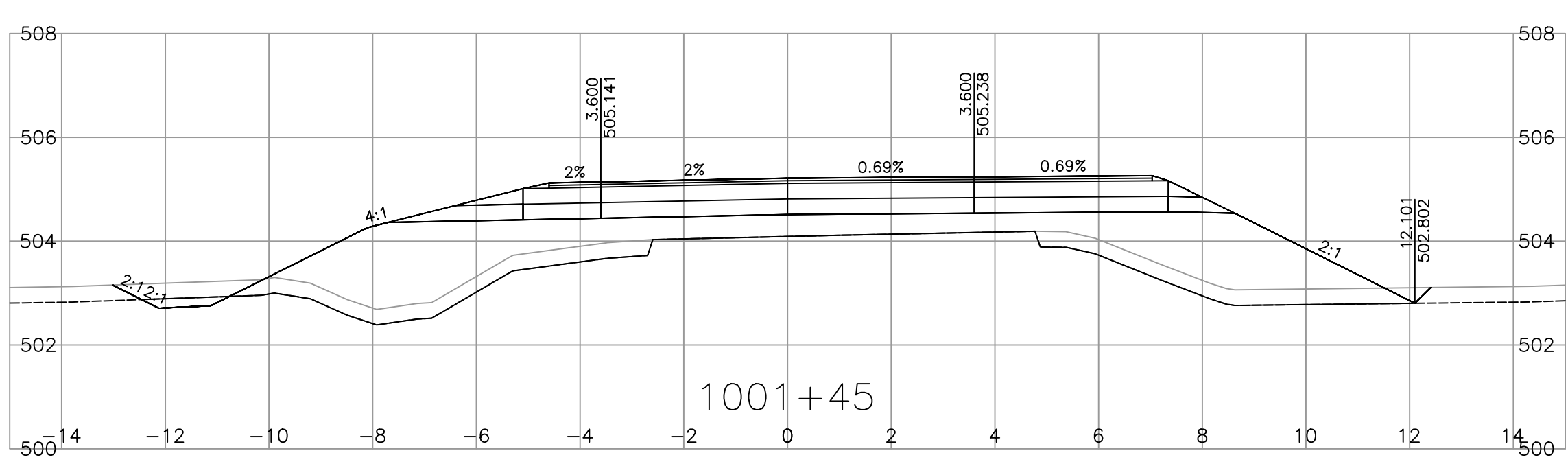
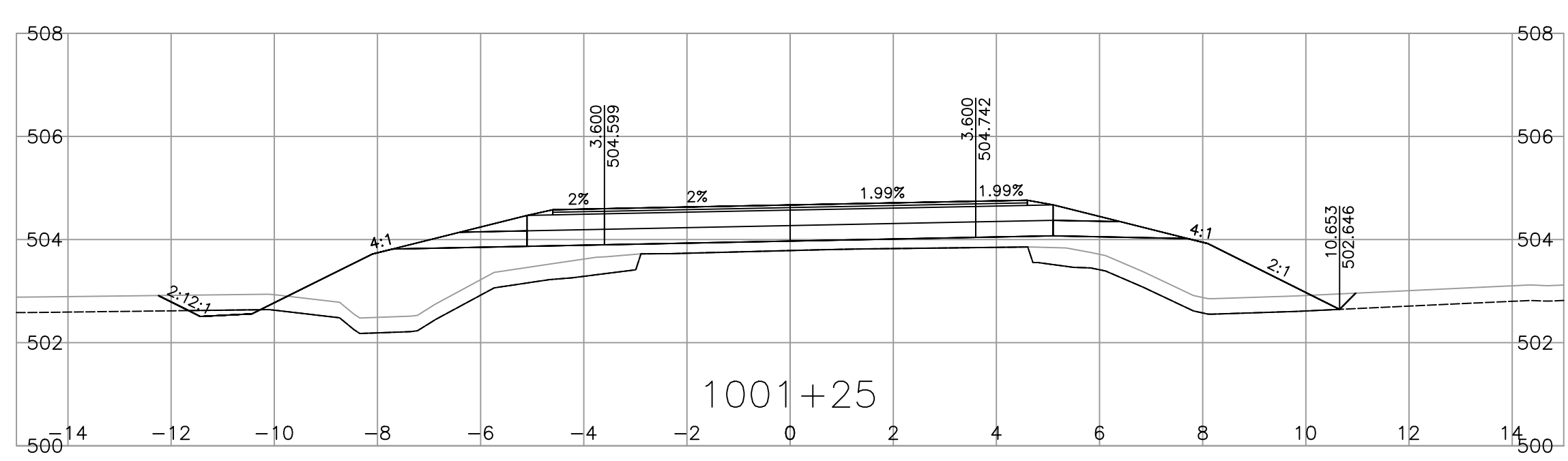
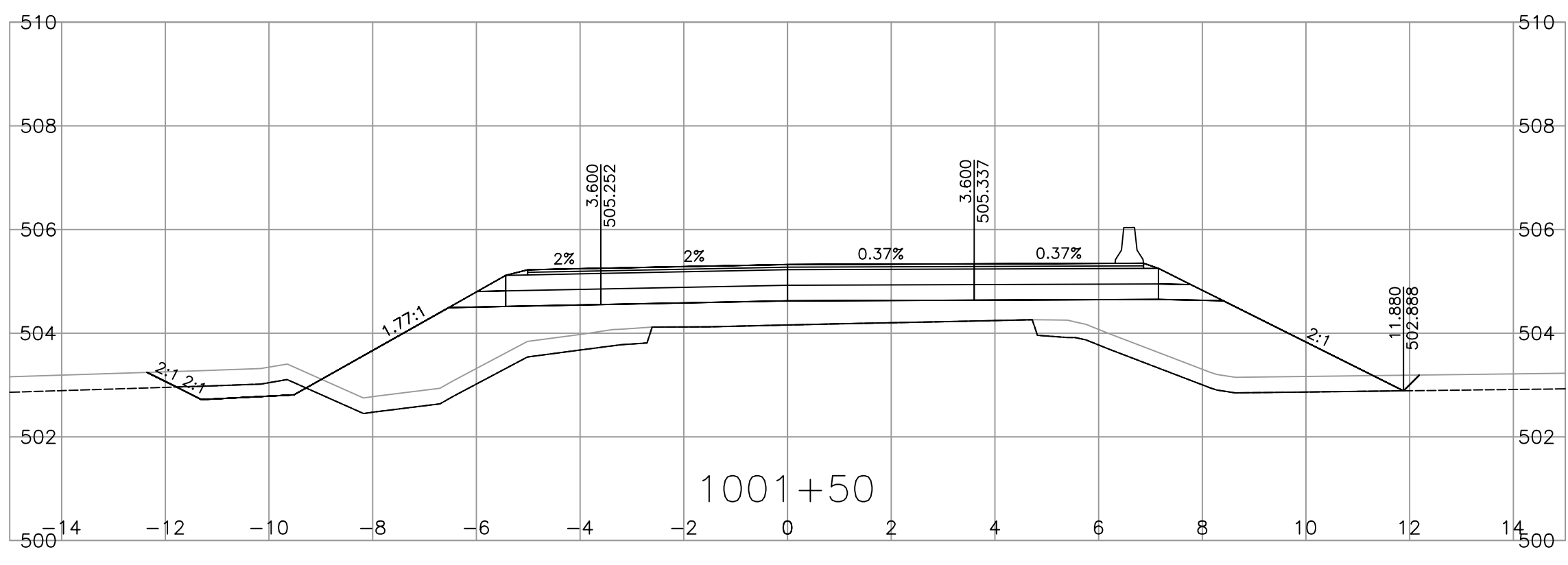
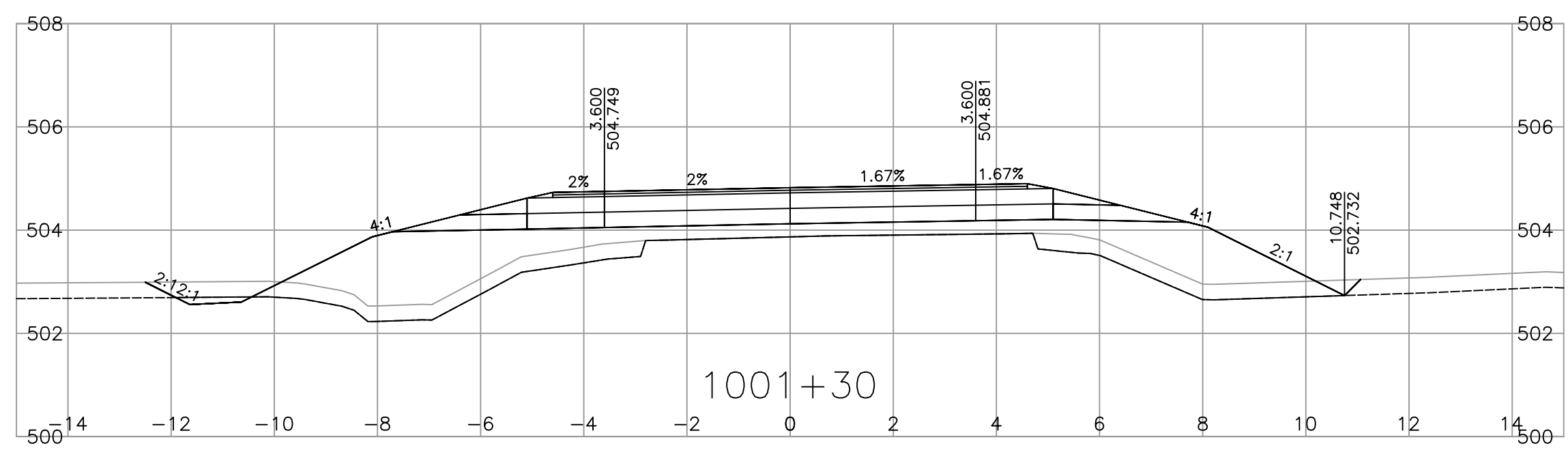
L100B

FILE NUMBER	PROJECT NUMBER	REG	DRAWING NUMBER	REV
	25311-0000	2	R2-1182-1002	

FOR REFERENCE ONLY



PLOT DATE: 2023/05/24 C:\p\working\civil3d\mns05075\1000_XSECT_DB_L100B.dwg



SCALE 0 1 1:100 5m

CAD FILENAME: 1000_XSECT_DB_L100B

PLOT DATE

REV	DATE	REVISIONS	NAME

BRITISH COLUMBIA
MINISTRY OF TRANSPORTATION AND INFRASTRUCTURE
SOUTHERN INTERIOR REGION

DESIGNED: K. MANN DATE: 2023-03-07
 QUALITY CONTROL: R. STRUTHERS DATE: 2023-03-07
 QUALITY ASSURANCE: R. FOXTON DATE: 2023-03-07
 DRAWN: K. MANN DATE: 2023-03-07

ENGINEER OF RECORD
DATE

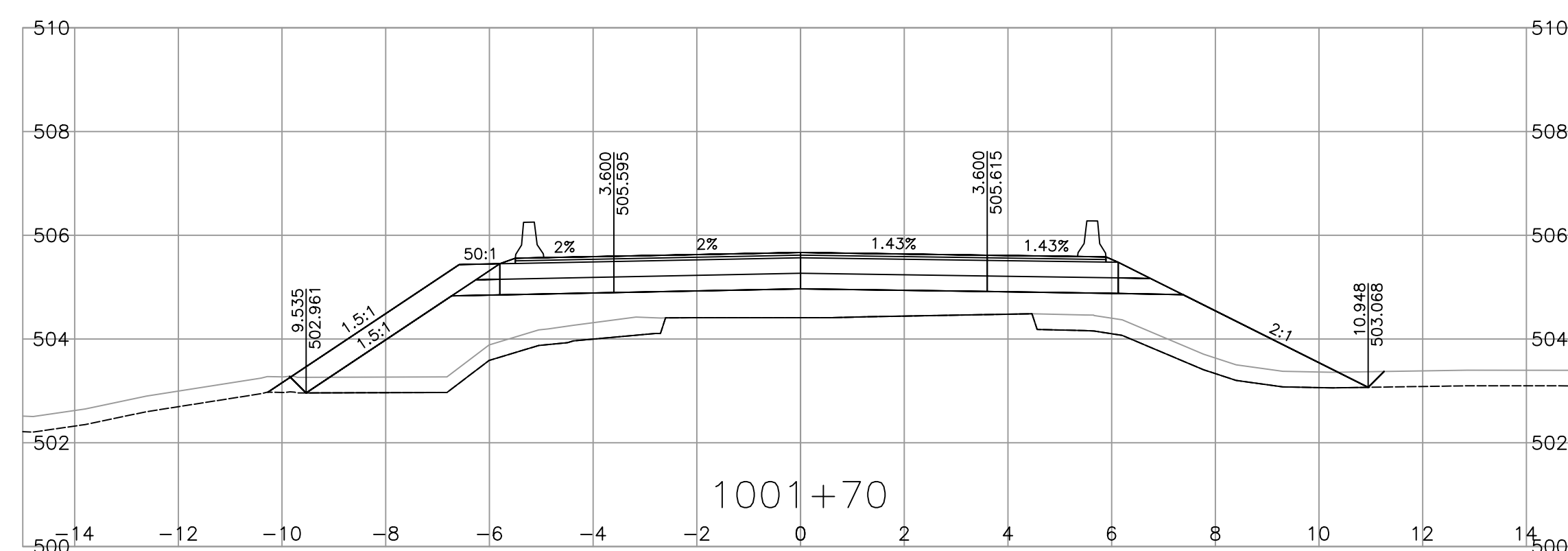
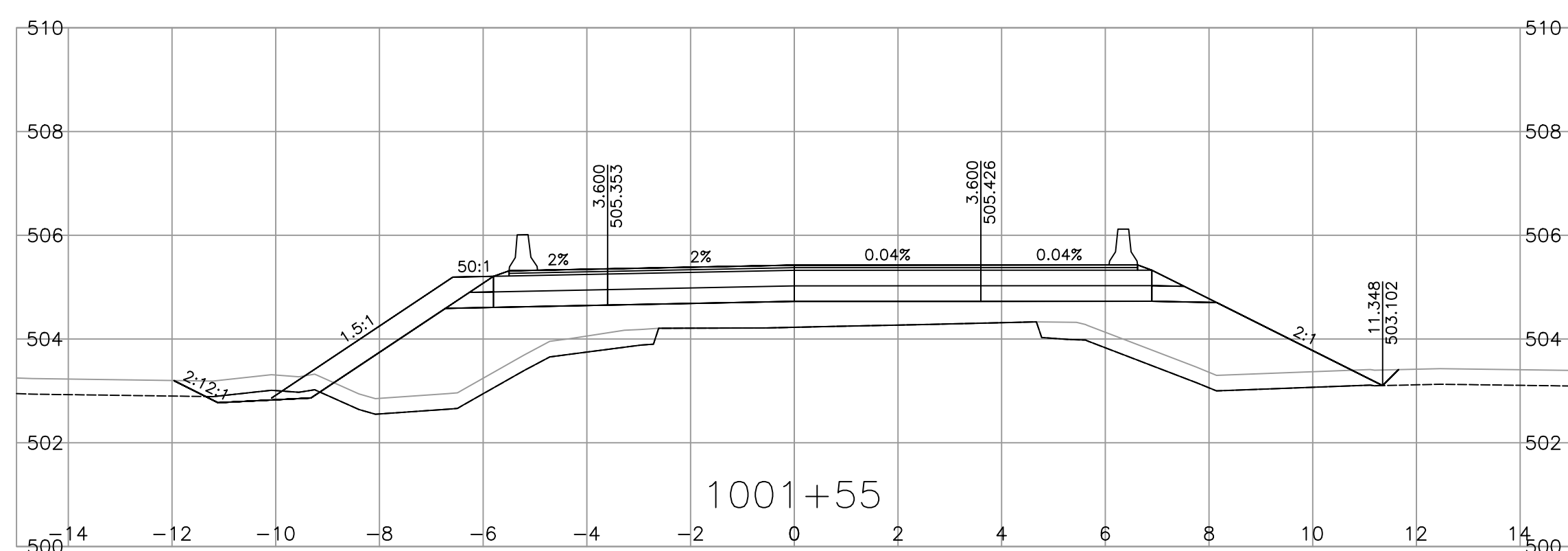
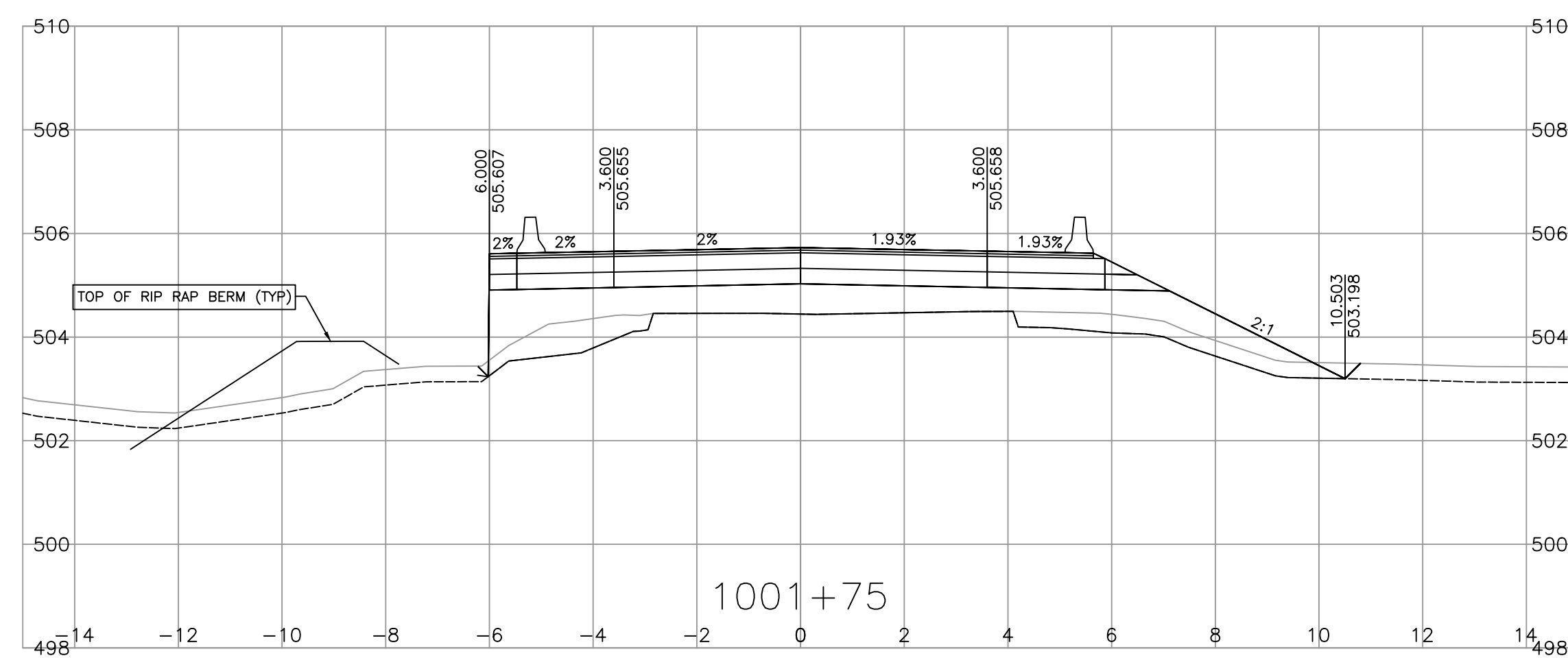
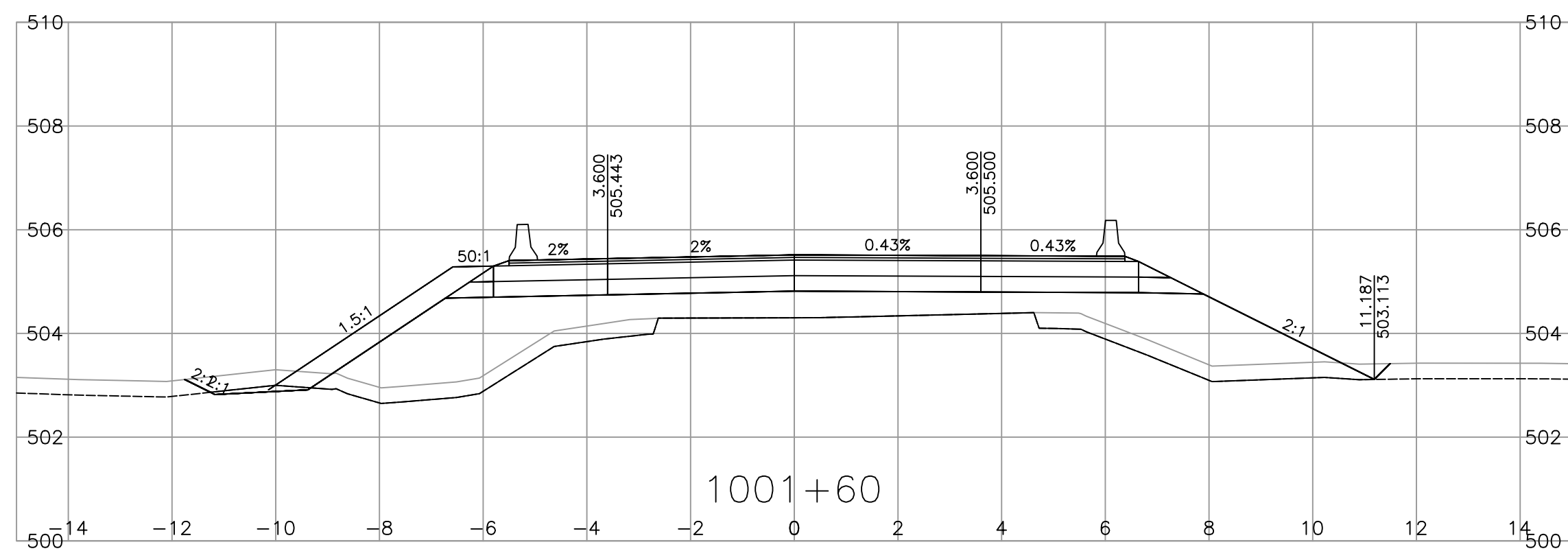
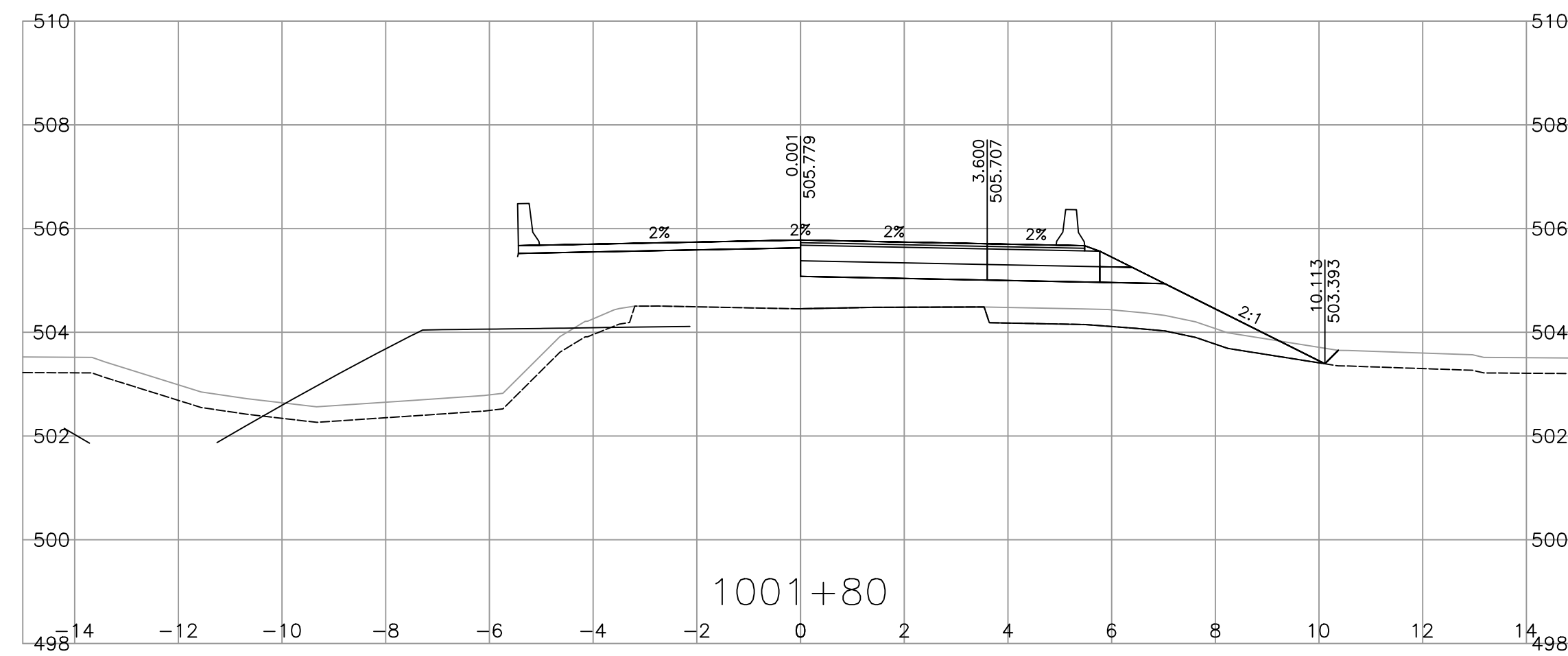
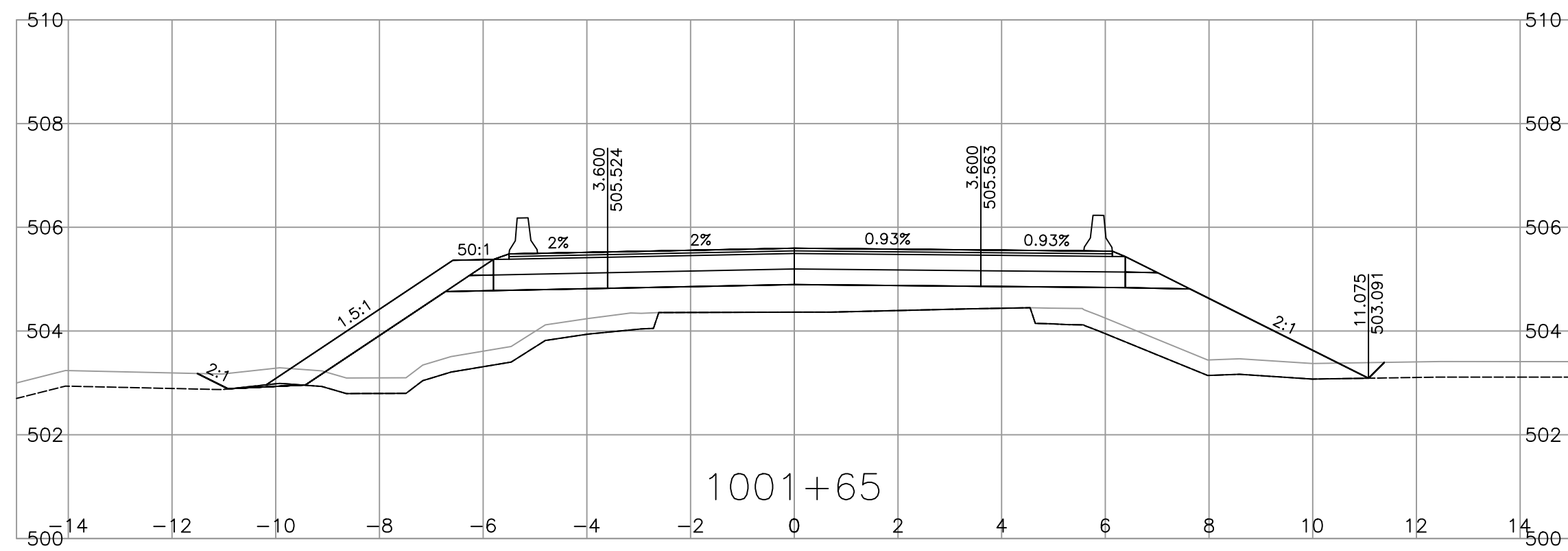
CROSS SECTIONS
DALY BRIDGE No. 06489 REPLACEMENT
CREIGHTON VALLEY ROAD
L100B

FILE NUMBER	PROJECT NUMBER	REG	DRAWING NUMBER	REV
	25311-0000	2	R2-1182-1003	

FOR REFERENCE ONLY



PLOT DATE: 2023/05/24 C:\p\working\civil3d\mns05075\1000_XSECT_DB_L100B.dwg



SCALE 0 1 1:100 5m

CAD FILENAME 1000_XSECT_DB_L100B

PLOT DATE _____

REV	DATE	REVISIONS	NAME

BRITISH COLUMBIA

MINISTRY OF TRANSPORTATION AND INFRASTRUCTURE
SOUTHERN INTERIOR REGION

DESIGNED K. MANN DATE 2023-03-07

QUALITY CONTROL R. STRUTHERS DATE 2023-03-07

QUALITY ASSURANCE R. FOXTON DATE 2023-03-07

DRAWN K. MANN DATE 2023-03-07

ENGINEER OF RECORD _____

DATE _____

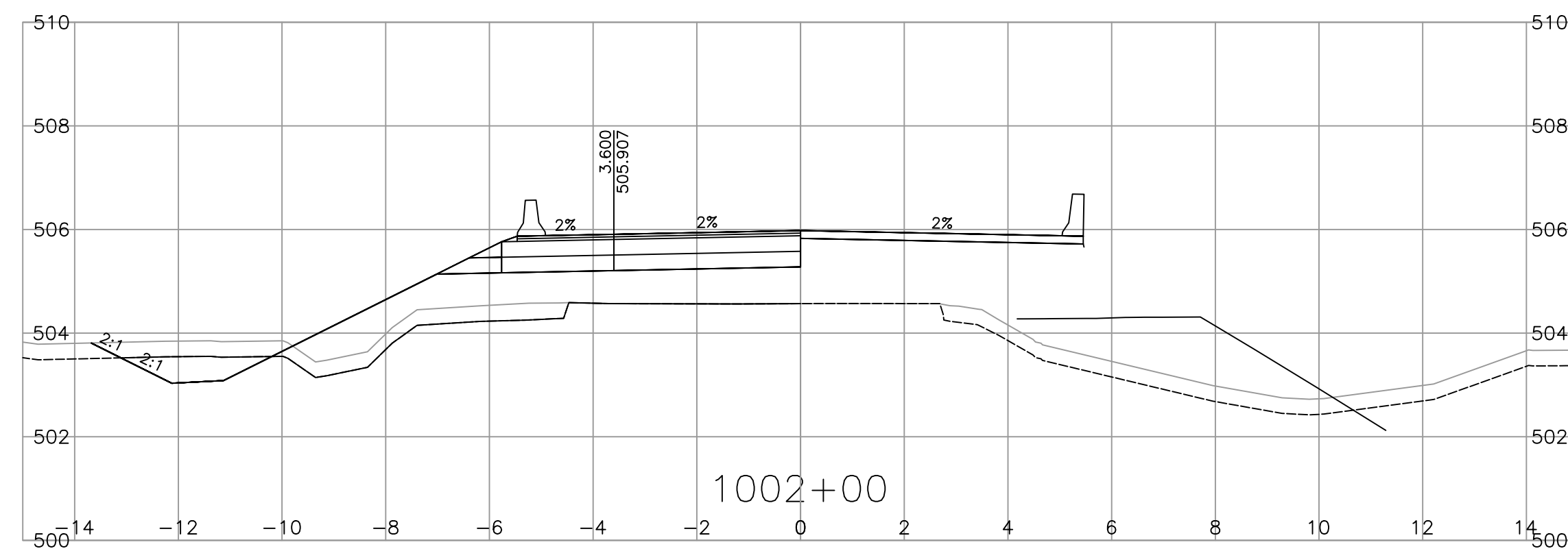
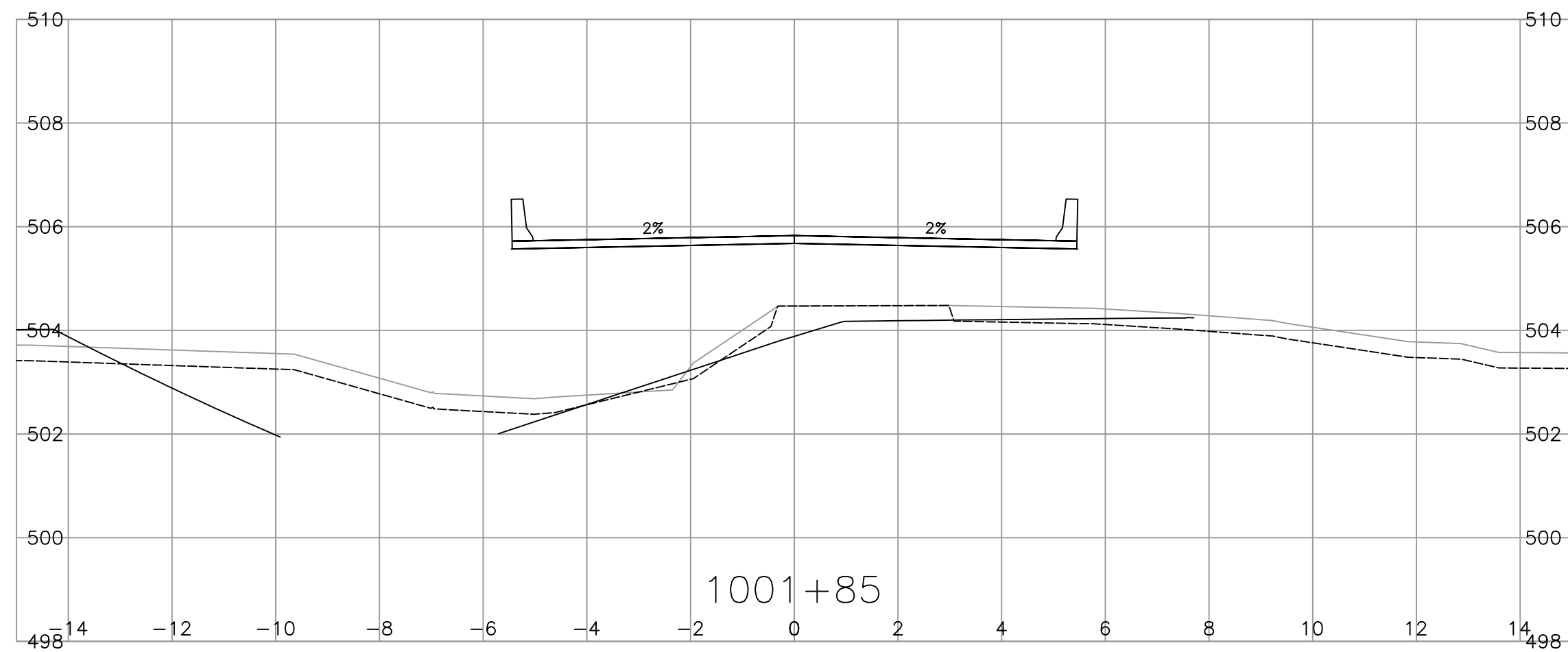
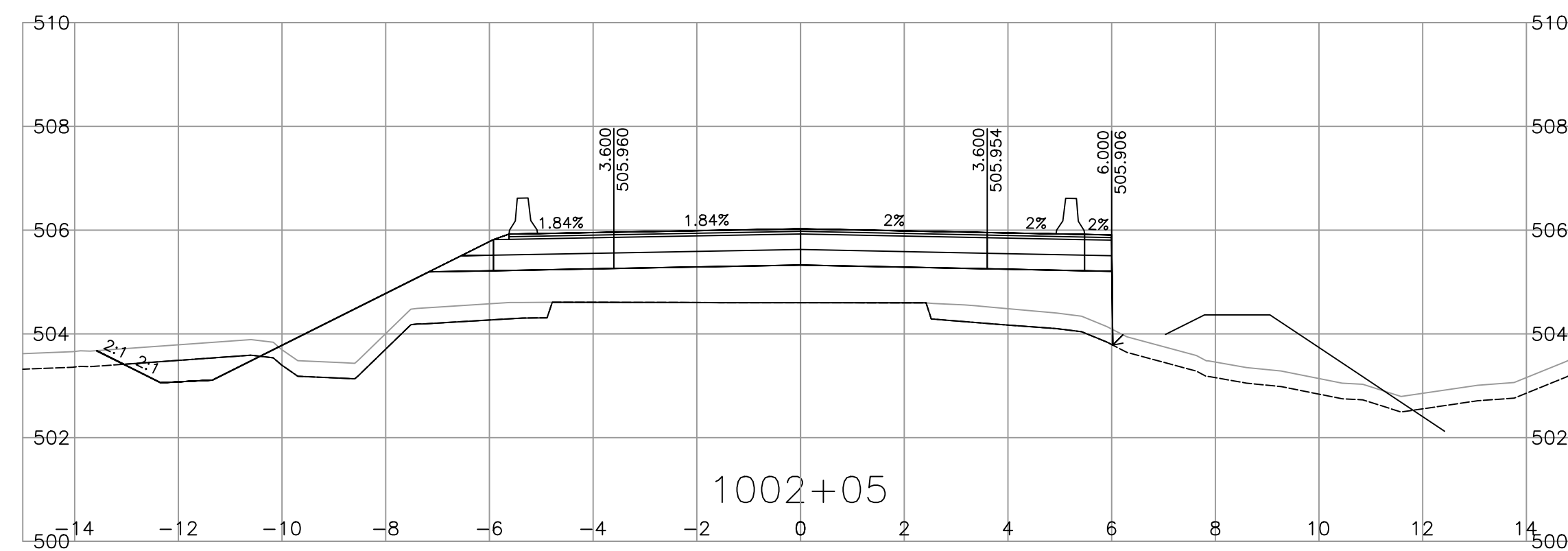
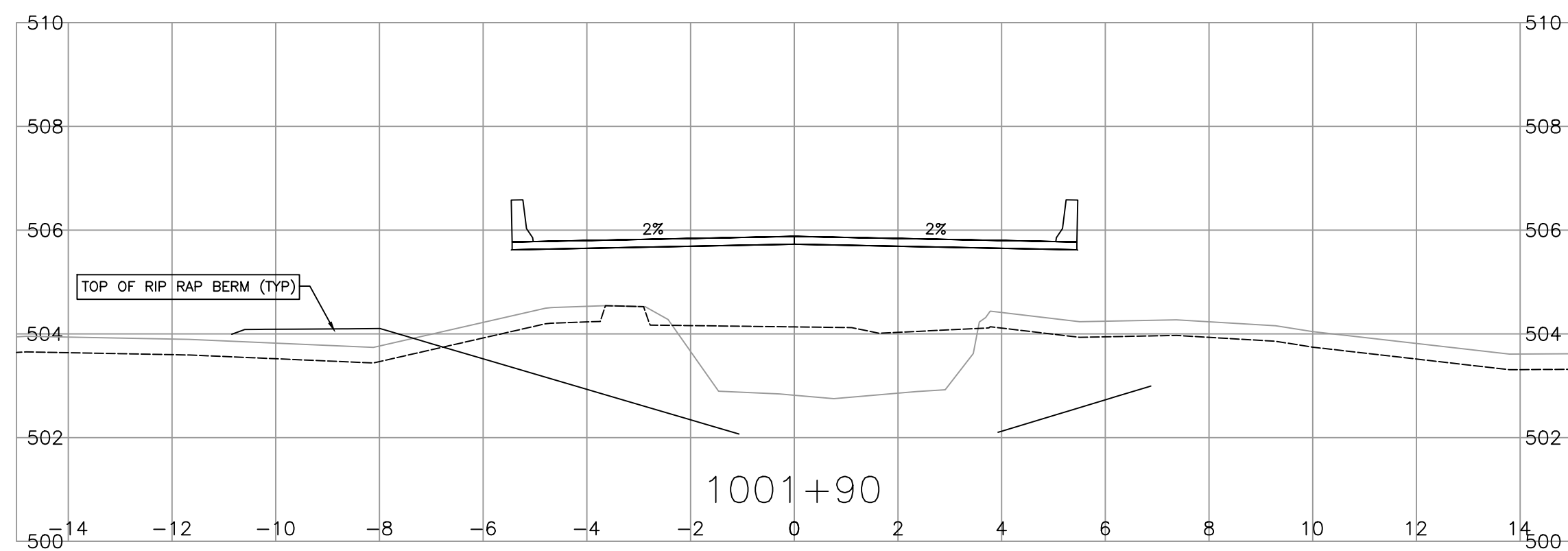
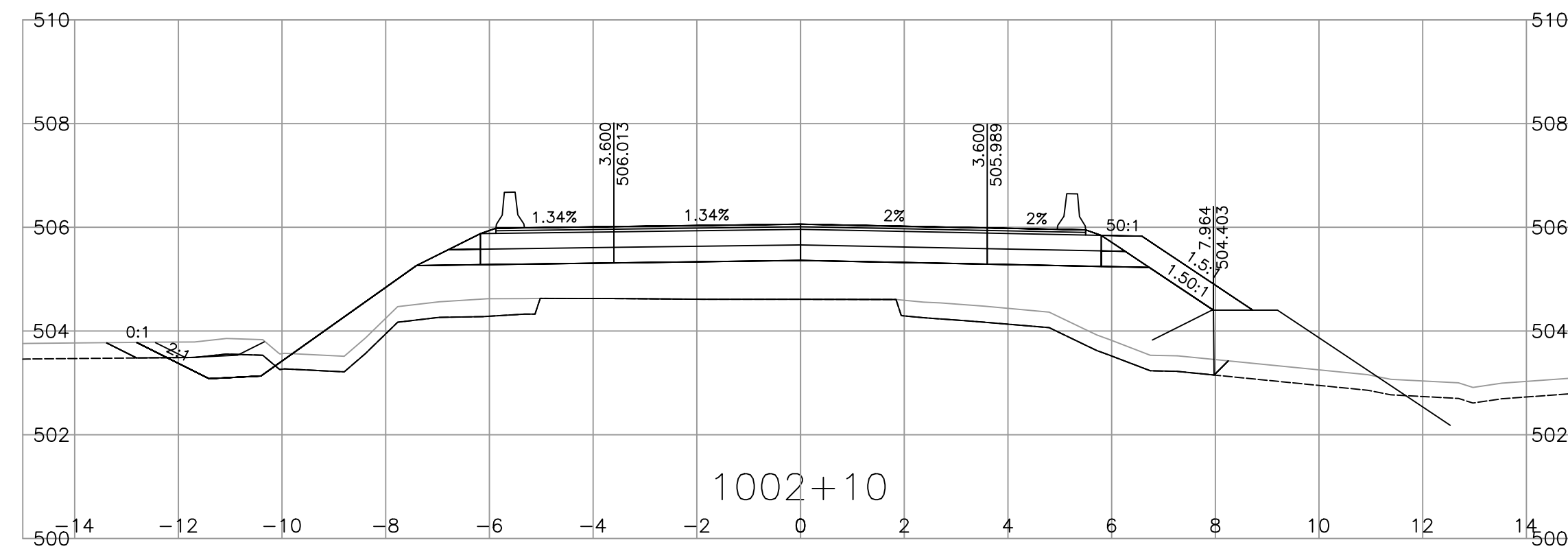
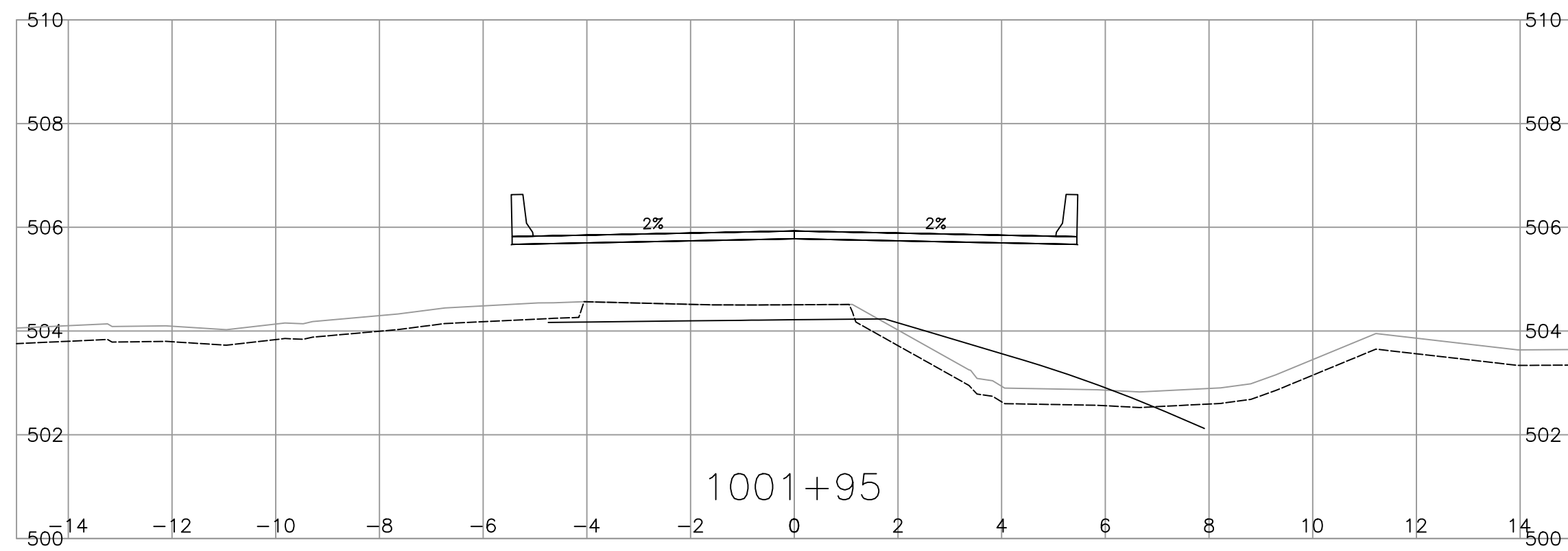
CROSS SECTIONS
DALY BRIDGE No. 06489 REPLACEMENT
CREIGHTON VALLEY ROAD
L100B

FILE NUMBER	PROJECT NUMBER	REG	DRAWING NUMBER	REV
	25311-0000	2	R2-1182-1004	

FOR REFERENCE ONLY



PLOT DATE: 2023/05/24 C:\p\working\civil3d\dmso5075\1000_XSECT_DB_L100B.dwg



SCALE 0 1 1:100 5m

CAD FILENAME: 1000_XSECT_DB_L100B

PLOT DATE: _____

REV	DATE	REVISIONS	NAME

BRITISH COLUMBIA

MINISTRY OF TRANSPORTATION AND INFRASTRUCTURE
SOUTHERN INTERIOR REGION

DESIGNED: K. MANN DATE: 2023-03-07
 QUALITY CONTROL: R. STRUTHERS DATE: 2023-03-07
 QUALITY ASSURANCE: R. FOXTON DATE: 2023-03-07
 DRAWN: K. MANN DATE: 2023-03-07

ENGINEER OF RECORD: _____
DATE: _____

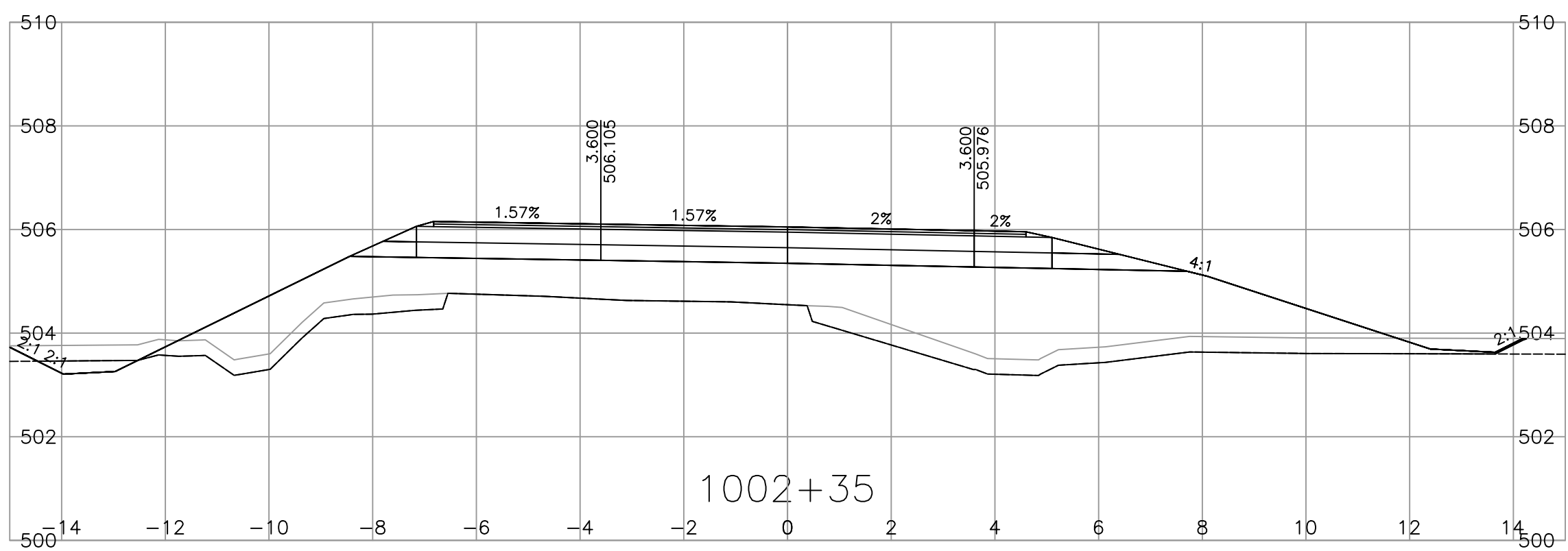
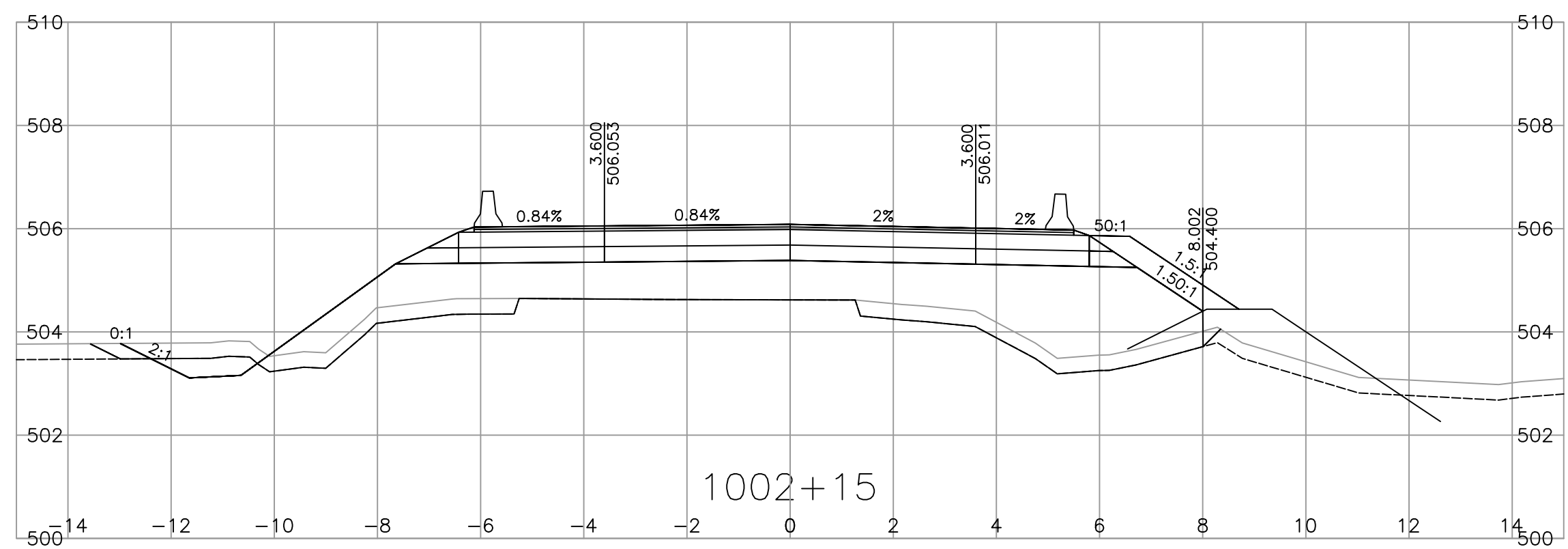
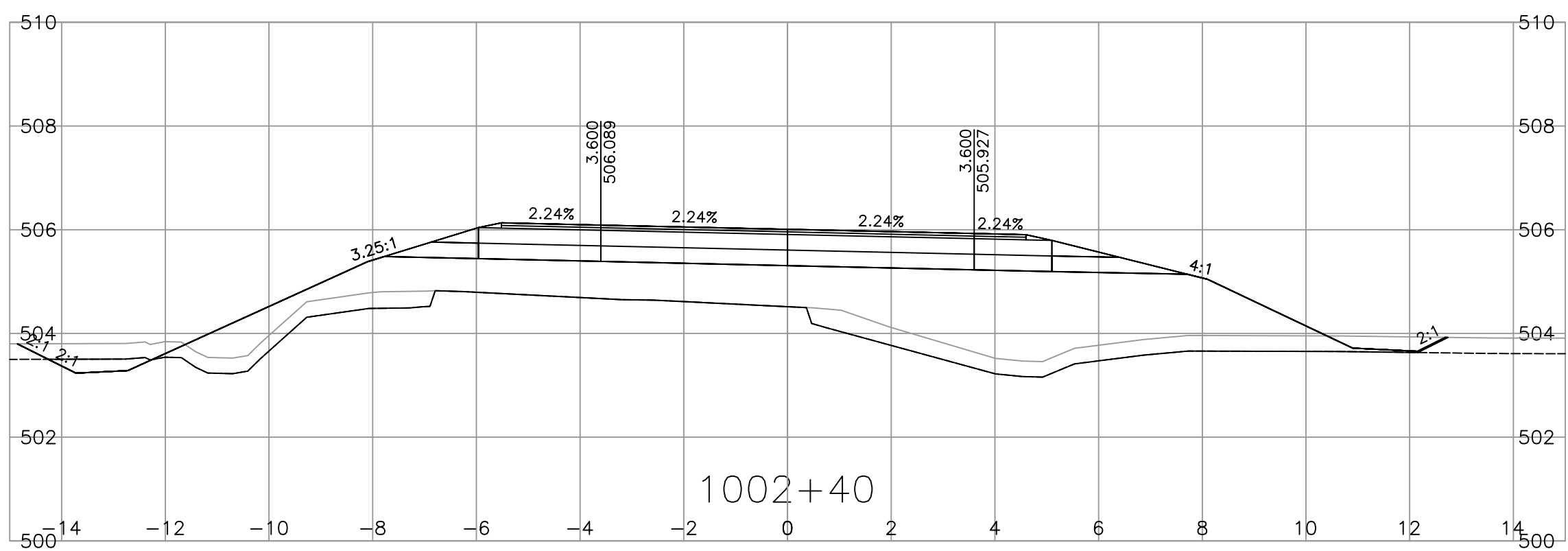
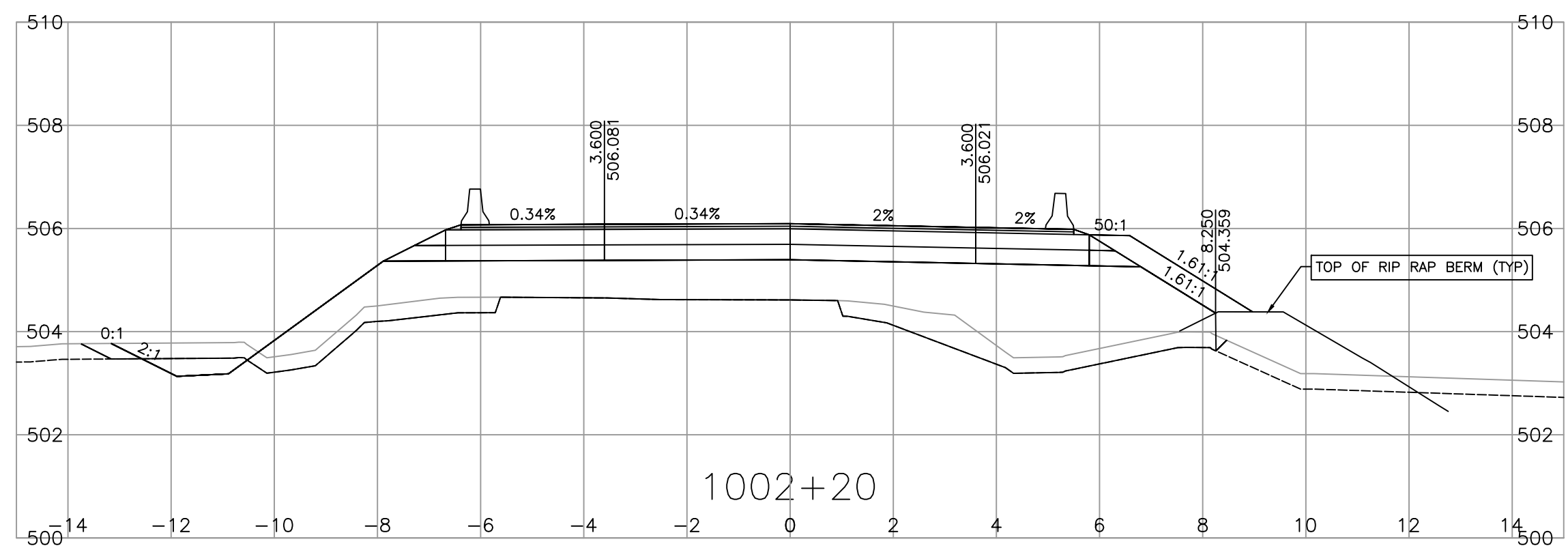
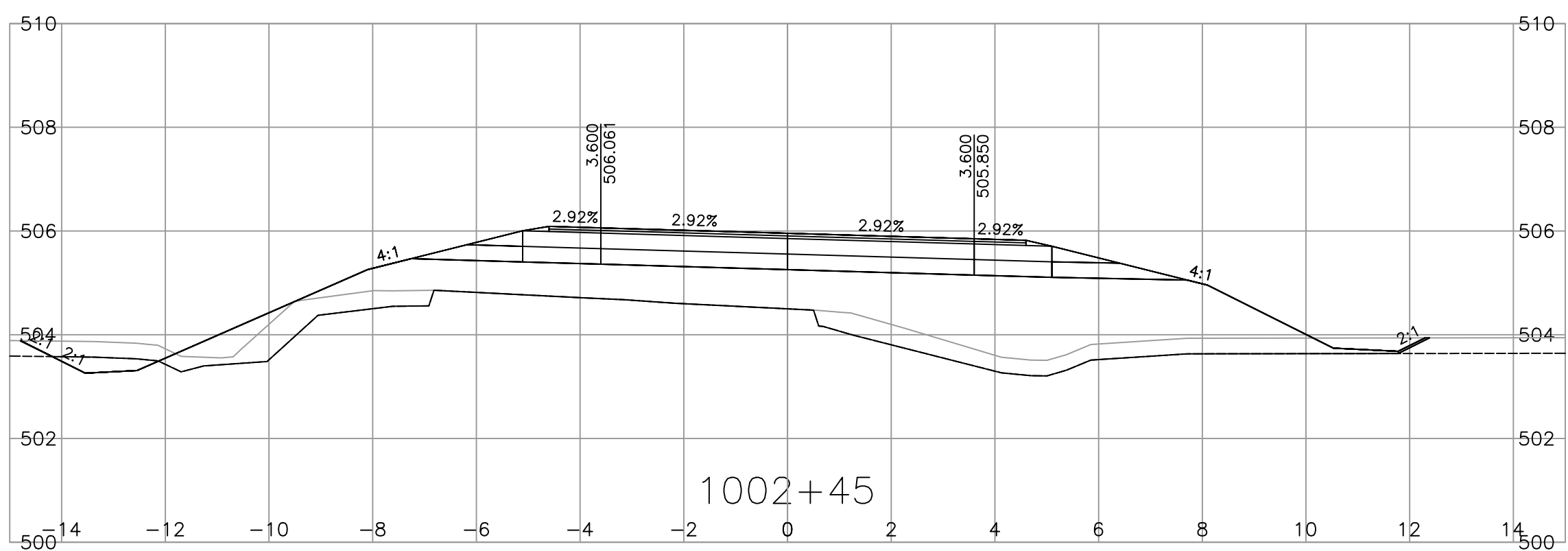
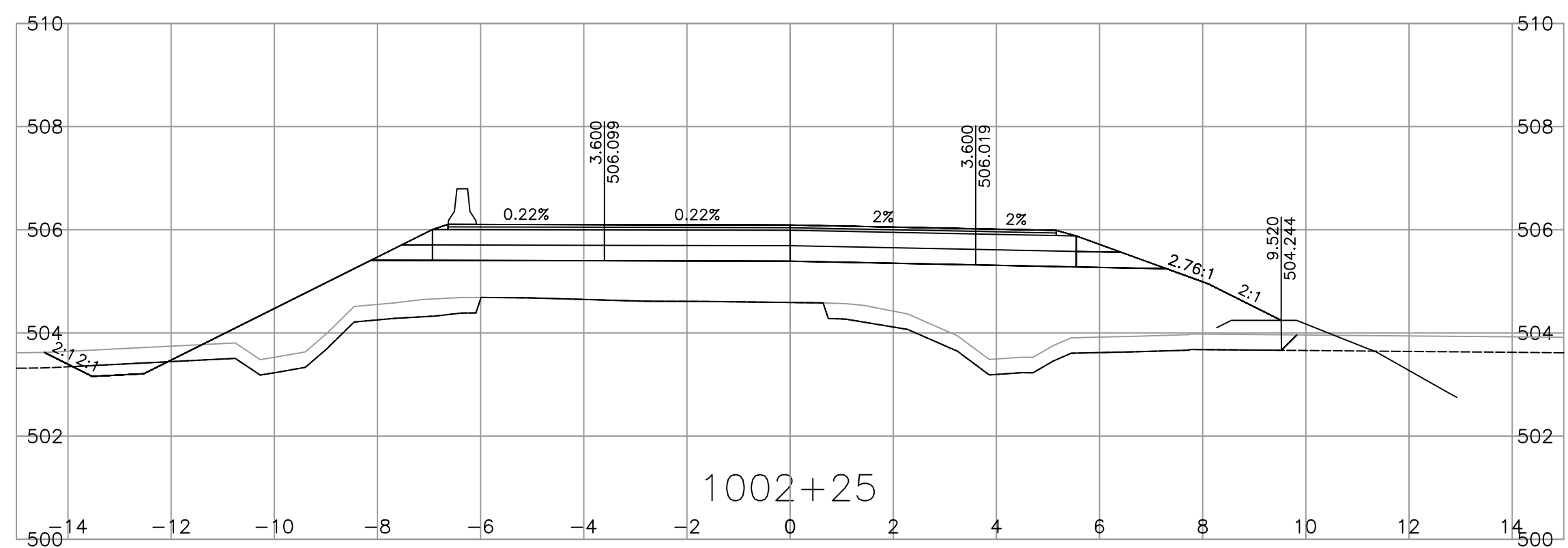
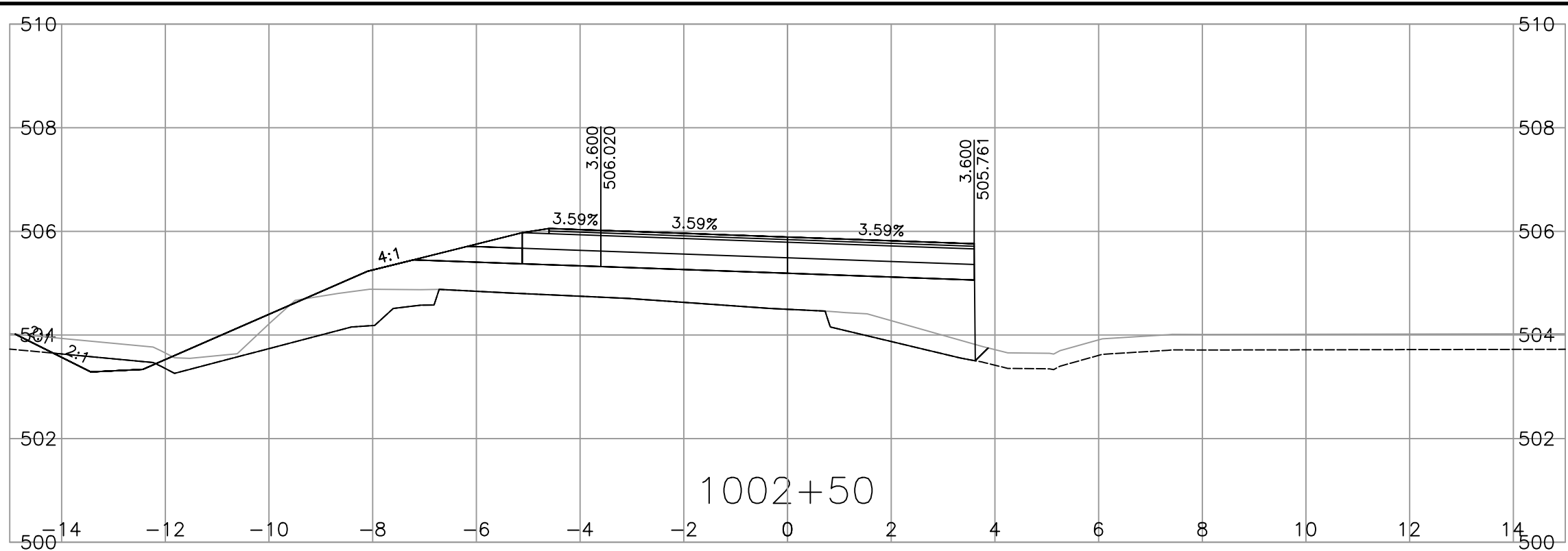
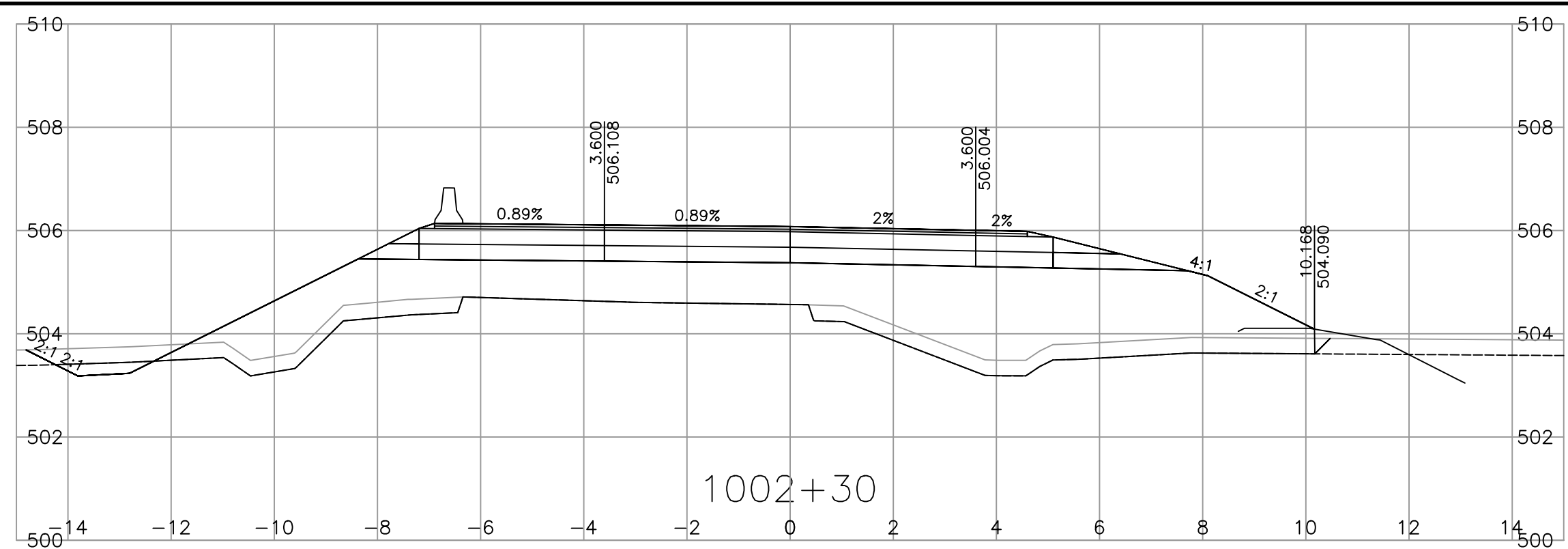
CROSS SECTIONS
DALY BRIDGE No. 06489 REPLACEMENT
CREIGHTON VALLEY ROAD
L100B

FILE NUMBER	PROJECT NUMBER	REG	DRAWING NUMBER	REV
	25311-0000	2	R2-1182-1005	

FOR REFERENCE ONLY



PLOT DATE: 2023/05/24 C:\p\working\civil3d\dms05075\1000_XSECT_DB_L100B.dwg



FOR REFERENCE ONLY



SCALE 0 1 1:100 5m

CAD FILENAME: 1000_XSECT_DB_L100B

PLOT DATE

REV	DATE	REVISIONS	NAME

BRITISH COLUMBIA

MINISTRY OF TRANSPORTATION AND INFRASTRUCTURE
SOUTHERN INTERIOR REGION

DESIGNED K. MANN DATE 2023-03-07
 QUALITY CONTROL R. STRUTHERS DATE 2023-03-07
 QUALITY ASSURANCE R. FOXTON DATE 2023-03-07
 DRAWN K. MANN DATE 2023-03-07

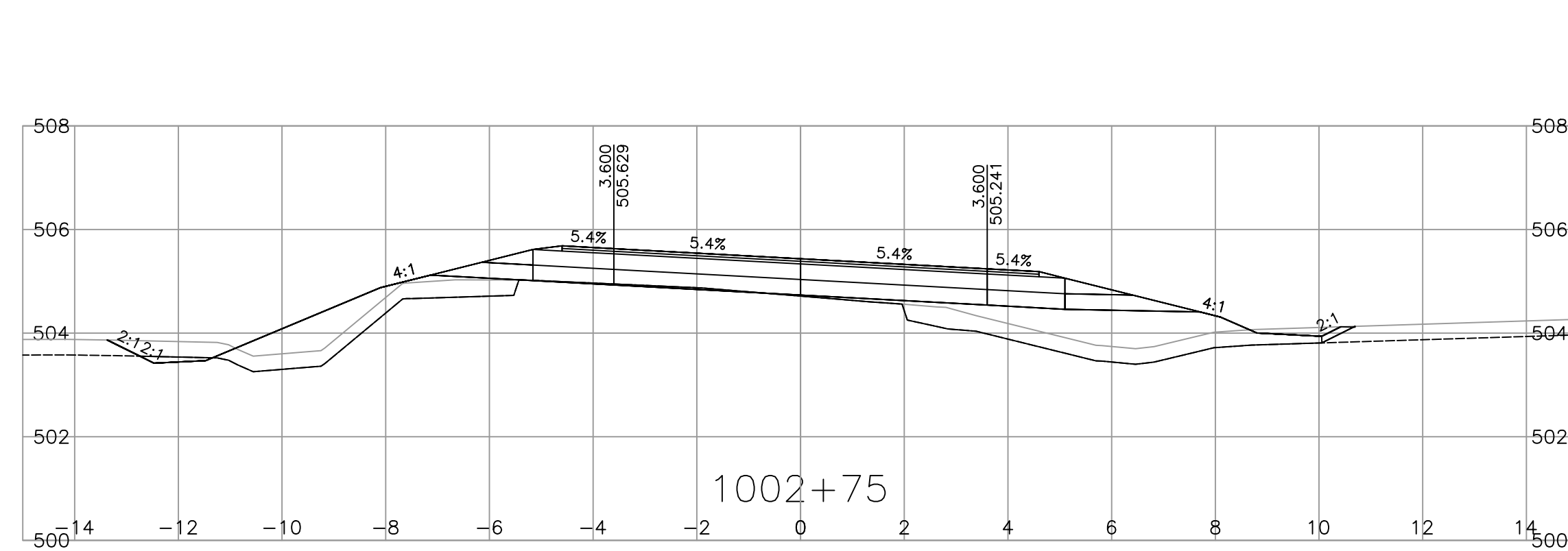
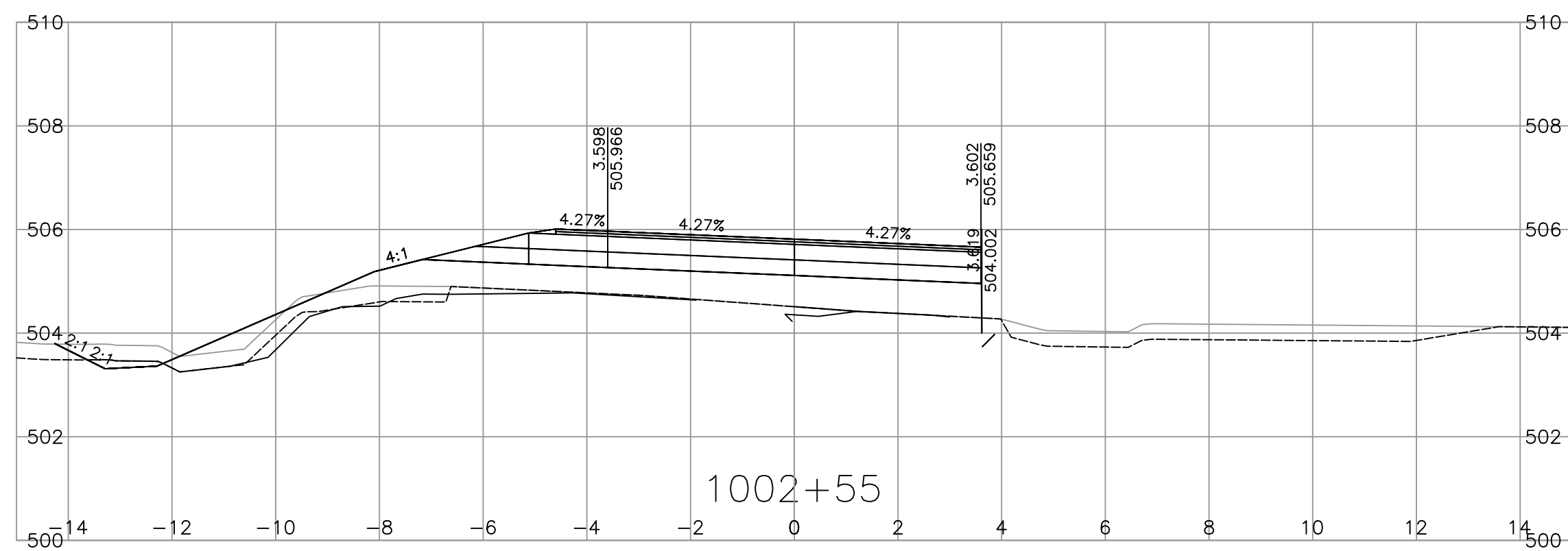
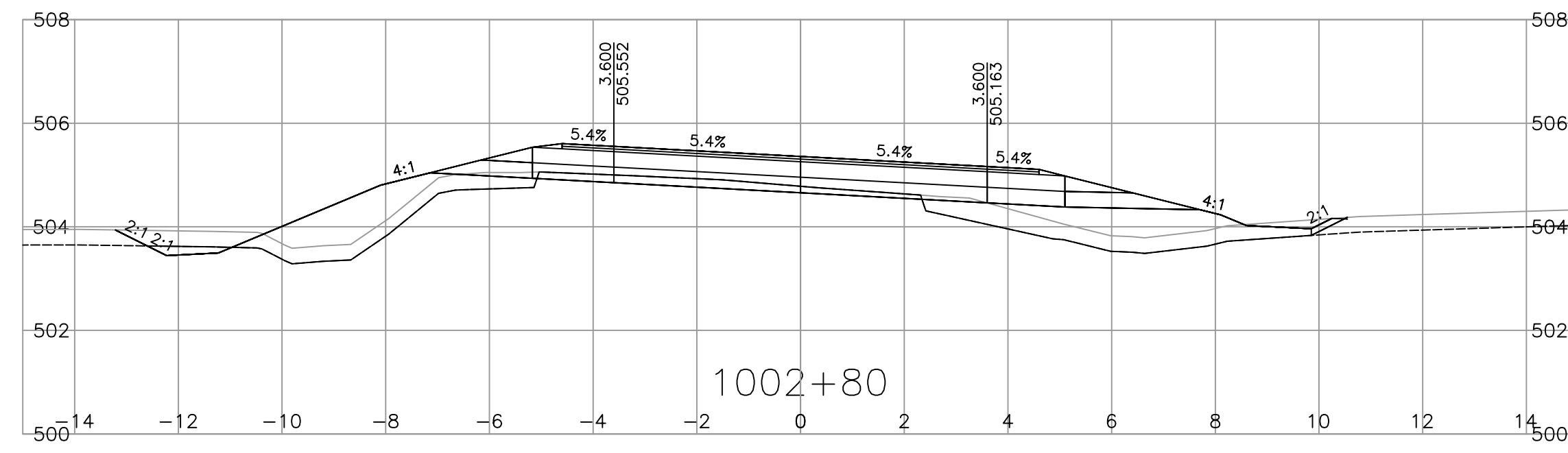
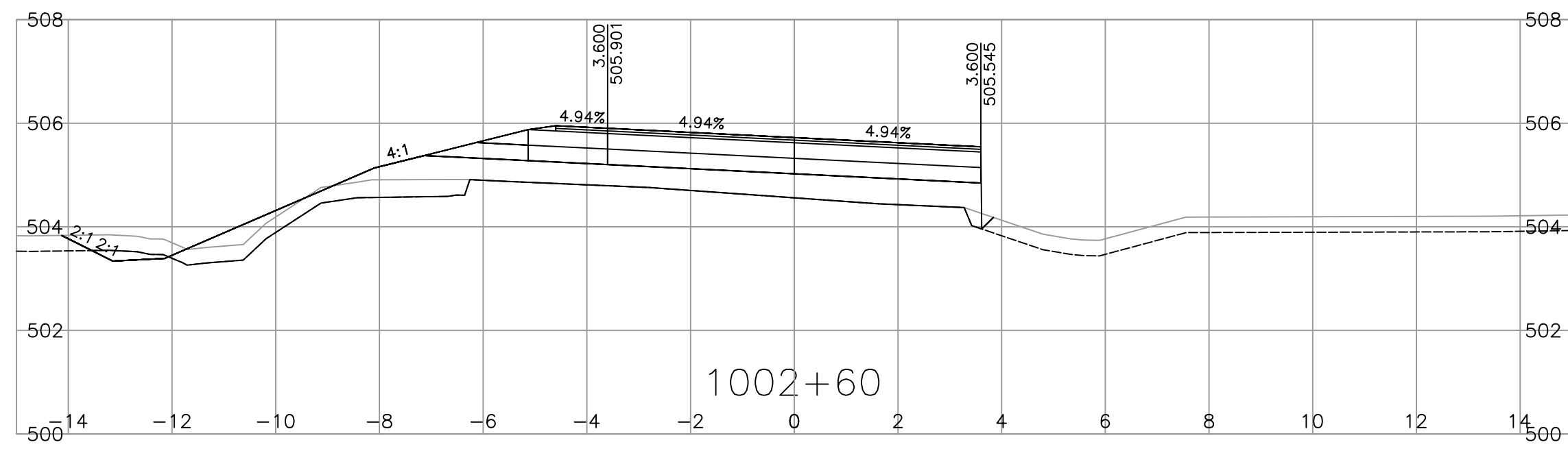
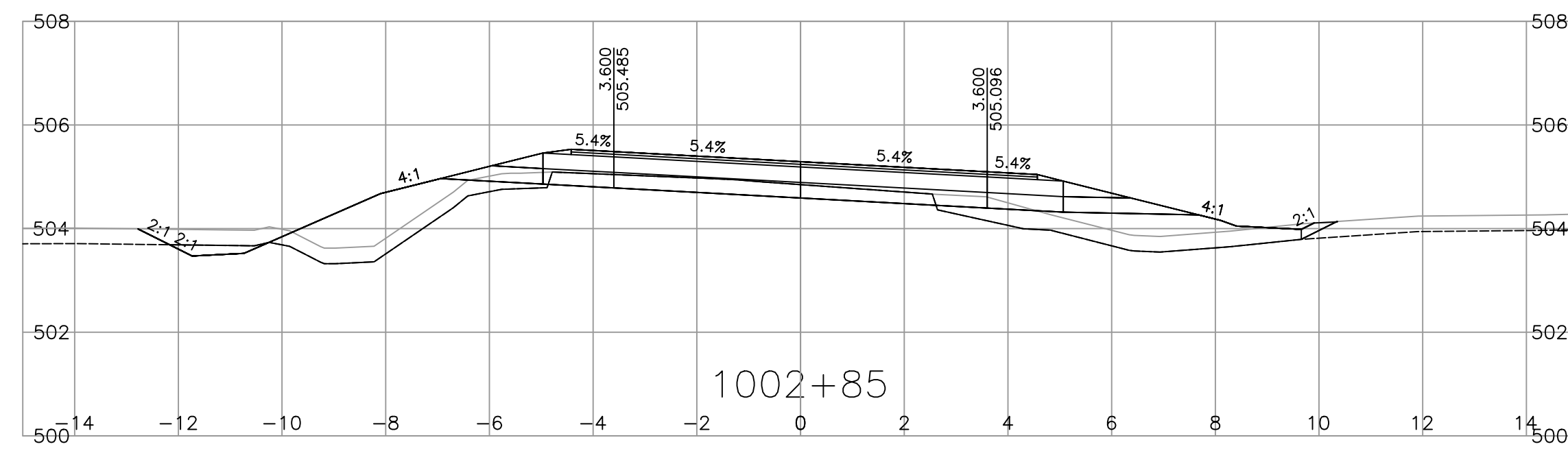
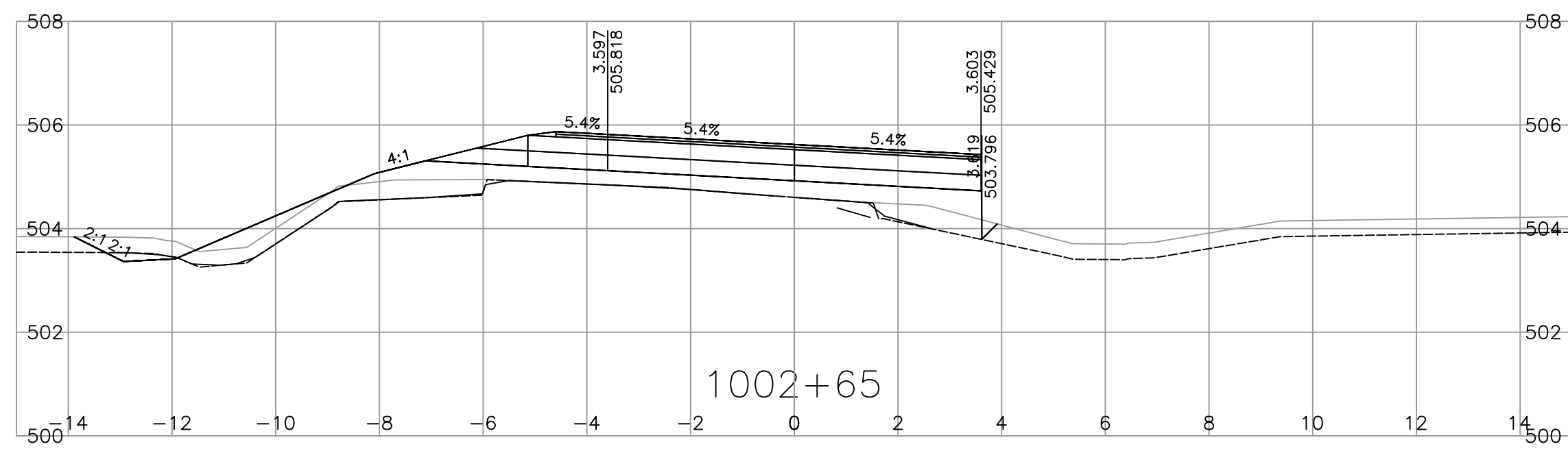
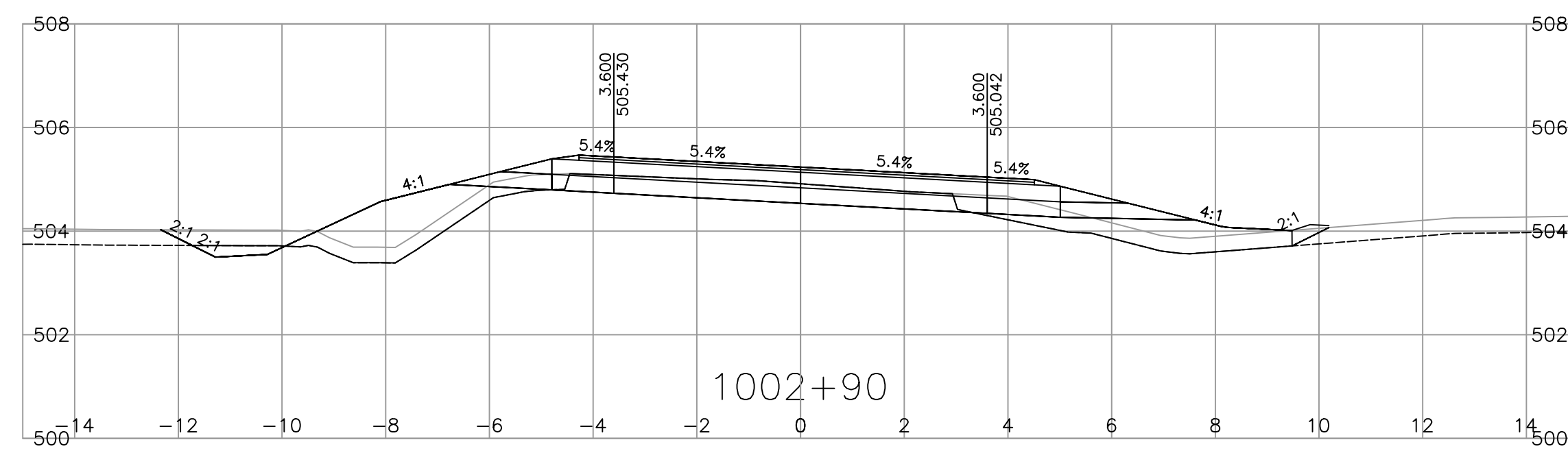
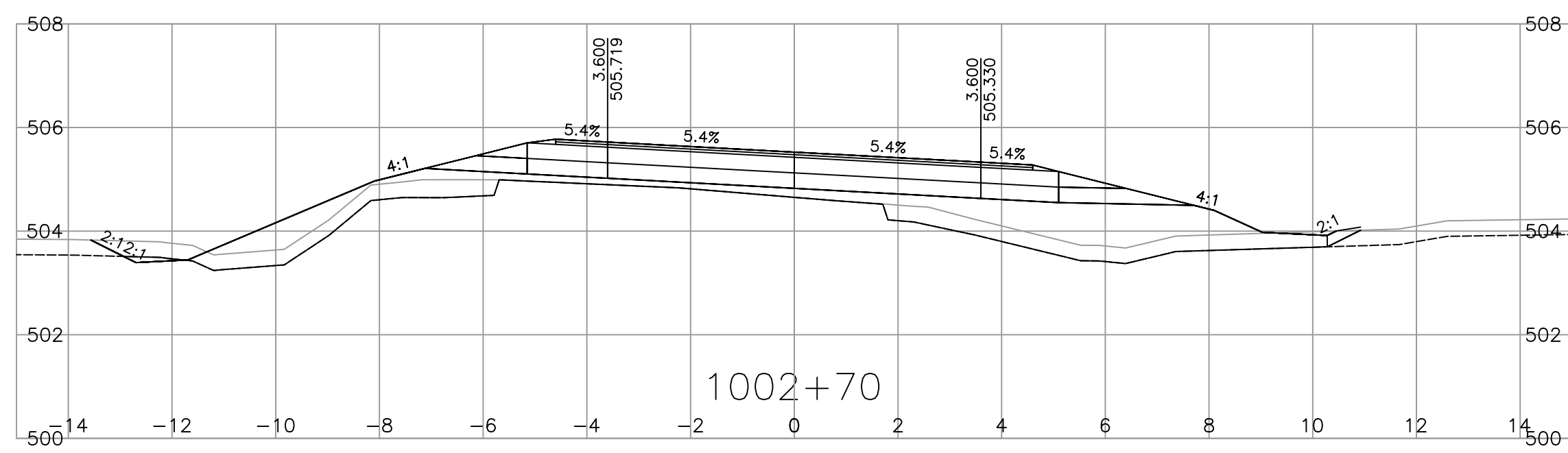
ENGINEER OF RECORD _____
DATE _____

CROSS SECTIONS

DALY BRIDGE No. 06489 REPLACEMENT
CREIGHTON VALLEY ROAD
L100B

FILE NUMBER	PROJECT NUMBER	REG	DRAWING NUMBER	REV
	25311-0000	2	R2-1182-1006	

PLOT DATE: 2023/05/24 C:\p\working\civil3d\mns05075\1000_XSECT_DB_L100B.dwg



SCALE 0 1 1:100 5m

CAD FILENAME 1000_XSECT_DB_L100B

PLOT DATE _____

REV	DATE	REVISIONS	NAME

BRITISH COLUMBIA

MINISTRY OF TRANSPORTATION AND INFRASTRUCTURE
SOUTHERN INTERIOR REGION

DESIGNED K. MANN DATE 2023-03-07
 QUALITY CONTROL R. STRUTHERS DATE 2023-03-07
 QUALITY ASSURANCE R. FOXTON DATE 2023-03-07
 DRAWN K. MANN DATE 2023-03-07

ENGINEER OF RECORD _____
DATE _____

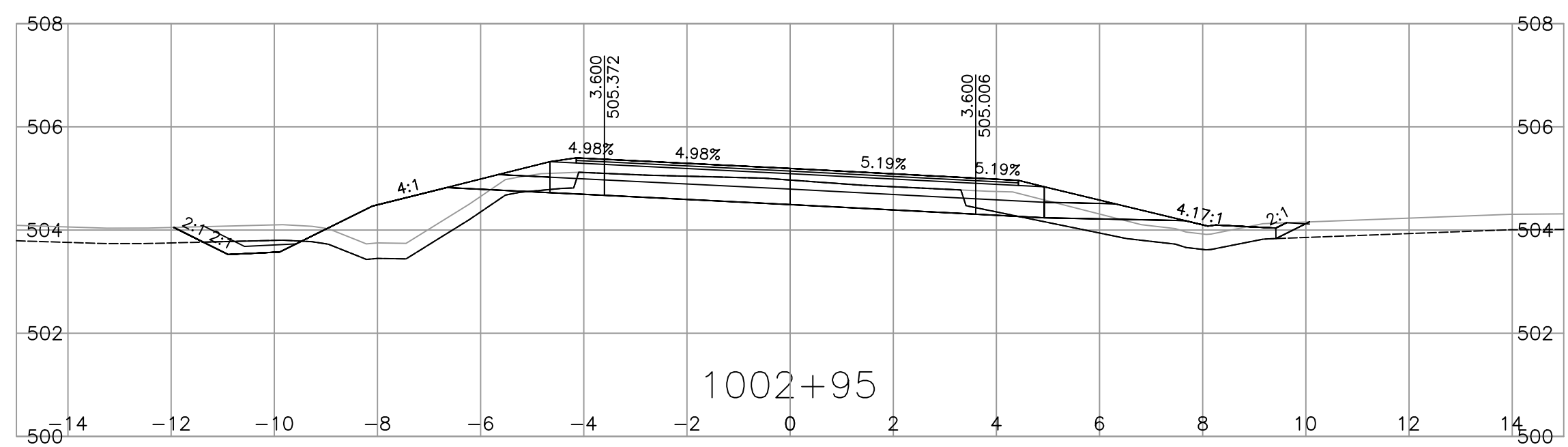
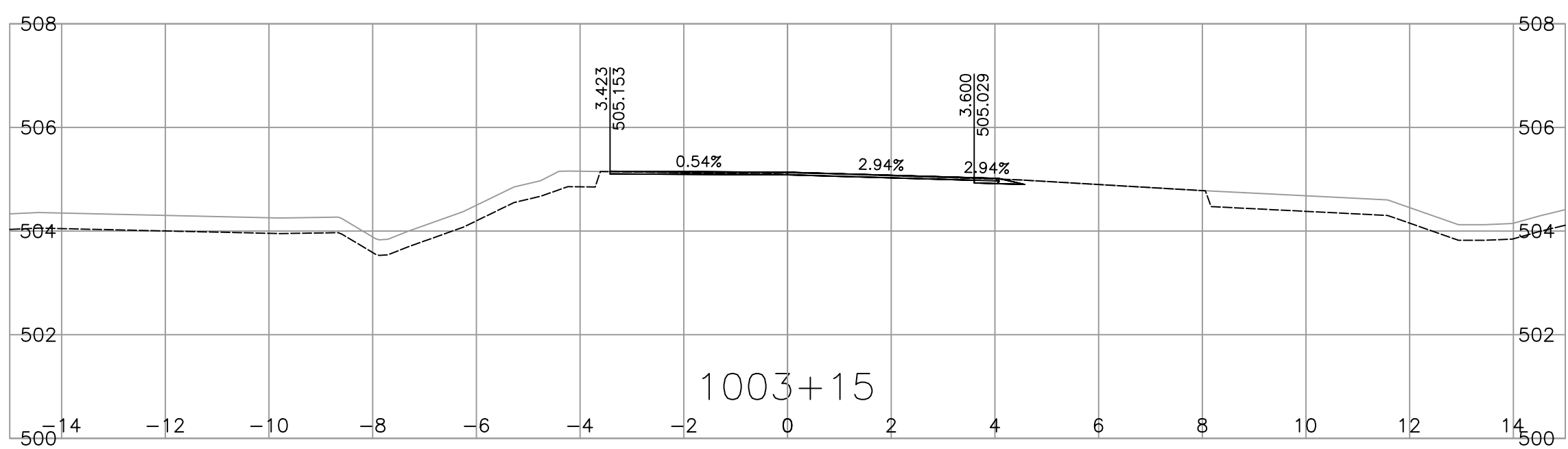
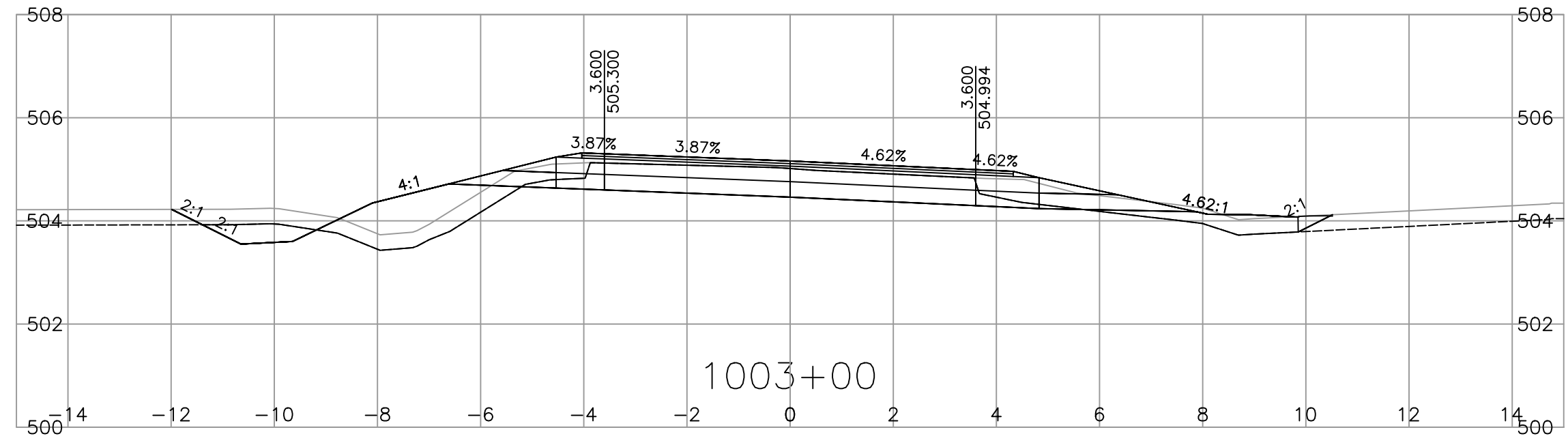
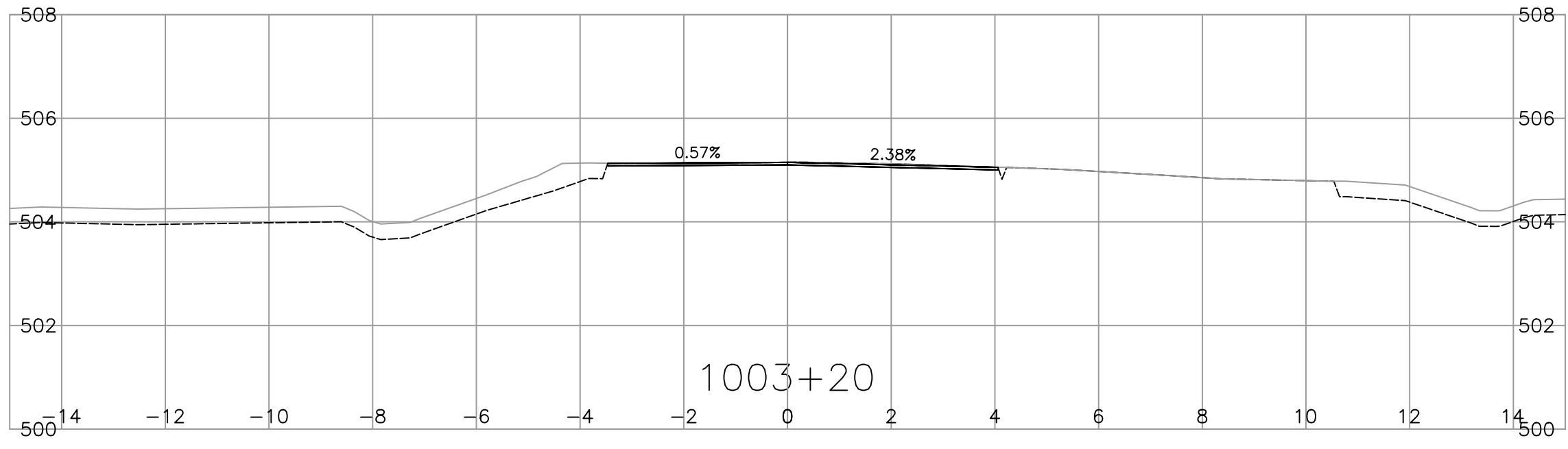
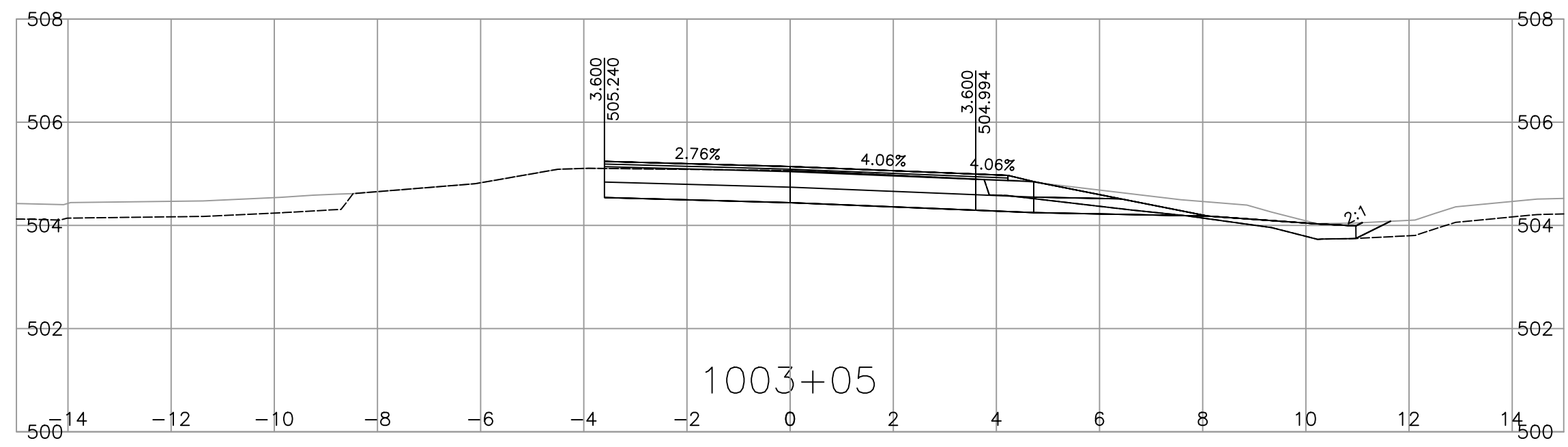
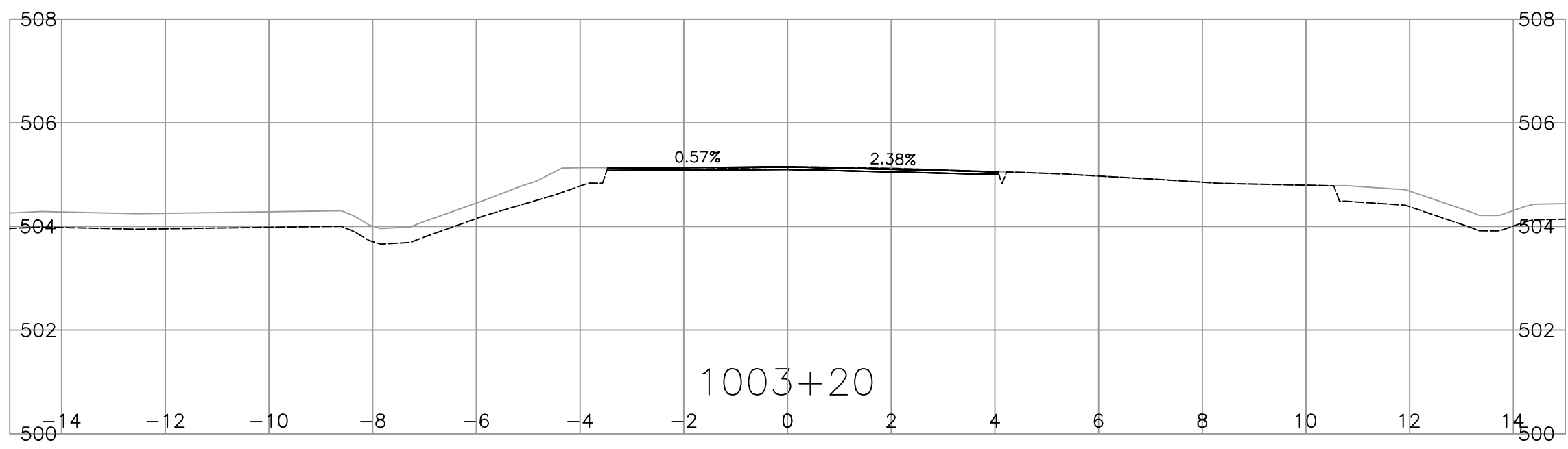
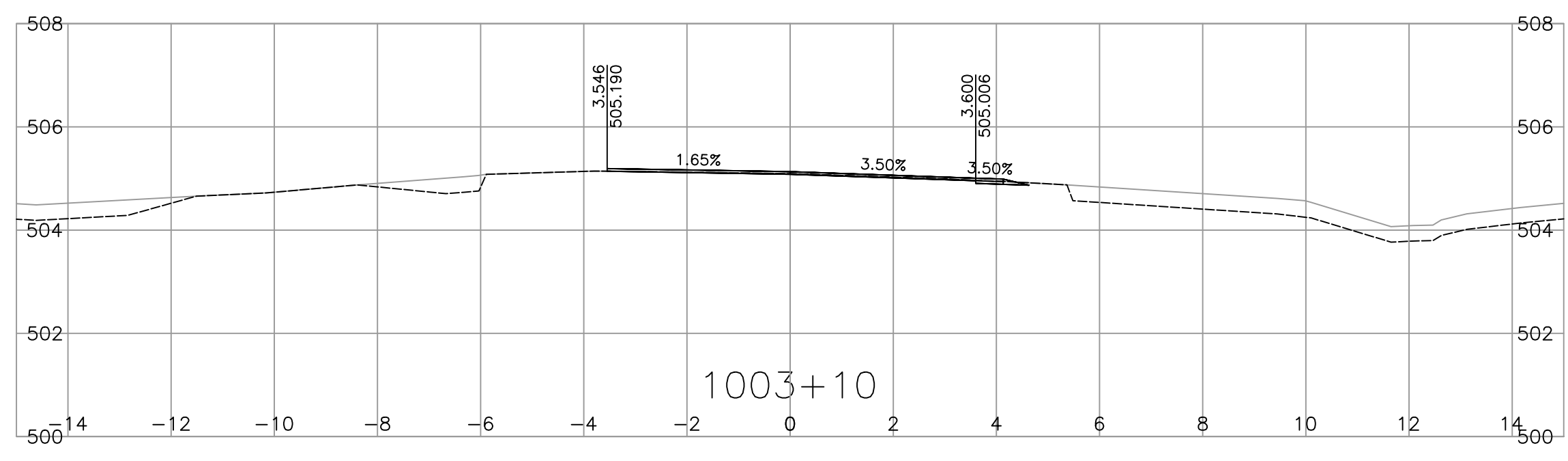
CROSS SECTIONS
DALY BRIDGE No. 06489 REPLACEMENT
CREIGHTON VALLEY ROAD
L100B

FILE NUMBER	PROJECT NUMBER	REG	DRAWING NUMBER	REV
	25311-0000	2	R2-1182-1007	

FOR REFERENCE ONLY



PLOT DATE: 2023/05/24 C:\pwworking\civil3d\mns05075\1000_XSECT_DB_L100B.dwg



SCALE 0 1 1:100 5m

CAD FILENAME: 1000_XSECT_DB_L100B

PLOT DATE: _____

REV	DATE	REVISIONS	NAME

BRITISH COLUMBIA

MINISTRY OF TRANSPORTATION AND INFRASTRUCTURE
SOUTHERN INTERIOR REGION

DESIGNED: K. MANN DATE: 2023-03-07

QUALITY CONTROL: R. STRUTHERS DATE: 2023-03-07

QUALITY ASSURANCE: R. FOXTON DATE: 2023-03-07

DRAWN: K. MANN DATE: 2023-03-07

ENGINEER OF RECORD: _____

DATE: _____

CROSS SECTIONS

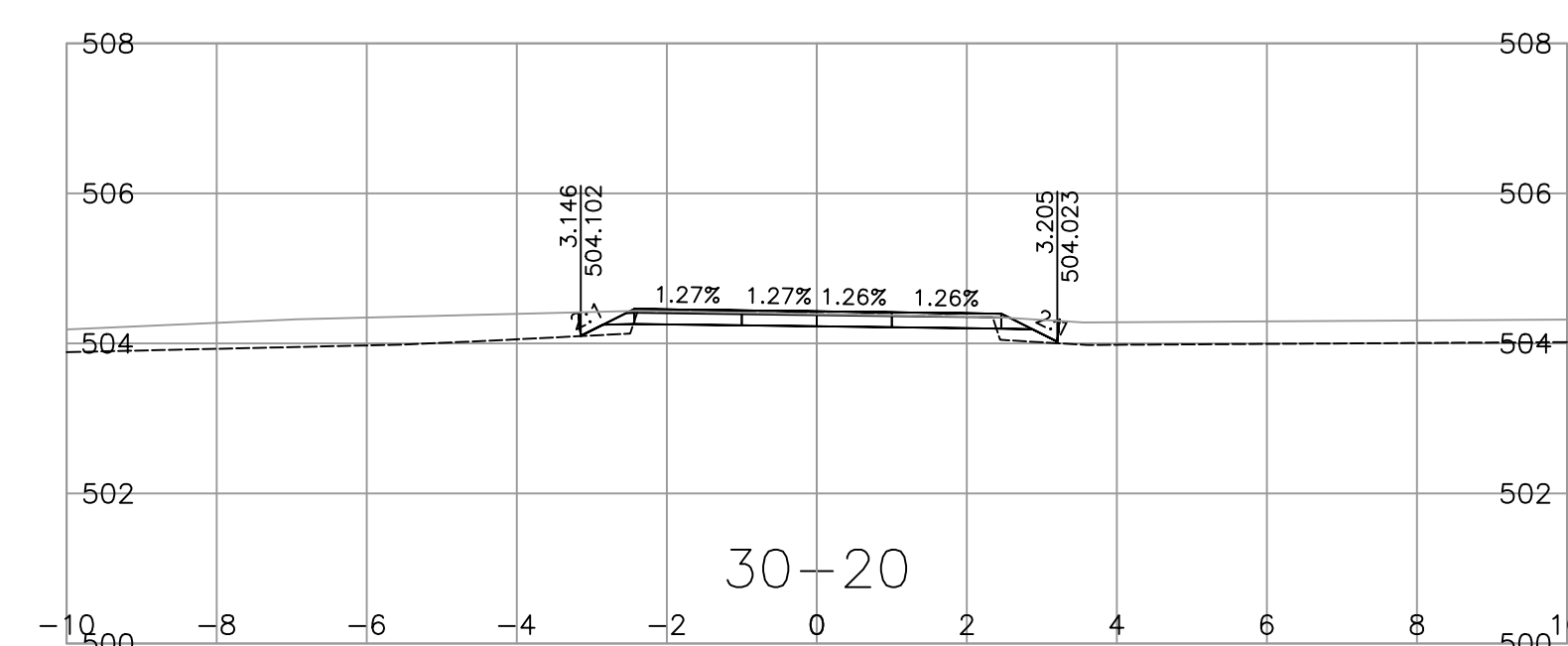
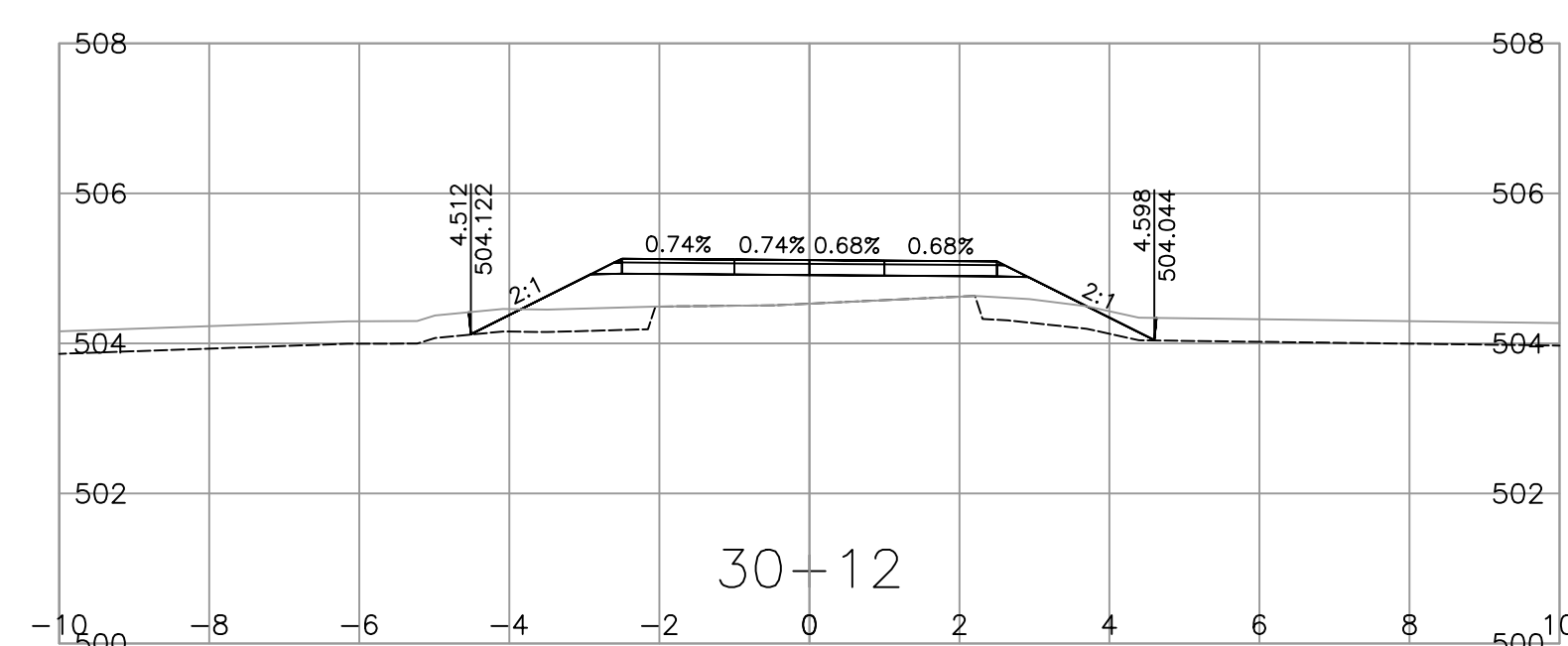
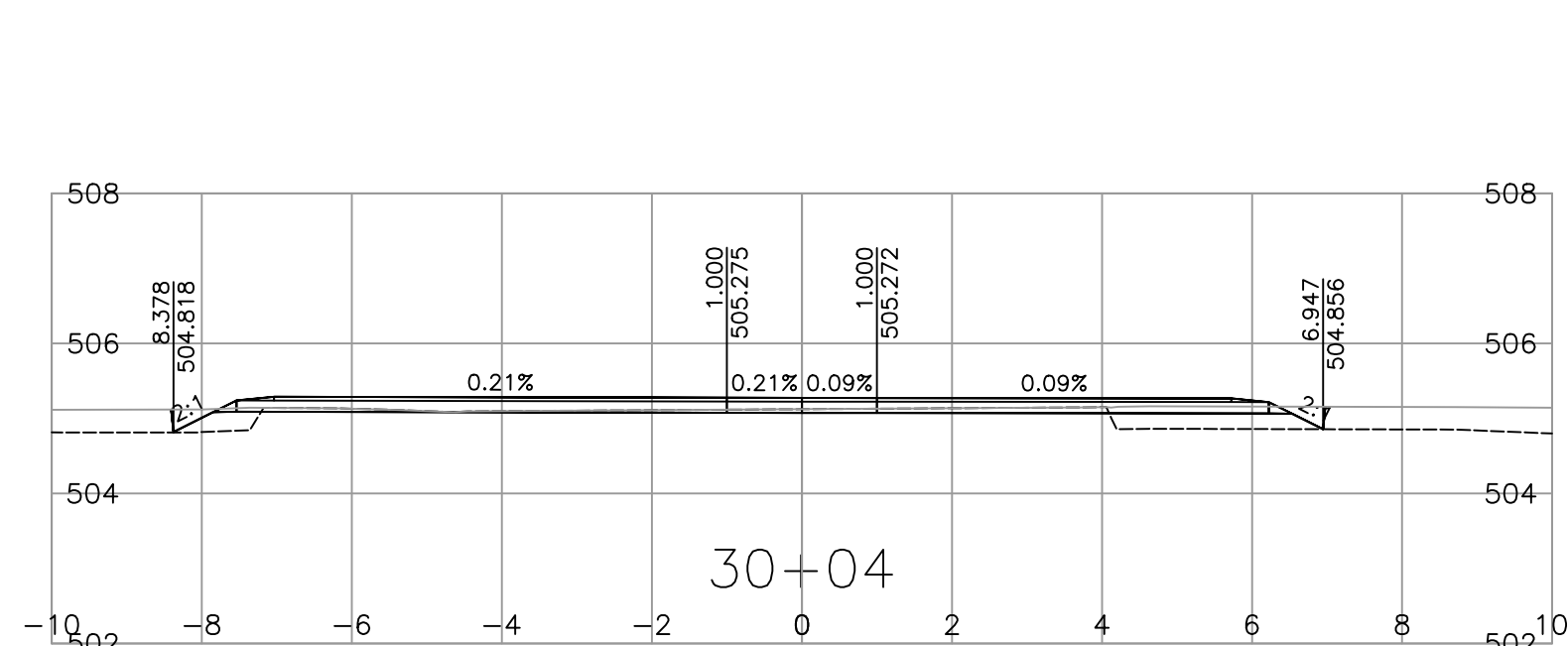
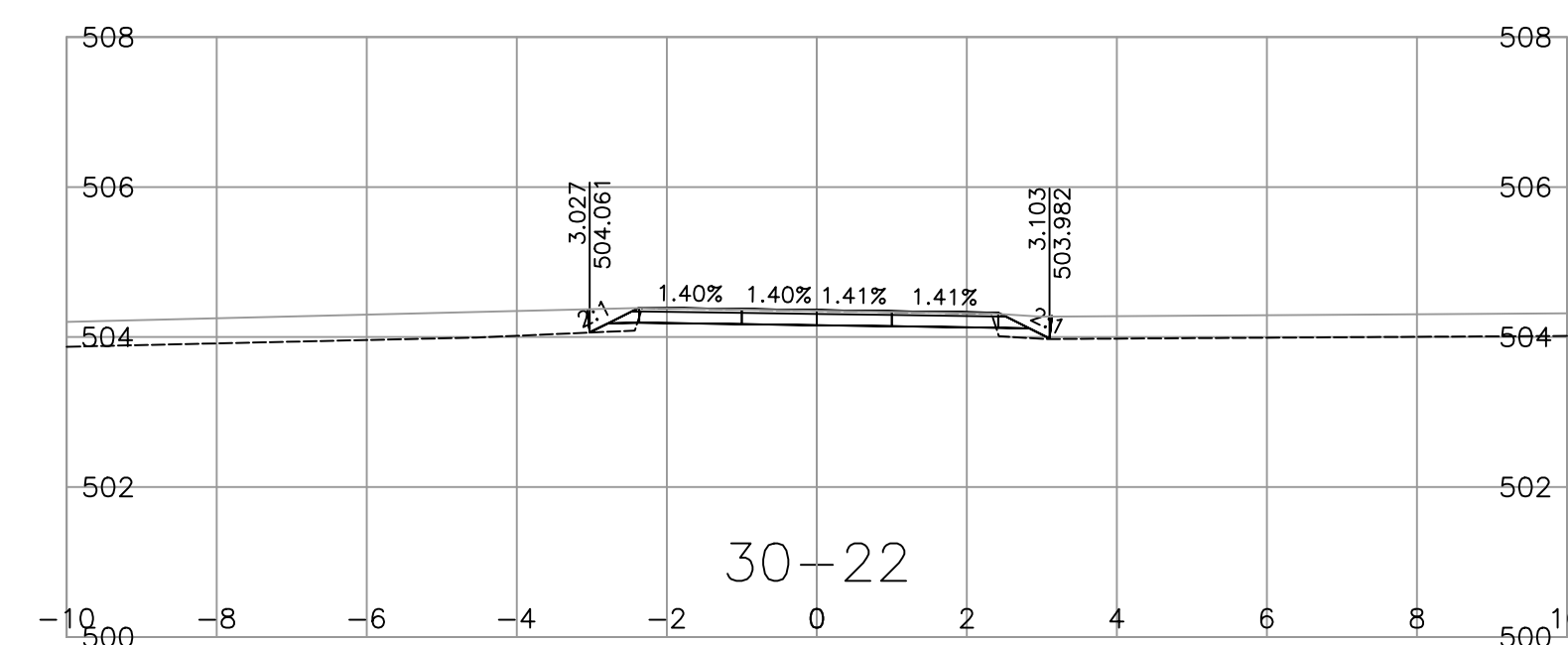
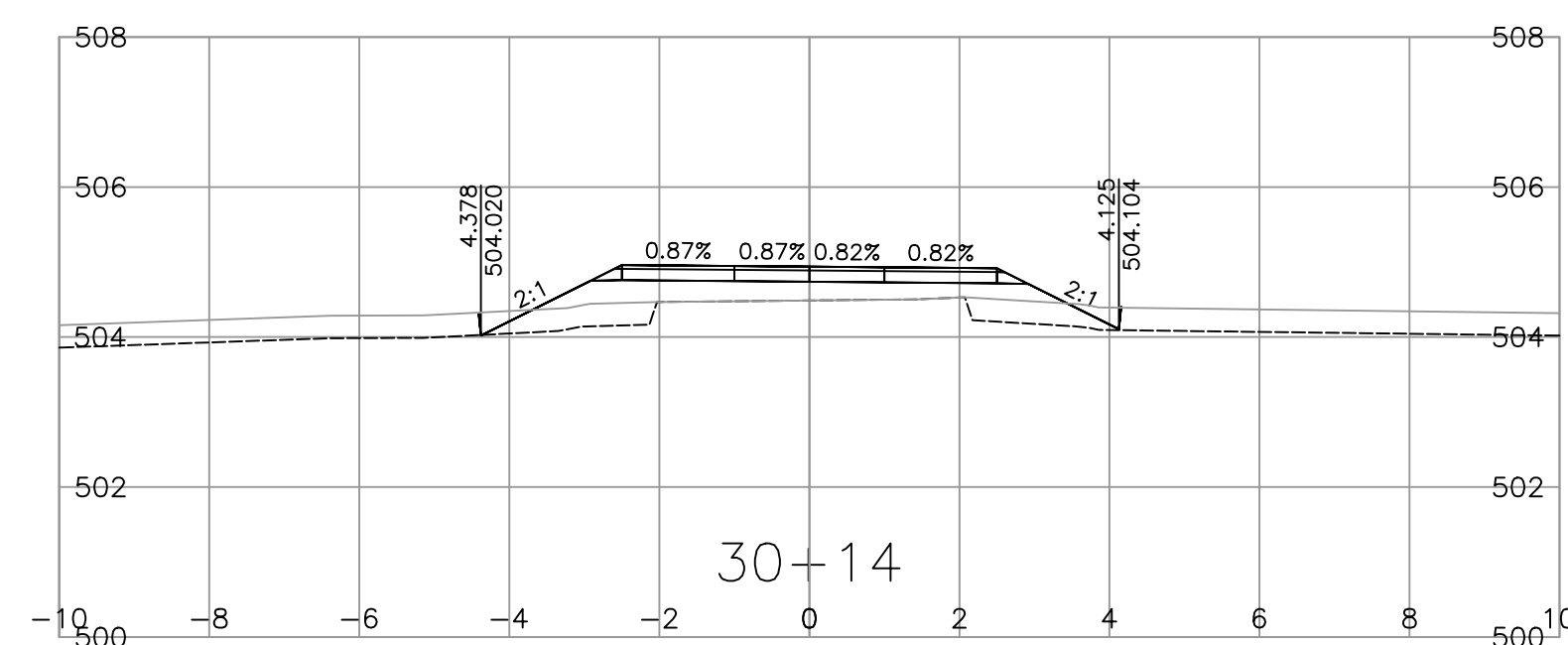
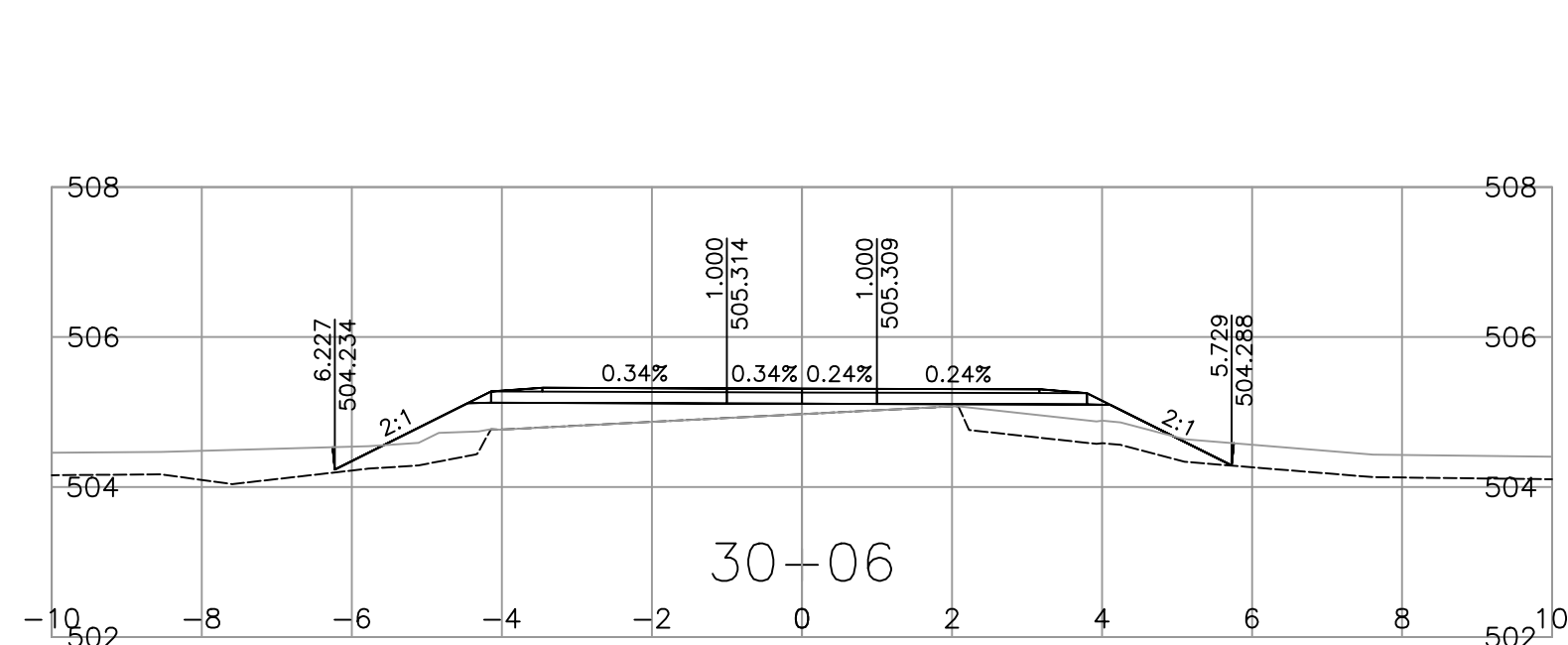
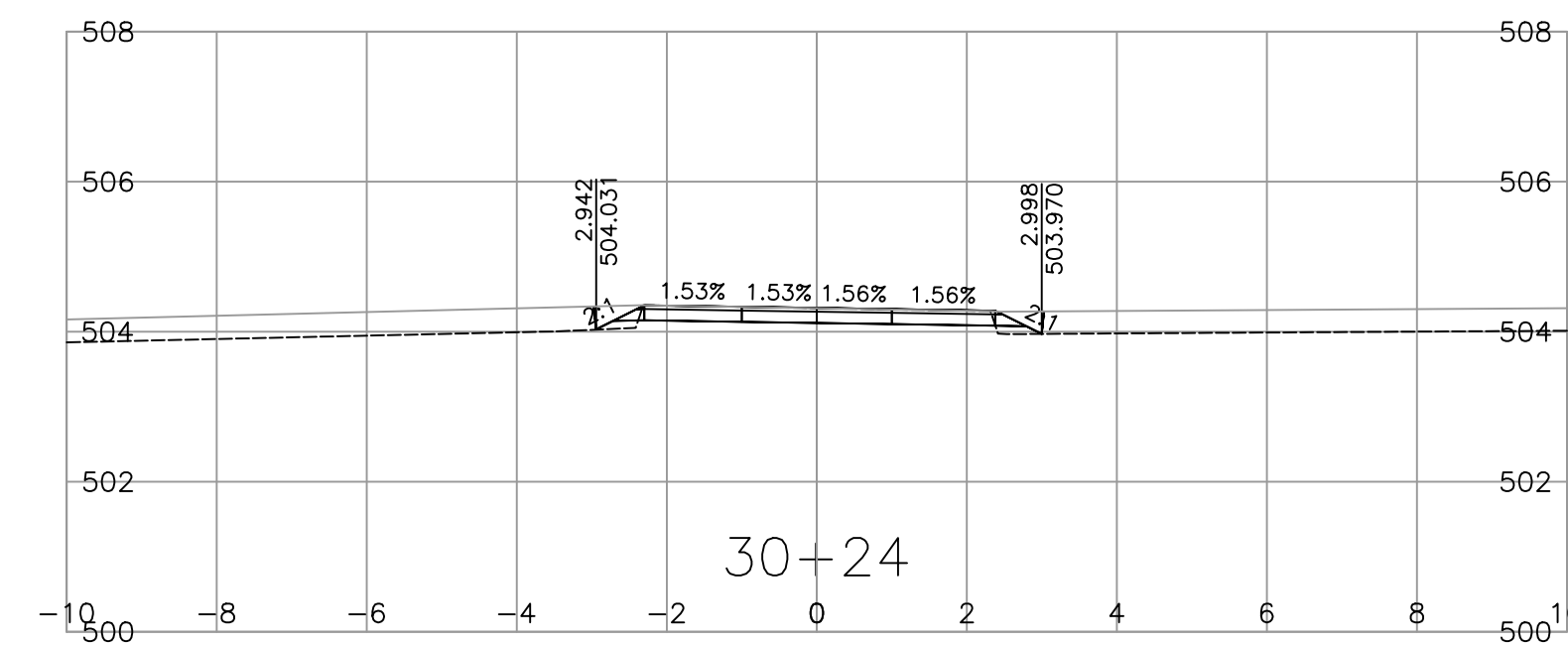
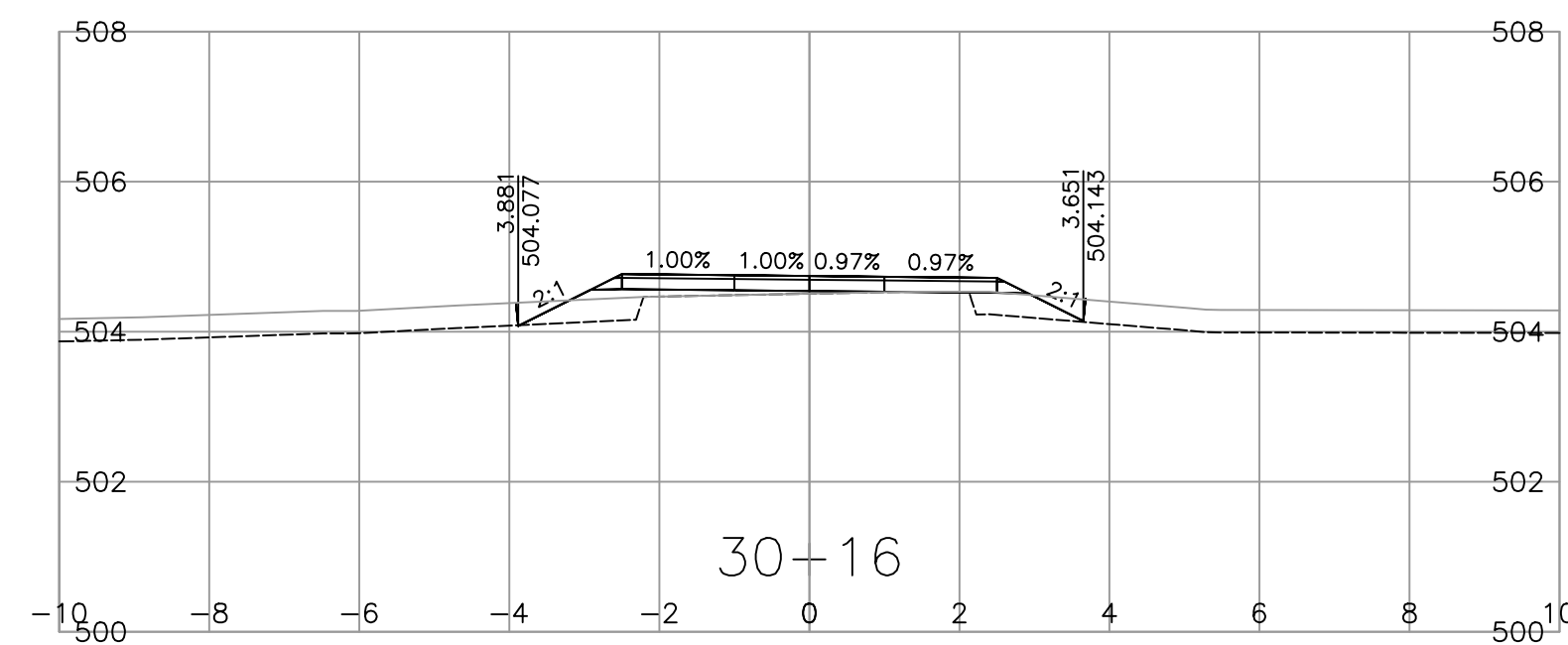
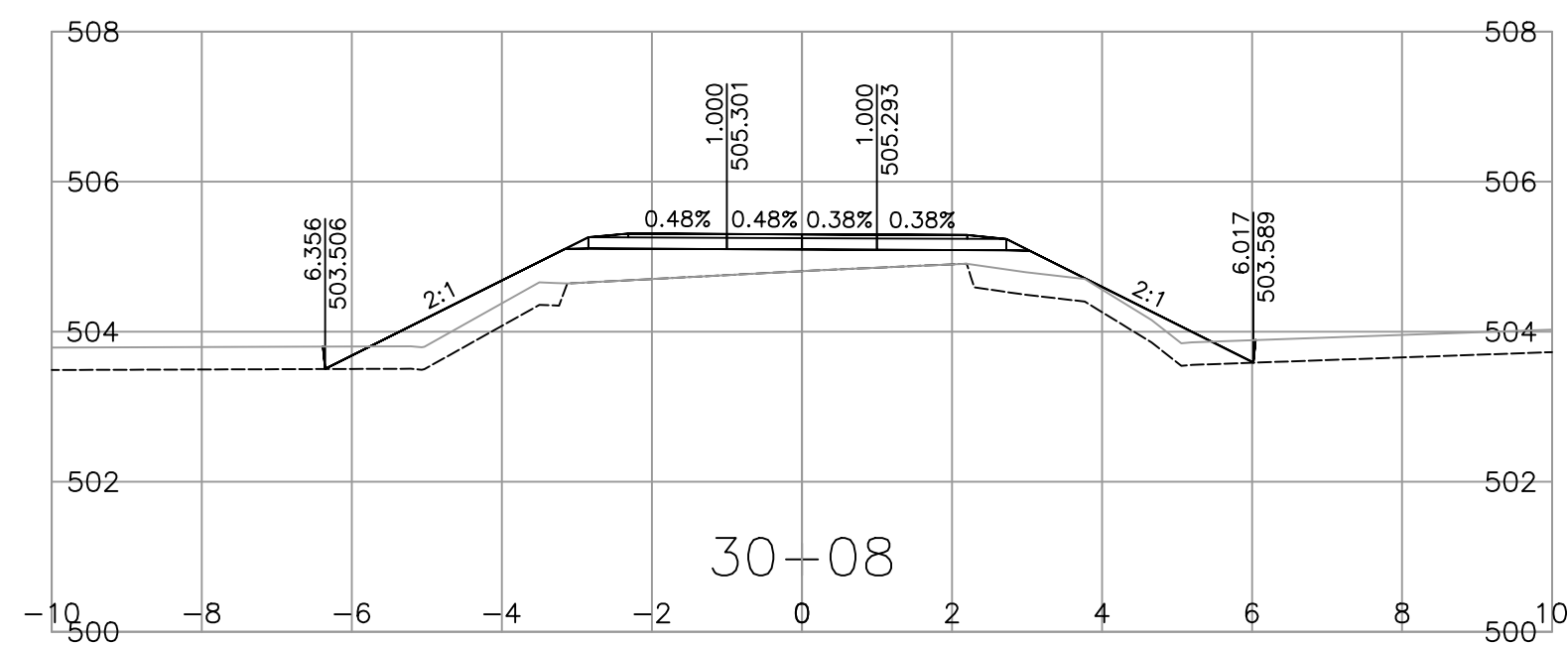
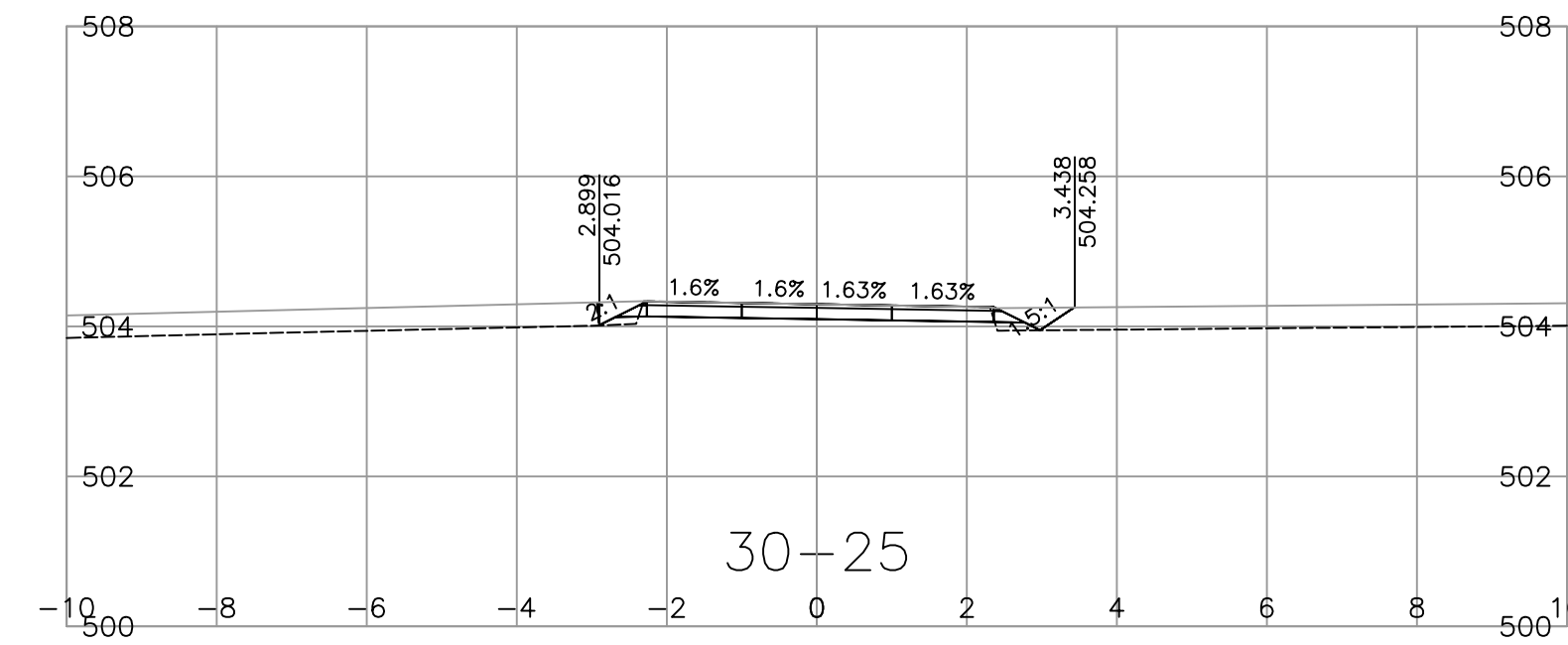
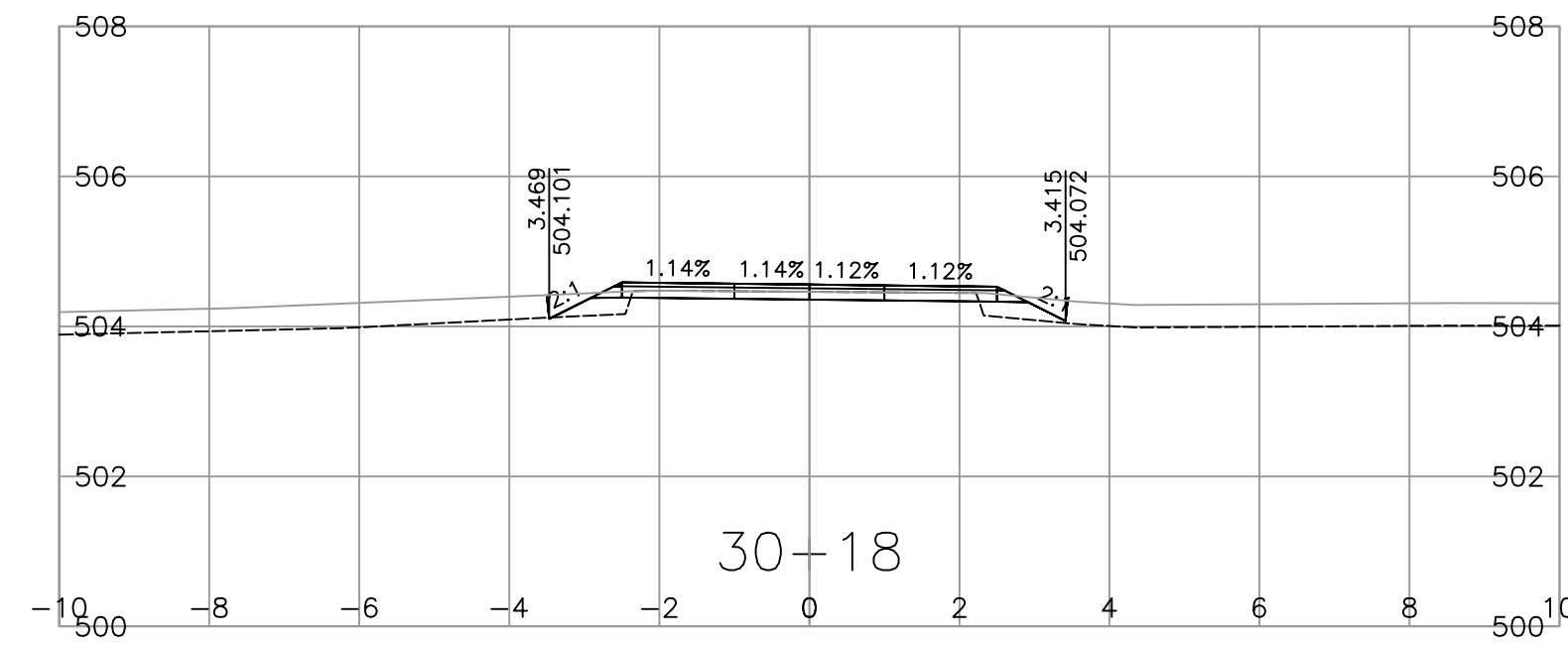
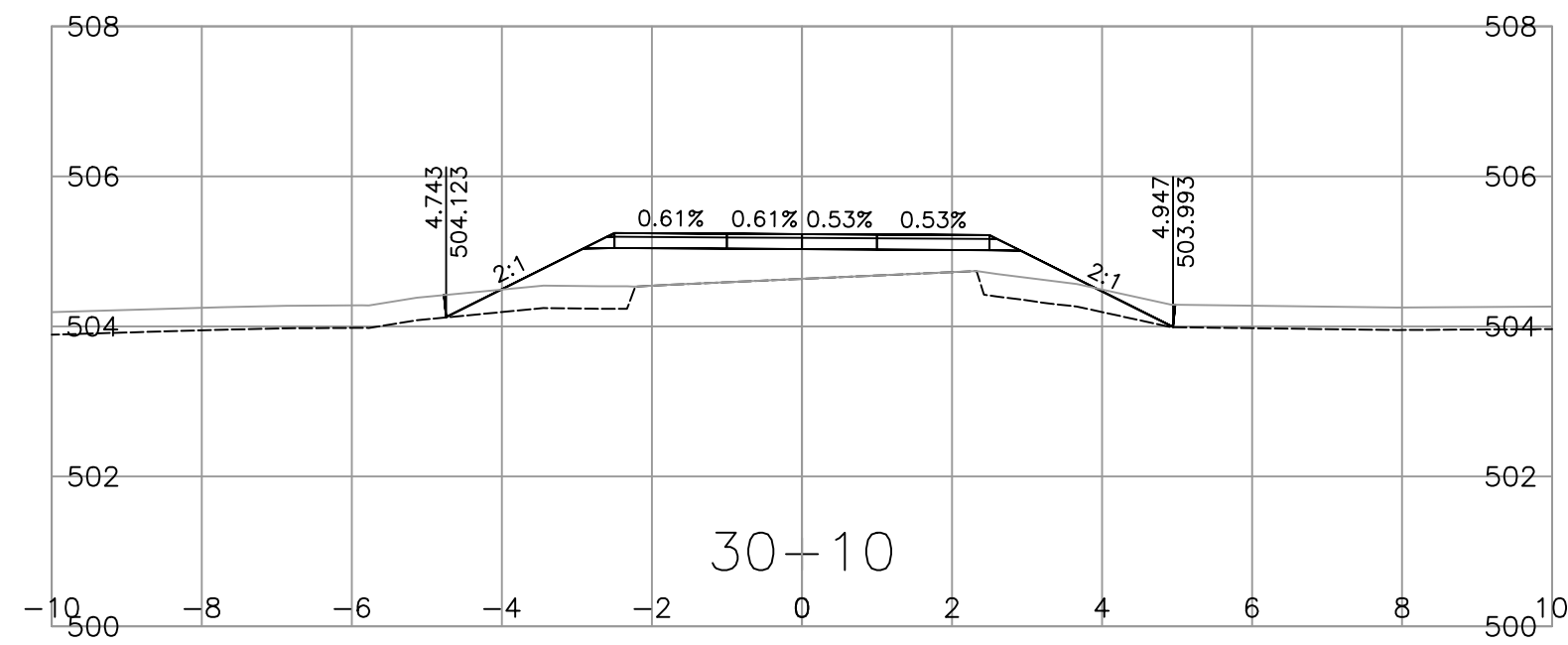
DALY BRIDGE No. 06489 REPLACEMENT
CREIGHTON VALLEY ROAD
L100B

FILE NUMBER	PROJECT NUMBER	REG	DRAWING NUMBER	REV
	25311-0000	2	R2-1182-1008	

FOR REFERENCE ONLY



PLOT DATE: 2023/05/24 C:\pwworking\civil3d\mns05075\1000_XSECT_DW2_DW5.dwg



SCALE 0 1 1:100 5m

CAD FILENAME: 1000_XSECT_DW2_DW5

PLOT DATE

REV	DATE	REVISIONS	NAME

BRITISH COLUMBIA

MINISTRY OF TRANSPORTATION AND INFRASTRUCTURE
SOUTHERN INTERIOR REGION

DESIGNED K. MANN DATE 2023-03-07

QUALITY CONTROL R. STRUTHERS DATE 2023-03-07

QUALITY ASSURANCE R. FOXTON DATE 2023-03-07

DRAWN K. MANN DATE 2023-03-07

ENGINEER OF RECORD _____

DATE _____

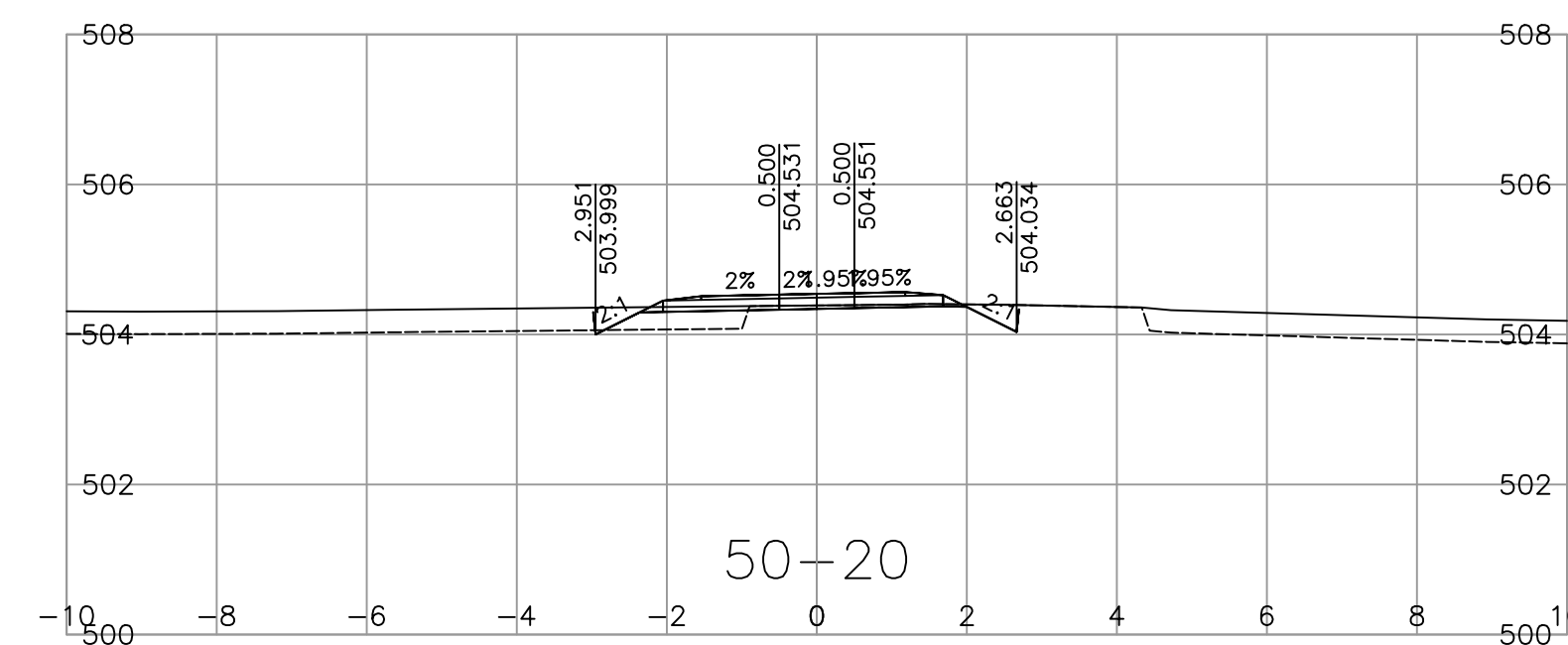
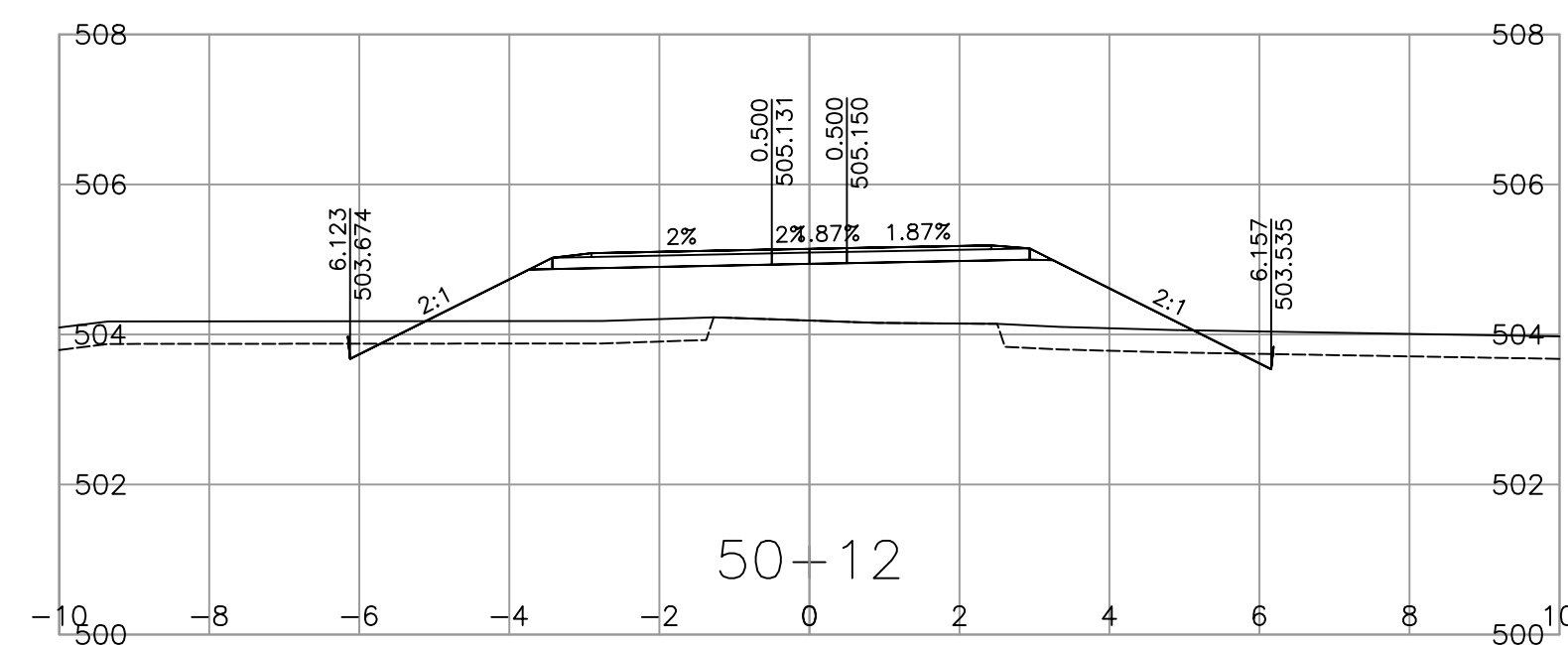
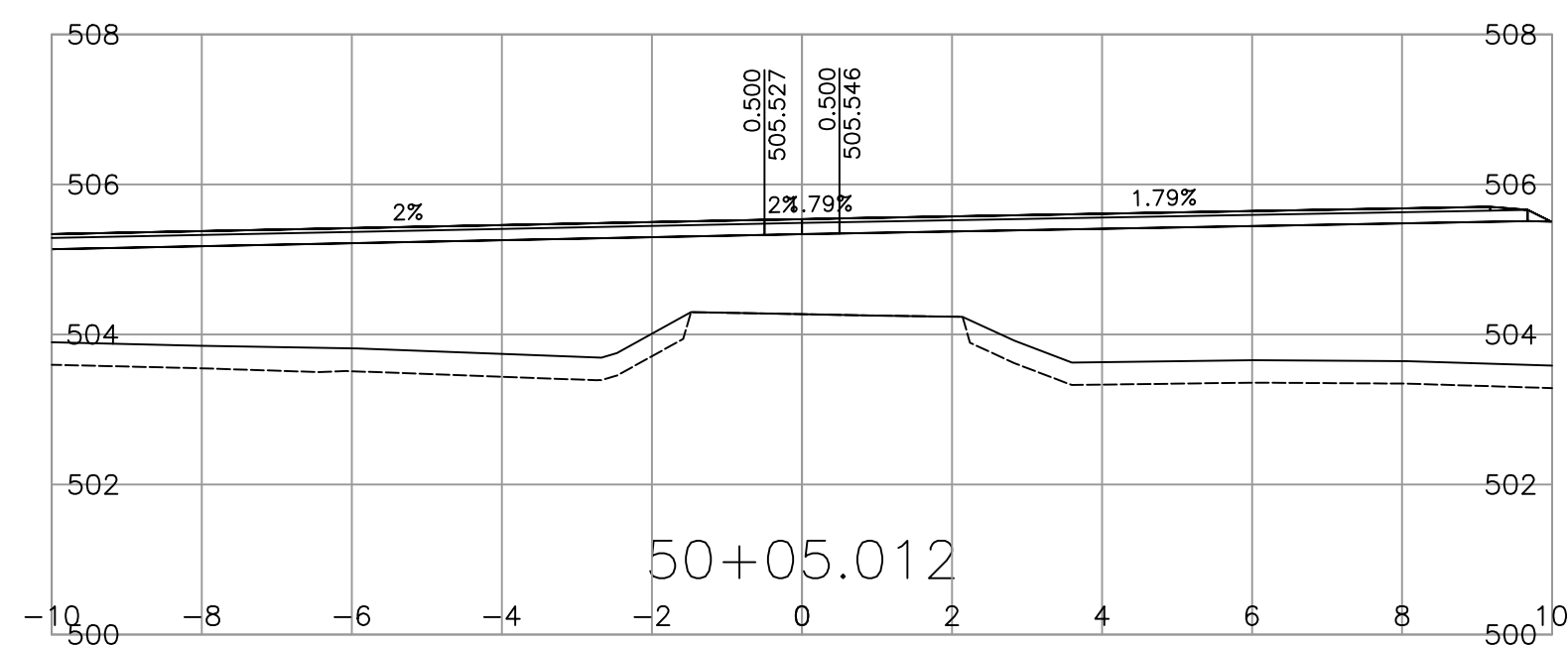
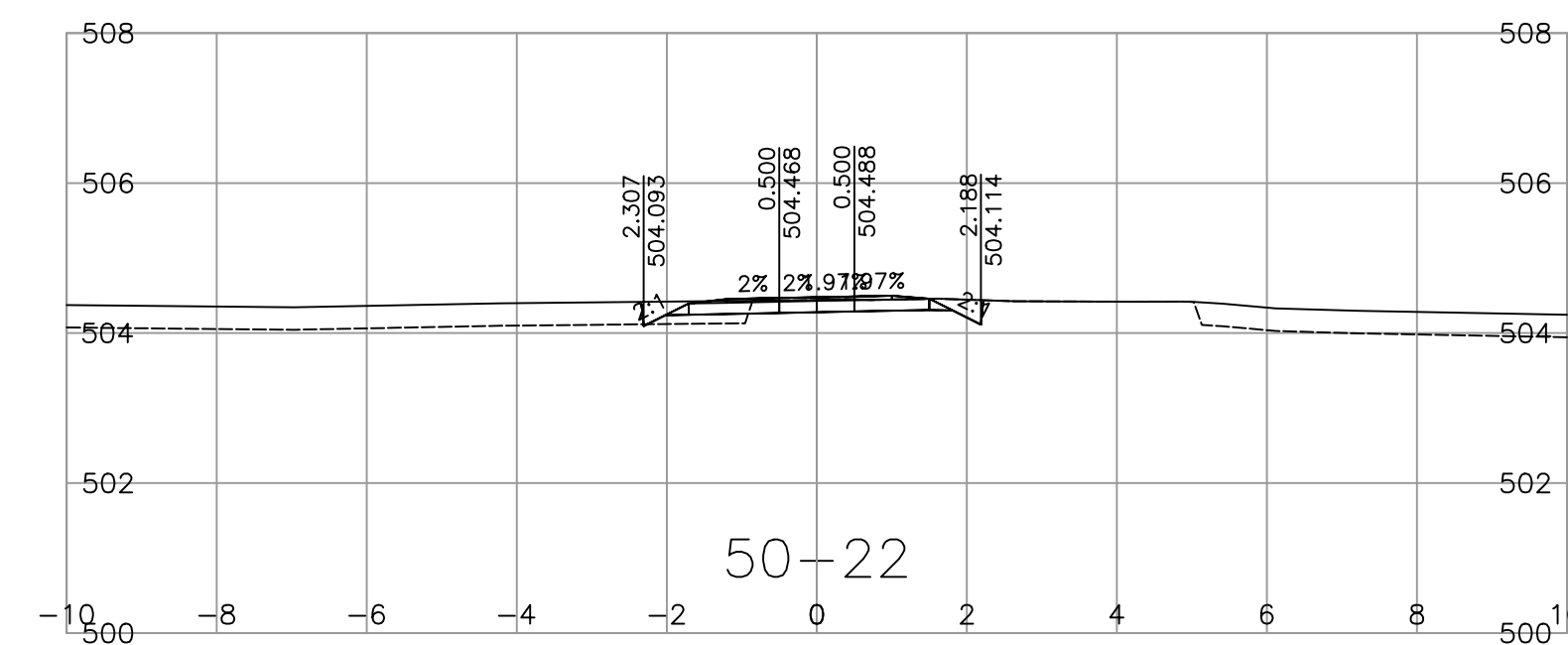
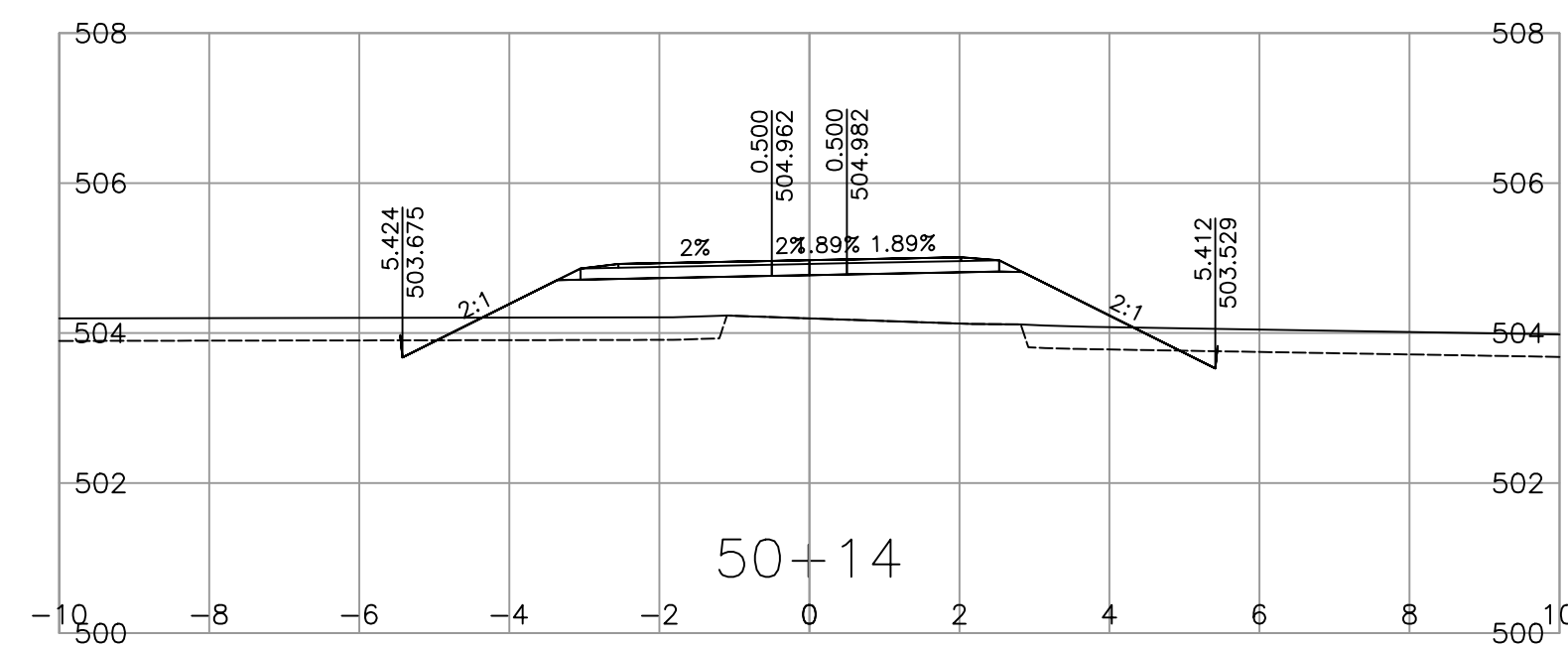
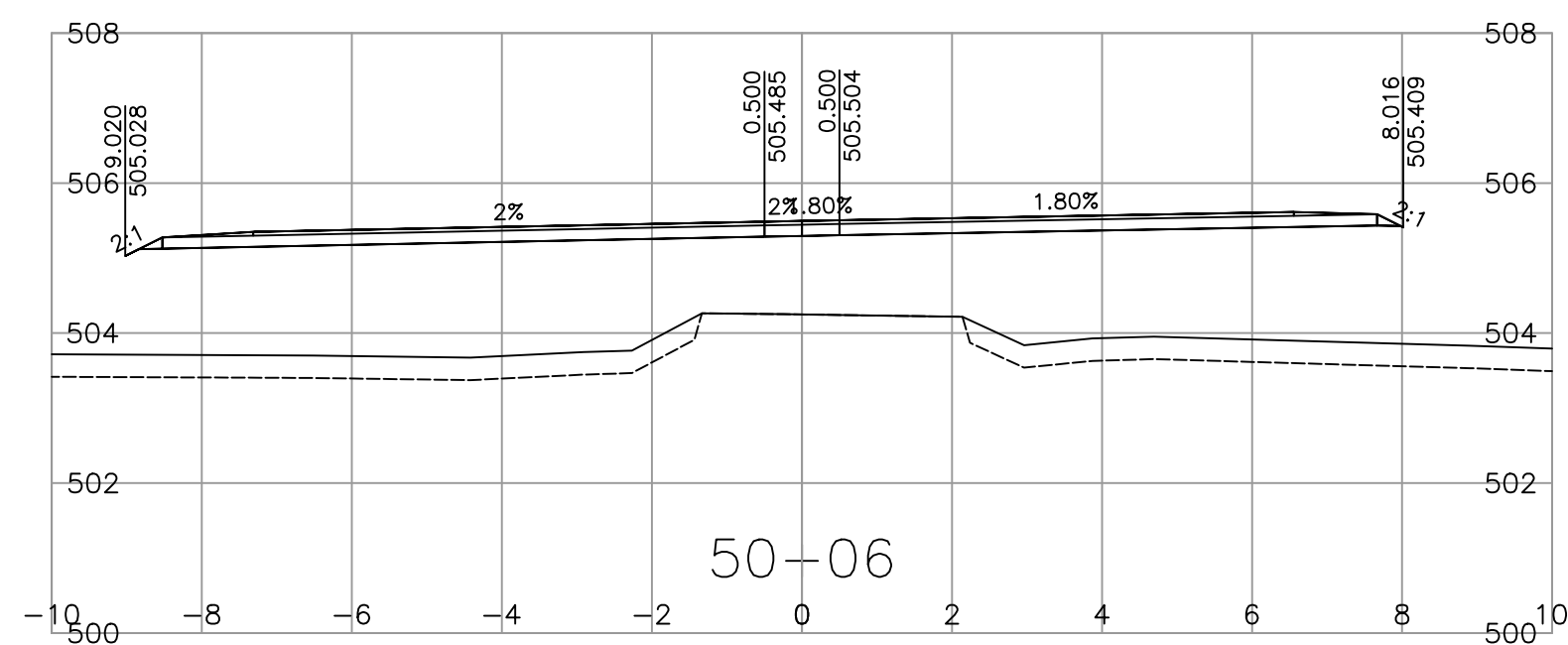
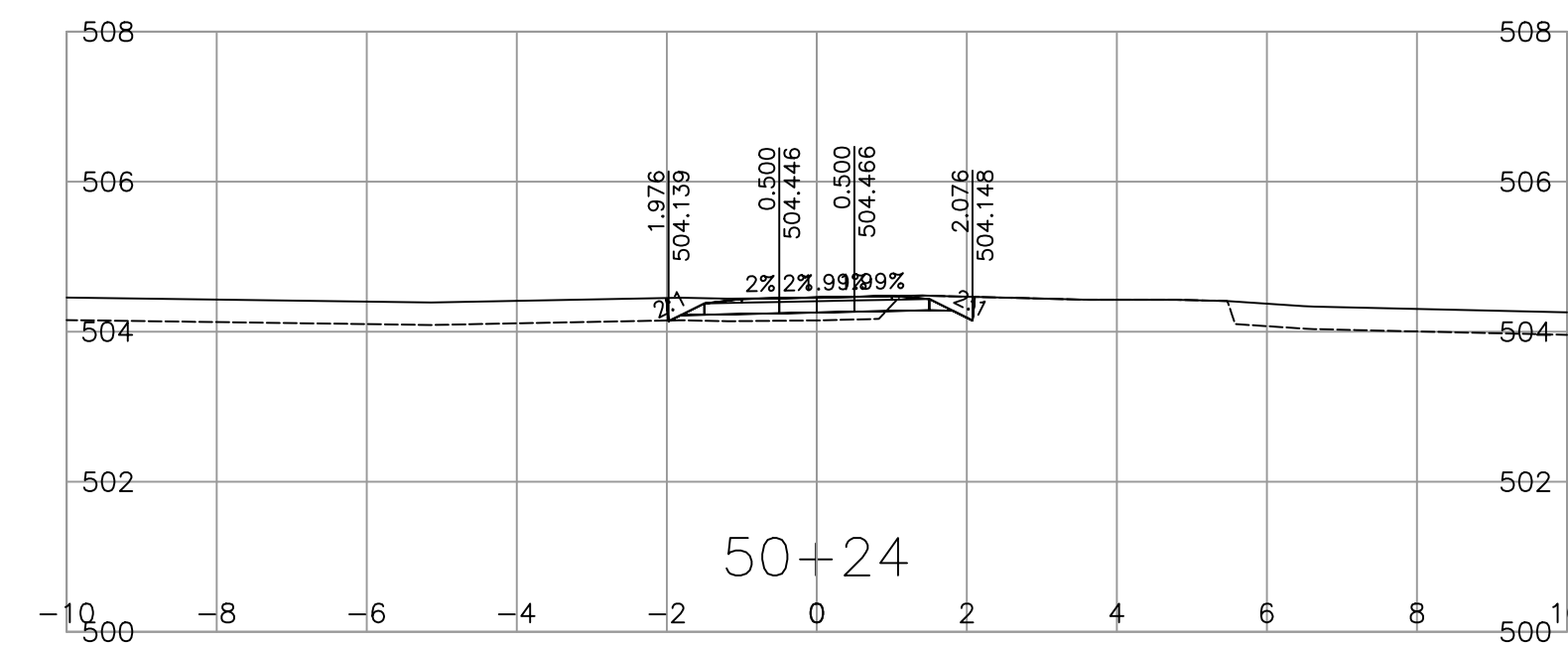
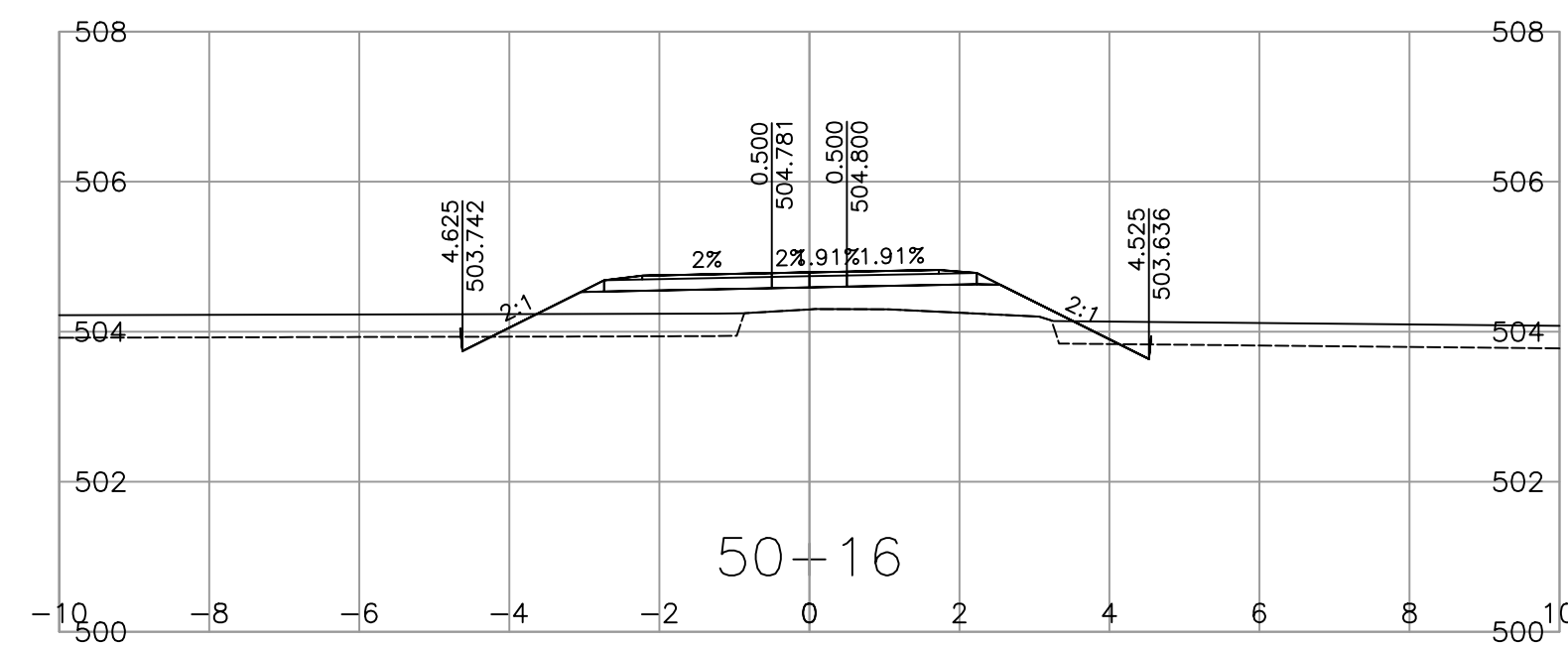
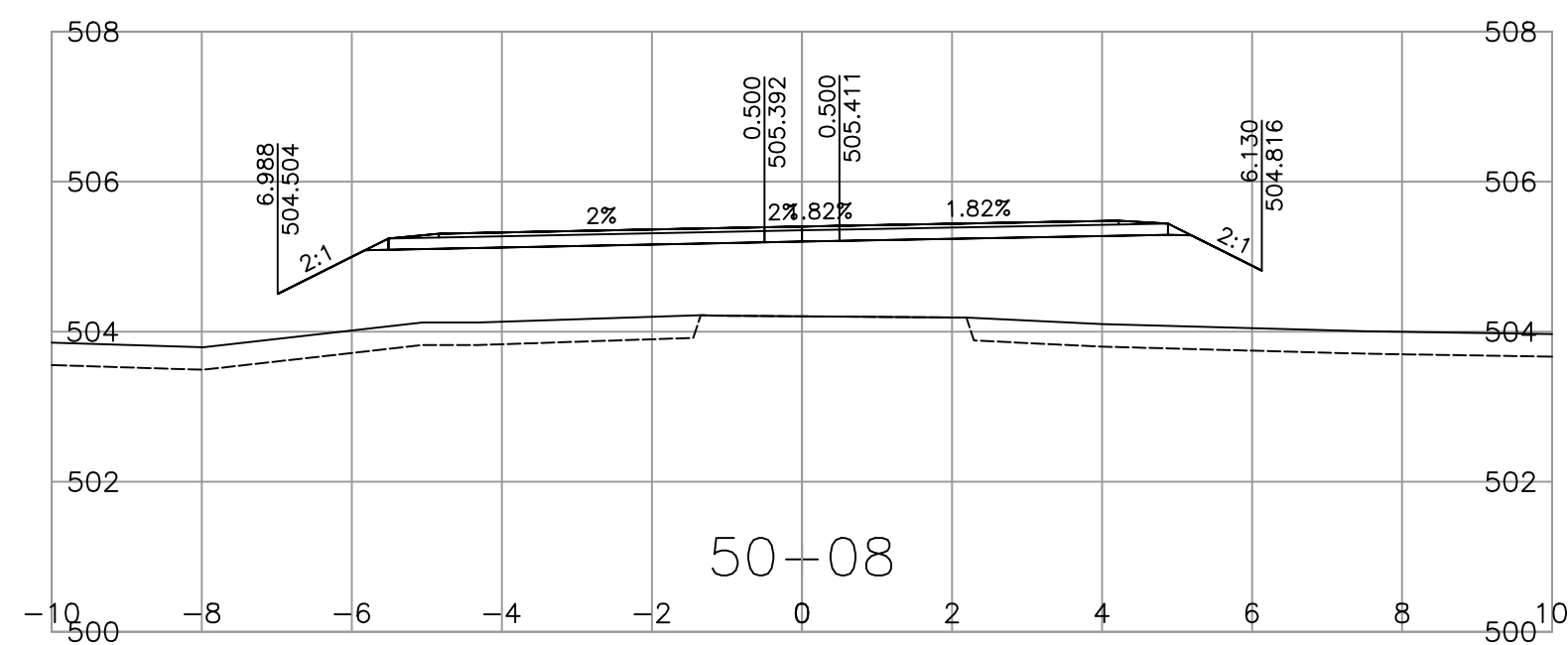
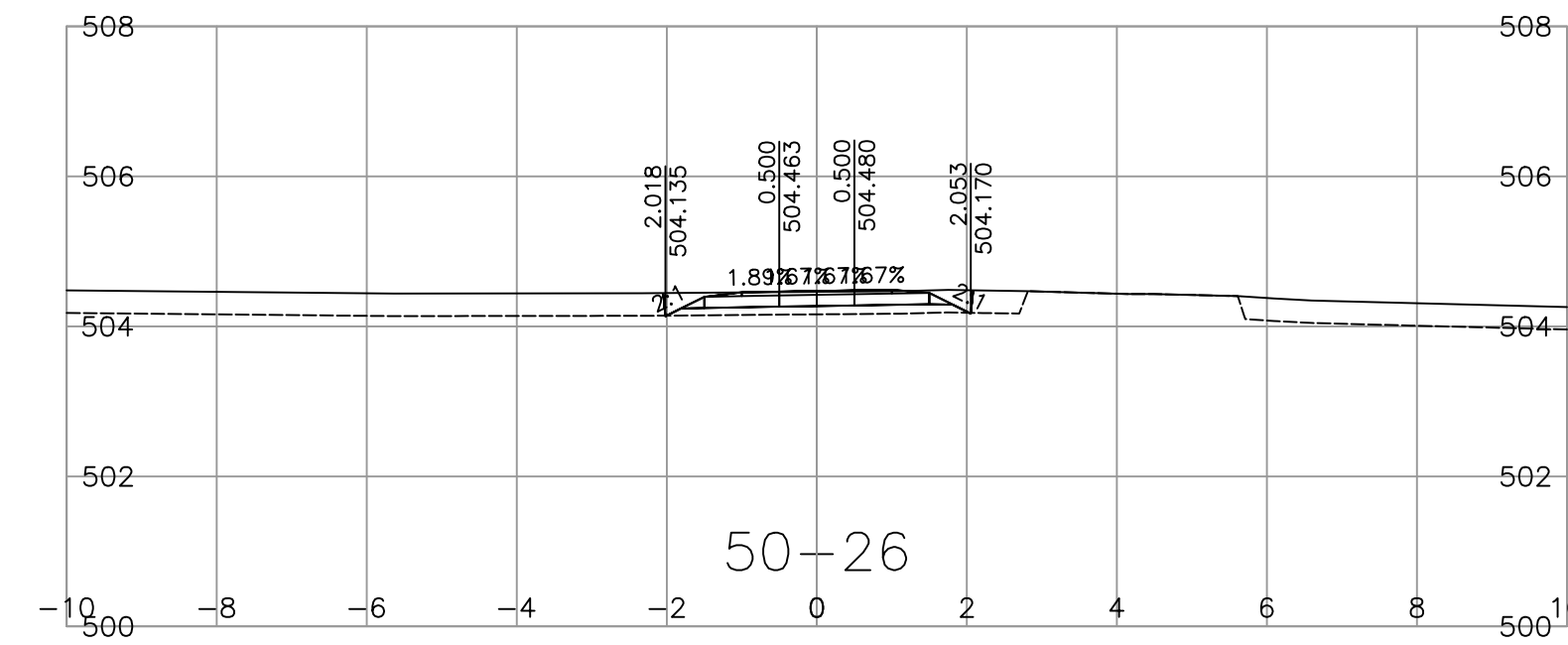
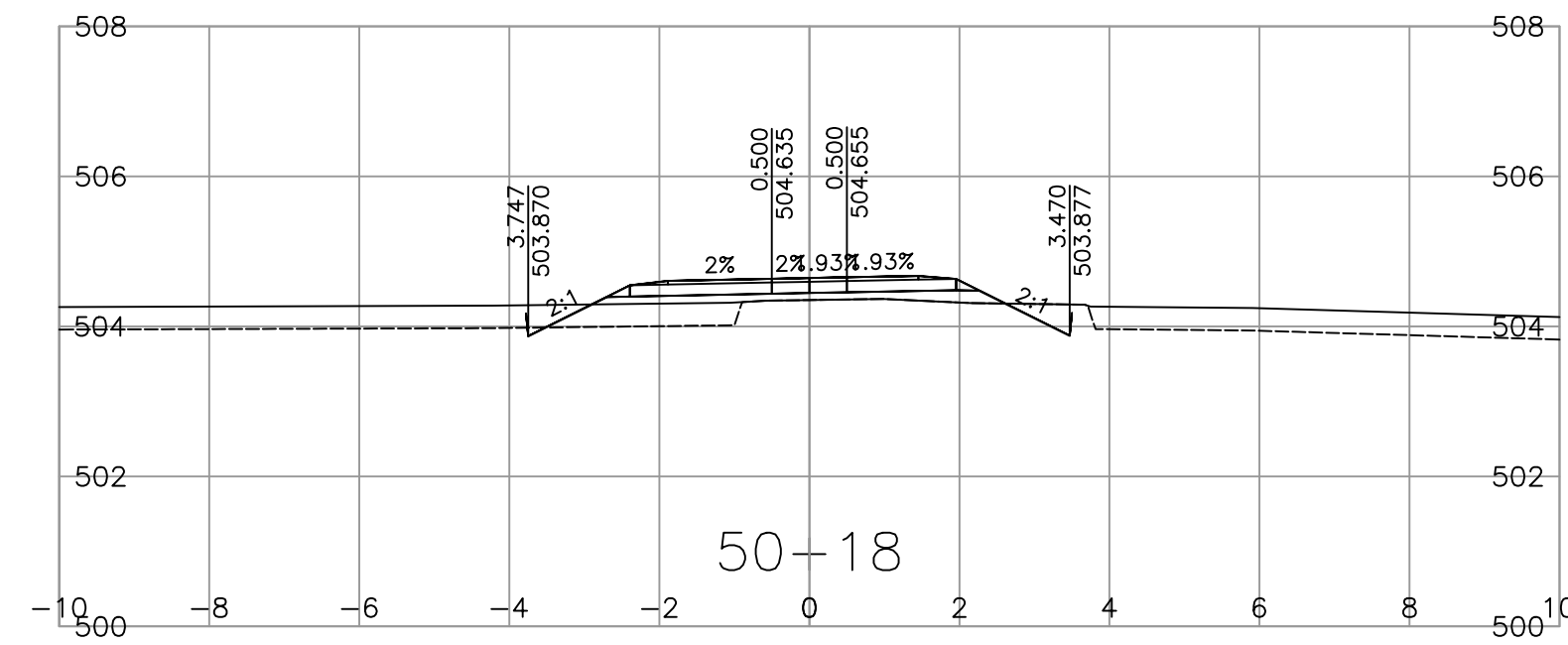
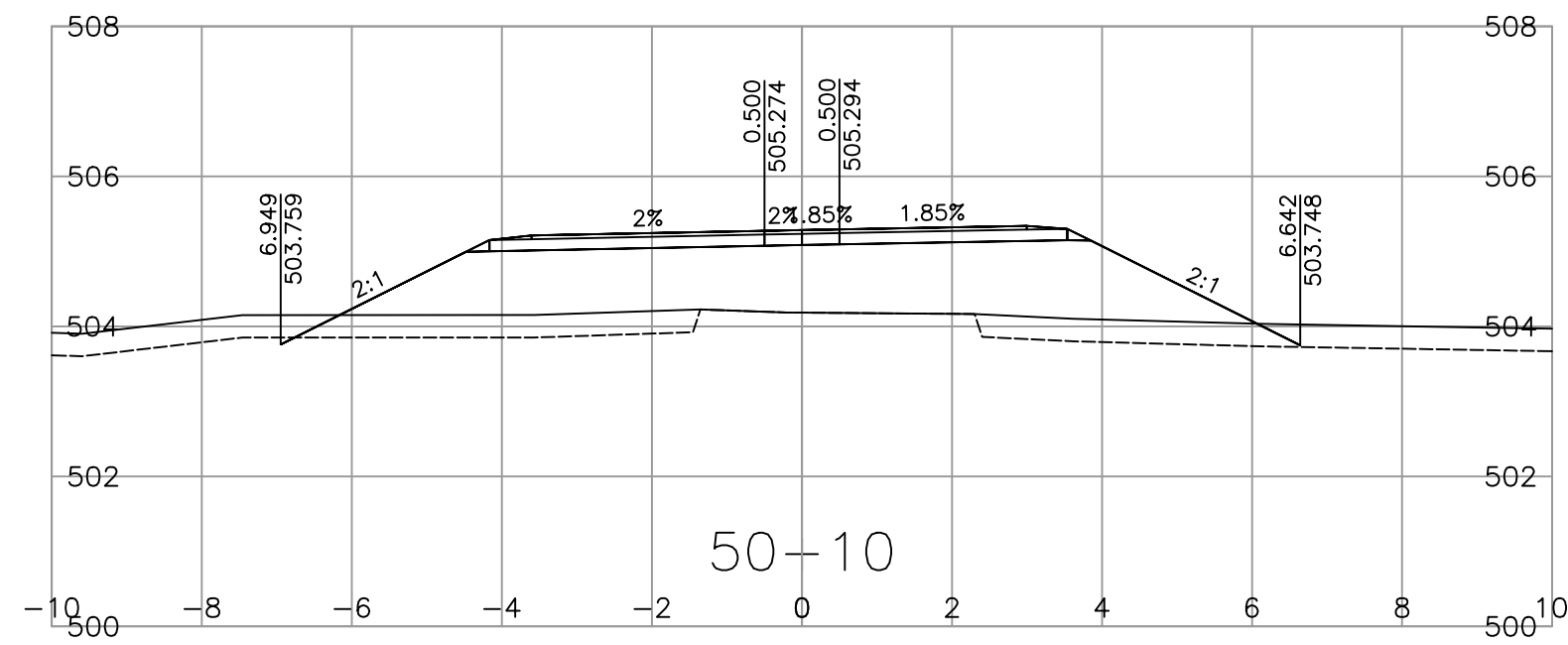
CROSS SECTIONS
DALY BRIDGE No. 06489 REPLACEMENT
CREIGHTON VALLEY ROAD
DW2
STA. 30+04.000 to STA. 30+25.000

FILE NUMBER	PROJECT NUMBER	REG	DRAWING NUMBER	REV
	25311-0000	2	R2-1182-1009	

FOR REFERENCE ONLY



PLOT DATE: 2023/05/24 C:\p\working\civil3d\mns05075\1000_XSECT_DW2_DW5.dwg



SCALE 0 1 1:100 5m

CAD FILENAME: 1000_XSECT_DW2_DW5

PLOT DATE

REV	DATE	REVISIONS	NAME

BRITISH COLUMBIA

MINISTRY OF TRANSPORTATION AND INFRASTRUCTURE

SOUTHERN INTERIOR REGION

DESIGNED K.MANN DATE 2023-03-07

QUALITY CONTROL R.STRUTHERS DATE 2023-03-07

QUALITY ASSURANCE R.FOXTON DATE 2023-03-07

DRAWN K.MANN DATE 2023-03-07

ENGINEER OF RECORD

DATE

CROSS SECTIONS

DALY BRIDGE No. 06489 REPLACEMENT

CREIGHTON VALLEY ROAD

DW5

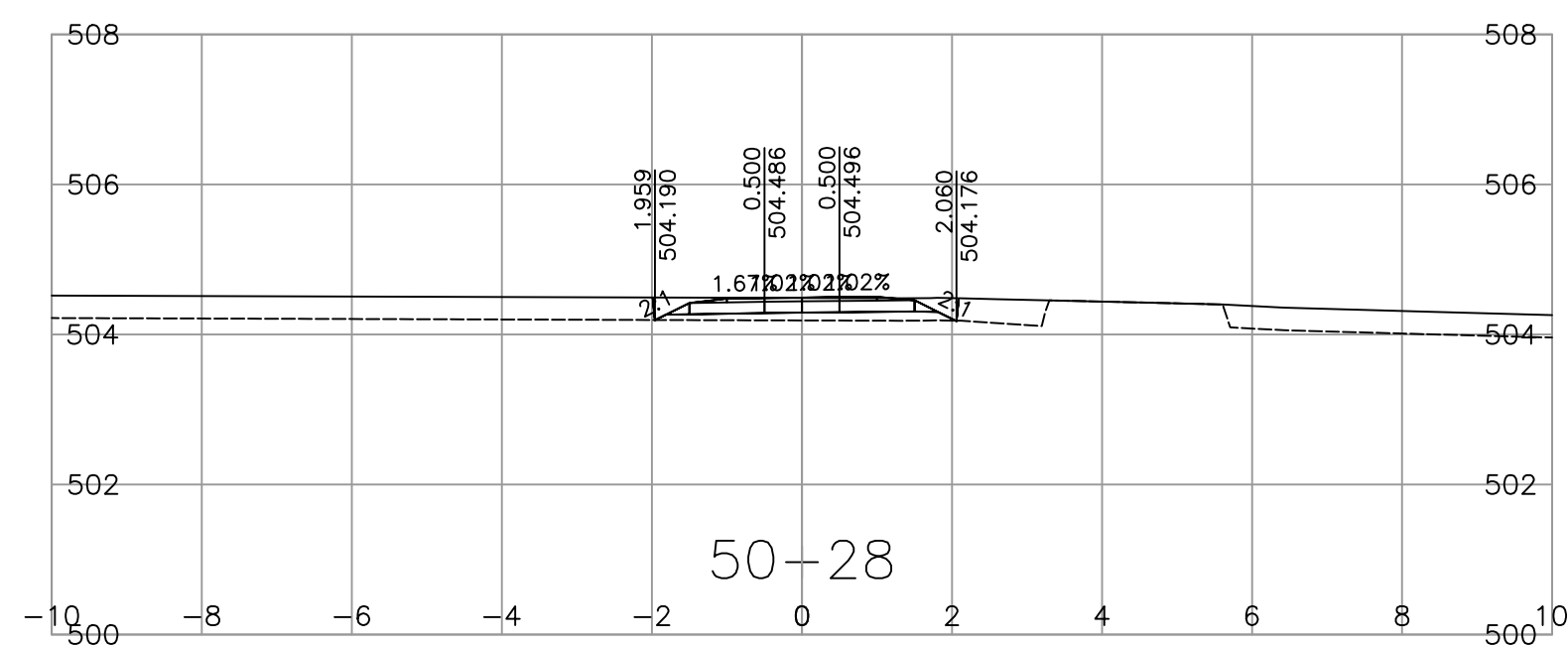
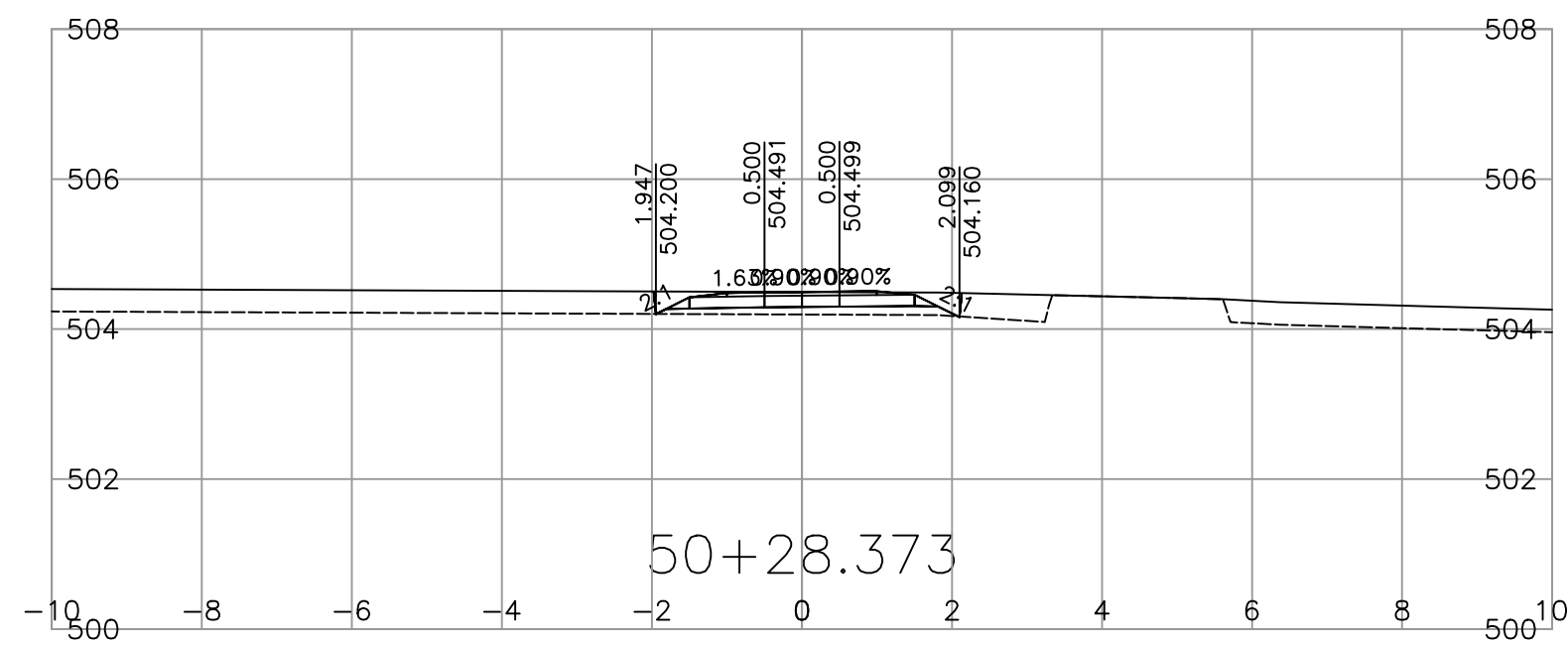
STA. 50+05.012 to STA. 50+26.000

FILE NUMBER	PROJECT NUMBER	REG	DRAWING NUMBER	REV
	25311-0000	2	R2-1182-1010	

FOR REFERENCE ONLY



PLOT DATE: 2023/05/24 C:\pw_working\civil3d\dms05075\1000_XSECT_DW2_DW5.dwg



SCALE 1:100 5m

CAD FILENAME: 1000_XSECT_DW2_DW5
PLOT DATE _____

REV	DATE	REVISIONS	NAME

BRITISH COLUMBIA
MINISTRY OF TRANSPORTATION AND INFRASTRUCTURE
SOUTHERN INTERIOR REGION

DESIGNED K. MANN DATE 2023-03-07
QUALITY CONTROL R. STRUTHERS DATE 2023-03-07
QUALITY ASSURANCE R. FOXTON DATE 2023-03-07
DRAWN K. MANN DATE 2023-03-07

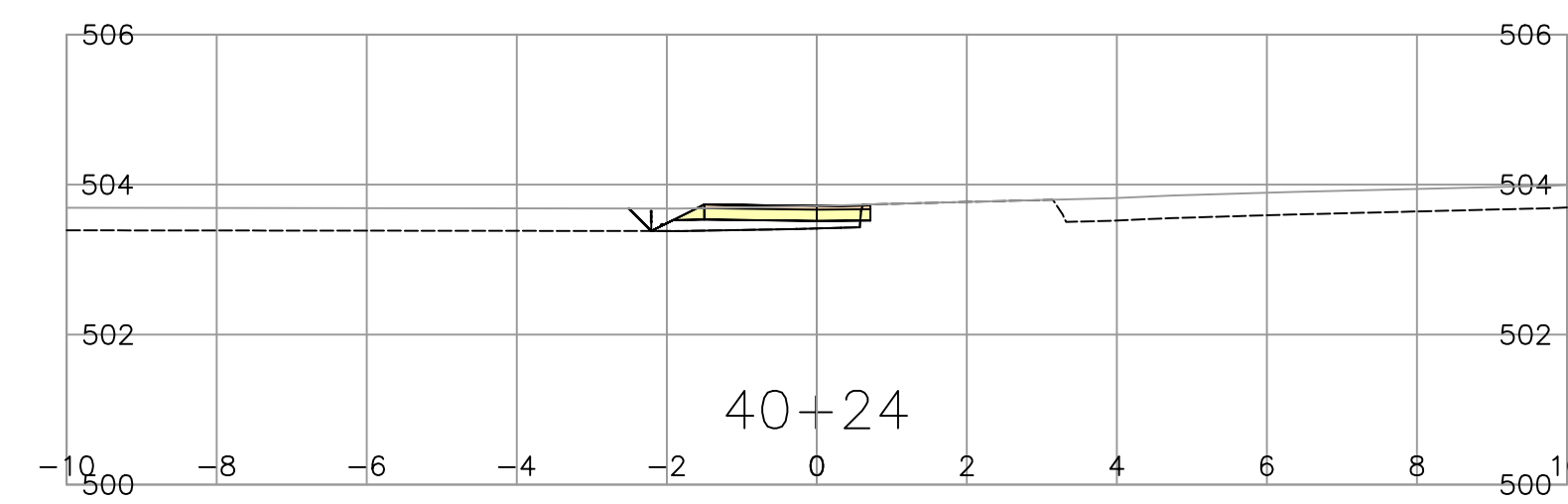
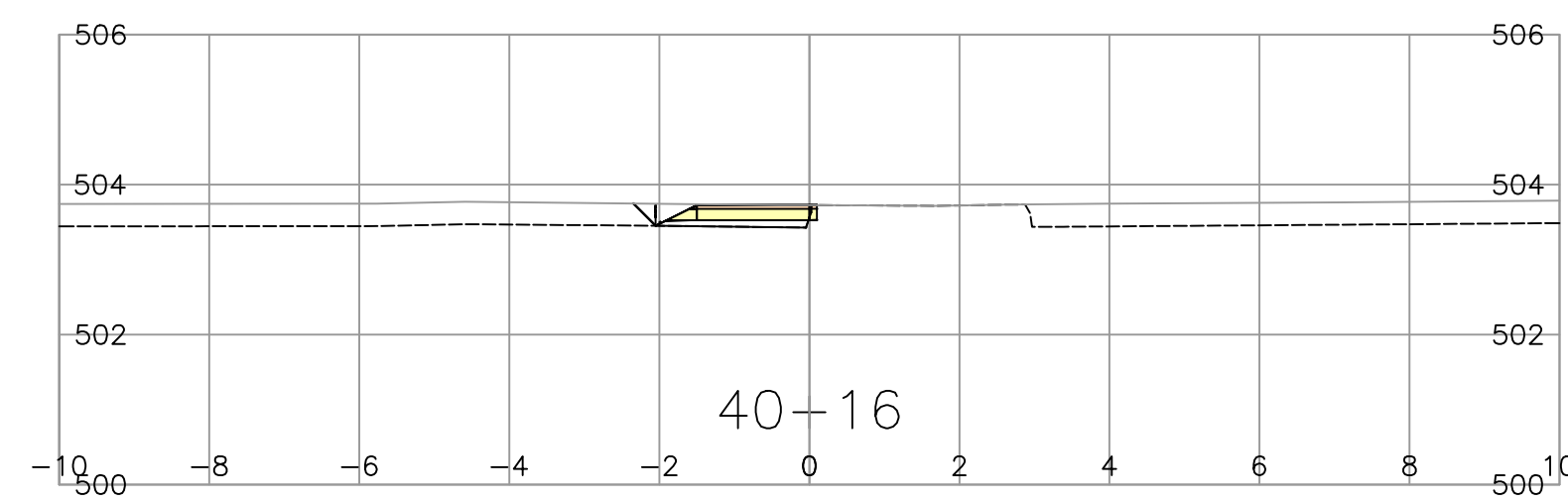
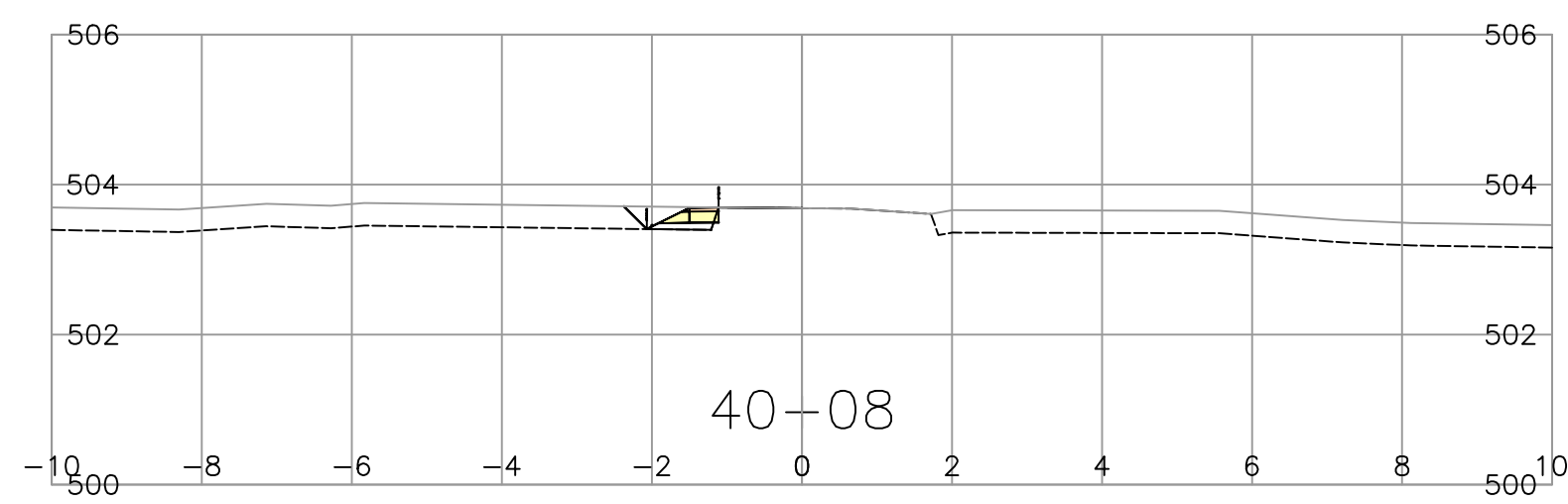
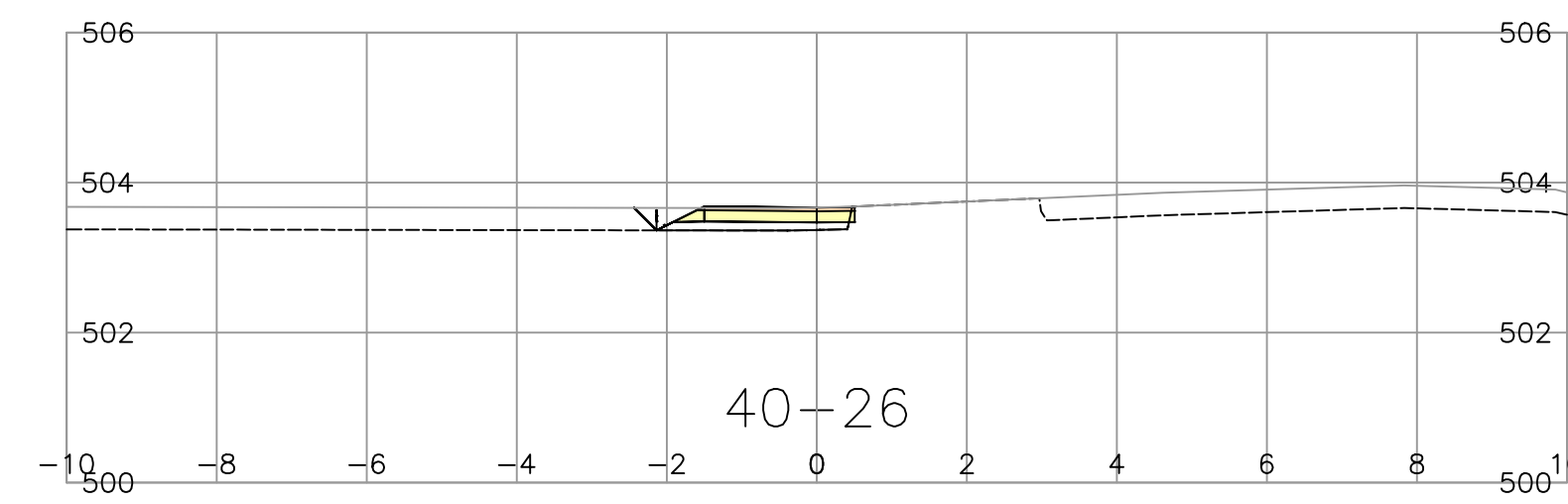
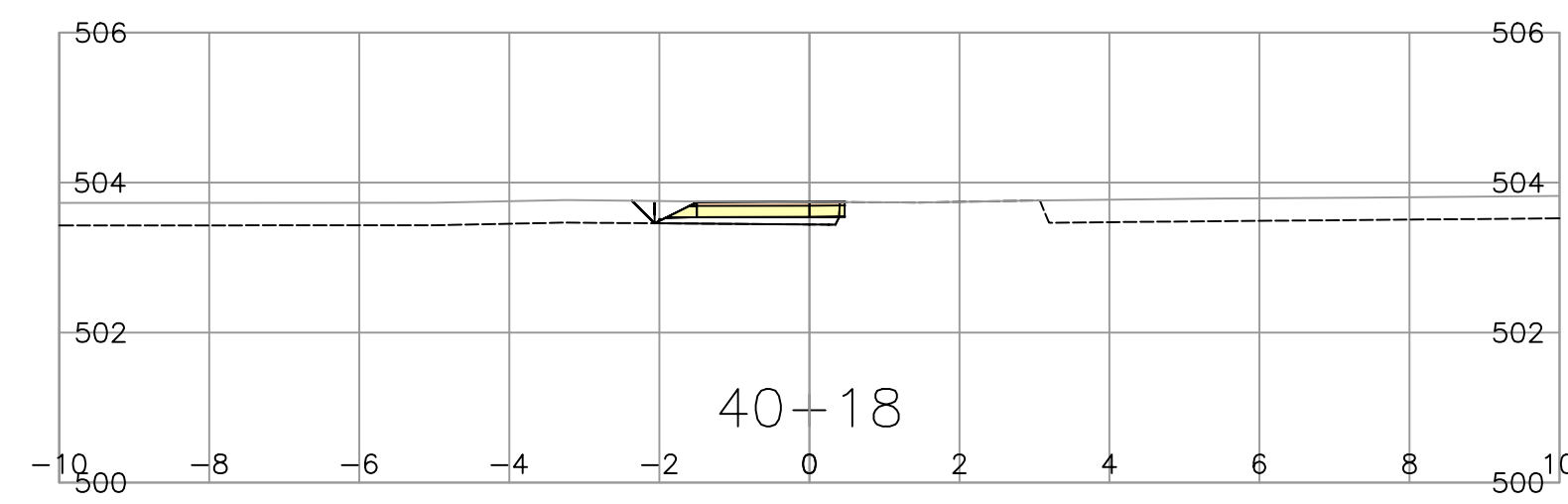
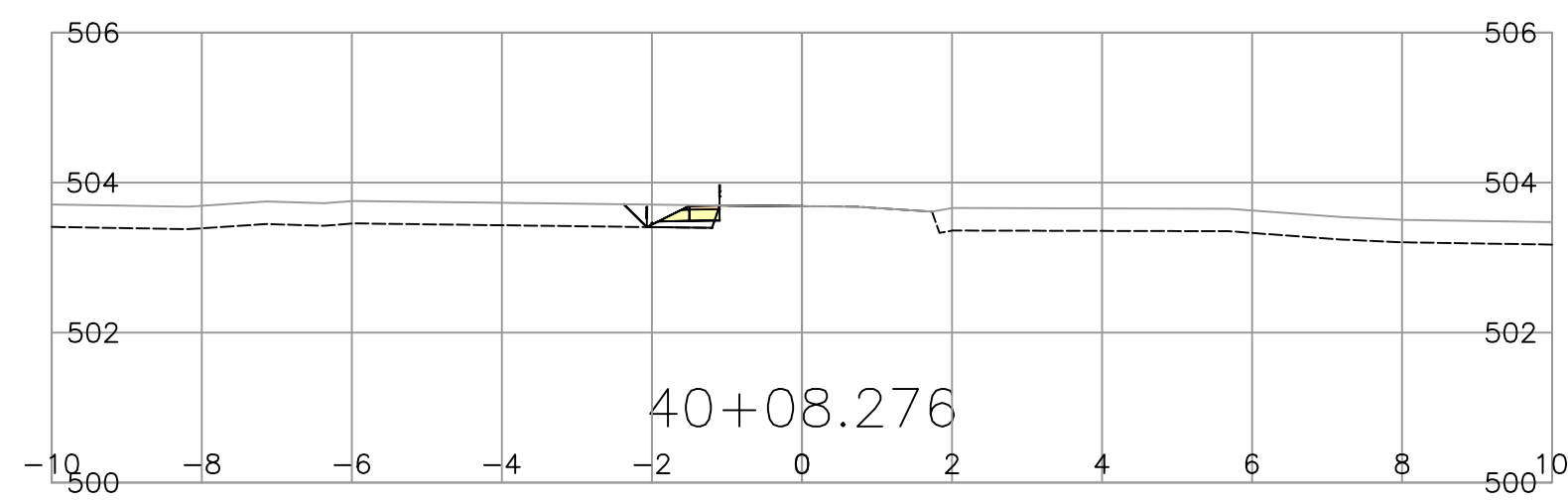
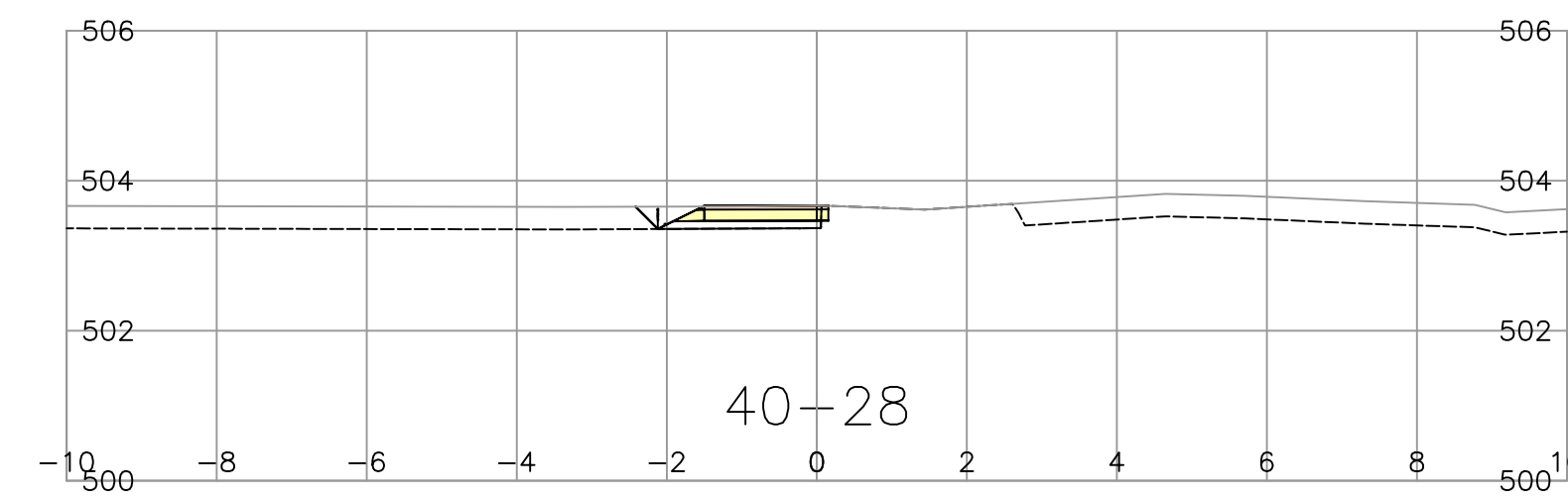
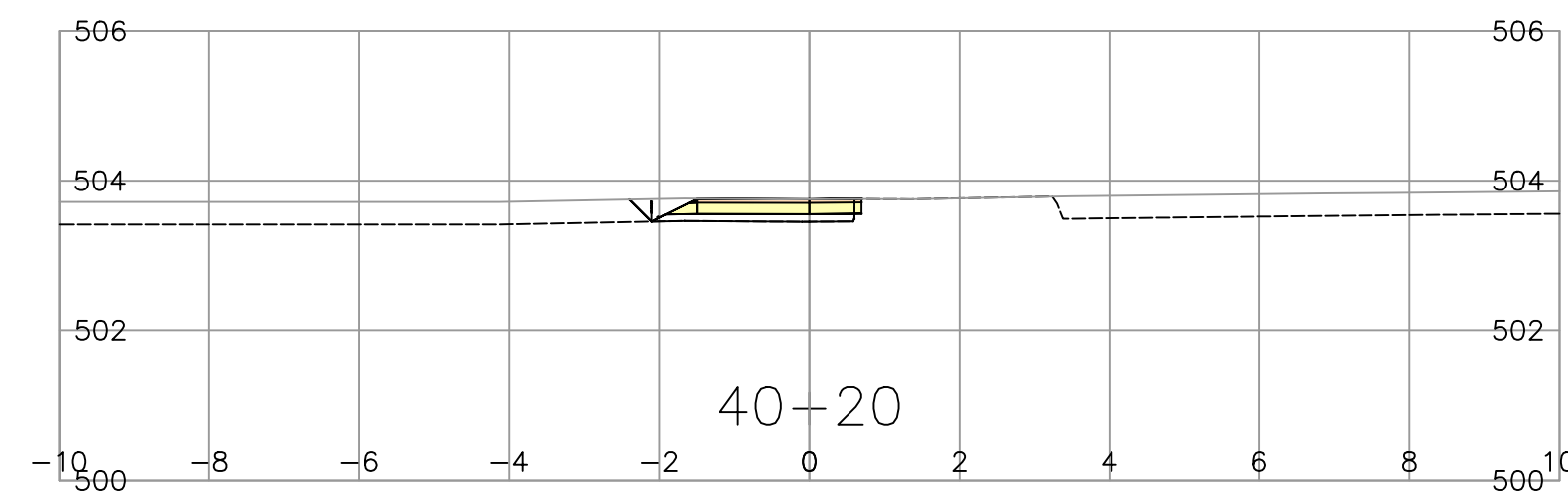
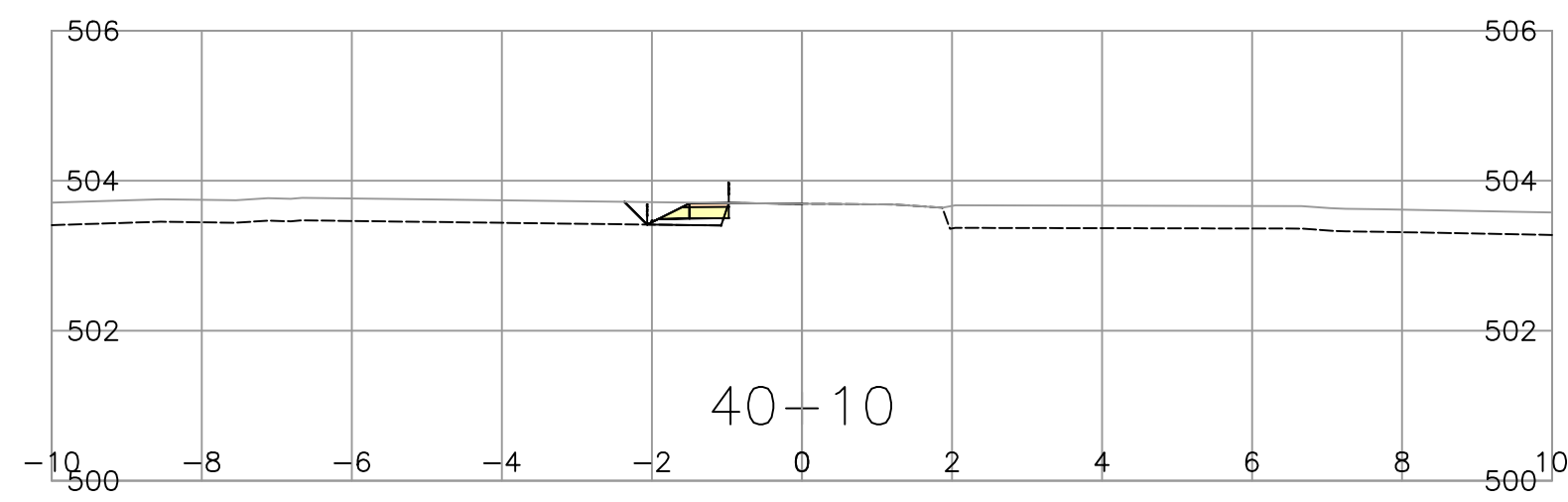
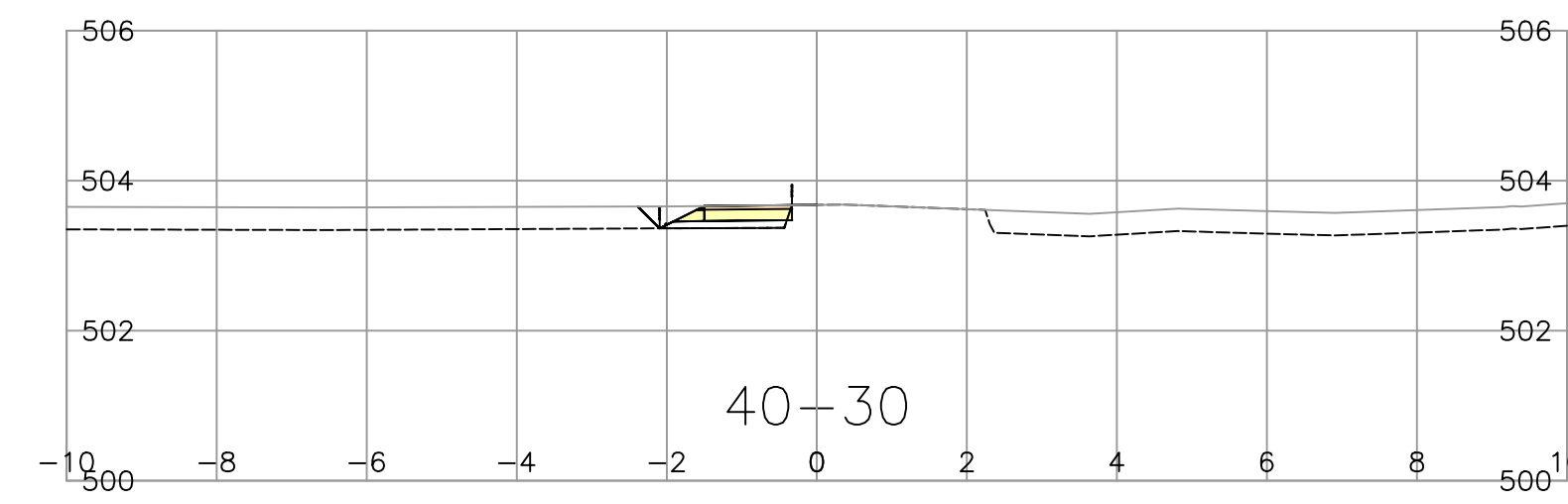
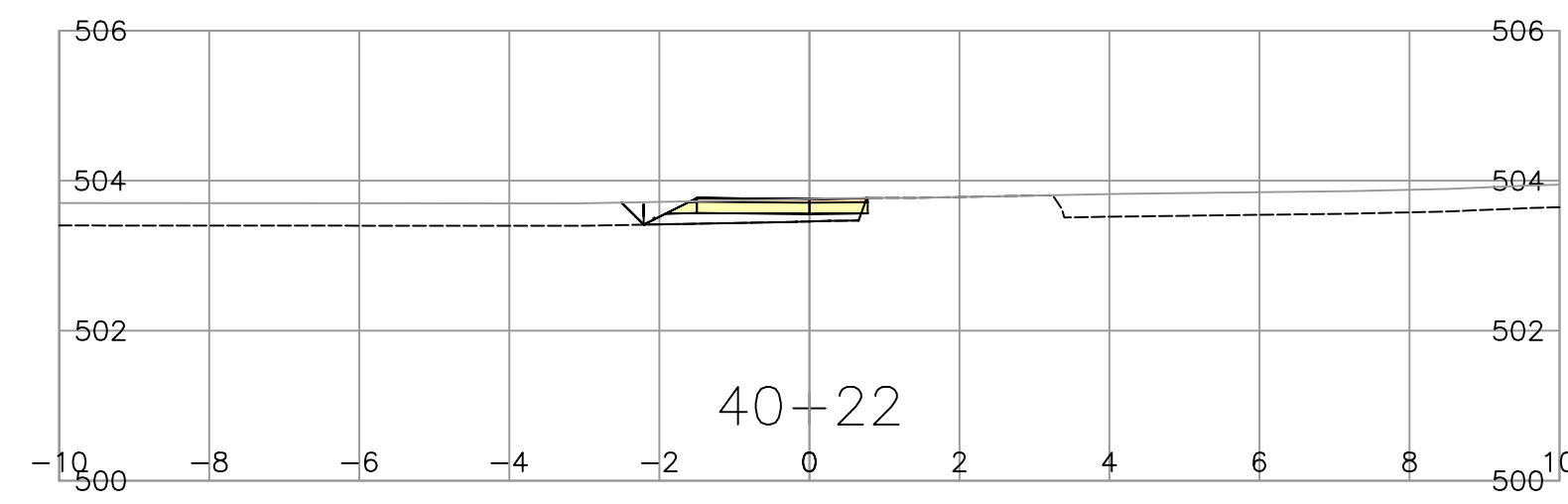
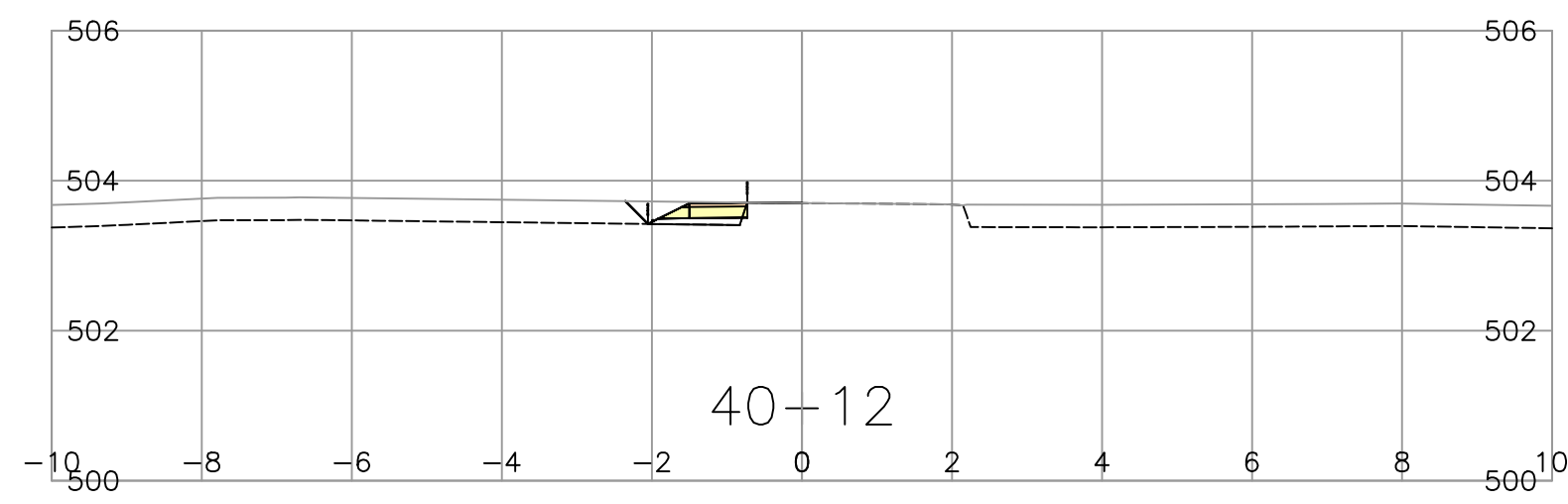
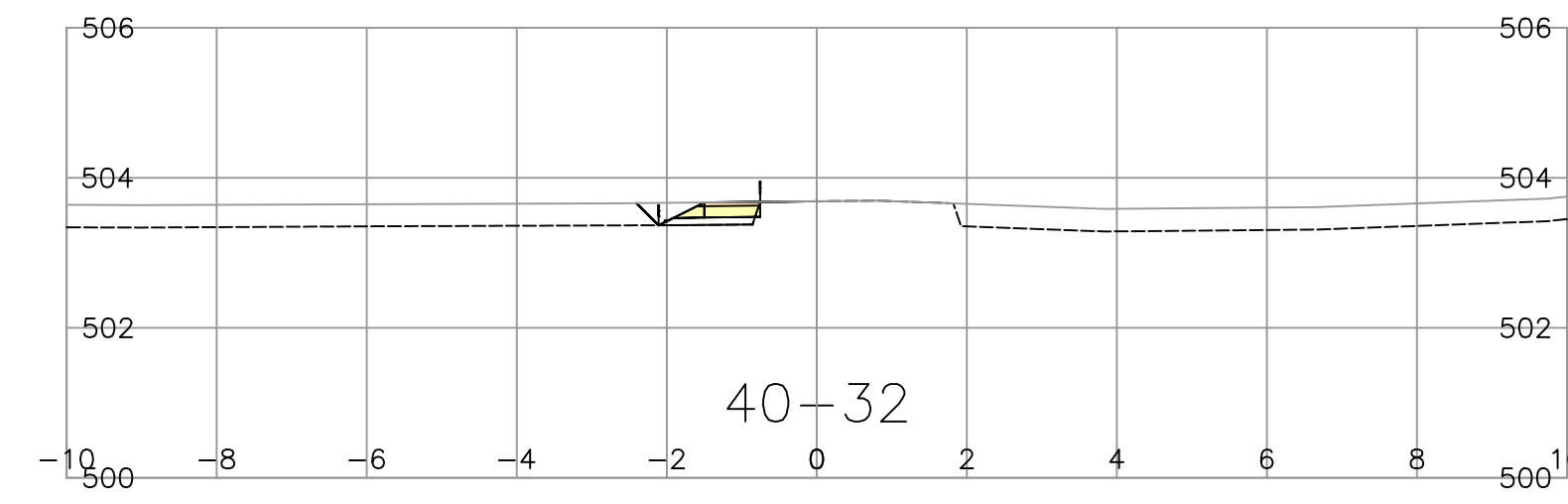
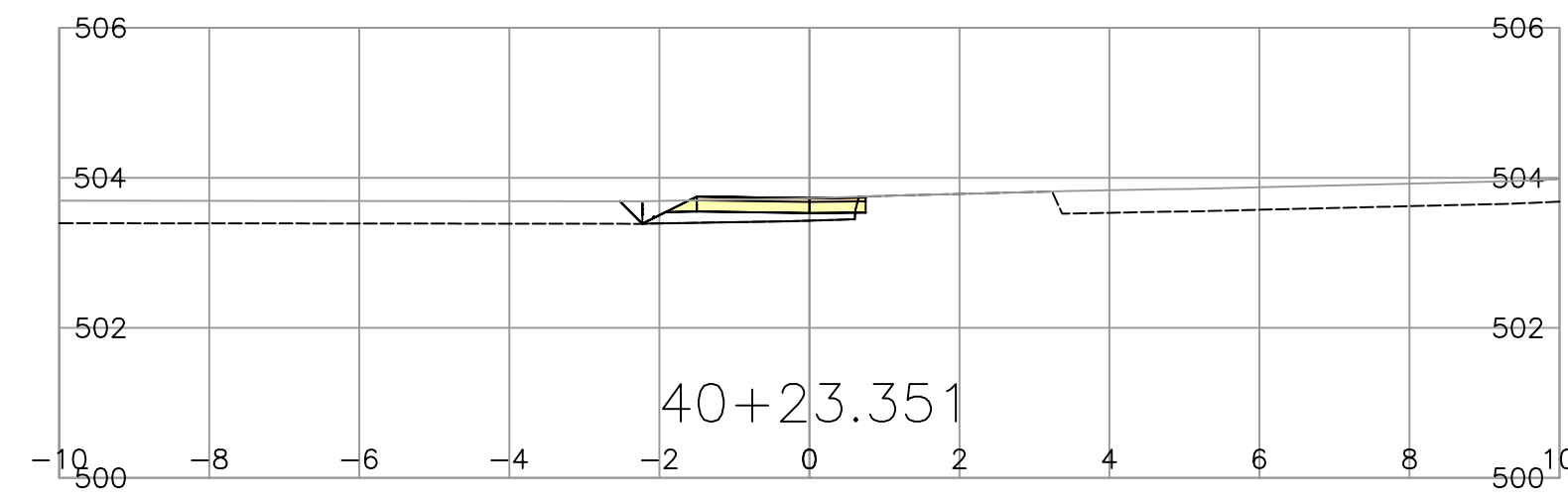
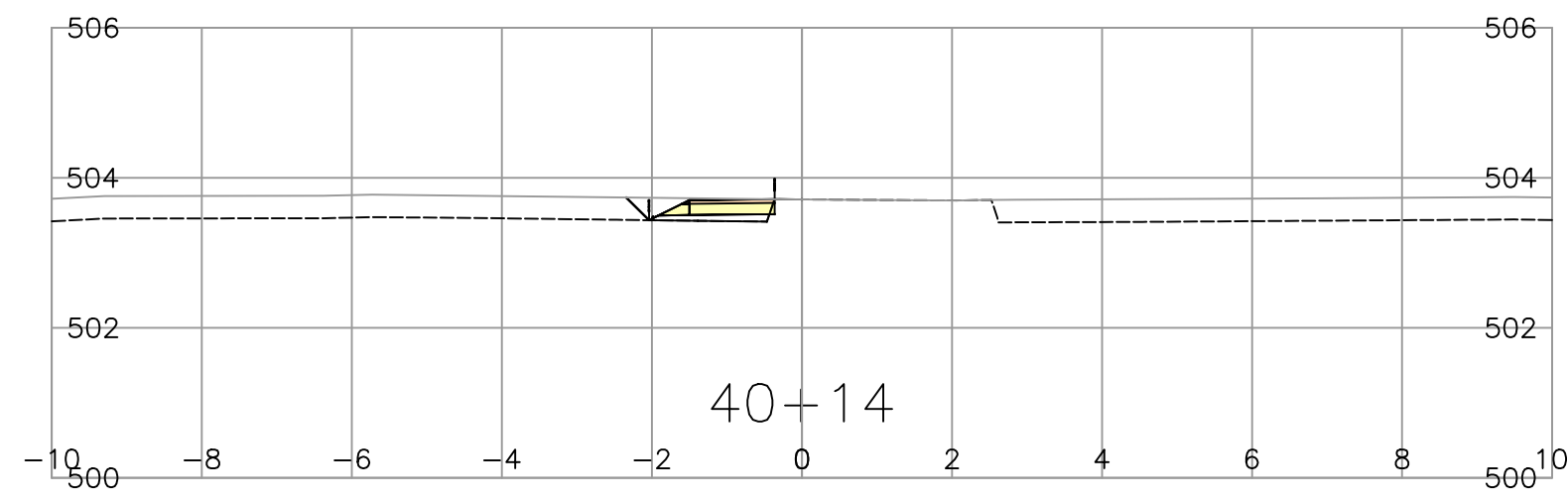
ENGINEER OF RECORD _____
DATE _____

CROSS SECTIONS DALY BRIDGE No. 06489 REPLACEMENT CREIGHTON VALLEY ROAD DW5 STA. 50+28.000 to STA. 50+28.373			
FILE NUMBER	PROJECT NUMBER	REG	DRAWING NUMBER
	25311-0000	2	R2-1182-1011
REV			

FOR REFERENCE ONLY



PLOT DATE: 2023/05/24 C:\pw_working\civil3d\mns05075\1000_XSECT_DW2_DW5.dwg




SCALE 0 1 1:100 5m

CAD FILENAME: 1000_XSECT_DW2_DW5

PLOT DATE _____

REV	DATE	REVISIONS	NAME



BRITISH COLUMBIA

MINISTRY OF TRANSPORTATION AND INFRASTRUCTURE
SOUTHERN INTERIOR REGION

DESIGNED K. MANN DATE 2023-03-07
 QUALITY CONTROL R. STRUTHERS DATE 2023-03-07
 QUALITY ASSURANCE R. FOXTON DATE 2023-03-07
 DRAWN K. MANN DATE 2023-03-07

ENGINEER OF RECORD _____
DATE _____

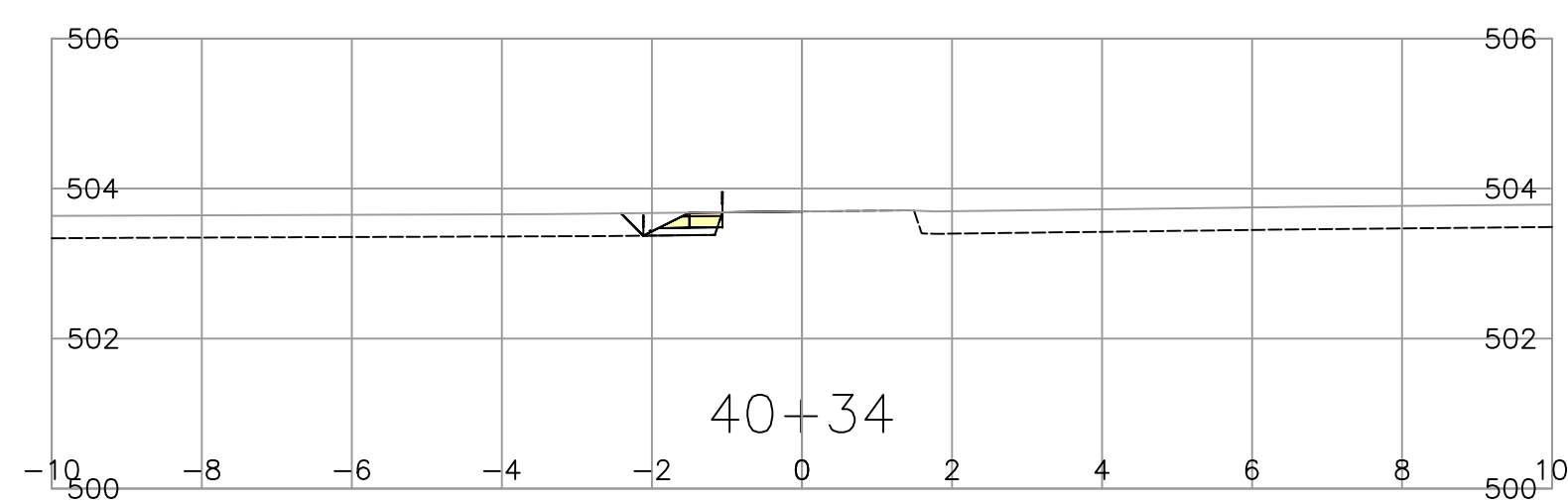
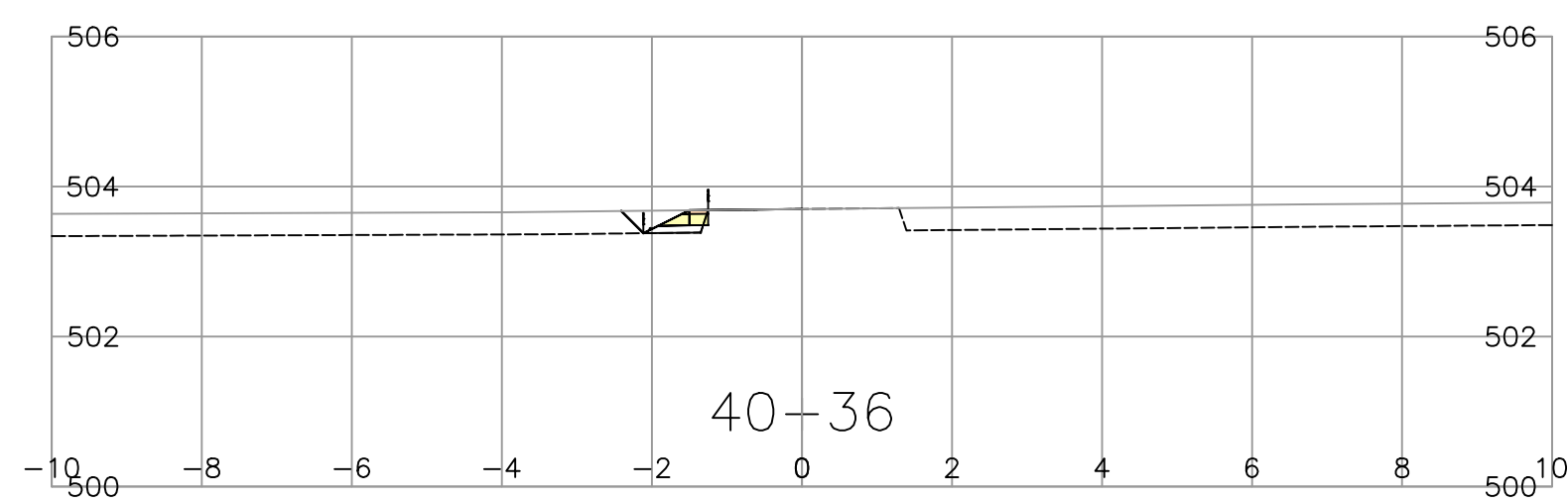
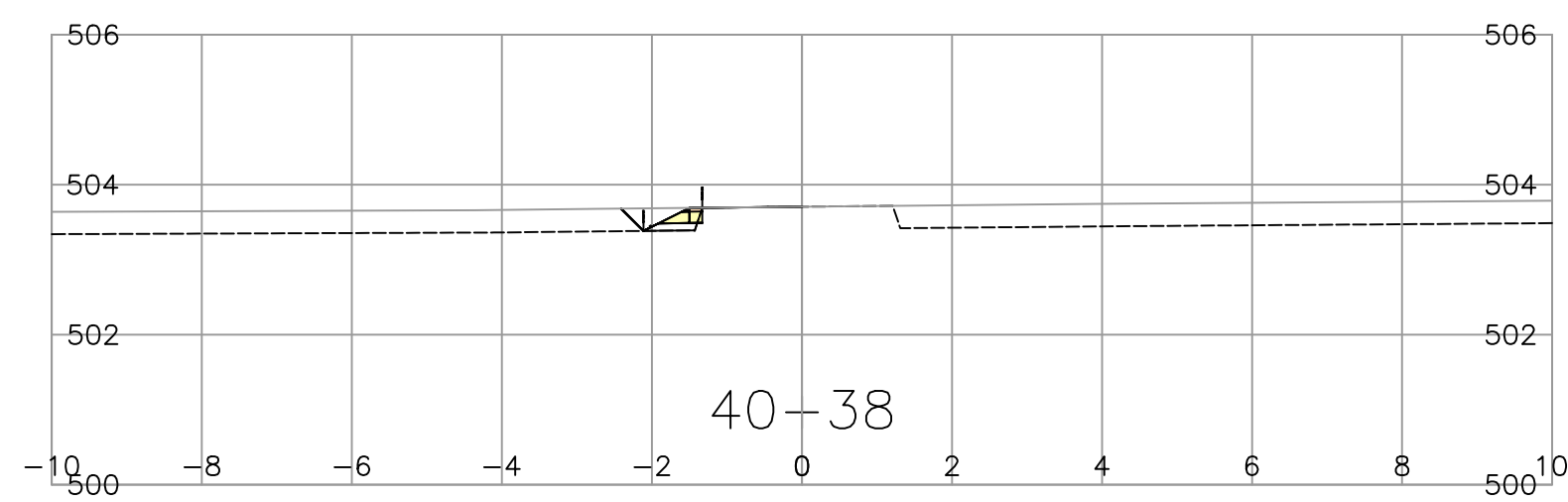
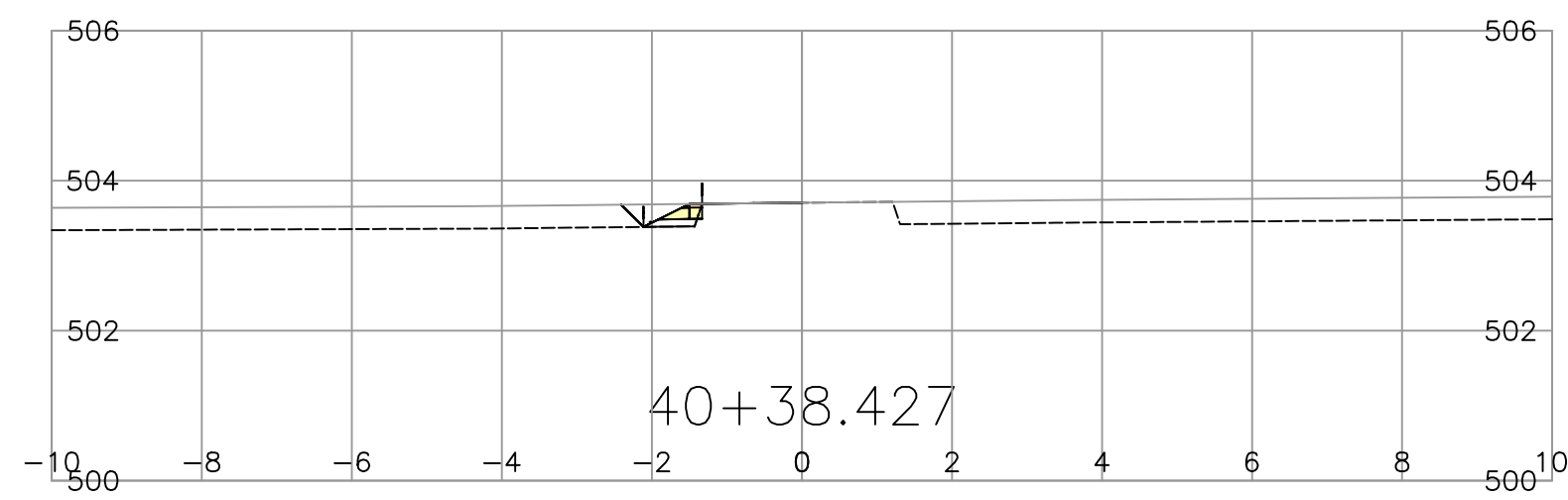
CROSS SECTIONS
DALY BRIDGE No. 06489 REPLACEMENT
CREIGHTON VALLEY ROAD
L400
STA. 40+08.000 to STA. 40+32.000

FILE NUMBER	PROJECT NUMBER	REG	DRAWING NUMBER	REV
	25311-0000	2	R2-1182-11012	

FOR REFERENCE ONLY



PLOT DATE: 2023/05/24 C:\p\working\civil3d\mns05075\1000_XSECT_DW2_DW5.dwg




SCALE 0 1 1:100 5m

CAD FILENAME: 1000_XSECT_DW2.DWG

PLOT DATE _____

REV	DATE	REVISIONS	NAME

 **BRITISH COLUMBIA**

MINISTRY OF TRANSPORTATION AND INFRASTRUCTURE
SOUTHERN INTERIOR REGION

DESIGNED K. MANN DATE 2023-03-07
 QUALITY CONTROL R. STRUTHERS DATE 2023-03-07
 QUALITY ASSURANCE R. FOXTON DATE 2023-03-07
 DRAWN K. MANN DATE 2023-03-07

ENGINEER OF RECORD _____
DATE _____

CROSS SECTIONS
DALY BRIDGE No. 06489 REPLACEMENT
CREIGHTON VALLEY ROAD
L400
STA. 40+34.000 to STA. 40+38.427

FILE NUMBER	PROJECT NUMBER	REG	DRAWING NUMBER	REV
	25311-0000	2	R2-1182-11013	

FOR REFERENCE ONLY

