

TABLE OF CONTENTS – JOB # 6214

DWG. NO.	DESCRIPTION OR NAME	REV.	DATE:
RS-6214-01	GENERAL NOTES	0	DEC. 03, 13
RS-6214-02	GENERAL LAYOUT	0	DEC. 03, 13
RS-6214-03	SUPERSTRUCTURE LAYOUT	0	DEC. 03, 13
RS-6214-04	GIRDER I LAYOUT	0	DEC. 03, 13
RS-6214-05	GIRDER AND LATERAL BRACE DETAILS	0	DEC. 03, 13
RS-6214-06	DIAPHRAGM DETAILS	0	DEC. 03, 13
RS-6214-07	DECK CLIP PLATE DETAILS	0	DEC. 03, 13
RS-6214-08	END DECK PANEL STEEL FRAME DETAILS	0	DEC. 03, 13
RS-6214-09	INTERMEDIATE DECK PANEL STEEL FRAME DETAILS	0	DEC. 03, 13
RS-6214-10	END TIMBER DECK PANEL ASSEMBLY	0	DEC. 03, 13
RS-6214-11	INTERMEDIATE TIMBER DECK PANEL ASSEMBLY	0	DEC. 03, 13

**NORTHERN MAT AND BRIDGE L.P.
SERIAL NUMBER 724
24.384 METER L-100
OILFIELD PORTABLE**



Web Site: <http://www.rapidspan.com>

Tel: 1-800-661-2047

NOTICE: THIS DRAWING HAS NOT BEEN PUBLISHED AND IS THE SOLE PROPERTY OF RAPID-SPAN STRUCTURES LTD AND IS LENT TO THE BORROWER FOR HIS CONFIDENTIAL USE ONLY; AND IN CONSIDERATION OF THE LOAN OF THIS DRAWING, THE BORROWER PROMISES AND AGREES TO RETURN IT UPON REQUEST AND AGREES THAT IT SHALL NOT BE REPRODUCED, COPIED, LENT OR OTHERWISE DISPOSED OF DIRECTLY OR INDIRECTLY, NOR USED FOR ANY PURPOSE OTHER THAN THAT FOR WHICH IT WAS FURNISHED.

DRAWING NUMBER:

RS-6214-00

REFERENCE DRAWINGS:

- ASSOCIATED ENGINEERING DRAWING NUMBERS 2784-01-3-810 TO 812.
- ASSOCIATED ENGINEERING DRAWING NUMBERS REF-03-001 AND 002.

STEEL SPECIFICATIONS:

- ALL STEEL PLATE SHALL COMPLY TO CSA-G40.21-04 GRADE 350AT CAT 3.
- ALL STEEL SECTIONS SHALL COMPLY TO GRADE 350A.
- ALL DECK STEEL SHALL COMPLY TO GRADE 350W AND PAINTED.
- ALL WELDING IN ACCORDANCE WITH C.S.A. W-59. WELD METAL SHALL MEET THE CVN TOUGHNESS REQUIREMENTS OF TABLE 10.14 OF CAN/CSA-S6-06 FOR A MINIMUM SERVICE TEMPERATURE OF < -40° C.
- UNLESS OTHERWISE SPECIFIED ALL BOLTS FOR STEEL WORK SHALL BE ASTM GRADE A325, TYPE 3.
- FLANGE AND WEB SHOP SPLICES SHALL BE UT OR RT INSPECTED.
- FLANGES OF GIRDERS SHALL BE GROUND SMOOTH @ BUTT WELD LOCATIONS.
- FABRICATE BOTTOM FLANGE & WEBS AS FRACTURE CRITICAL MEMBERS IN ACCORDANCE WITH CLAUSE 10.23 OF CAN/CSA-S6-00

HARDWARE SPECIFICATIONS:

- FASTENERS SHALL CONFORM TO ASTM A307 GALVANIZED IN ACCORDANCE WITH CSA G164.

DECK SPECIFICATIONS:

- LUMBER GRADES AS PER CANADIAN LUMBER STANDARDS ADMINISTRATIVE BOARD (C.L.S.A.B.) REQUIREMENTS
- ALL UNTREATED TIMBER TO BE ROUGH SAWN # 2 OR BETTER SPF.
- ALL TREATED TIMBER TO BE CCA ROUGH SAWN # 2 OR BETTER SPF.

GUARDRAIL AND POST:

STEEL PREPARATION:

- BLAST CLEAN TO SSPC SP-6.


PAINT:

- BLAST CLEAN RAILINGS TO SSPC-SP6 AND APPLY 2.5 TO 3.5 MILS DFT ENAMEL PAINT.
COLOUR: SAFETY YELLOW.

NOTES:

- UNLESS OTHERWISE SPECIFIED ALL DIMENSIONS ARE IN mm.
- UNLESS OTHERWISE SPECIFIED ALL HOLES TO BE 24mm DIA.

0	DEC. 03, 13	ISSUED FOR CONSTRUCTION	JN
A	MAY 31, 13	PRELIMINARY	JN
REV	DATE	DESCRIPTION	BY



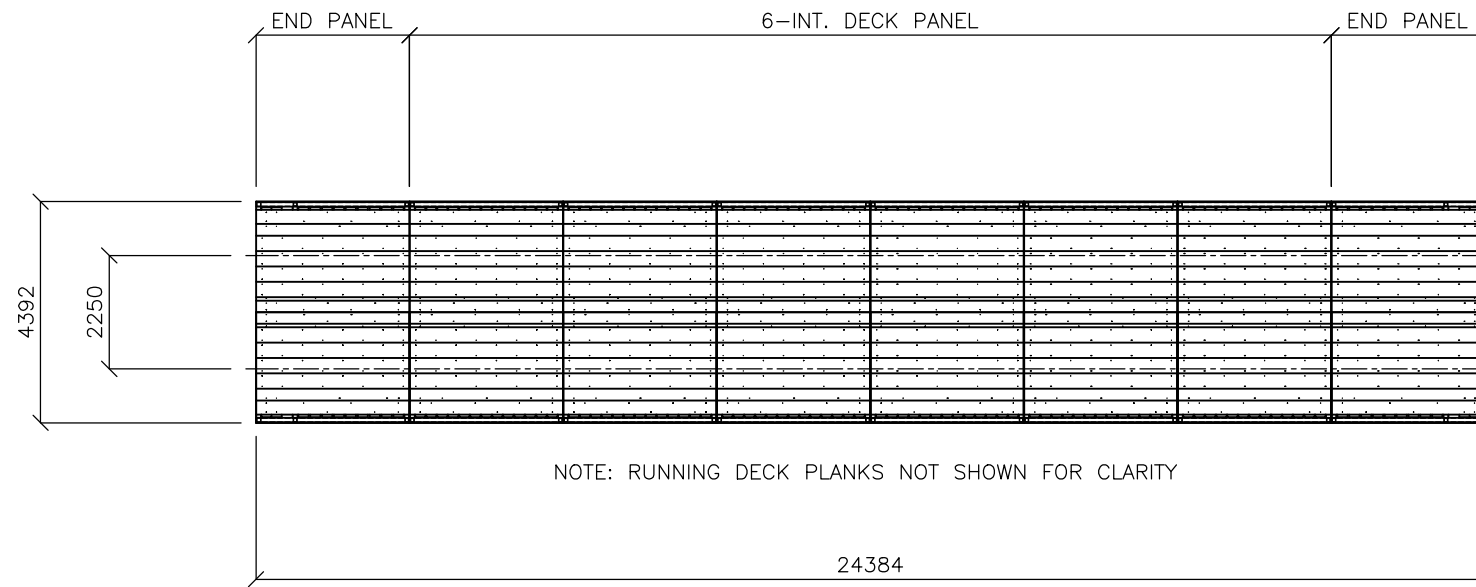
Web Site: <http://www.rapidspan.com> Tel: 1-800-661-2047

NOTICE: THIS DRAWING HAS NOT BEEN PUBLISHED AND IS THE SOLE PROPERTY OF RAPID-SPAN STRUCTURES LTD AND IS LENT TO THE BORROWER FOR HIS CONFIDENTIAL USE ONLY; AND IN CONSIDERATION OF THE LOAN OF THIS DRAWING, THE BORROWER PROMISES AND AGREES TO RETURN IT UPON REQUEST AND AGREES THAT IT SHALL NOT BE REPRODUCED, COPIED, LENT OR OTHERWISE DISPOSED OF DIRECTLY OR INDIRECTLY, NOR USED FOR ANY PURPOSE OTHER THAN THAT FOR WHICH IT WAS FURNISHED.

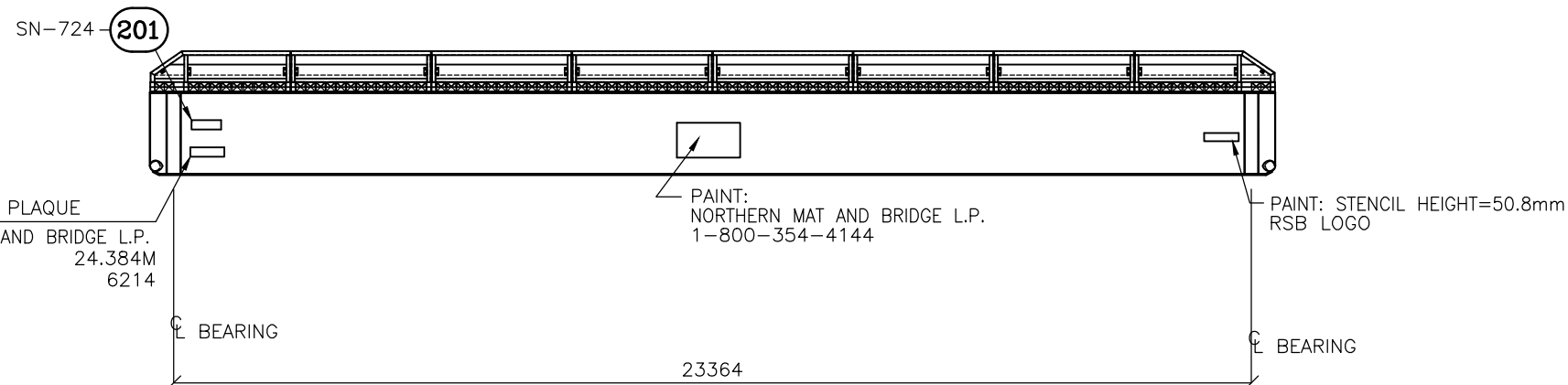
PROJECT:			
NORTHERN MAT AND BRIDGE L.P. SERIAL NUMBER 724			
TITLE:			
GENERAL NOTES			
ENG BY: AE	DATE: JAN. 2012	LEAD: RSB	JOB NO.: 6214
CAD BY: JEFF NAVRATIL	DATE: MAY 31, 13	SCALE:	SHEET 1 OF 11
APP BY: STEVE BUBURUZ	DATE: DEC. 03, 13	DRAWING NUMBER:	
ISSUED BY: JEFF NAVRATIL	DATE: DEC. 03, 13	RS-6214-01	REV △

BILL OF MATERIALS - JOB # 6214

ITEM	QTY	DESCRIPTION OR NAME	SIZE	WT. LBS. TOTAL
200	2	IDENTIFICATION PLAQUE	200 x 250	1
201	10	SERIAL NUMBER PLATE	9.5 x 127 x 254	53



KEY PLAN
SCALE 1:150



ELEVATION
SCALE 1:150

REV	DATE	DESCRIPTION	BY
0	DEC. 03, 13	ISSUED FOR CONSTRUCTION	JN
A	MAY 31, 13	PRELIMINARY	JN



Web Site: <http://www.rapidspan.com>

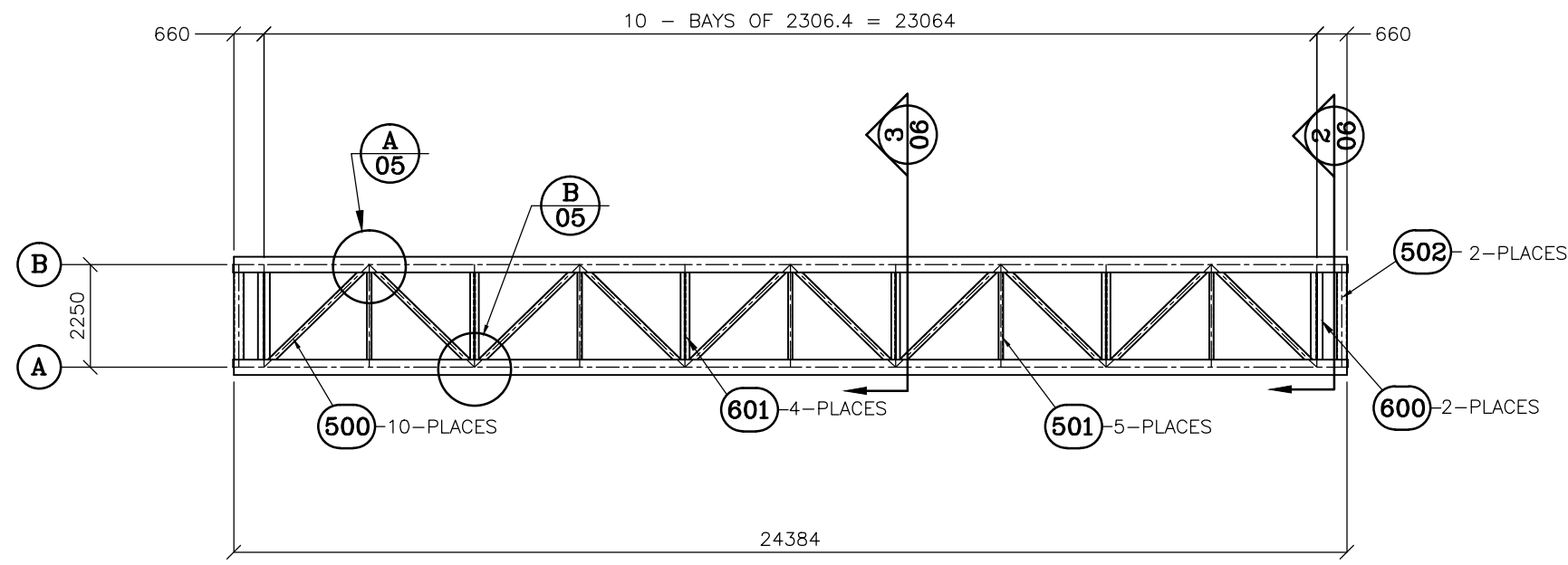
Tel: 1-800-661-2047

NOTICE: THIS DRAWING HAS NOT BEEN PUBLISHED AND IS THE SOLE PROPERTY OF RAPID-SPAN STRUCTURES LTD AND IS LENT TO THE BORROWER FOR HIS CONFIDENTIAL USE ONLY; AND IN CONSIDERATION OF THE LOAN OF THIS DRAWING, THE BORROWER PROMISES AND AGREES TO RETURN IT UPON REQUEST AND AGREES THAT IT SHALL NOT BE REPRODUCED, COPIED, LENT OR OTHERWISE DISPOSED OF DIRECTLY OR INDIRECTLY, NOR USED FOR ANY PURPOSE OTHER THAN THAT FOR WHICH IT WAS FURNISHED.

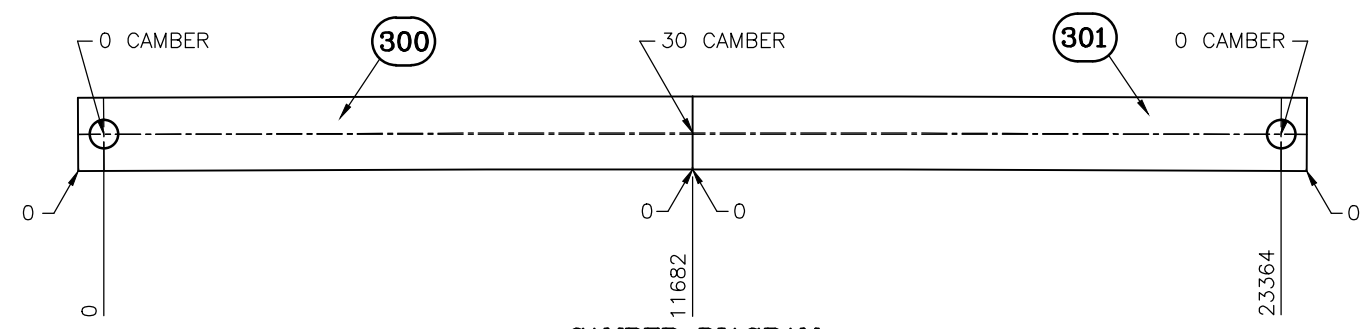
PROJECT:
NORTHERN MAT AND BRIDGE L.P.
SERIAL NUMBER 724

TITLE:
GENERAL LAYOUT

ENG BY: AE	DATE: JAN. 2012	LEAD: RSB	JOB NO.: 6214
CAD BY: JEFF NAVRATIL	DATE: MAY 31, 13	SCALE: AS SHOWN	SHEET 2 OF 11
APP BY: STEVE BUBURUZ	DATE: DEC. 03, 13	DRAWING NUMBER:	REV
ISSUED BY: JEFF NAVRATIL	DATE: DEC. 03, 13	RS-6214-02	



FRAMING PLAN
SCALE 1:150



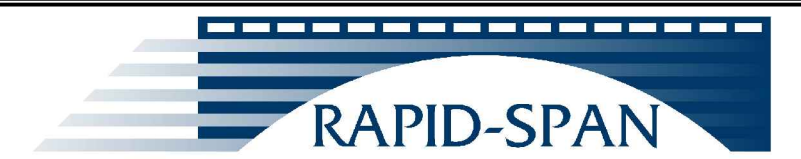
CAMBER DIAGRAM
SCALE 1:150

BILL OF MATERIALS - JOB # 6214

ITEM	QTY	DESCRIPTION OR NAME	SIZE	WT. LBS. TOTAL
300	2	CAMBERED WEB PLATE	12.7 x 1450 x 12192	7764
301	2	CAMBERED WEB PLATE	12.7 x 1450 x 12192	7764

ESTIMATED WEIGHTS:
STEEL SUPERSTRUCTURE = 37,997 LBS.

REV	DATE	DESCRIPTION	BY
0	DEC. 03, 13	ISSUED FOR CONSTRUCTION	JN
A	MAY 31, 13	PRELIMINARY	JN



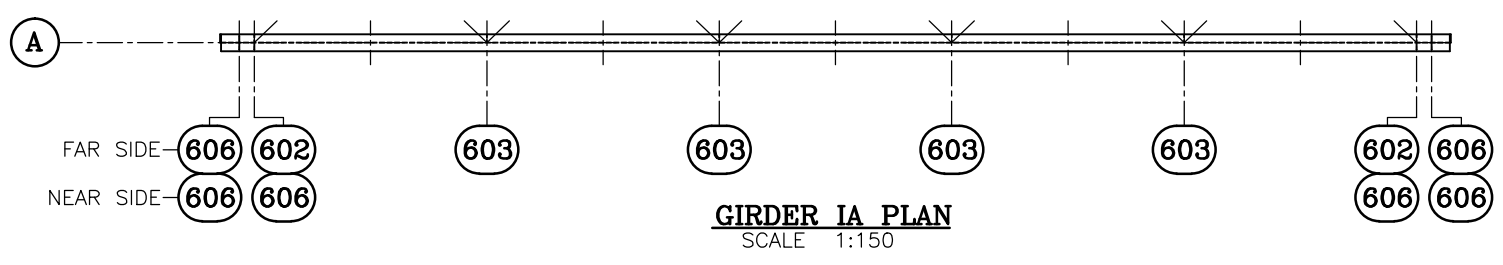
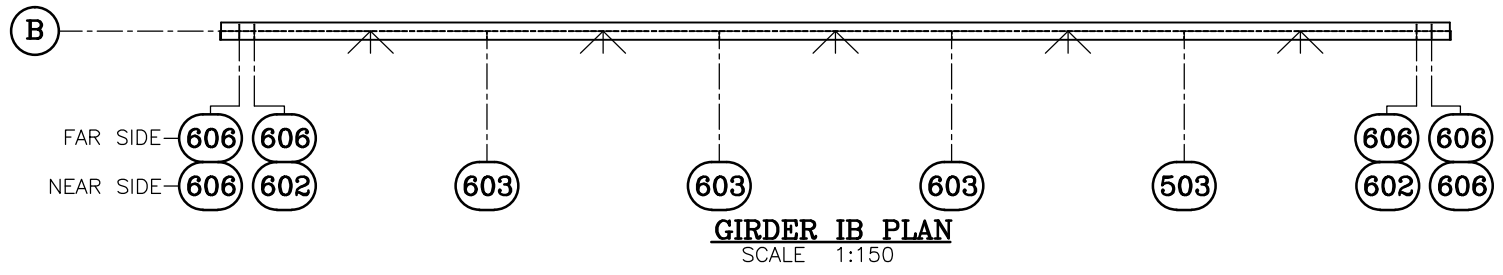
Web Site: <http://www.rapidspan.com> Tel: 1-800-661-2047

NOTICE: THIS DRAWING HAS NOT BEEN PUBLISHED AND IS THE SOLE PROPERTY OF RAPID-SPAN STRUCTURES LTD AND IS LENT TO THE BORROWER FOR HIS CONFIDENTIAL USE ONLY; AND IN CONSIDERATION OF THE LOAN OF THIS DRAWING, THE BORROWER PROMISES AND AGREES TO RETURN IT UPON REQUEST AND AGREES THAT IT SHALL NOT BE REPRODUCED, COPIED, LENT OR OTHERWISE DISPOSED OF DIRECTLY OR INDIRECTLY, NOR USED FOR ANY PURPOSE OTHER THAN THAT FOR WHICH IT WAS FURNISHED.

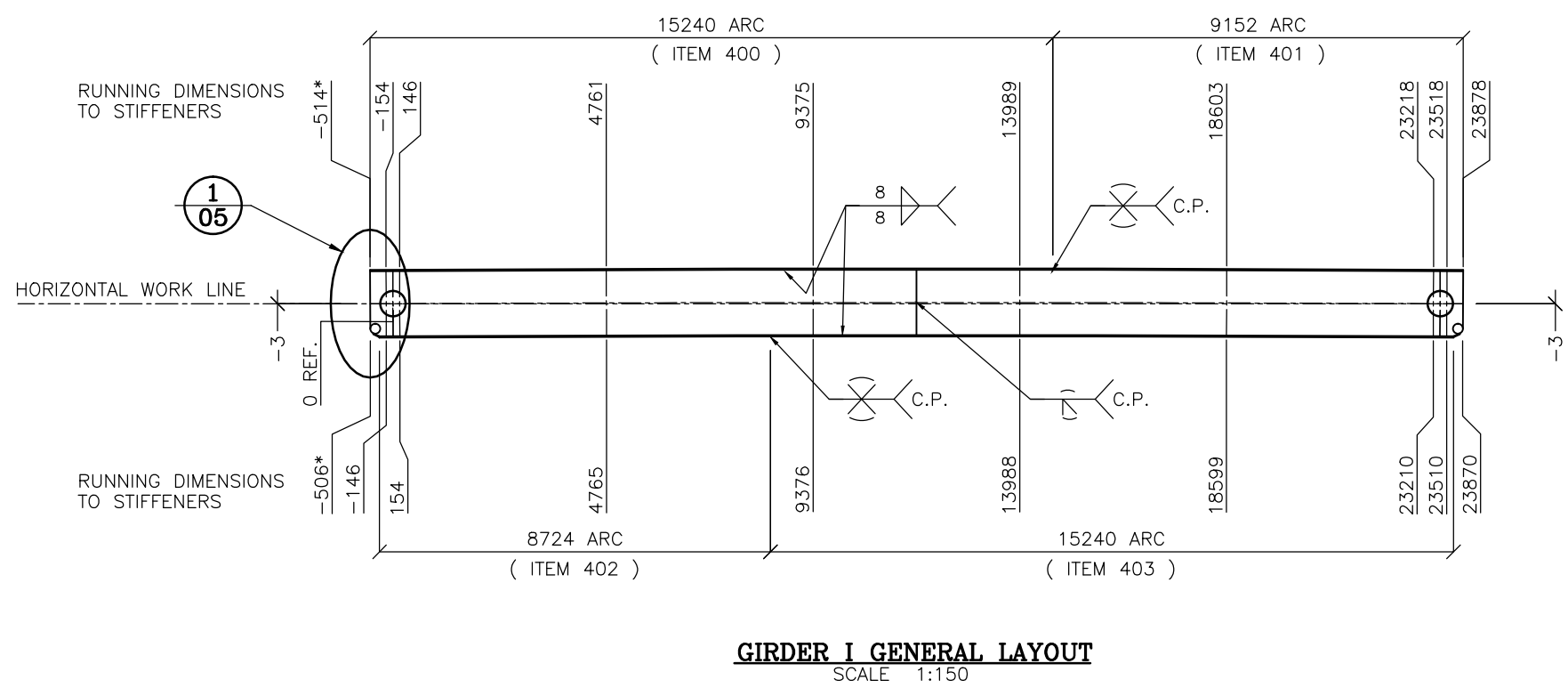
PROJECT:
**NORTHERN MAT AND BRIDGE L.P.
SERIAL NUMBER 724**

TITLE:
SUPERSTRUCTURE LAYOUT

ENG BY: AE	DATE: JAN. 2012	LEAD: RSB	JOB NO.: 6214
CAD BY: JEFF NAVRATIL	DATE: MAY 31, 13	SCALE: AS SHOWN	SHEET 3 OF 11
APP BY: STEVE BUBURUZ	DATE: DEC. 03, 13	DRAWING NUMBER:	REV
ISSUED BY: JEFF NAVRATIL	DATE: DEC. 03, 13	RS-6214-03	



*NOTE: RUNNING DIMENSIONS TO 1/2 END PLATES



BILL OF MATERIALS - JOB # 6214

ITEM	QTY	DESCRIPTION OR NAME	SIZE	WT. LBS. TOTAL
400	2	TOP FLANGE PLATE	31.8 x 340 x 15240	5689
401	2	TOP FLANGE PLATE	31.8 x 340 x 9152	3416
402	2	BOTTOM FLANGE PLATE	31.8 x 340 x 8724	3257
403	2	BOTTOM FLANGE PLATE	31.8 x 340 x 15240	5689

ESTIMATED WEIGHTS:
GIRDER = 17,528 LBS.

REV	DATE	DESCRIPTION	BY
0	DEC. 03, 13	ISSUED FOR CONSTRUCTION	JN
A	MAY 31, 13	PRELIMINARY	JN



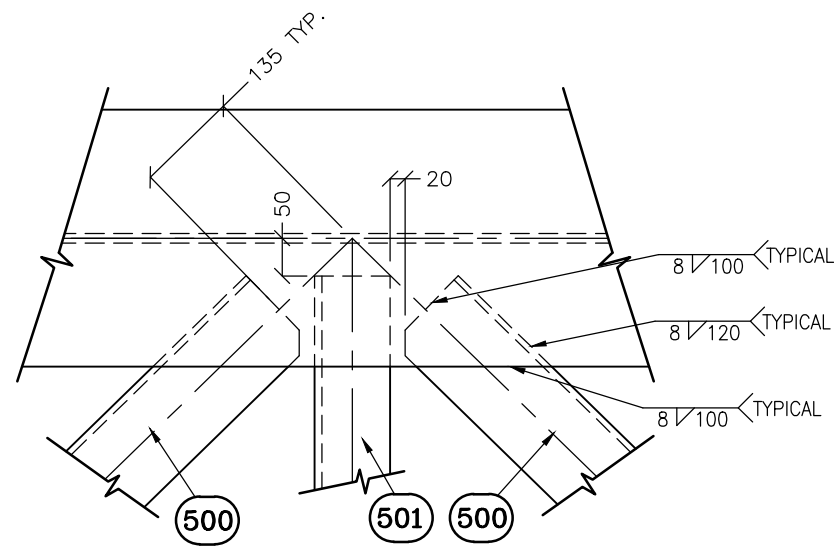
Web Site: <http://www.rapidspan.com> Tel: 1-800-661-2047

NOTICE: THIS DRAWING HAS NOT BEEN PUBLISHED AND IS THE SOLE PROPERTY OF RAPID-SPAN STRUCTURES LTD AND IS LENT TO THE BORROWER FOR HIS CONFIDENTIAL USE ONLY; AND IN CONSIDERATION OF THE LOAN OF THIS DRAWING, THE BORROWER PROMISES AND AGREES TO RETURN IT UPON REQUEST AND AGREES THAT IT SHALL NOT BE REPRODUCED, COPIED, LENT OR OTHERWISE DISPOSED OF DIRECTLY OR INDIRECTLY, NOR USED FOR ANY PURPOSE OTHER THAN THAT FOR WHICH IT WAS FURNISHED.

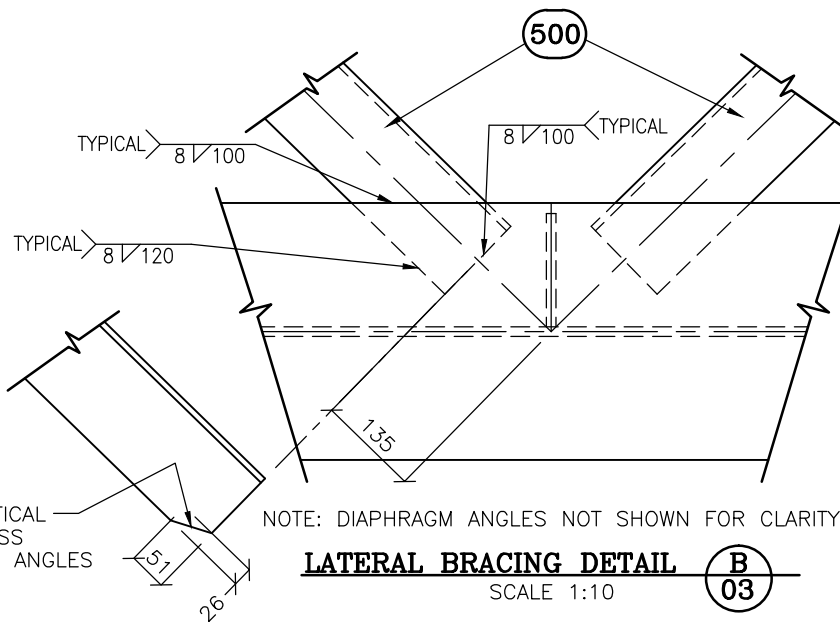
PROJECT:
NORTHERN MAT AND BRIDGE L.P.
SERIAL NUMBER 724

TITLE:
GIRDER I LAYOUT

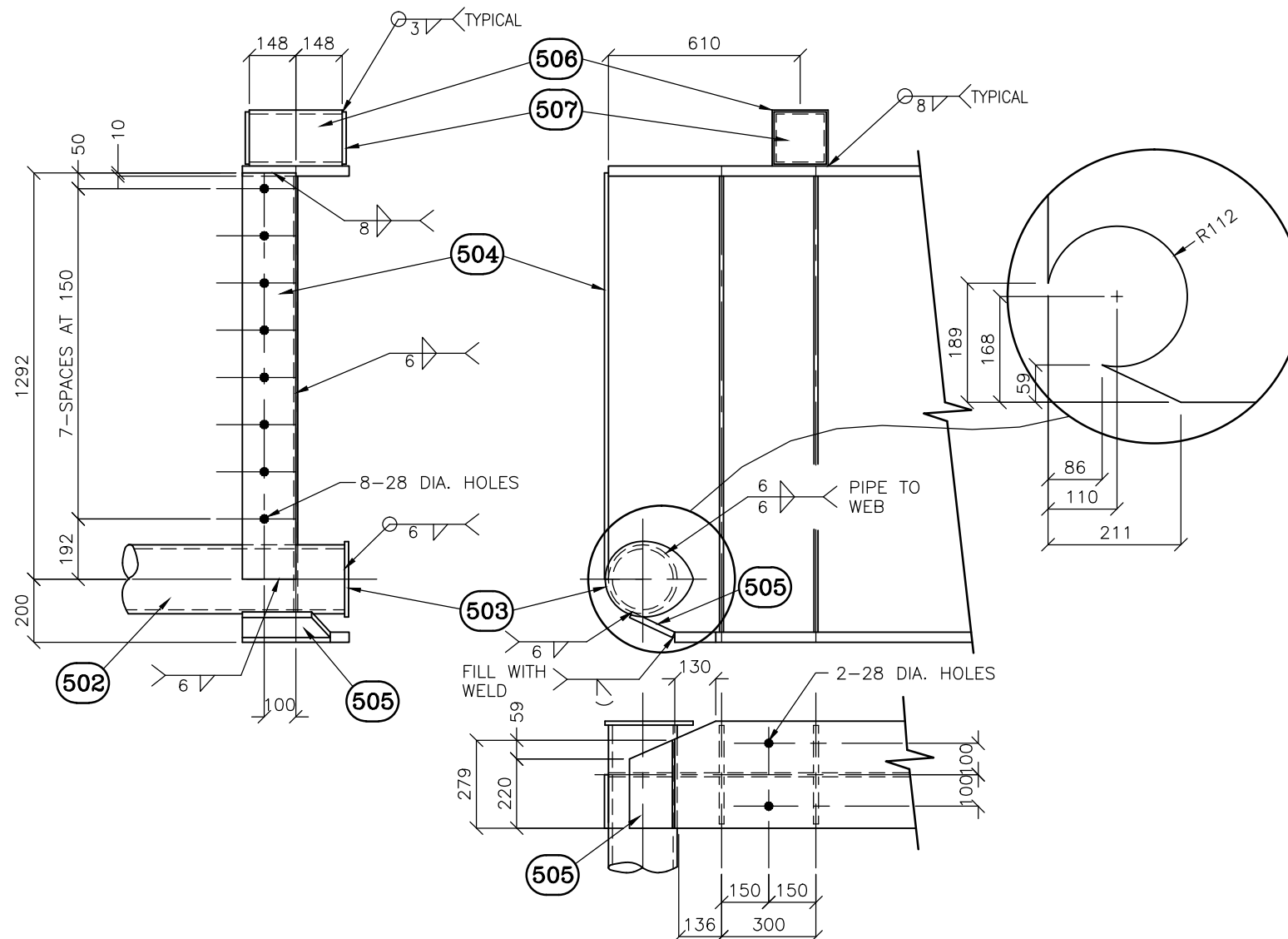
ENG BY: AE	DATE: JAN. 2012	LEAD: RSB	JOB NO.: 6214
CAD BY: JEFF NAVRATIL	DATE: MAY 31, 13	SCALE: AS SHOWN	SHEET 4 OF 11
APP BY: STEVE BUBURUZ	DATE: DEC. 03, 13	DRAWING NUMBER:	REV
ISSUED BY: JEFF NAVRATIL	DATE: DEC. 03, 13	RS-6214-04	



LATERAL BRACING DETAIL A
SCALE 1:10



LATERAL BRACING DETAIL B
SCALE 1:10



GIRDER END DETAIL 1
SCALE 1:20

BILL OF MATERIALS - JOB # 6214				
ITEM	QTY	DESCRIPTION OR NAME	SIZE	WT. LBS. TOTAL
500	10	LATERAL BRACE DIAGONAL	L127 x 127 x 7.9 x 2952	994
501	5	LATERAL BRACE STRUT	L102 x 102 x 9.5 x 2150	344
502	2	TOW PIPE	219 O.D. x 12.7 x 2560	730
503	4	TOW PIPE CAP PLATE	12.7 x 240 x 280	59
504	4	END PLATE	19.1 x 170 x 1292	289
505	4	SKID PLATE	19.1 x 150 x 220-280	55
506	4	DECK STOP	178 x 178 x 6.4 HSS x 295	87
507	8	DECK STOP CAP PLATE	12.7 x 172 x 172	52

REV	DATE	DESCRIPTION	BY
0	DEC. 03, 13	ISSUED FOR CONSTRUCTION	JN
A	MAY 31, 13	PRELIMINARY	JN



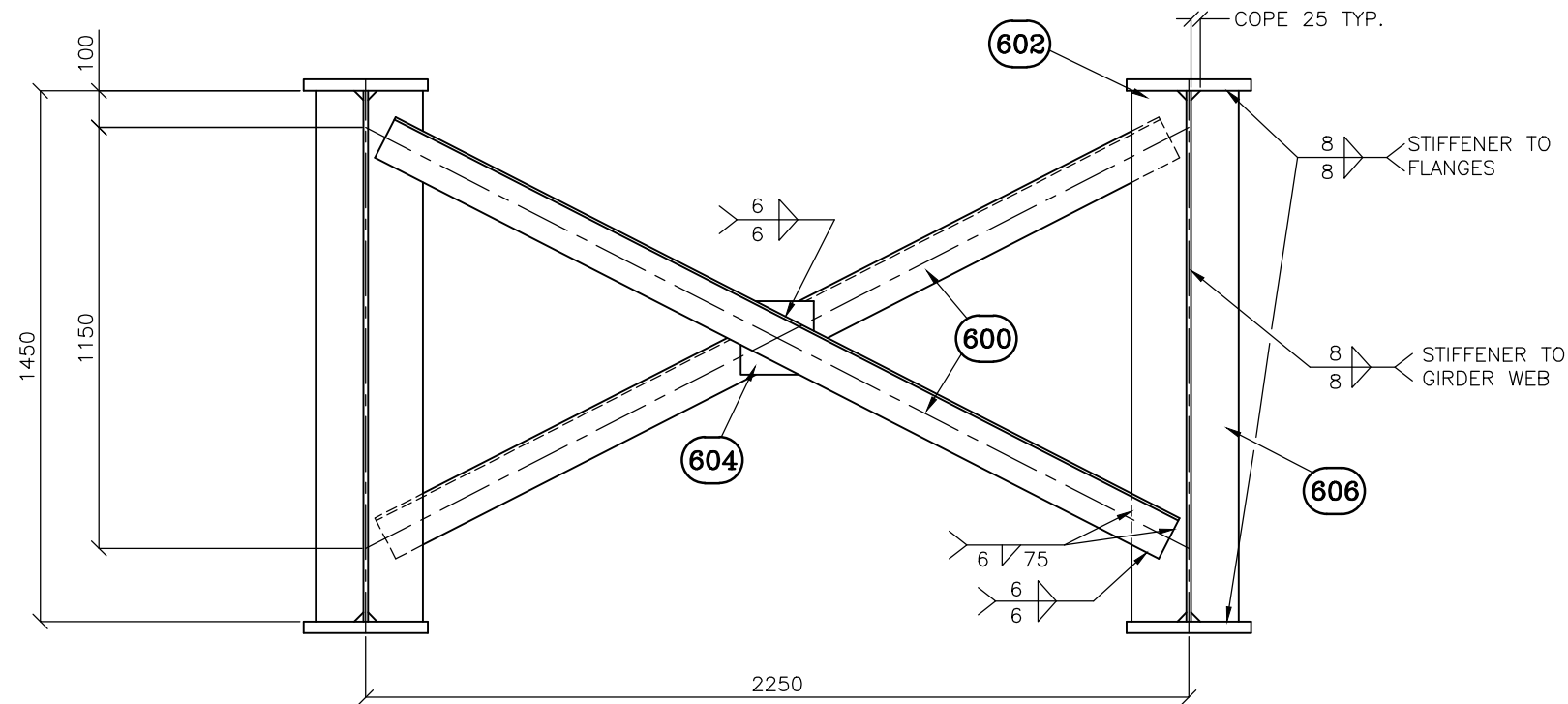
Web Site: <http://www.rapidspan.com> Tel: 1-800-661-2047

NOTICE: THIS DRAWING HAS NOT BEEN PUBLISHED AND IS THE SOLE PROPERTY OF RAPID-SPAN STRUCTURES LTD AND IS LENT TO THE BORROWER FOR HIS CONFIDENTIAL USE ONLY; AND IN CONSIDERATION OF THE LOAN OF THIS DRAWING, THE BORROWER PROMISES AND AGREES TO RETURN IT UPON REQUEST AND AGREES THAT IT SHALL NOT BE REPRODUCED, COPIED, LENT OR OTHERWISE DISPOSED OF DIRECTLY OR INDIRECTLY, NOR USED FOR ANY PURPOSE OTHER THAN THAT FOR WHICH IT WAS FURNISHED.

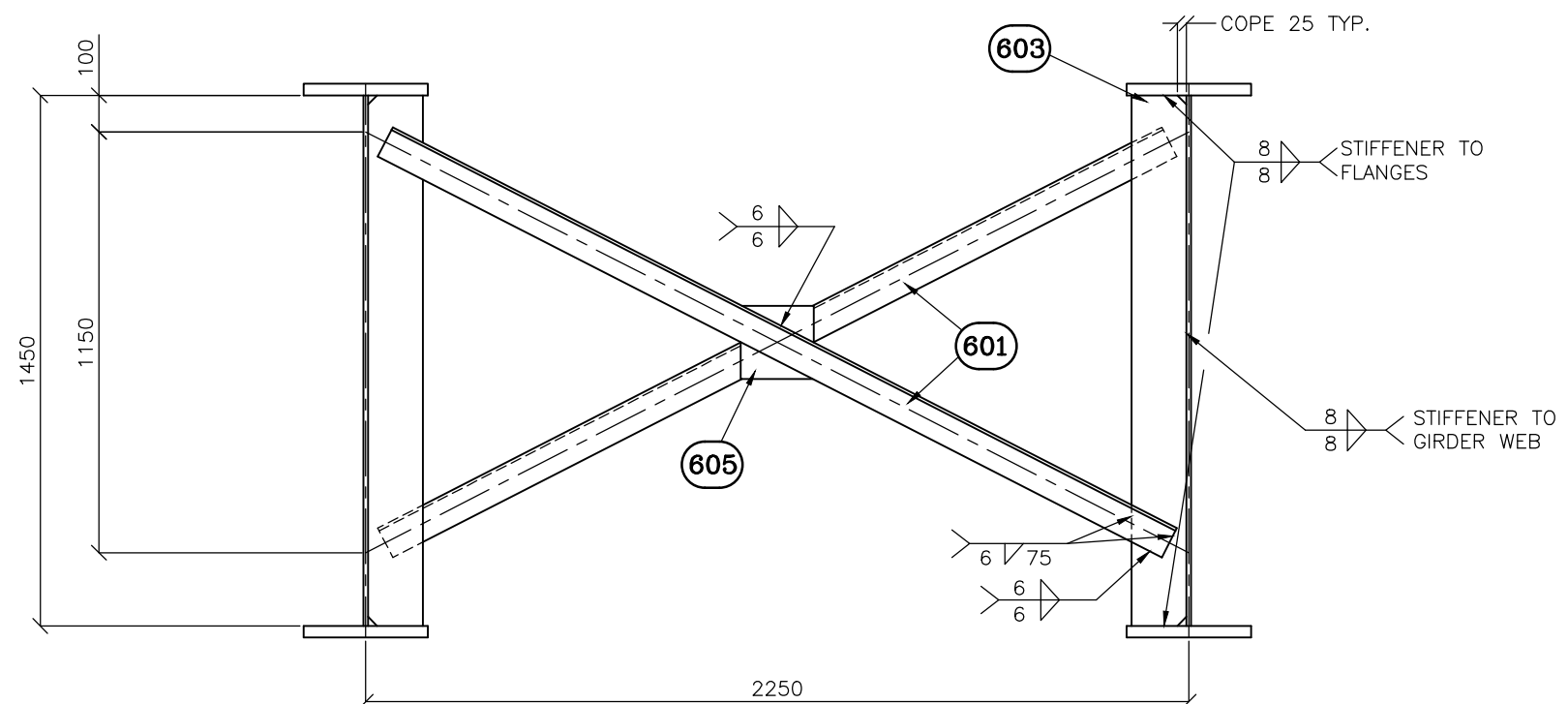
PROJECT:
**NORTHERN MAT AND BRIDGE L.P.
SERIAL NUMEBR 724**

TITLE:
GIRDER AND LATERAL BRACE DETAILS

ENG BY: AE	DATE: JAN. 2012	LEAD: RSB	JOB NO.: 6214
CAD BY: JEFF NAVRATIL	DATE: MAY 31, 13	SCALE: AS SHOWN	SHEET 5 OF 11
APP BY: STEVE BUBURUZ	DATE: DEC. 03, 13	DRAWING NUMBER:	REV
ISSUED BY: JEFF NAVRATIL	DATE: DEC. 03, 13	RS-6214-05	



TYPICAL D1 END DIAPHRAGM CROSS SECTION 2
SCALE 1:20 03



TYPICAL INTERMEDIATE D2 DIAPHRAGM CROSS SECTION 3
SCALE 1:20 03

BILL OF MATERIALS - JOB # 6214

ITEM	QTY	DESCRIPTION OR NAME	SIZE	WT. LBS. TOTAL
600	4	D1 DIAPHRAGM DIAGONAL	L127 x 127 x 7.9 x 2407	324
601	8	INT. D2 DIAPHRAGM DIAGONAL	L89 x 89 x 7.9 x 2407	448
602	4	D1 DIAPHRAGM STIFFENER	12.7 x 150 x 1450	191
603	8	INT. D2 DIAPHRAGM STIFFENER	9.5 x 150 x 1450	287
604	2	END DIAPHRAGM SPACER	12.7 x 200 x 200	18
605	4	INT. DIAPHRAGM SPACER	9.5 x 200 x 200	26
606	12	BEARING STIFFENER	12.7 x 130 x 1450	497

REV	DATE	DESCRIPTION	BY
0	DEC. 03, 13	ISSUED FOR CONSTRUCTION	JN
A	MAY 31, 13	PRELIMINARY	JN



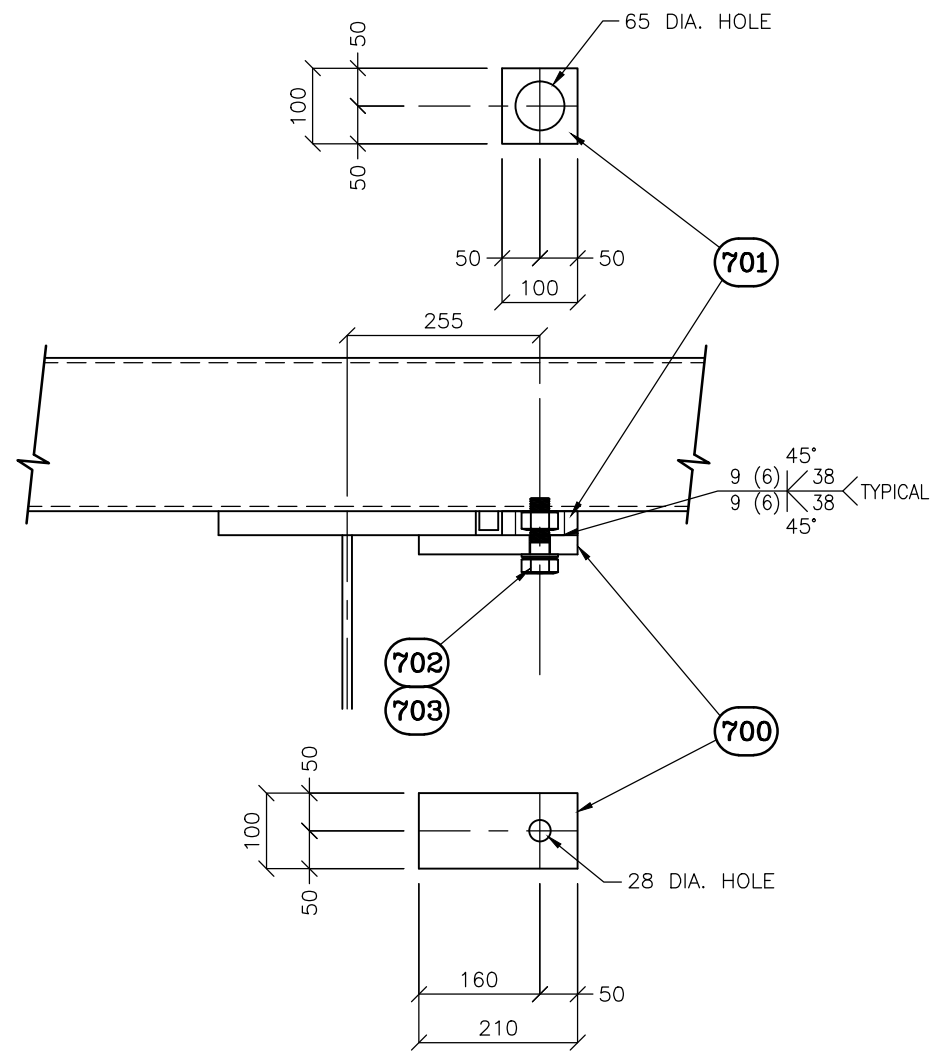
Web Site: <http://www.rapidspan.com> Tel: 1-800-661-2047

NOTICE: THIS DRAWING HAS NOT BEEN PUBLISHED AND IS THE SOLE PROPERTY OF RAPID-SPAN STRUCTURES LTD AND IS LENT TO THE BORROWER FOR HIS CONFIDENTIAL USE ONLY; AND IN CONSIDERATION OF THE LOAN OF THIS DRAWING, THE BORROWER PROMISES AND AGREES TO RETURN IT UPON REQUEST AND AGREES THAT IT SHALL NOT BE REPRODUCED, COPIED, LENT OR OTHERWISE DISPOSED OF DIRECTLY OR INDIRECTLY, NOR USED FOR ANY PURPOSE OTHER THAN THAT FOR WHICH IT WAS FURNISHED.

PROJECT:
**NORTHERN MAT AND BRIDGE L.P.
SERIAL NUMBER 724**

TITLE:
DIAPHRAGM DETAILS

ENG BY: AE	DATE: JAN. 2012	LEAD: RSB	JOB NO.: 6214
CAD BY: JEFF NAVRATIL	DATE: MAY 31, 13	SCALE: 1:20	SHEET 6 OF 11
APP BY: STEVE BUBURUZ	DATE: DEC. 03, 13	DRAWING NUMBER:	REV
ISSUED BY: JEFF NAVRATIL	DATE: DEC. 03, 13	RS-6214-06	



DECK CLIP PLATE ASSEMBLY DETAIL
SCALE 1:10

BILL OF MATERIALS - JOB # 6214

ITEM	QTY	DESCRIPTION OR NAME	SIZE	WT. LBS. TOTAL
700	18	DECK CLIP PLATE	25.4 x 100 x 210	166
701	18	DECK CLIP PLATE SPACER	31.75 x 100 x 100	99
702	18	GRADE A307 HDG BOLT	1" DIA. x 3" LONG	45
703	18	HDG FLAT WASHER	1" DIA.	45

REV	DATE	DESCRIPTION	BY
0	DEC. 03, 13	ISSUED FOR CONSTRUCTION	JN
A	MAY 31, 13	PRELIMINARY	JN



Web Site: <http://www.rapidspan.com>

Tel: 1-800-661-2047

NOTICE: THIS DRAWING HAS NOT BEEN PUBLISHED AND IS THE SOLE PROPERTY OF RAPID-SPAN STRUCTURES LTD AND IS LENT TO THE BORROWER FOR HIS CONFIDENTIAL USE ONLY; AND IN CONSIDERATION OF THE LOAN OF THIS DRAWING, THE BORROWER PROMISES AND AGREES TO RETURN IT UPON REQUEST AND AGREES THAT IT SHALL NOT BE REPRODUCED, COPIED, LENT OR OTHERWISE DISPOSED OF DIRECTLY OR INDIRECTLY, NOR USED FOR ANY PURPOSE OTHER THAN THAT FOR WHICH IT WAS FURNISHED.

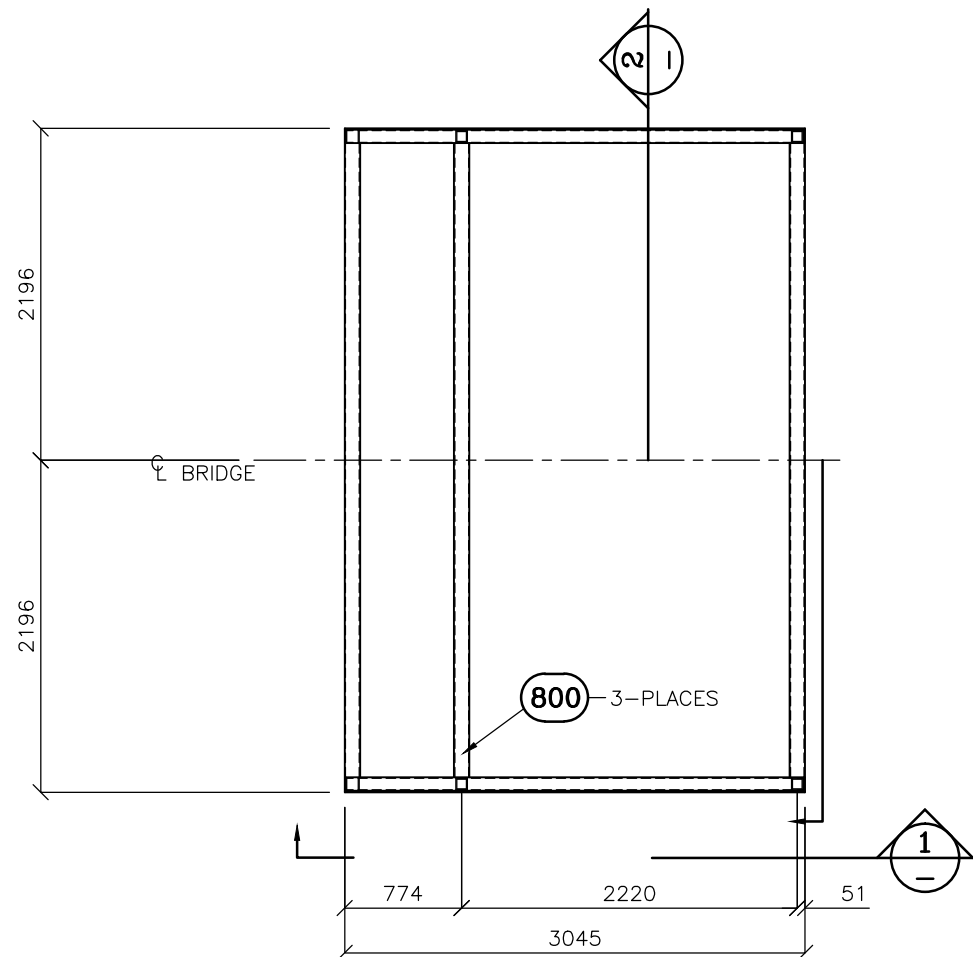
PROJECT:

**NORTHERN MAT AND BRIDGE L.P.
SERIAL NUMBER 724**

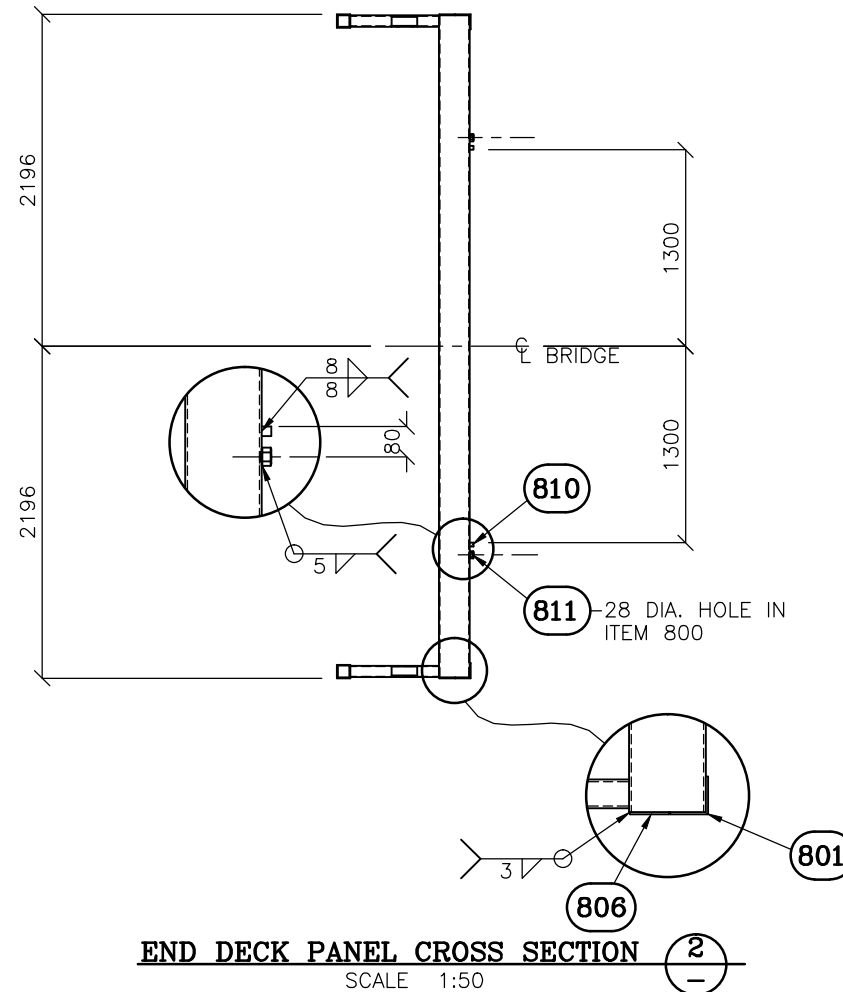
TITLE:

DECK CLIP PLATE DETAILS

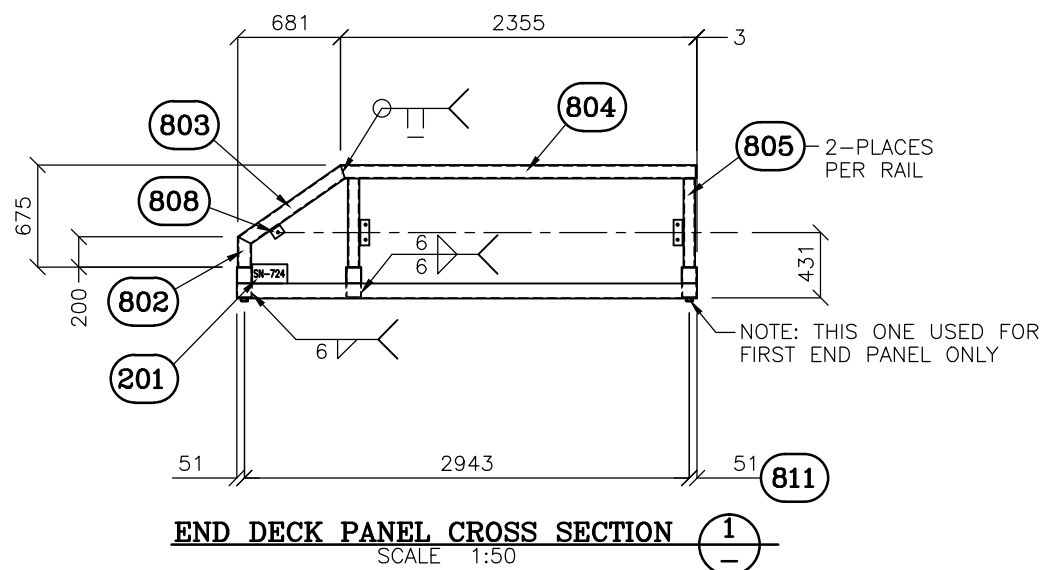
ENG BY: AE	DATE: JAN. 2012	LEAD: RSB	JOB NO.: 6214
CAD BY: JEFF NAVRATIL	DATE: MAY 31, 13	SCALE: AS SHOWN	SHEET 7 OF 11
APP BY: STEVE BUBURUZ	DATE: DEC. 03, 13	DRAWING NUMBER:	REV
ISSUED BY: JEFF NAVRATIL	DATE: DEC. 03, 13	RS-6214-07	



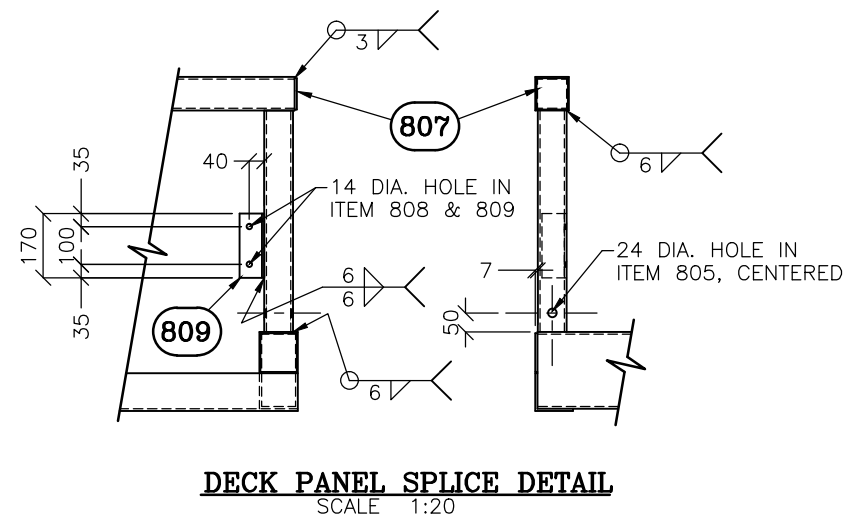
NOTE: 2-DECK PANELS REQUIRED
END DECK PANEL PLAN
 SCALE 1:50



END DECK PANEL CROSS SECTION
 SCALE 1:50



END DECK PANEL CROSS SECTION
 SCALE 1:50



DECK PANEL SPLICE DETAIL
 SCALE 1:20

BILL OF MATERIALS - JOB # 6214

ITEM	QTY	DESCRIPTION OR NAME	SIZE	WT LBS. TOTAL
800	18	FRAME STRUT MEMBER	203 x 101 x 6 HSS x 4380	4915
801	16	FRAME LONGITUDINAL MEMBER	100 x 100 x 6 L x 3045	982
802	4	VERTICAL RAIL	89 x 89 x 6 HSS x 200	28
803	4	DIAGONAL RAIL	89 x 89 x 6 HSS x 830	114
804	4	HORIZONTAL RAIL	89 x 89 x 6 HSS x 2349	324
805	32	RAIL POST	76 x 76 x 6 HSS x 586	540
806	36	FRAME STRUT CAP PLATE	6.35 x 95 x 104	39
807	28	RAIL CAP PLATE	6.35 x 83 x 83	21
808	4	SINGLE CLIP ANGLE	65 x 65 x 6 L x 75	4
809	32	DOUBLE CLIP ANGLE	65 x 65 x 6 L x 170	70
810	32	DECK KEEPER	25.4 x 25.4 x 50	18
811	32	HDG NUT	1" DIA.	3

REV	DATE	DESCRIPTION	BY
0	DEC. 03, 13	ISSUED FOR CONSTRUCTION	JN
A	MAY 31, 13	PRELIMINARY	JN



Web Site: <http://www.rapidspan.com>

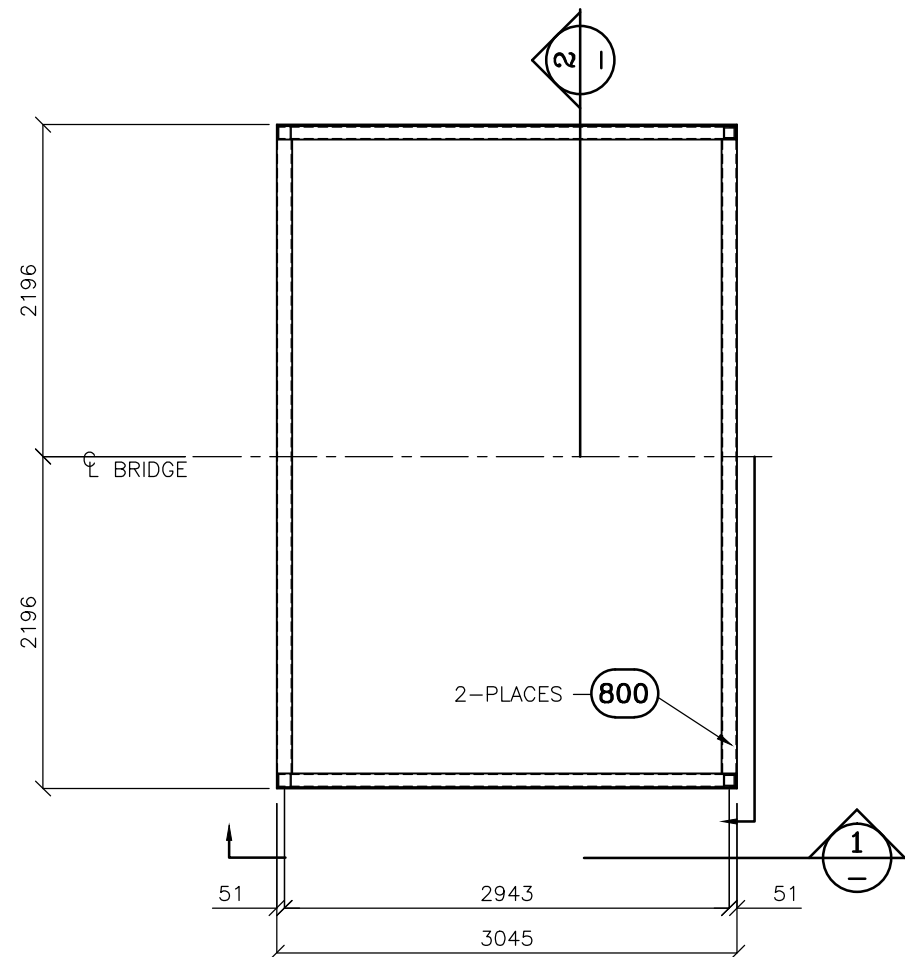
Tel: 1-800-661-2047

NOTICE: THIS DRAWING HAS NOT BEEN PUBLISHED AND IS THE SOLE PROPERTY OF RAPID-SPAN STRUCTURES LTD AND IS LENT TO THE BORROWER FOR HIS CONFIDENTIAL USE ONLY; AND IN CONSIDERATION OF THE LOAN OF THIS DRAWING, THE BORROWER PROMISES AND AGREES TO RETURN IT UPON REQUEST AND AGREES THAT IT SHALL NOT BE REPRODUCED, COPIED, LENT OR OTHERWISE DISPOSED OF DIRECTLY OR INDIRECTLY, NOR USED FOR ANY PURPOSE OTHER THAN THAT FOR WHICH IT WAS FURNISHED.

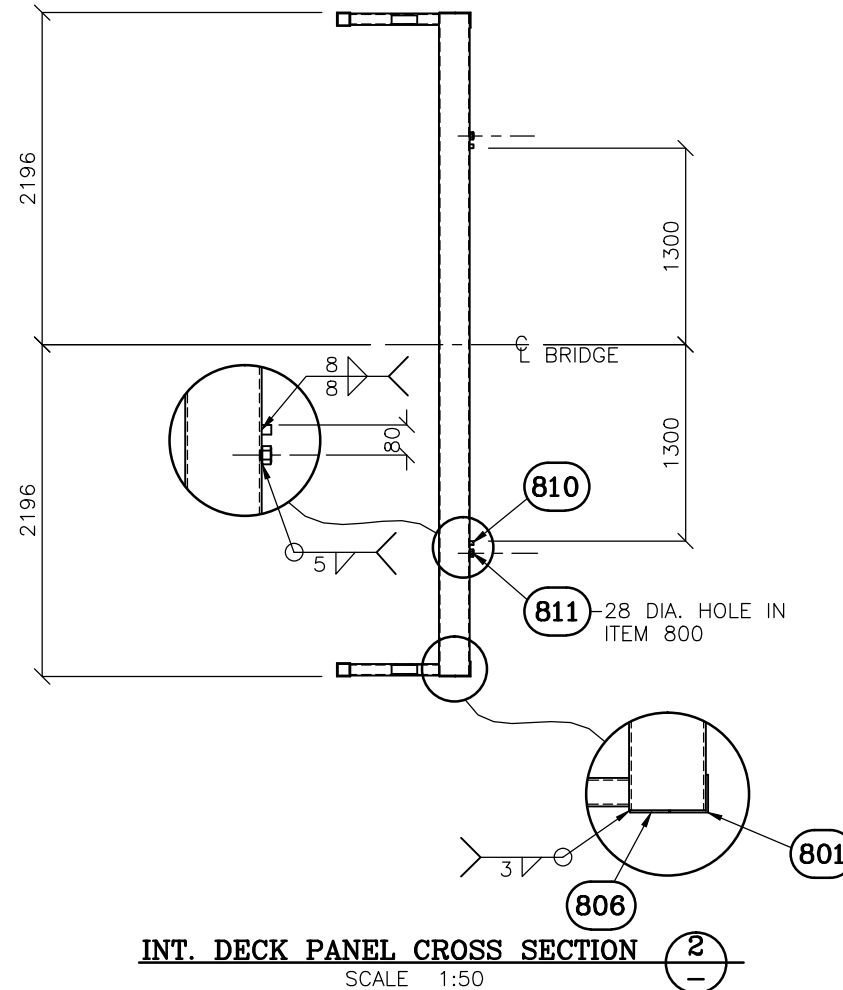
PROJECT:
NORTHERN MAT AND BRIDGE L.P.
SERIAL NUMBER 724

TITLE:
END DECK PANEL STEEL FRAME DETAILS

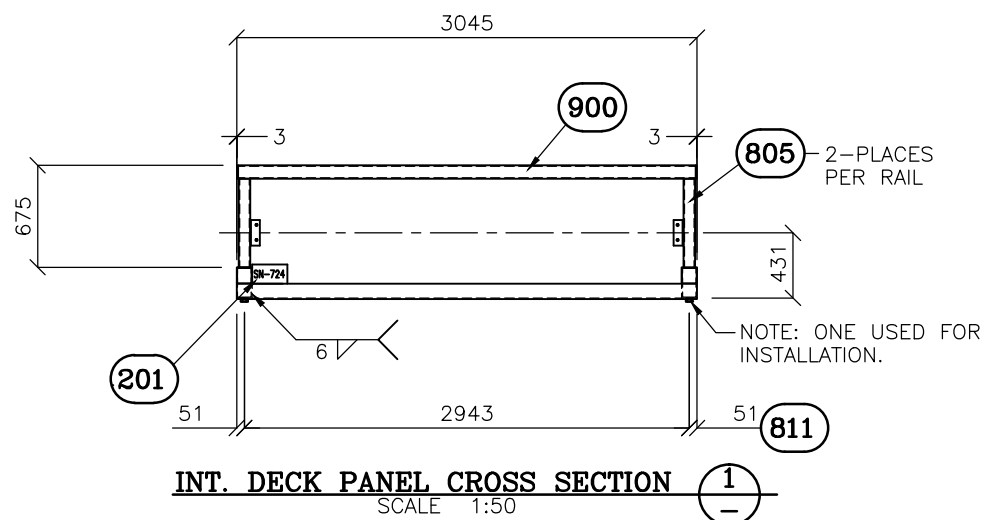
ENG BY: AE	DATE: JAN. 2012	LEAD: RSB	JOB NO.: 6214
CAD BY: JEFF NAVRATIL	DATE: MAY 31, 13	SCALE: AS SHOWN	SHEET 8 OF 11
APP BY: STEVE BUBURUZ	DATE: DEC. 03, 13	DRAWING NUMBER:	REV
ISSUED BY: JEFF NAVRATIL	DATE: DEC. 03, 13	RS-6214-08	



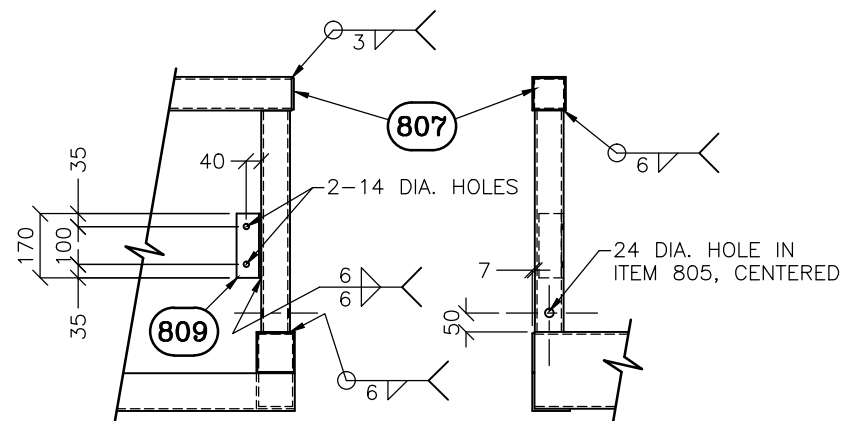
NOTE: 6-DECK PANELS REQUIRED
INTERMEDIATE DECK PANEL PLAN
 SCALE 1:50



INT. DECK PANEL CROSS SECTION
 SCALE 1:50



INT. DECK PANEL CROSS SECTION
 SCALE 1:50



DECK PANEL SPLICE DETAIL
 SCALE 1:20

BILL OF MATERIALS - JOB # 6214

ITEM	QTY	DESCRIPTION OR NAME	SIZE	WT LBS.
900	12	HORIZONTAL RAIL	89 x 89 x 6 HSS x 3027	1251

REV	DATE	DESCRIPTION	BY
0	DEC. 03, 13	ISSUED FOR COSTRUCTION	JN
A	MAY 31, 13	PRELIMINARY	JN



Web Site: <http://www.rapidspan.com>

Tel: 1-800-661-2047

NOTICE: THIS DRAWING HAS NOT BEEN PUBLISHED AND IS THE SOLE PROPERTY OF RAPID-SPAN STRUCTURES LTD AND IS LENT TO THE BORROWER FOR HIS CONFIDENTIAL USE ONLY; AND IN CONSIDERATION OF THE LOAN OF THIS DRAWING, THE BORROWER PROMISES AND AGREES TO RETURN IT UPON REQUEST AND AGREES THAT IT SHALL NOT BE REPRODUCED, COPIED, LENT OR OTHERWISE DISPOSED OF DIRECTLY OR INDIRECTLY, NOR USED FOR ANY PURPOSE OTHER THAN THAT FOR WHICH IT WAS FURNISHED.

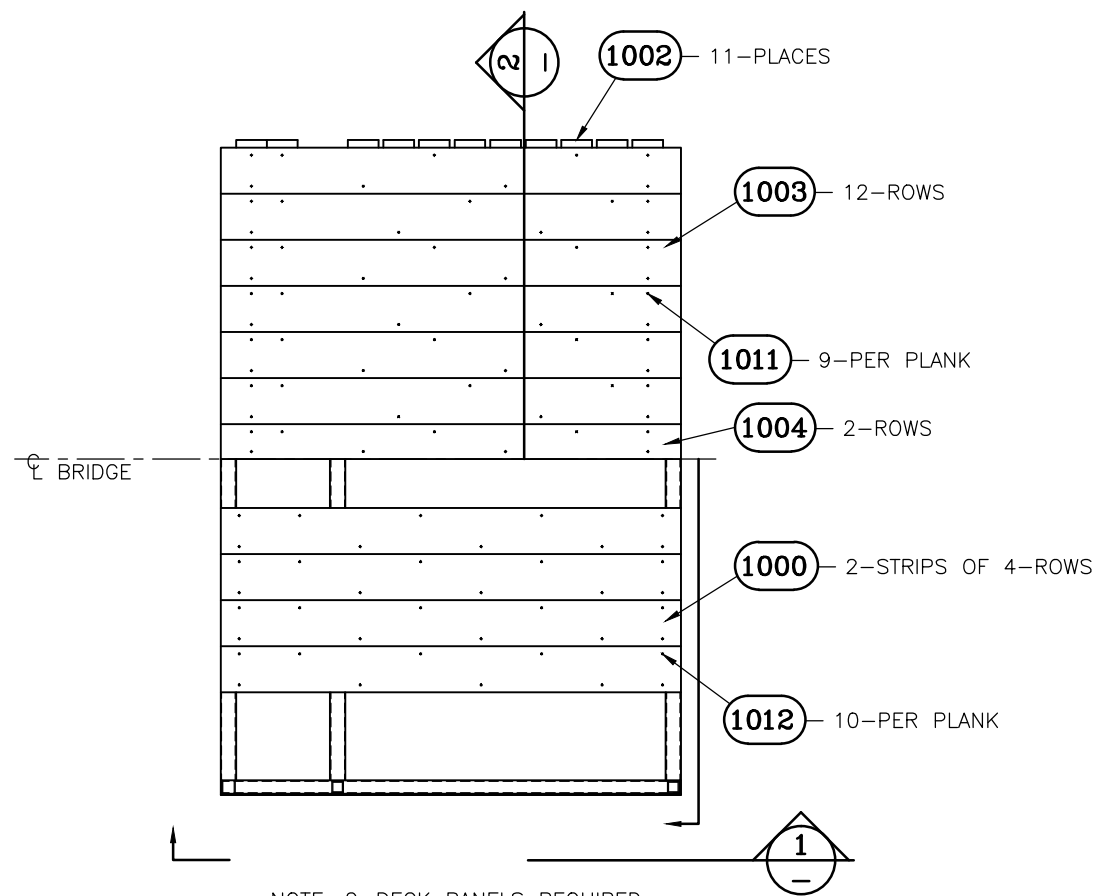
PROJECT:

**NORTHERN MAT AND BRIDGE L.P.
 SERIAL NUMBER 724**

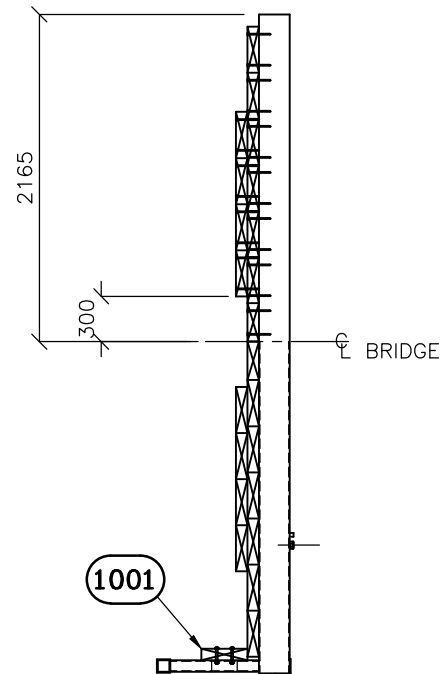
TITLE:

INTERMEDIATE DECK PANEL STEEL FRAME DETAILS

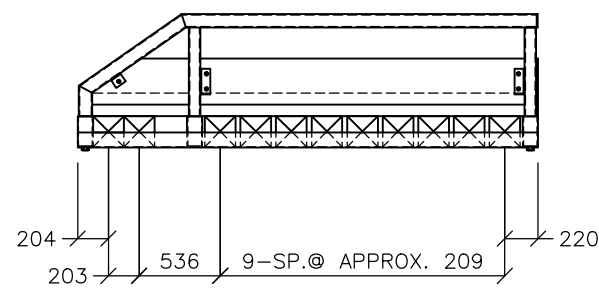
ENG BY: AE	DATE: JAN. 2012	LEAD: RSB	JOB NO.: 6214
CAD BY: JEFF NAVRATIL	DATE: MAY 31, 13	SCALE: AS SHOWN	SHEET 9 OF 11
APP BY: STEVE BUBURUZ	DATE: DEC. 03, 13	DRAWING NUMBER:	REV
ISSUED BY: JEFF NAVRATIL	DATE: DEC. 03, 13	RS-6214-09	



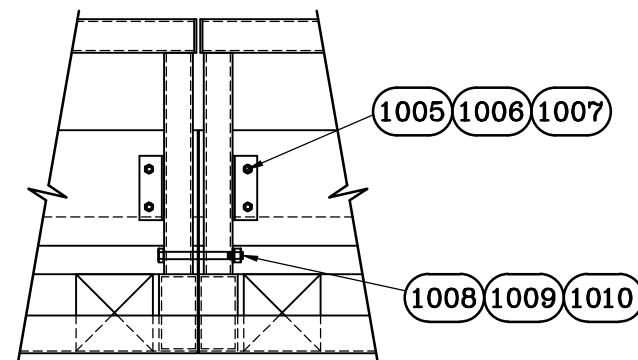
NOTE: 2-DECK PANELS REQUIRED
END DECK PANEL PLAN
 SCALE 1:50



END DECK PANEL CROSS SECTION
 SCALE 1:50



END DECK PANEL CROSS SECTION
 SCALE 1:50



DECK PANEL SPlice DETAIL
 SCALE 1:20

BILL OF MATERIALS - JOB # 6214

ITEM	QTY	DESCRIPTION OR NAME	SIZE	WEIGHT LBS.
1000	64	UNTREATED RUNNING DECK PLANKS	3" x 12" x 10'-0"	4224
1001	4	UNTREATED MUD GUARD PLANKS	3" x 12" x 10'-0"	264
1002	100	CCA TREATED CROSS TIE	8" x 8" x 14'-2 1/2"	16427
1003	96	CCA TREATED SUB DECK PLANKS	3" x 12" x 10'-0"	6336
1004	16	CCA TREATED SUB DECK PLANKS	3" x 10" x 10'-0"	880
1005	68	GRADE A307 HDG CARRIAGE BOLT	1/2" DIA. x 4" LONG	29
1006	68	HDG NUT	1/2" DIA.	29
1007	68	HDG FLAT WASHER	1/2" DIA.	29
1008	10	GADE A307 HDG BOLT	3/4" DIA. x 9" LONG	10
1009	10	HDG NUT	3/4" DIA.	10
1010	10	HDG FLAT WASHER	3/4" DIA.	10
1011	1092	BRITE COMMON SPIKE	5/16" DIA. x 8" LONG	218
1012	640	BRITE COMMON SPIKE	1/4" DIA. x 6" LONG	64

ESTIMATED WEIGHT: 4,552 LBS. EACH

REV	DATE	DESCRIPTION	BY
0	DEC. 03, 13	ISSUED FOR CONSTRUCTION	JN
A	MAY 31, 13	PRELIMINARY	JN



Web Site: <http://www.rapidspan.com>

Tel: 1-800-661-2047

NOTICE: THIS DRAWING HAS NOT BEEN PUBLISHED AND IS THE SOLE PROPERTY OF RAPID-SPAN STRUCTURES LTD AND IS LENT TO THE BORROWER FOR HIS CONFIDENTIAL USE ONLY; AND IN CONSIDERATION OF THE LOAN OF THIS DRAWING, THE BORROWER PROMISES AND AGREES TO RETURN IT UPON REQUEST AND AGREES THAT IT SHALL NOT BE REPRODUCED, COPIED, LENT OR OTHERWISE DISPOSED OF DIRECTLY OR INDIRECTLY, NOR USED FOR ANY PURPOSE OTHER THAN THAT FOR WHICH IT WAS FURNISHED.

PROJECT:
NORTHERN MAT AND BRIDGE L.P.
 SERIAL NUMBER 724

TITLE:
END TIMBER DECK PANEL ASSEMBLY

ENG BY: AE	DATE: JAN. 2012	LEAD: RSB	JOB NO.: 6214
CAD BY: JEFF NAVRATIL	DATE: MAY 31, 13	SCALE: AS SHOWN	SHEET 10 OF 11
APP BY: STEVE BUBURUZ	DATE: DEC. 03, 13	DRAWING NUMBER:	REV
ISSUED BY: JEFF NAVRATIL	DATE: DEC. 03, 13	RS-6214-10	

BILL OF MATERIALS - JOB # 6214

ITEM	QTY	DESCRIPTION OR NAME	SIZE	WEIGHT LBS.
1100	12	UNTREATED MUD GUARD PLANKS	3" x 12" x 10'-0"	612

ESTIMATED WEIGHT: 4,587 LBS. EACH

REV	DATE	DESCRIPTION	BY
0	DEC. 03, 13	ISSUED FOR CONSTRUCTION	JN
A	MAY 31, 13	PRELIMINARY	JN



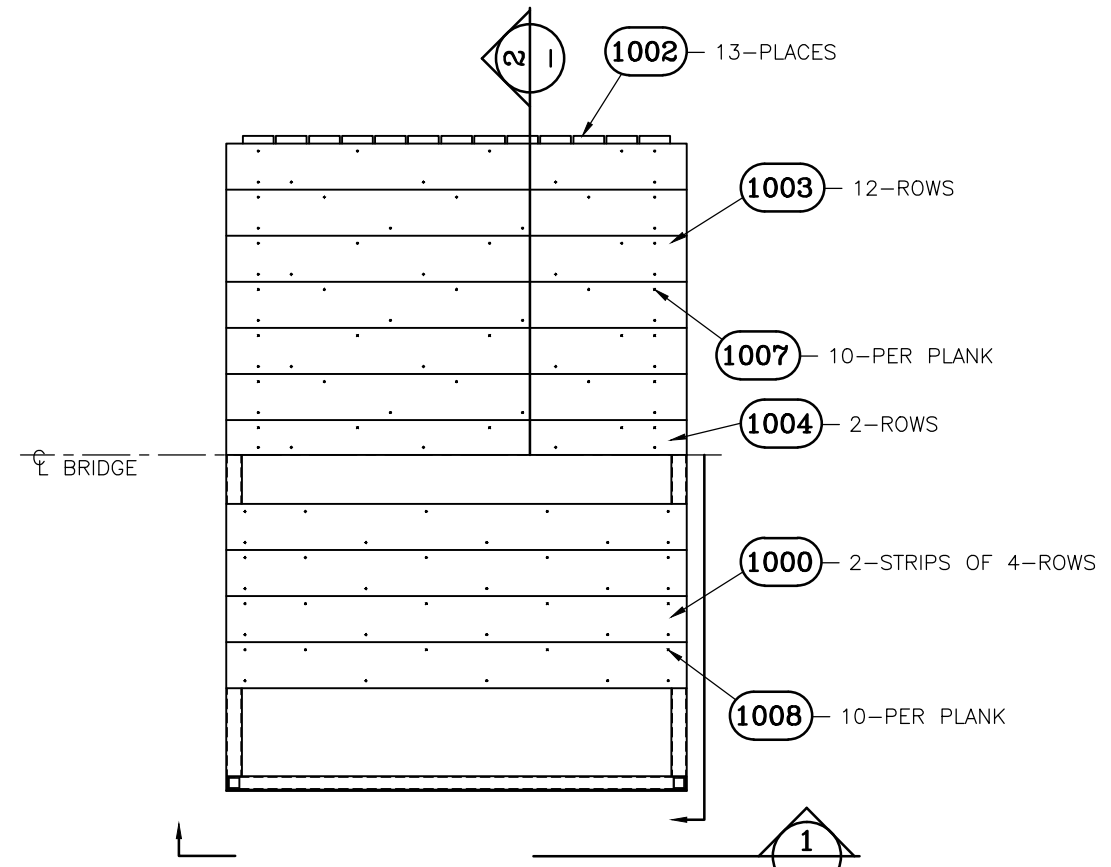
Web Site: <http://www.rapidspan.com> Tel: 1-800-661-2047

NOTICE: THIS DRAWING HAS NOT BEEN PUBLISHED AND IS THE SOLE PROPERTY OF RAPID-SPAN STRUCTURES LTD AND IS LENT TO THE BORROWER FOR HIS CONFIDENTIAL USE ONLY; AND IN CONSIDERATION OF THE LOAN OF THIS DRAWING, THE BORROWER PROMISES AND AGREES TO RETURN IT UPON REQUEST AND AGREES THAT IT SHALL NOT BE REPRODUCED, COPIED, LENT OR OTHERWISE DISPOSED OF DIRECTLY OR INDIRECTLY, NOR USED FOR ANY PURPOSE OTHER THAN THAT FOR WHICH IT WAS FURNISHED.

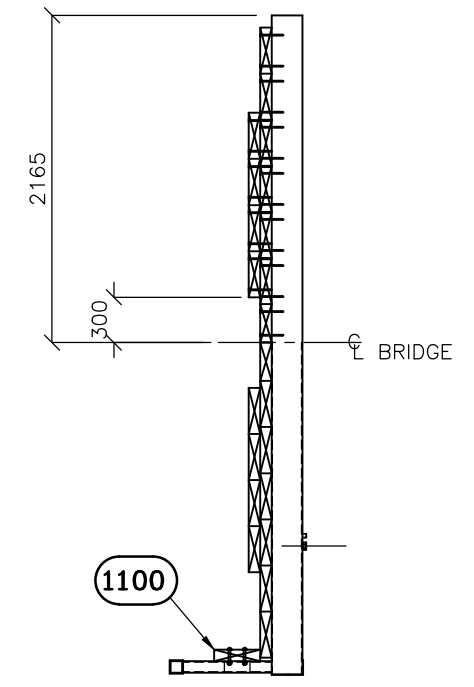
PROJECT:
**NORTHERN MAT AND BRIDGE L.P.
SERIAL NUMBER 724**

TITLE:
INTERMEDIATE TIMBER DECK PANEL ASSEMBLY

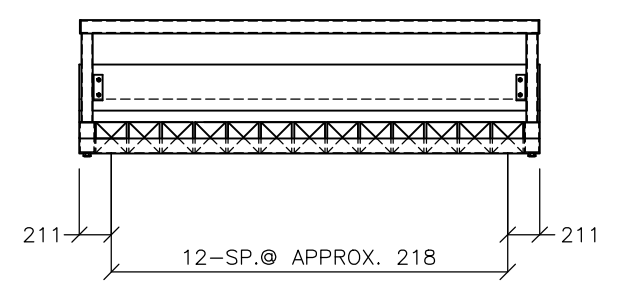
ENG BY: AE	DATE: JAN. 2012	LEAD: RSB	JOB NO.: 6214
CAD BY: JEFF NAVRATIL	DATE: MAY 31, 13	SCALE: AS SHOWN	SHEET 11 OF 11
APP BY: STEVE BUBURUZ	DATE: DEC. 03, 13	DRAWING NUMBER:	REV
ISSUED BY: JEFF NAVRATIL	DATE: DEC. 03, 13	RS-6214-11	



NOTE: 6-DECK PANELS REQUIRED
INTERMEDIATE DECK PANEL PLAN
SCALE 1:50



INT. DECK PANEL CROSS SECTION
SCALE 1:50



INT. DECK PANEL CROSS SECTION
SCALE 1:50