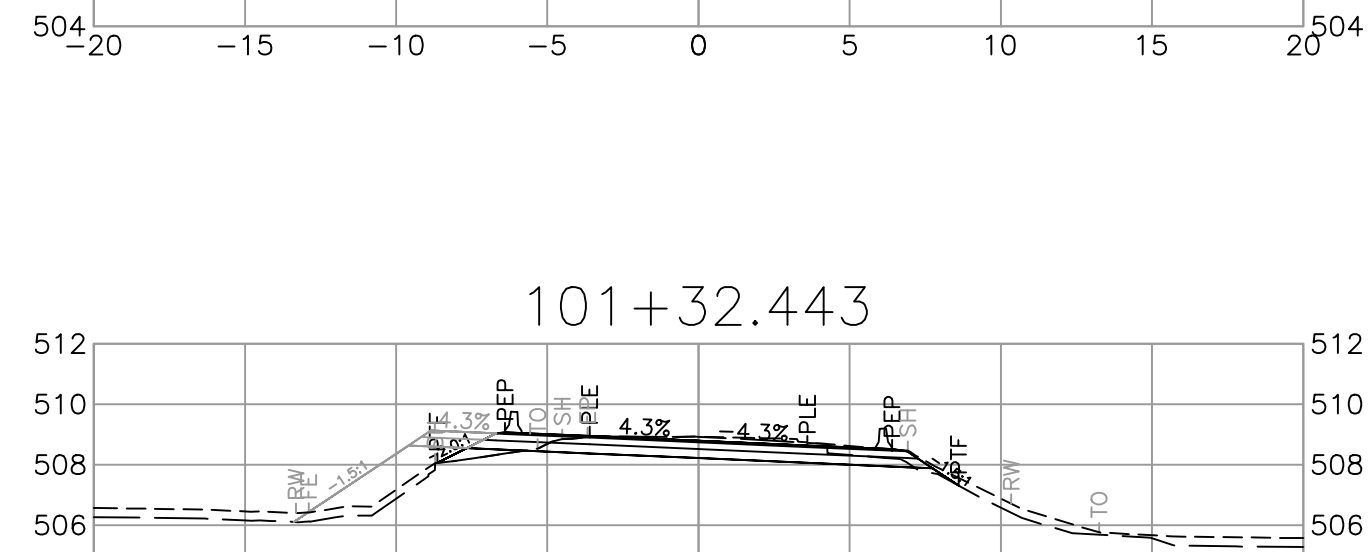
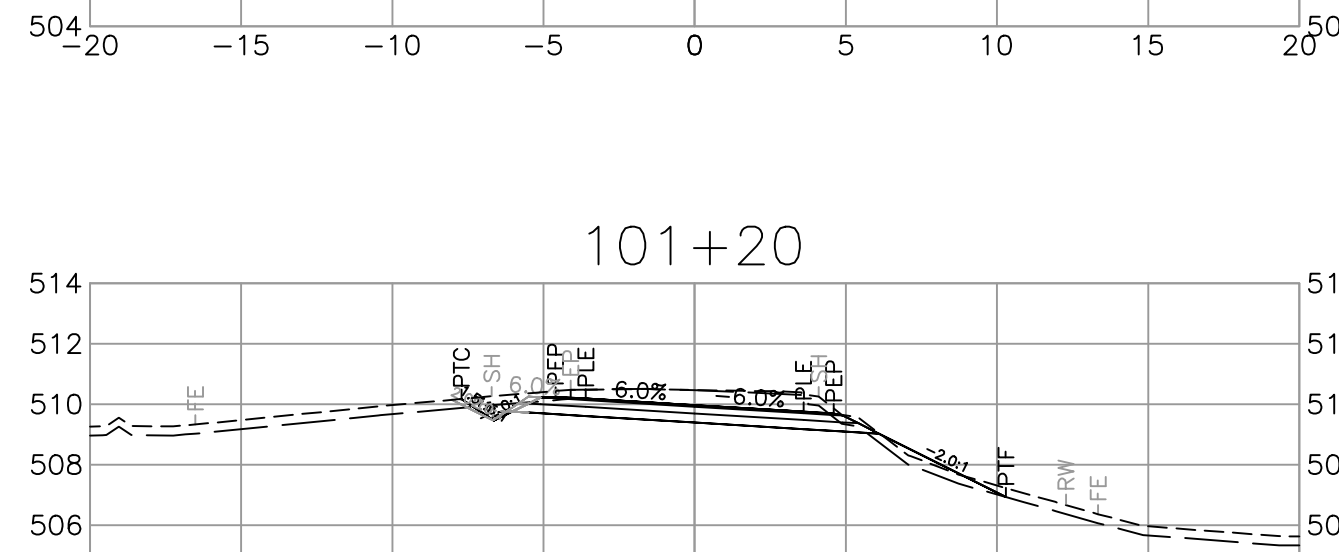
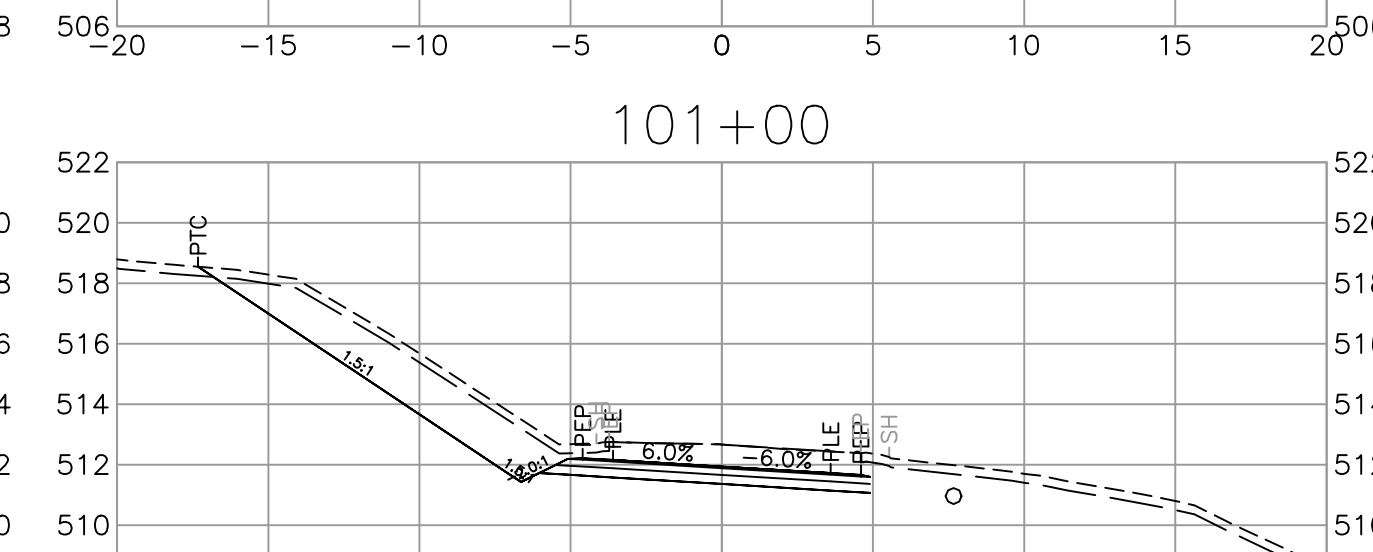
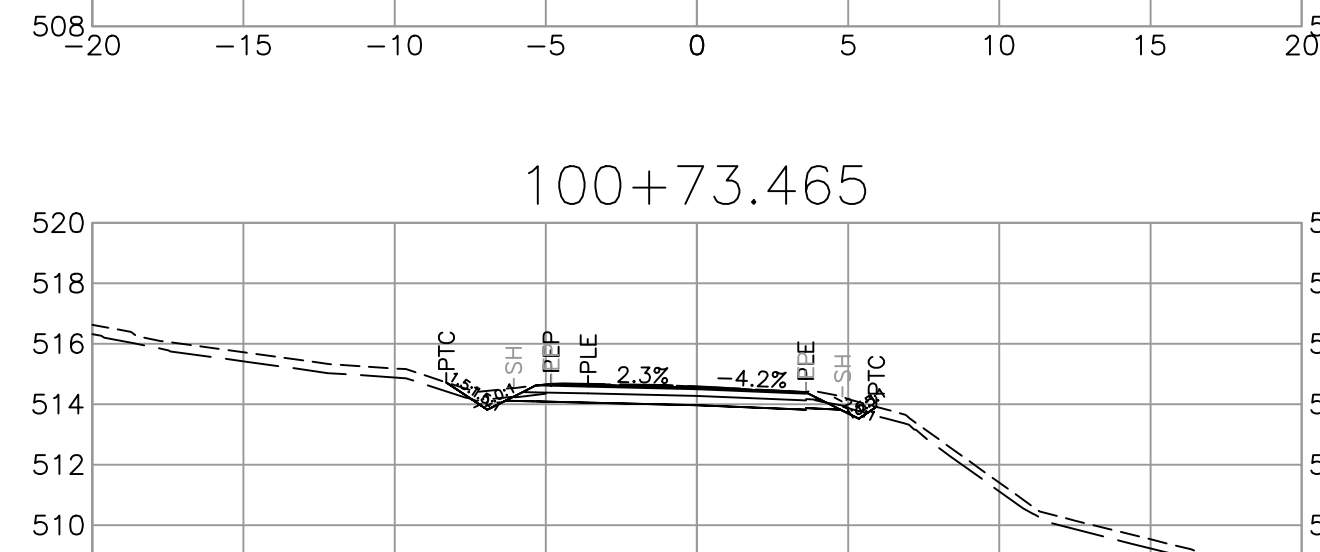
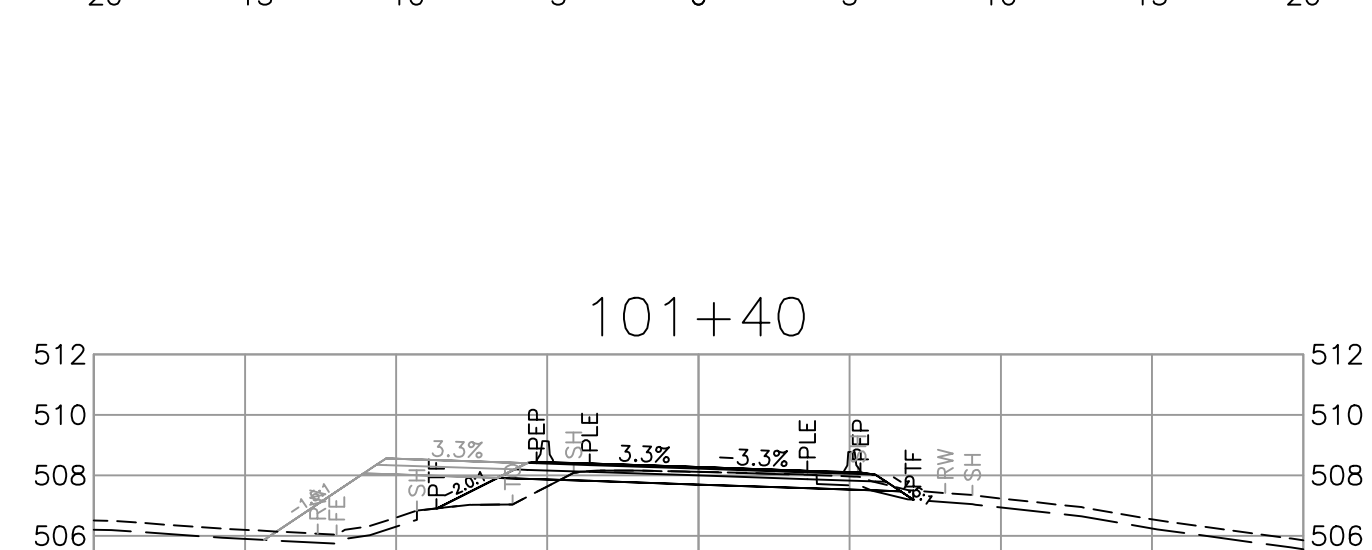
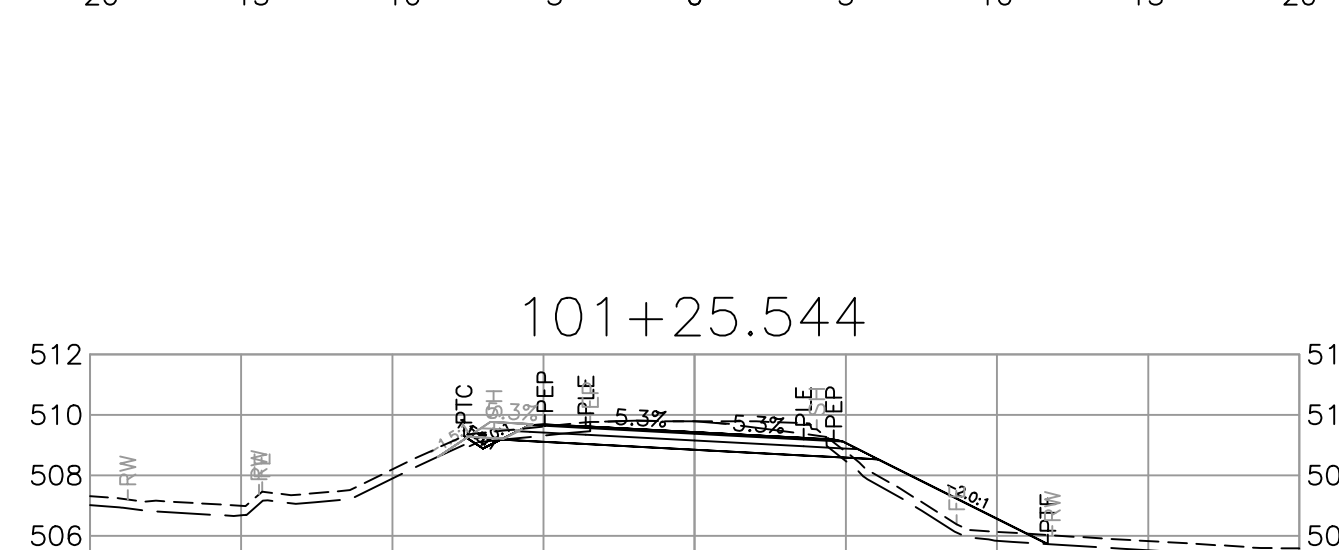
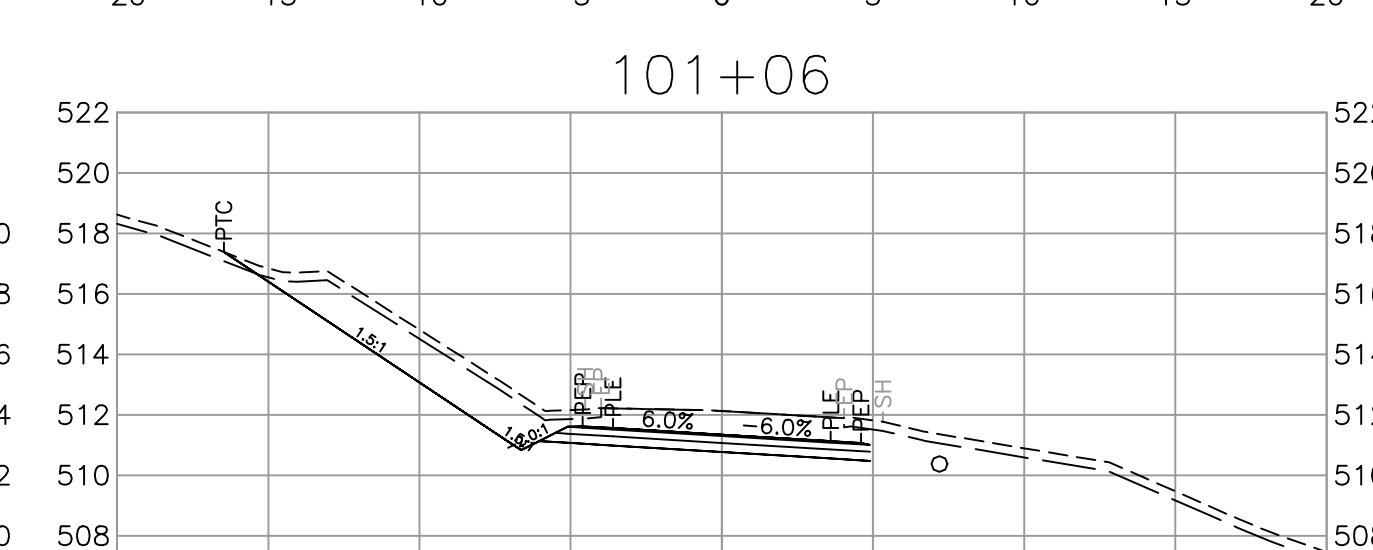
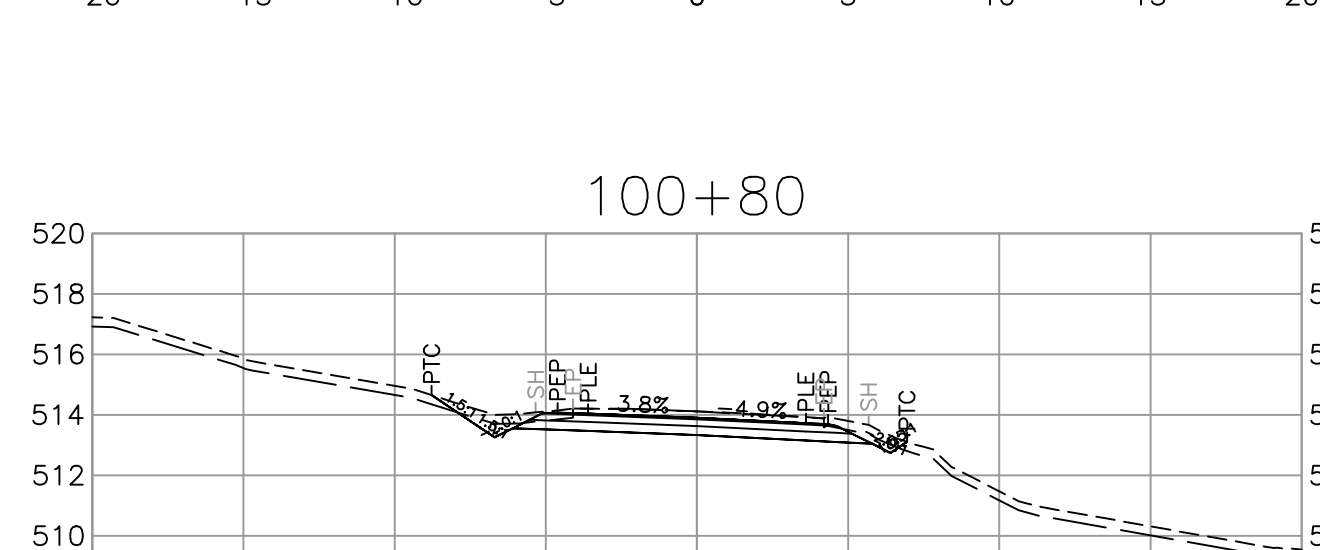
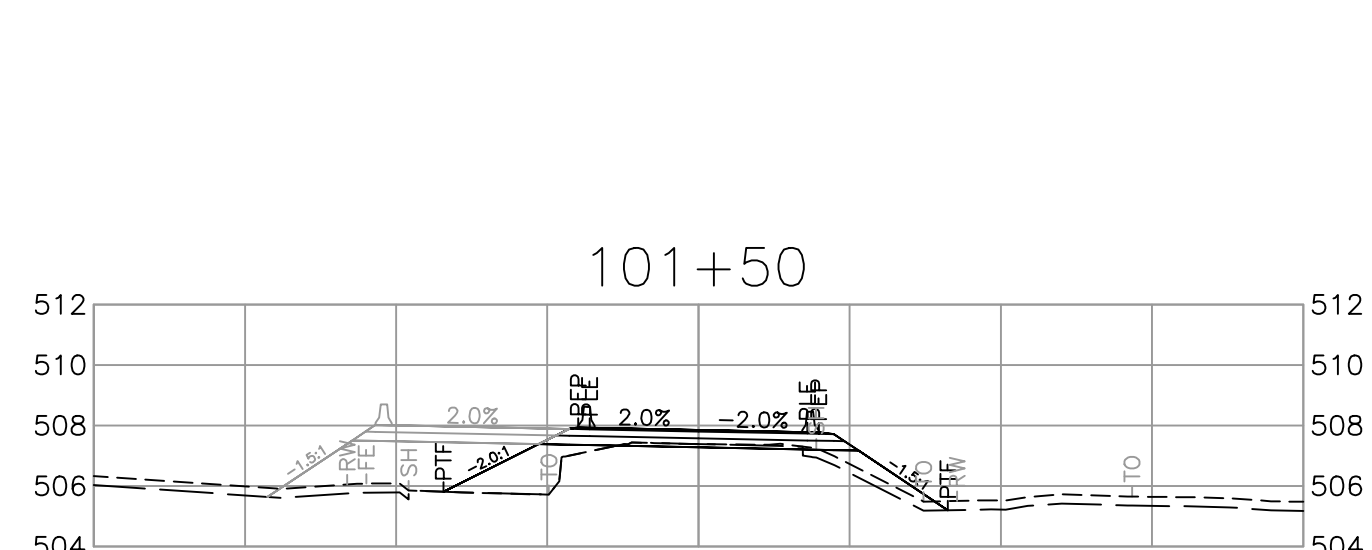
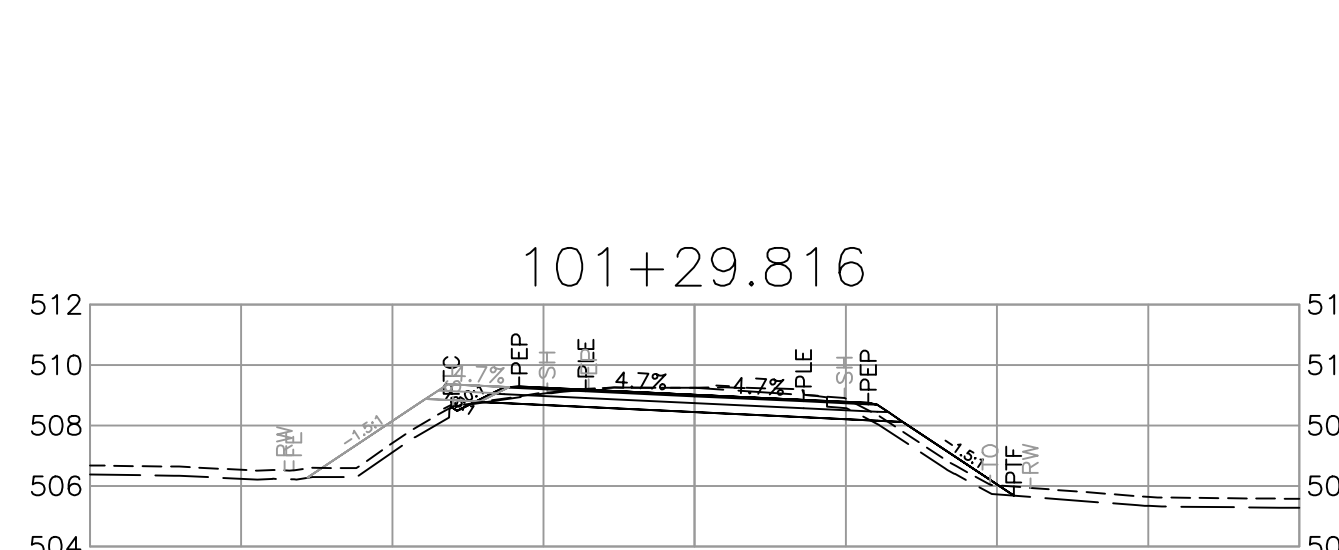
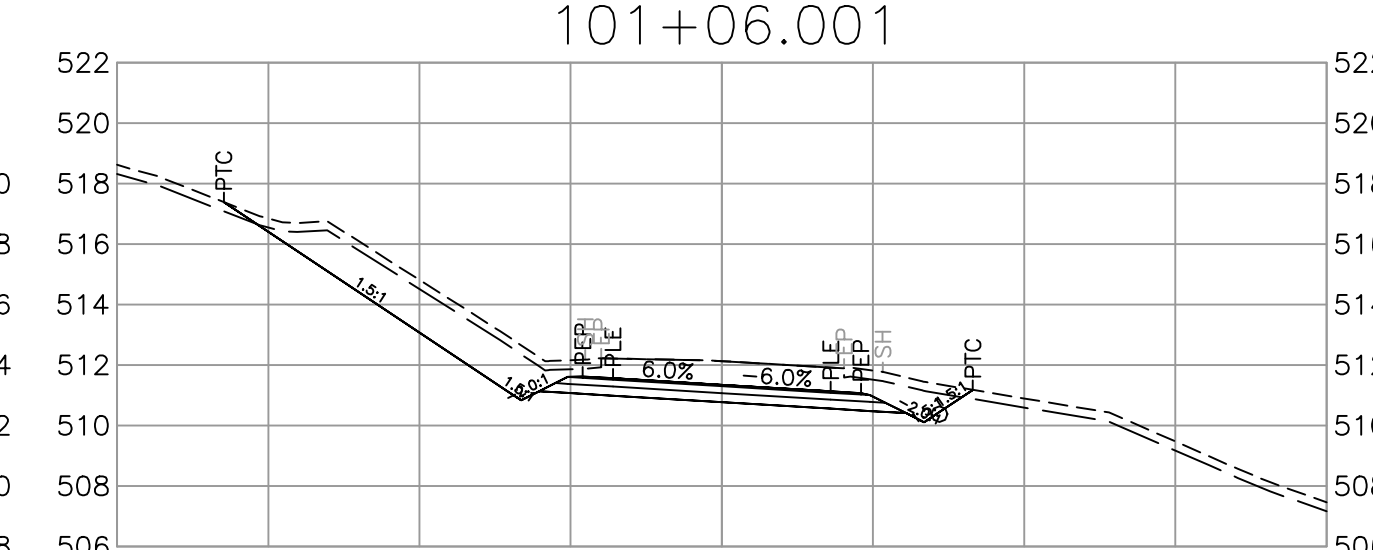
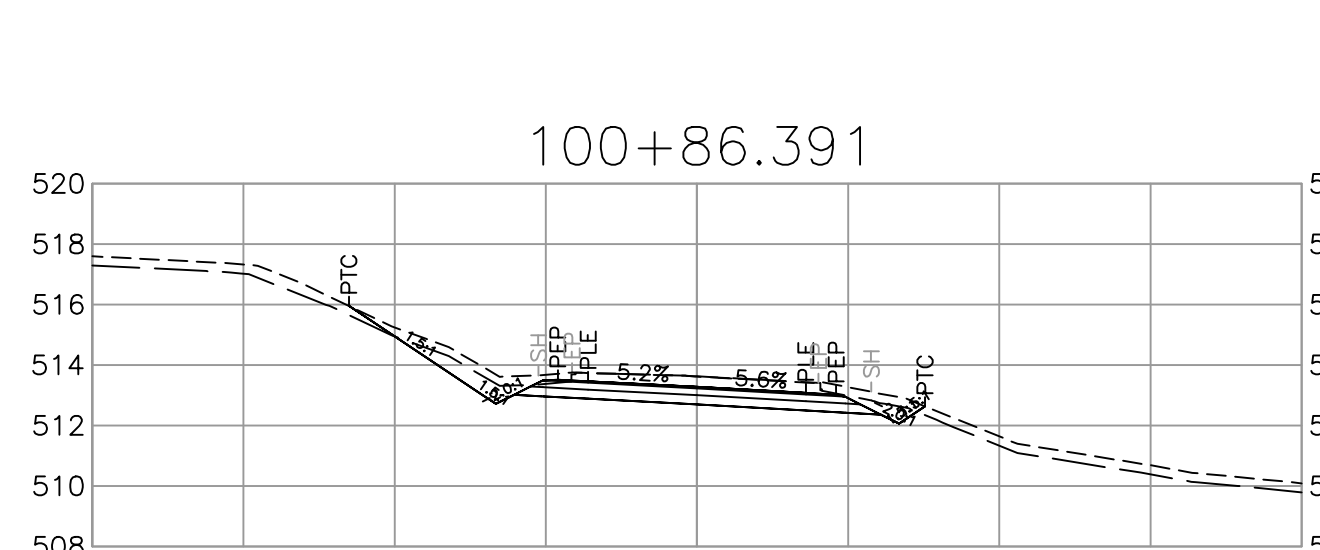
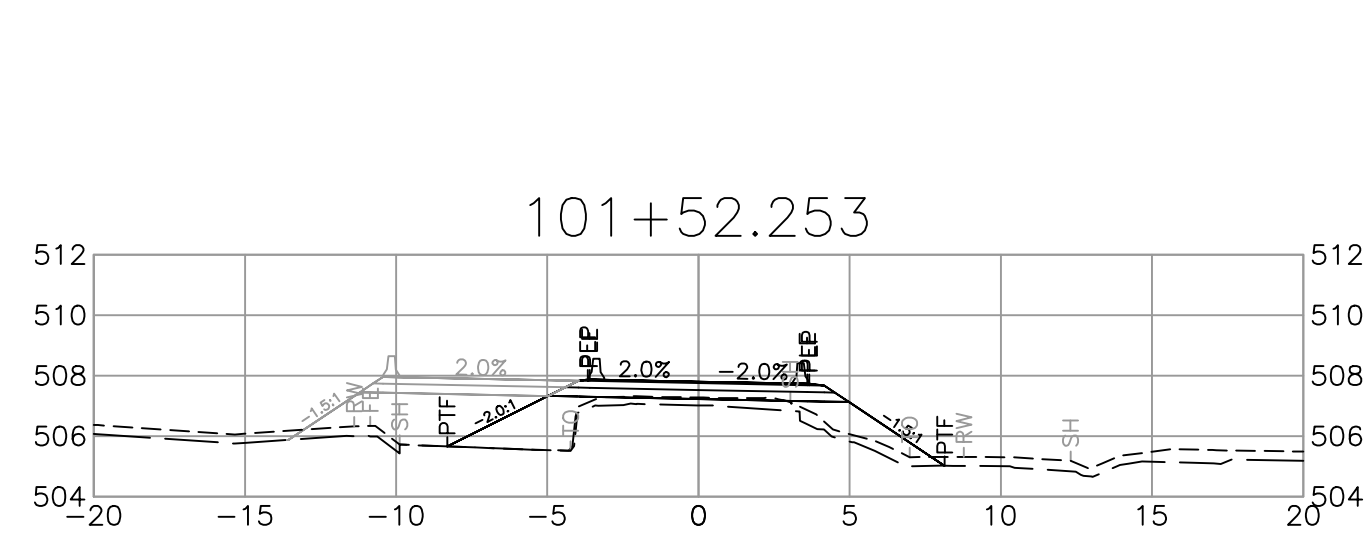
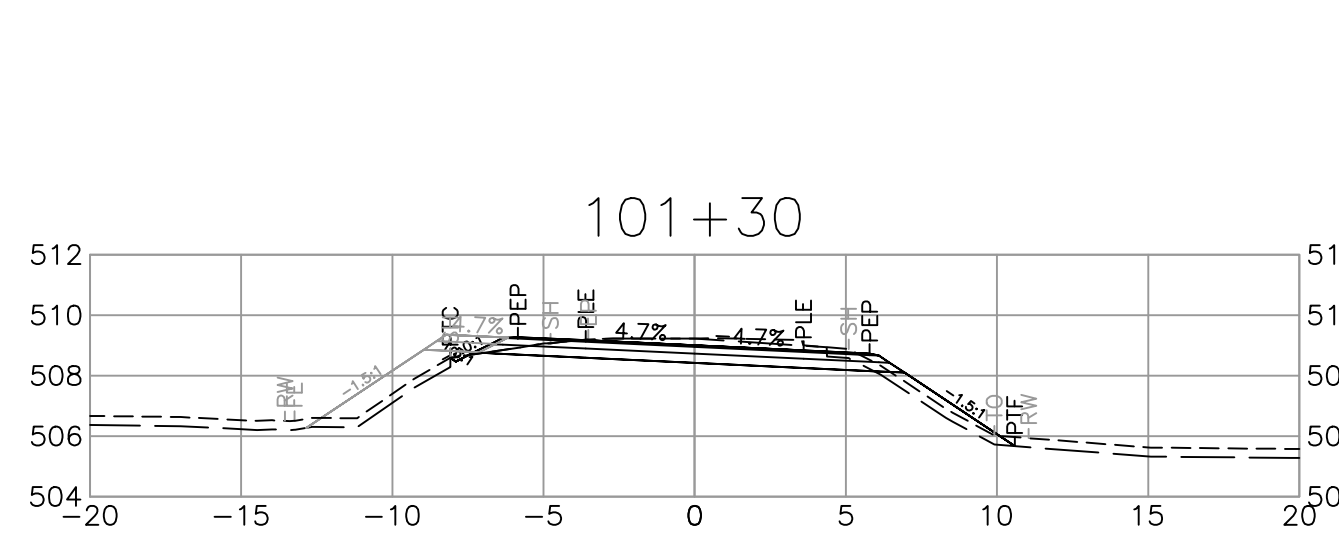
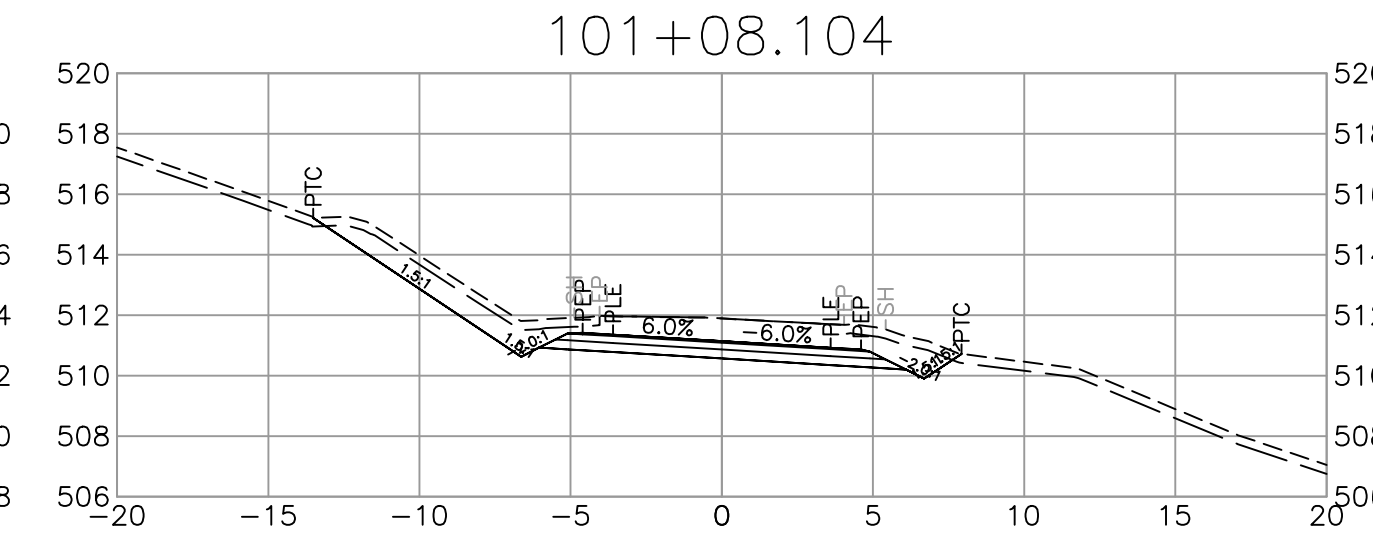
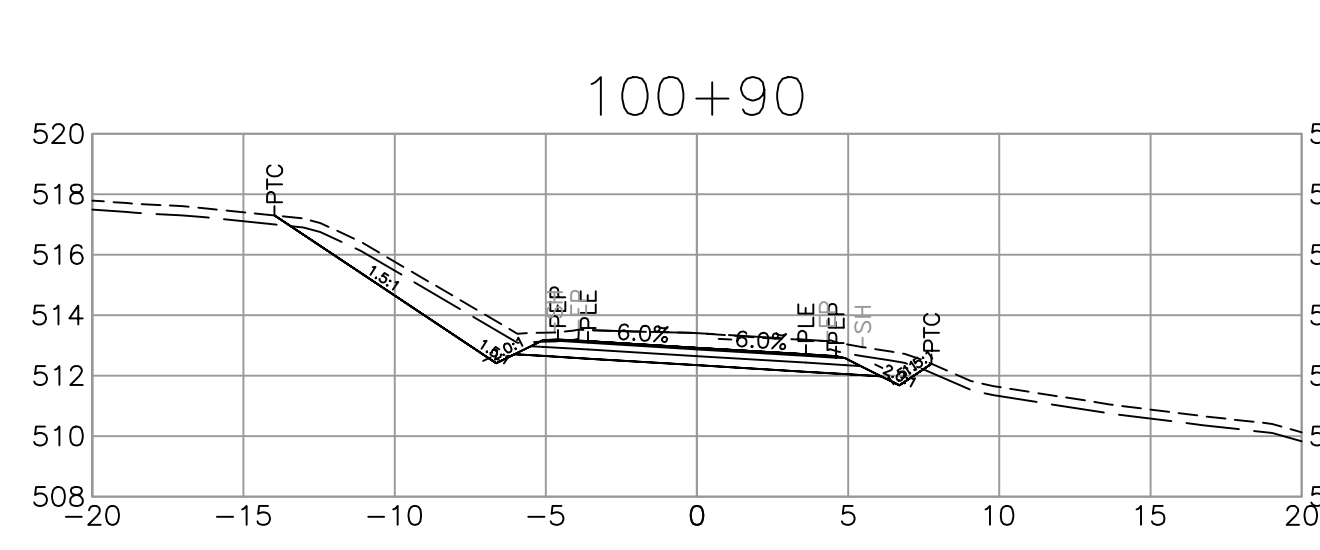
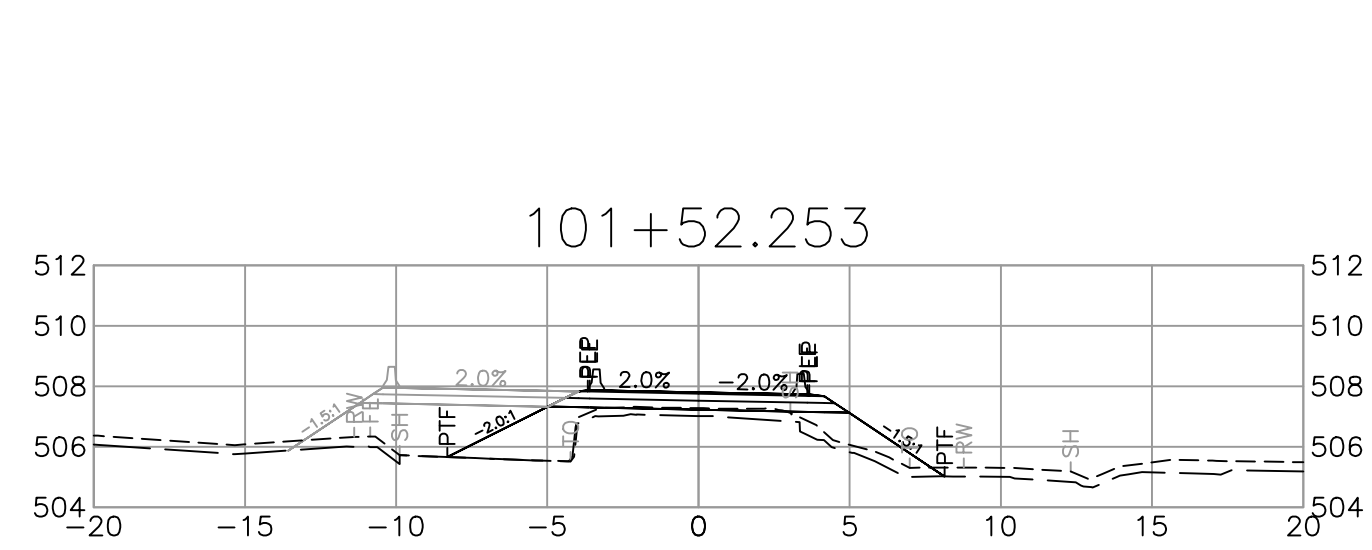
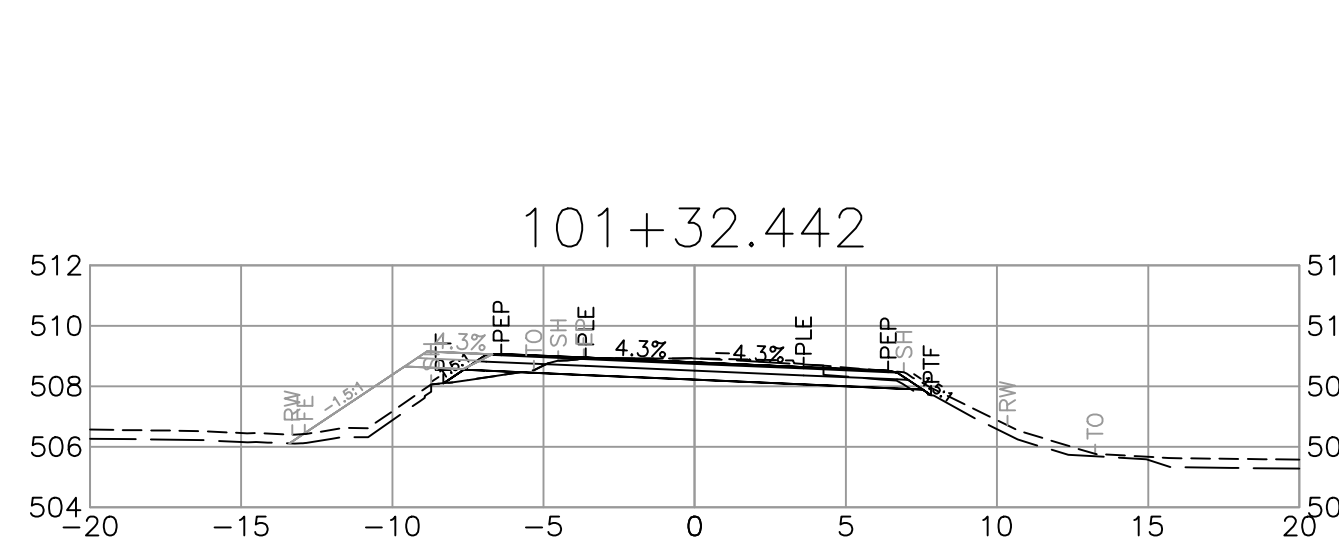
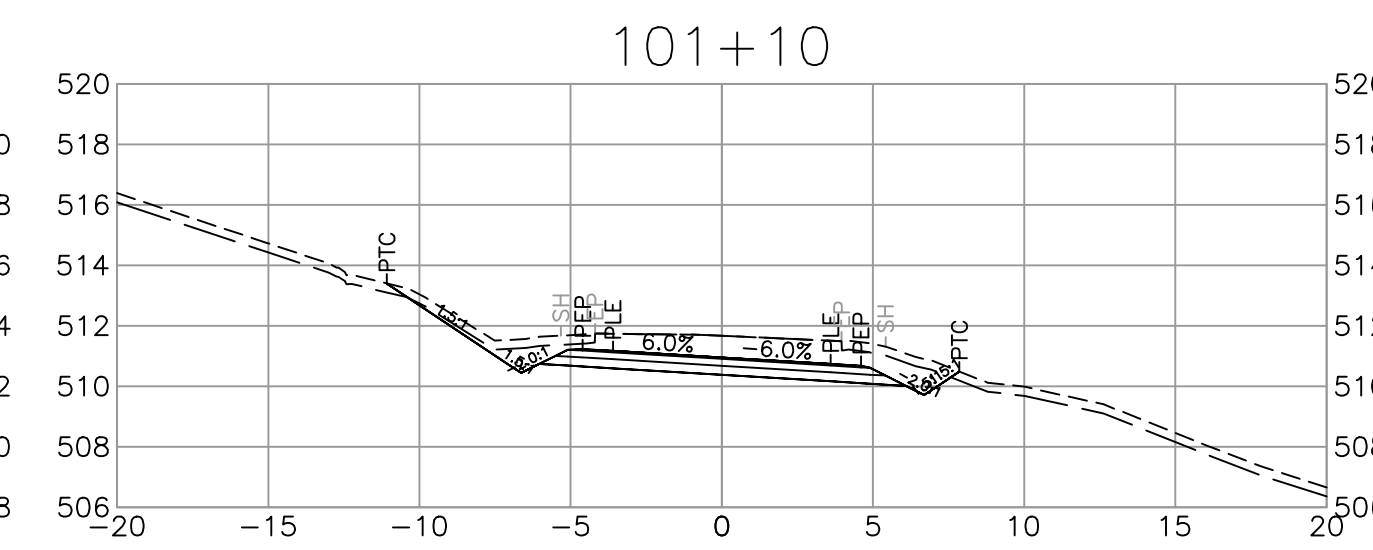
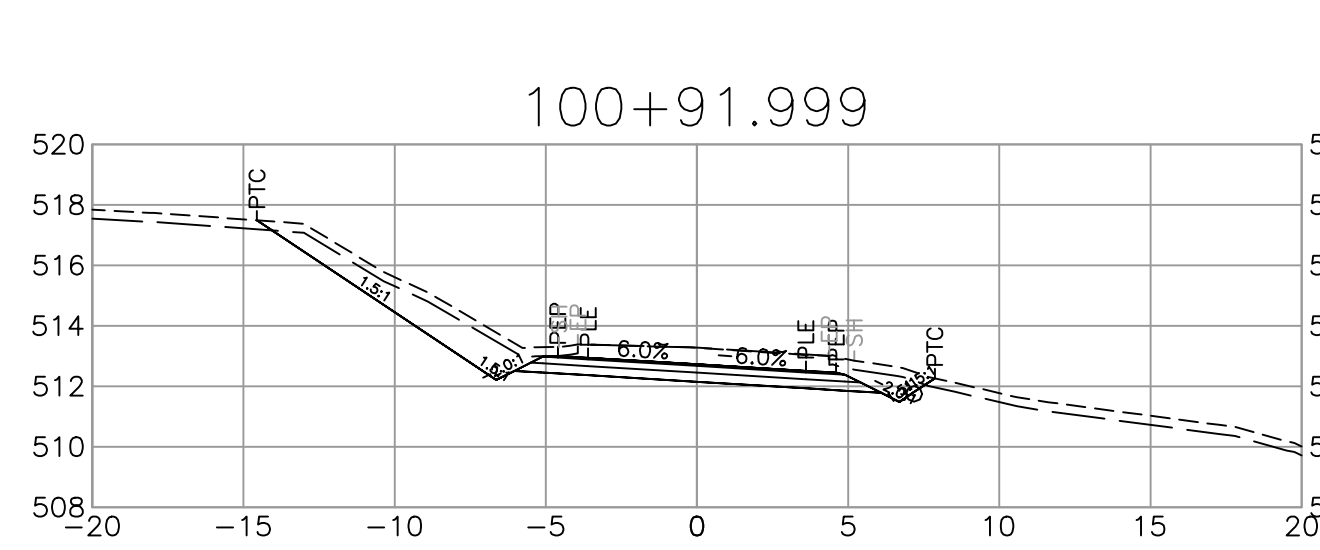
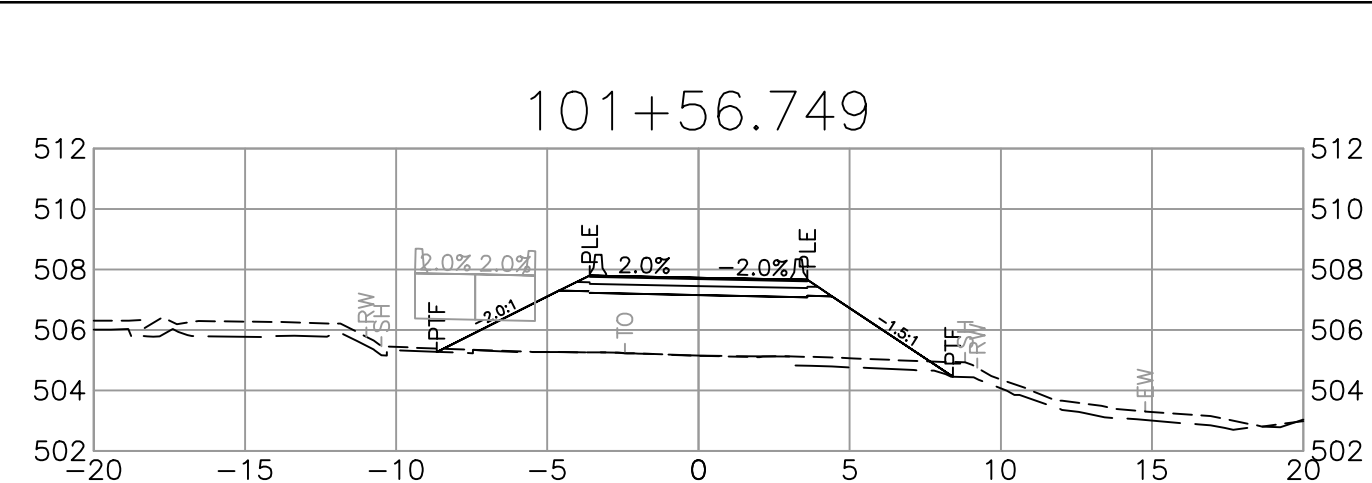
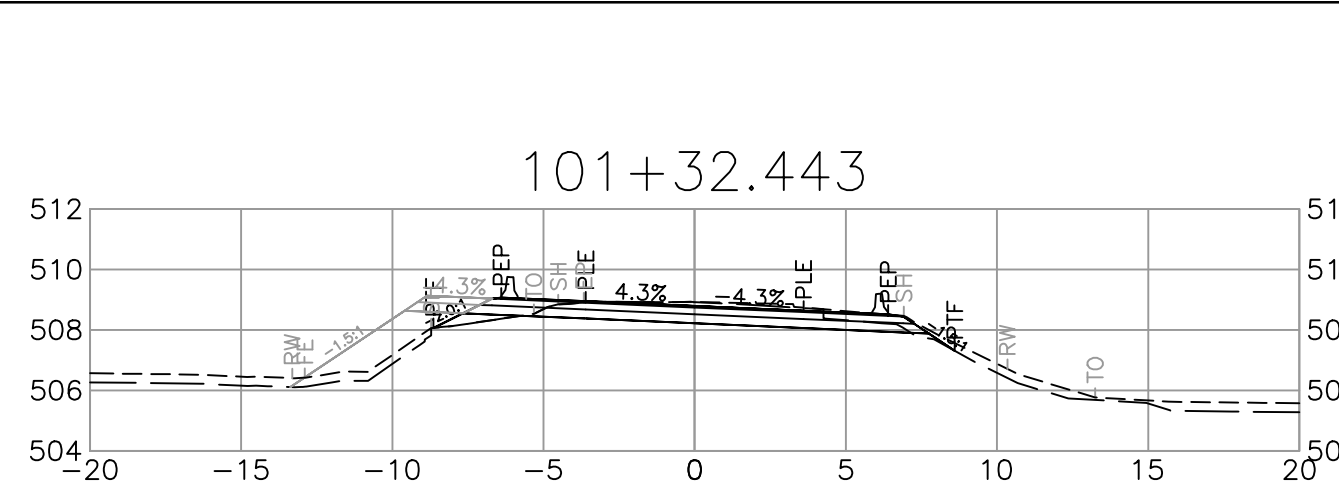
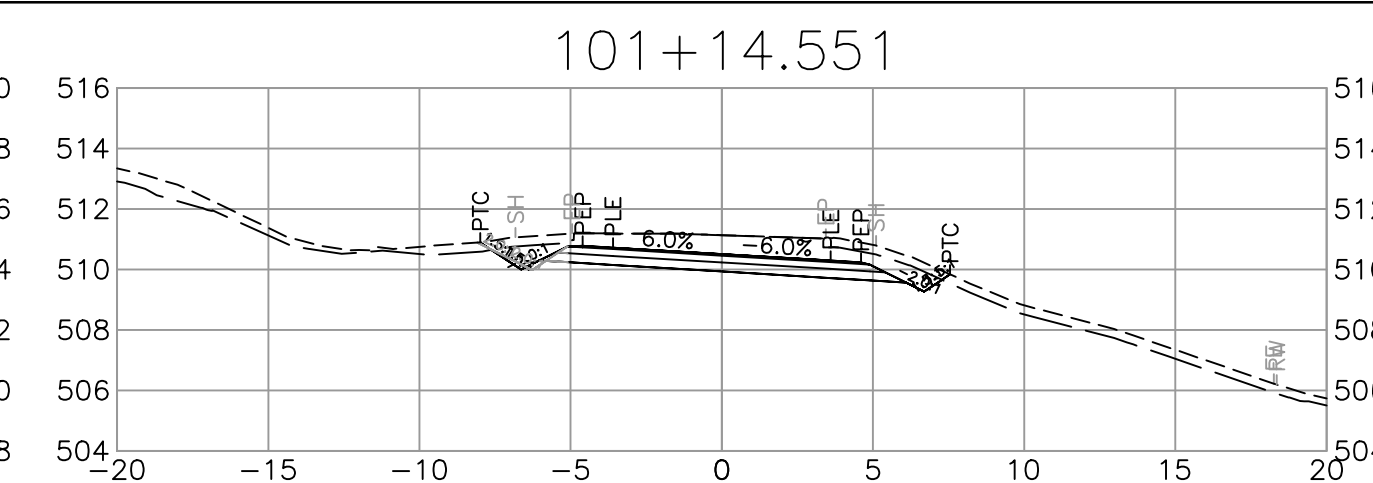
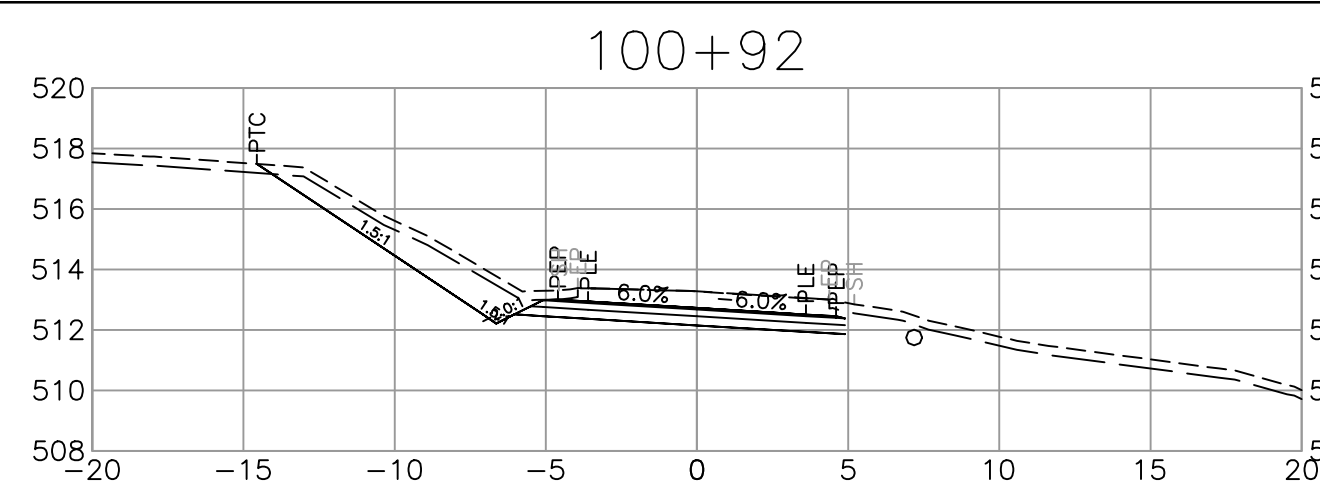


CHERRY CREEK FLOOD REPAIRS RODEO DRIVE

PROJECT No. 24209-0001

PROJECT CROSS SECTIONS



NOTE:
1. EXTENT OF STRIPPING FROM EDGE OF EXISTING PAVEMENT TO TOE LINE.



DESIGN SPEED 30 km/h

SCALE 0 2 1:250 12m CAD FILENAME L10081CORR-24209 PLOT DATE 5/10/18

REV	DATE	REVISIONS	NAME

BRITISH COLUMBIA
MINISTRY OF TRANSPORTATION AND INFRASTRUCTURE
SOUTHERN INTERIOR REGION
HIGHWAY ENGINEERING AND GEOMATICS

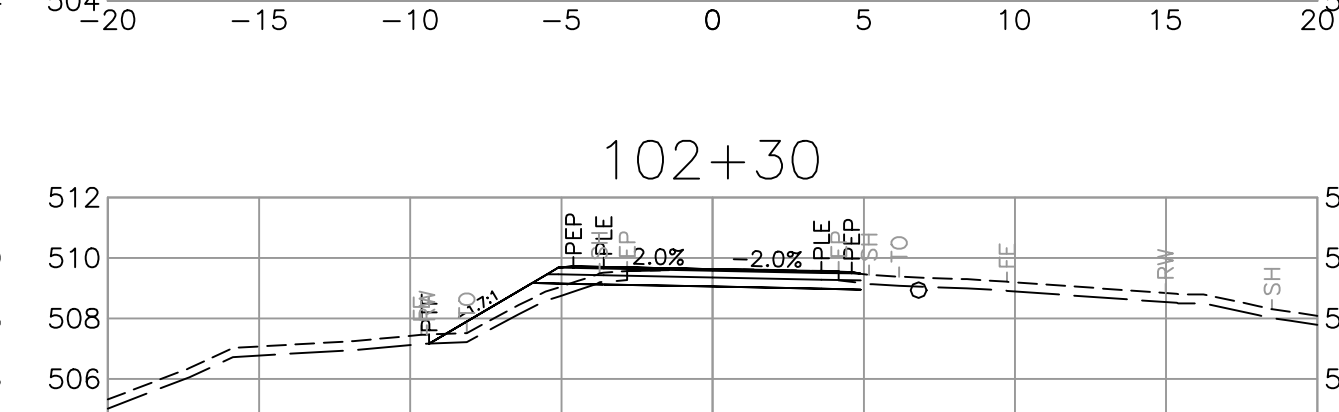
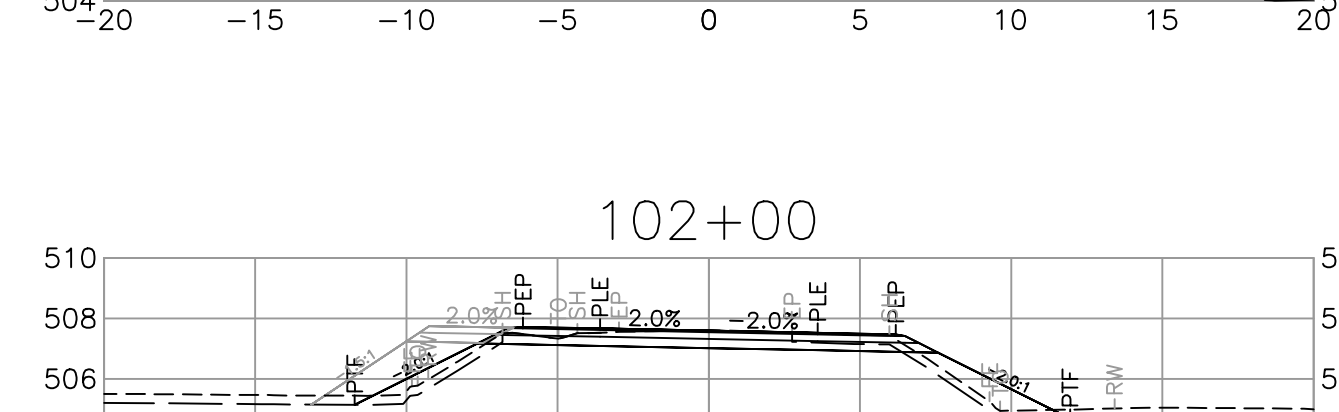
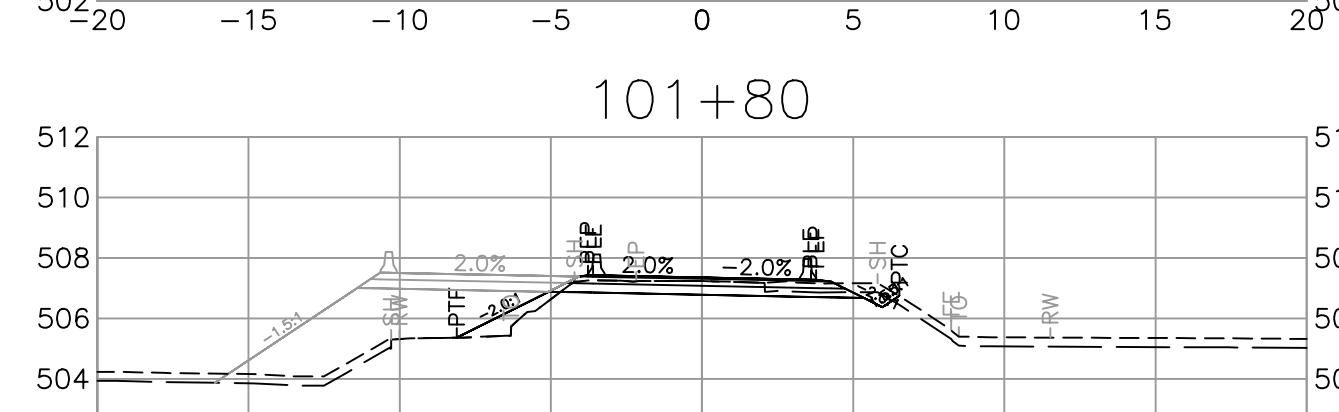
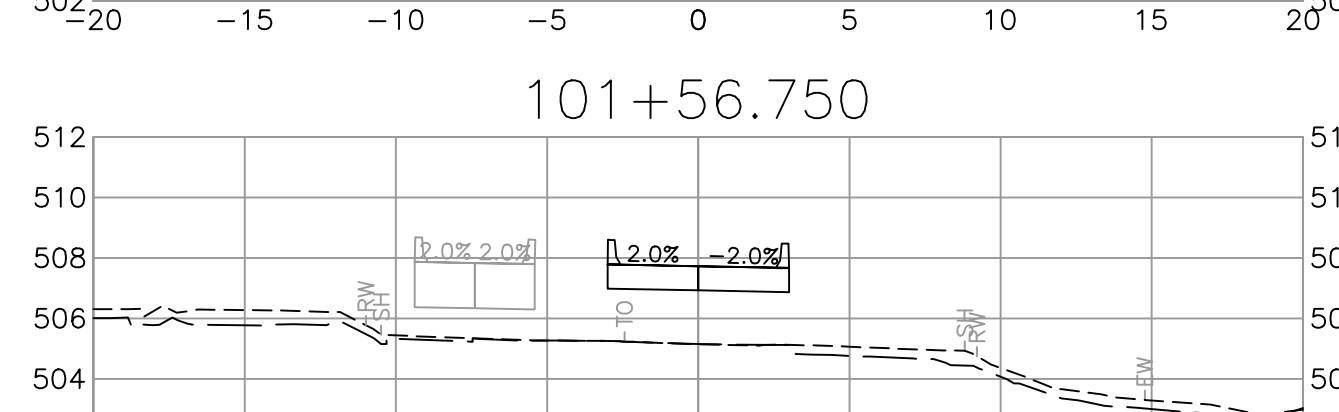
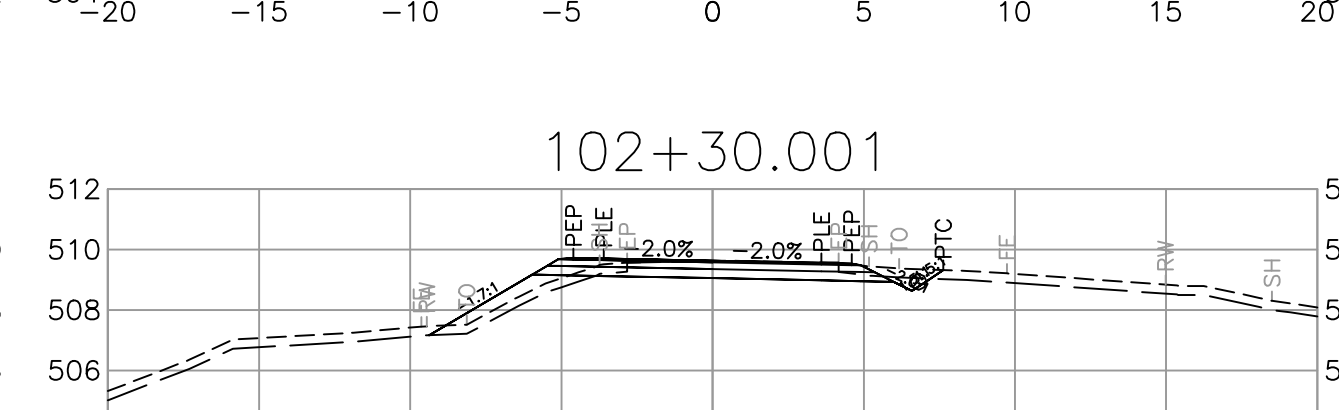
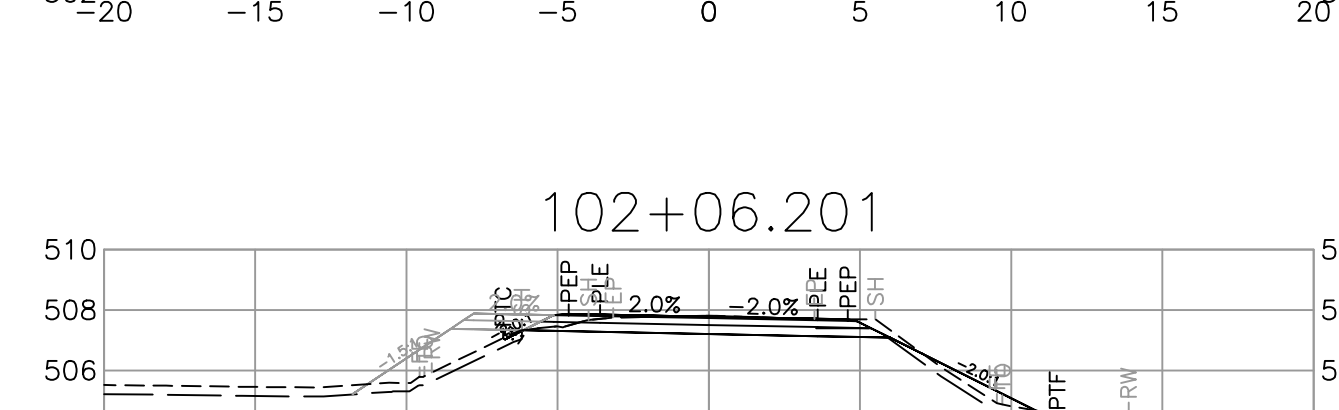
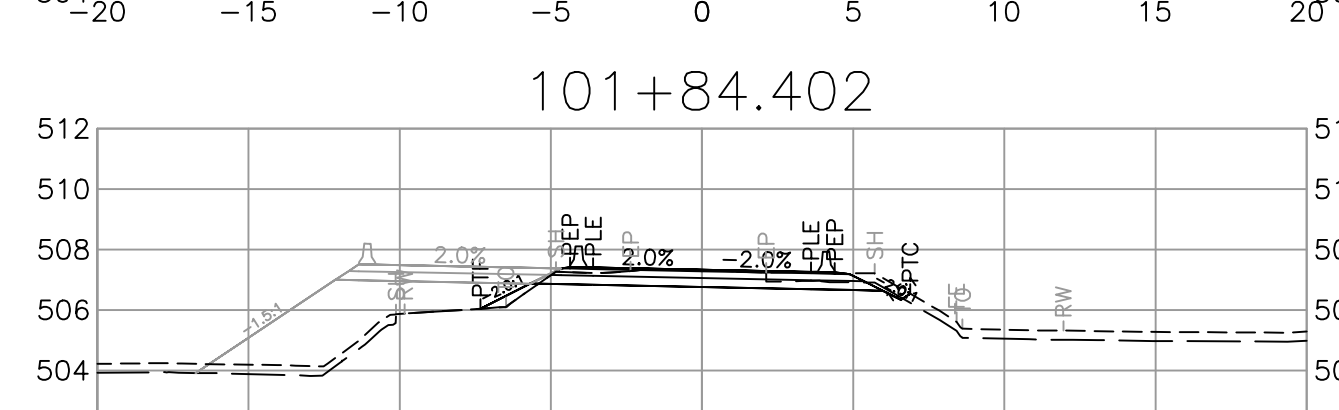
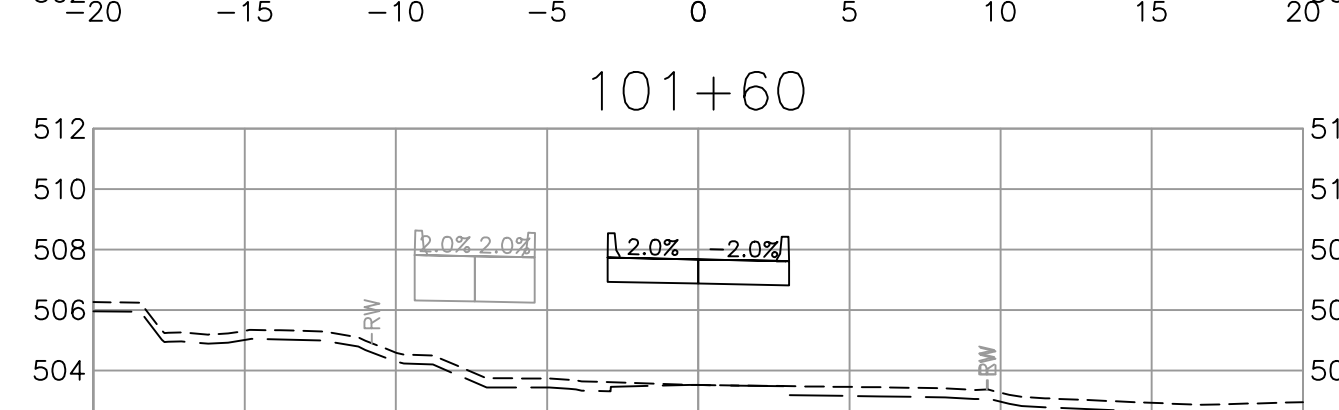
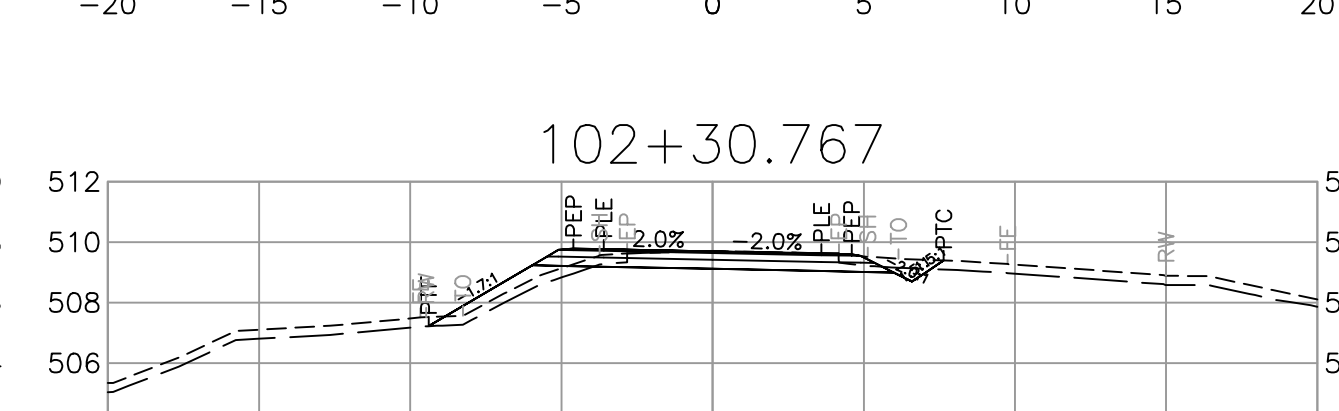
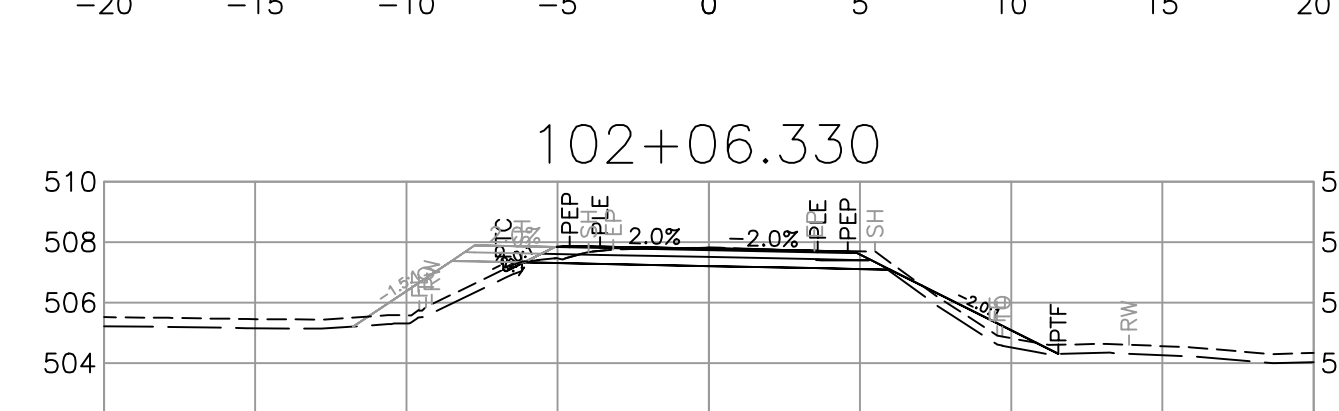
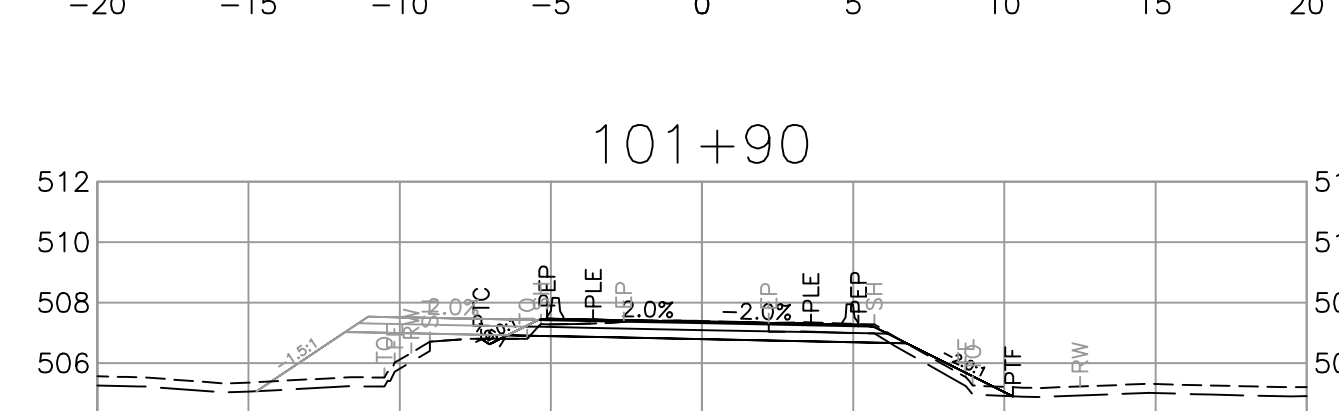
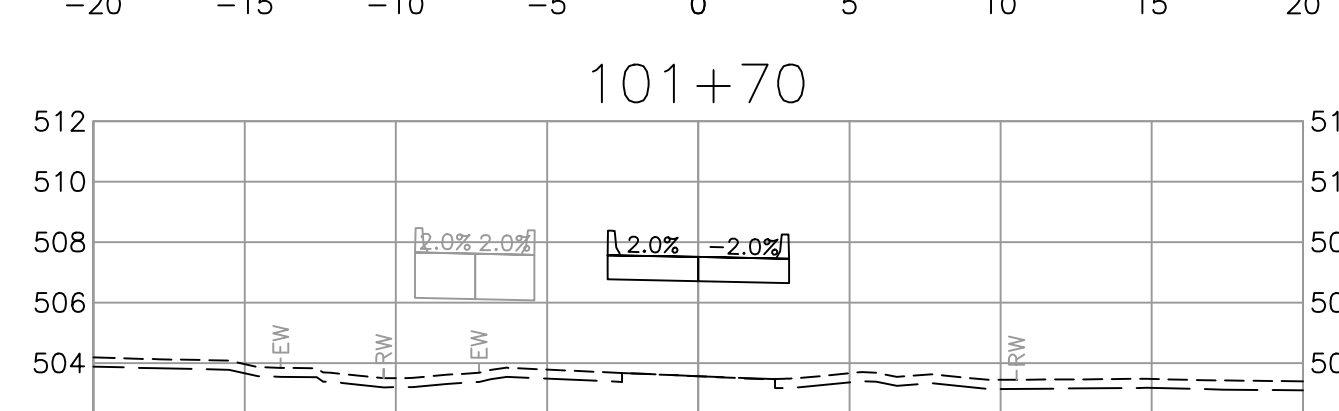
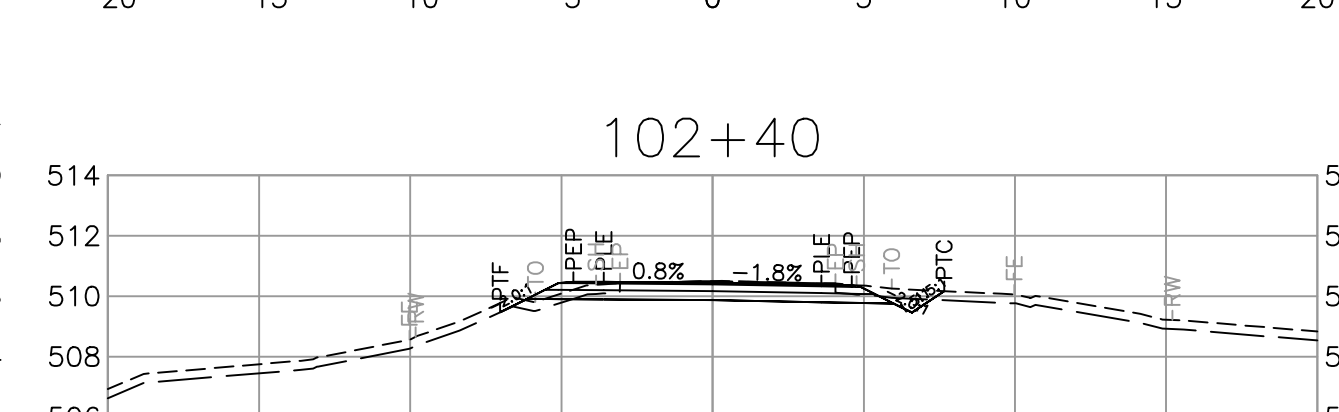
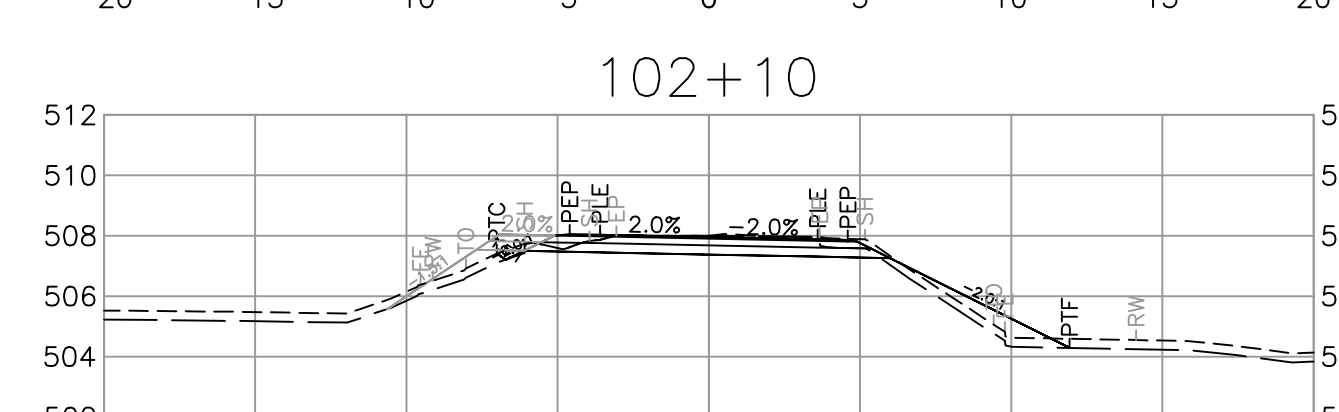
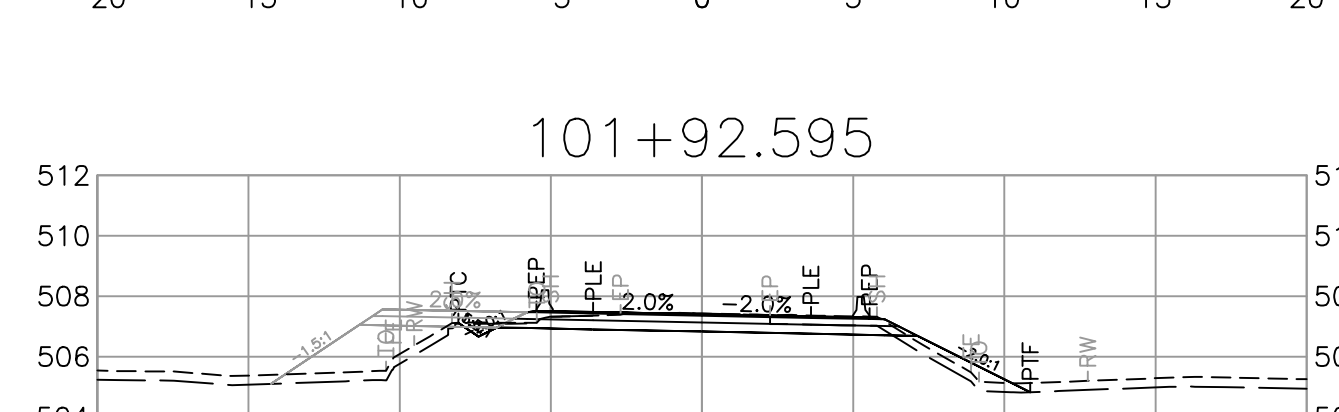
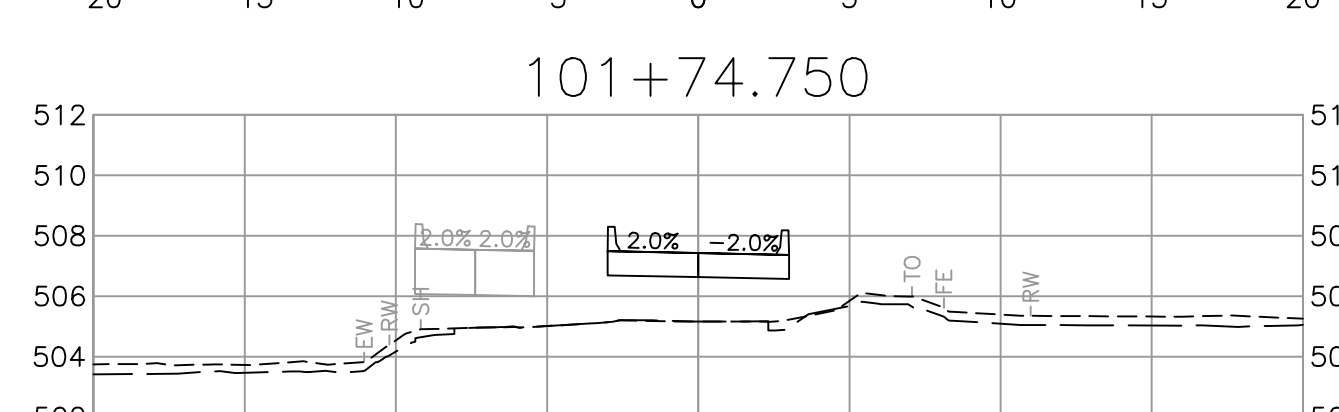
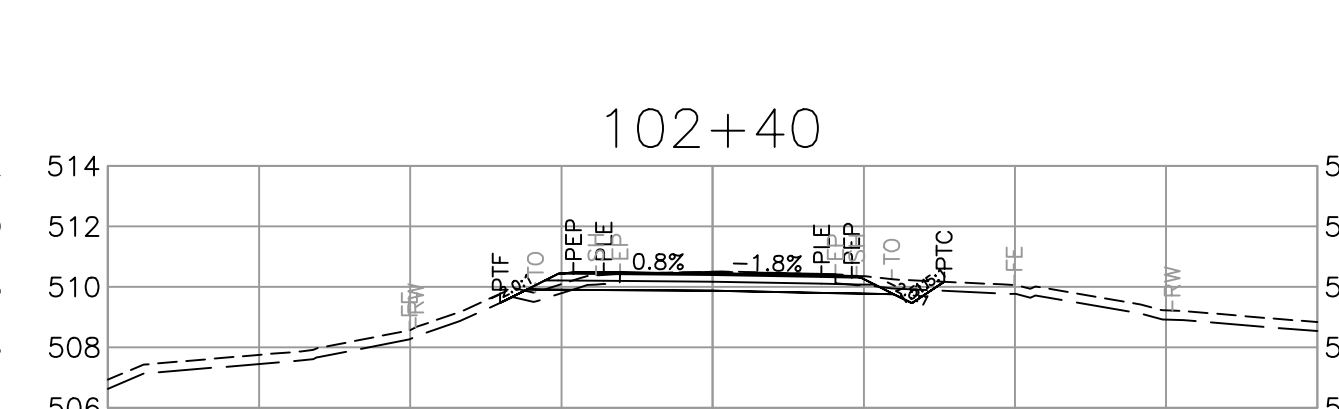
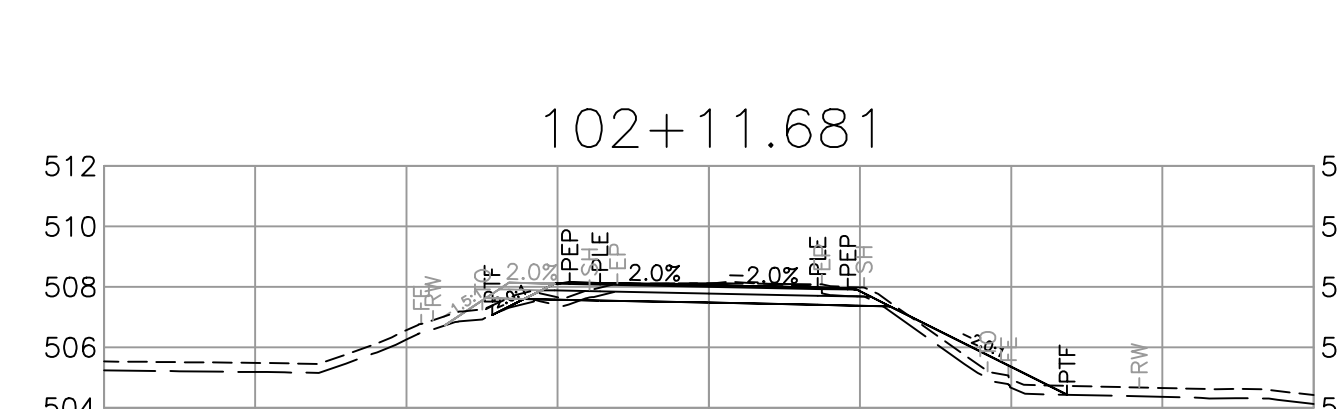
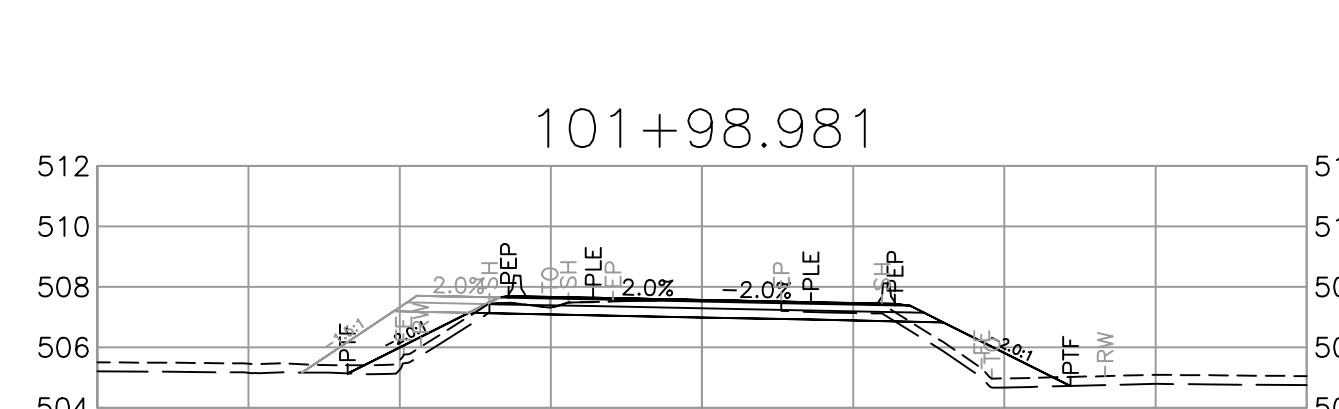
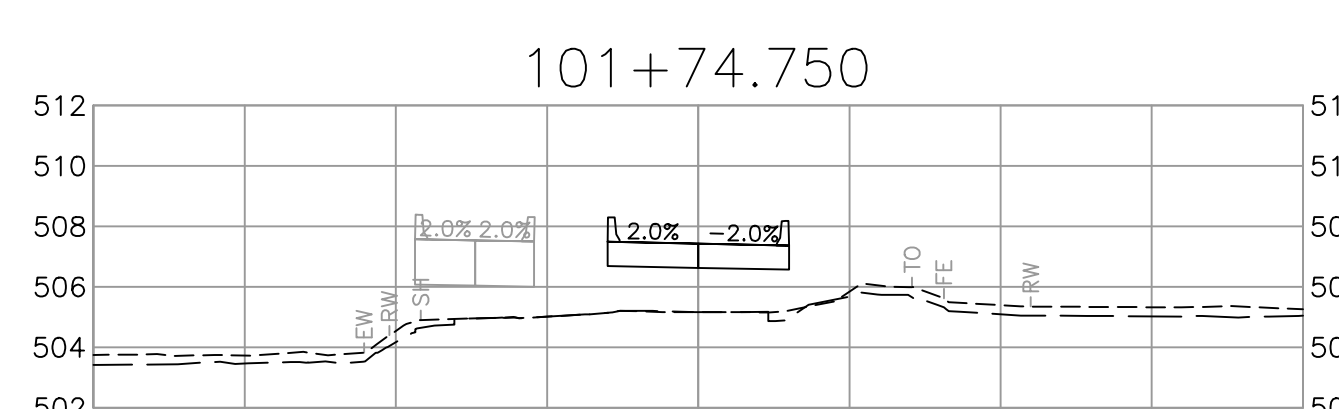
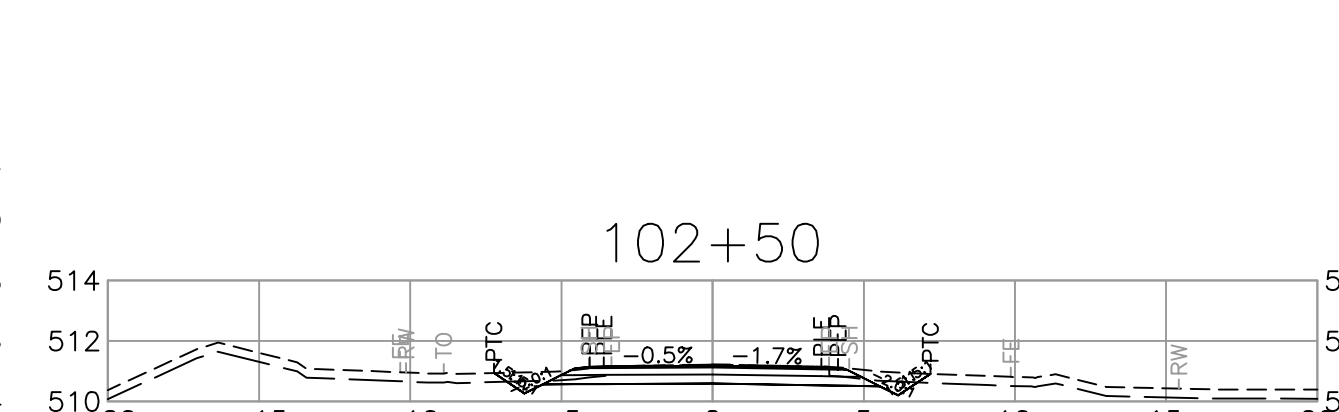
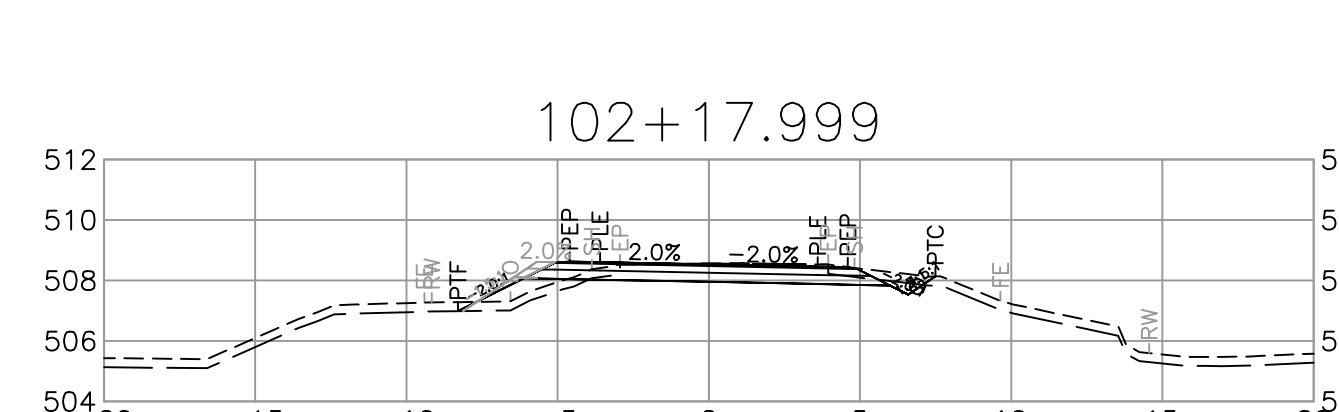
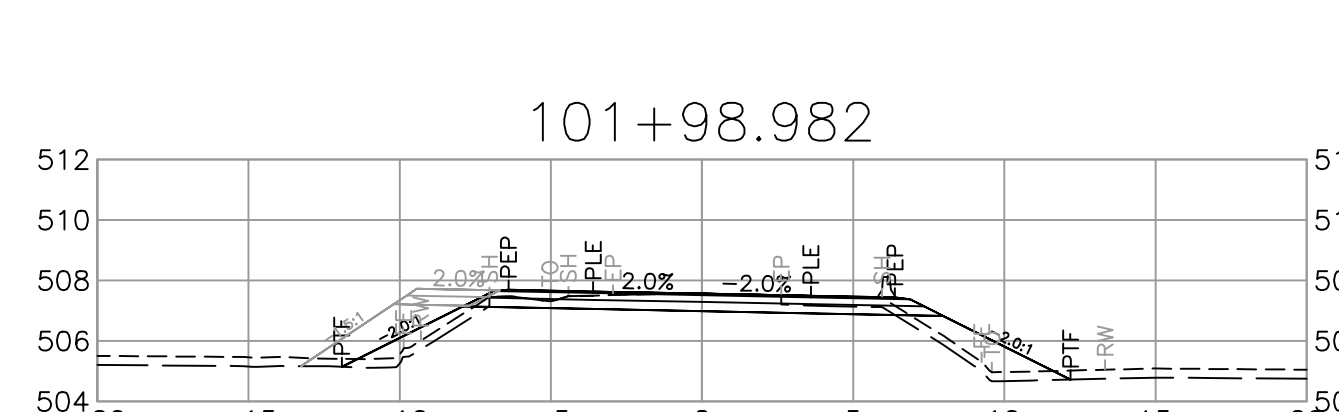
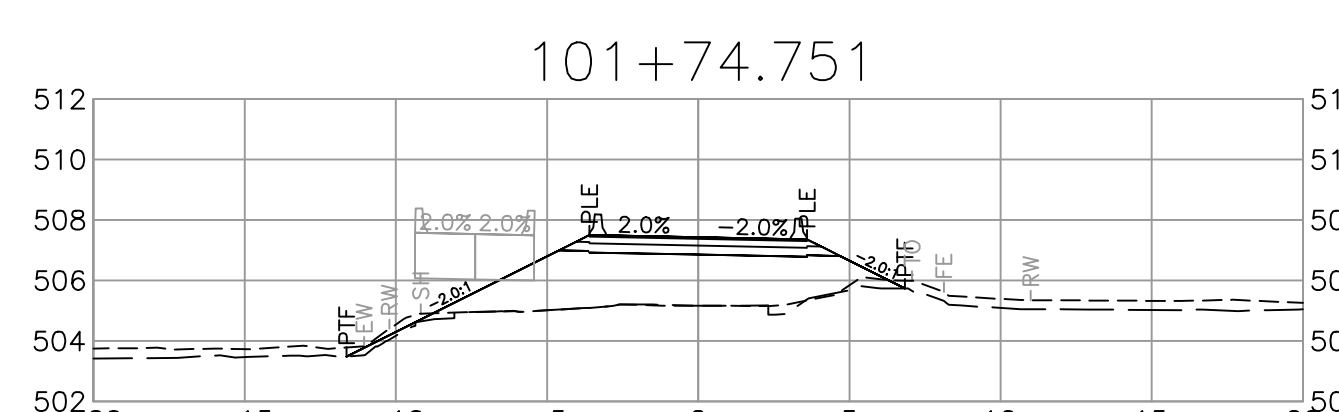
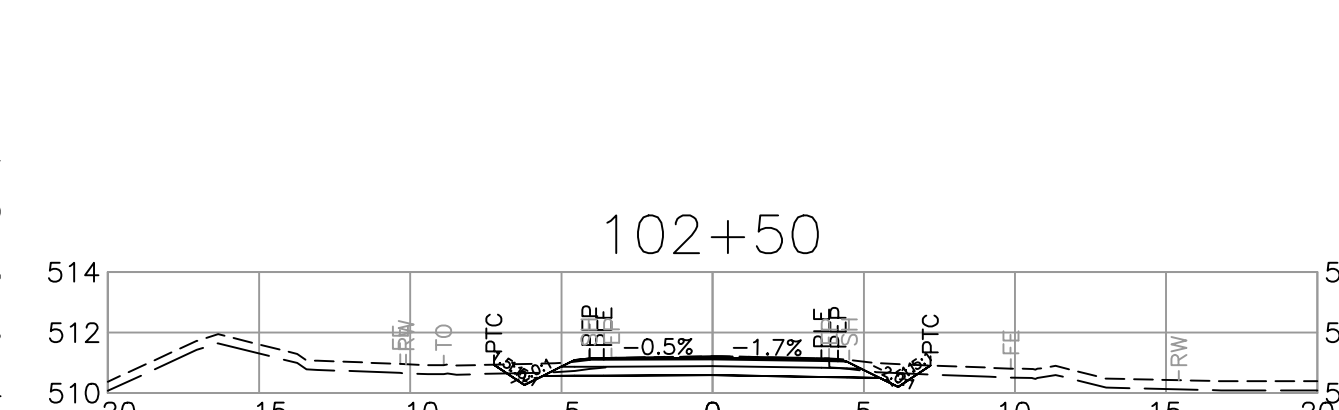
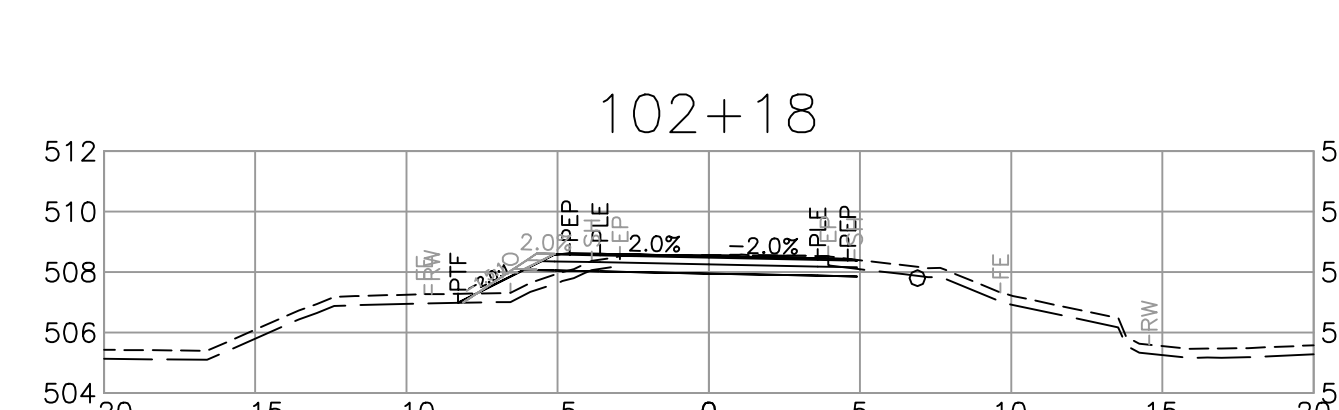
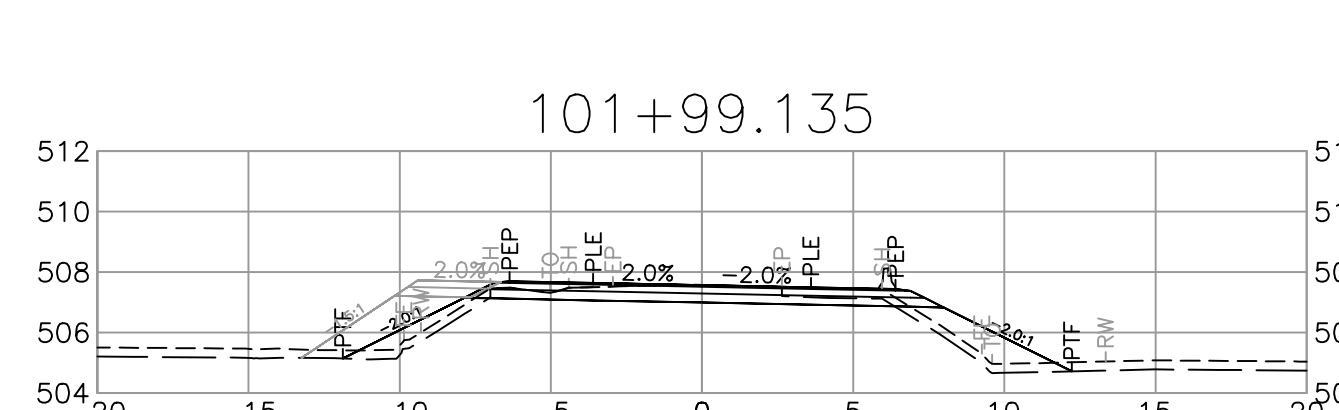
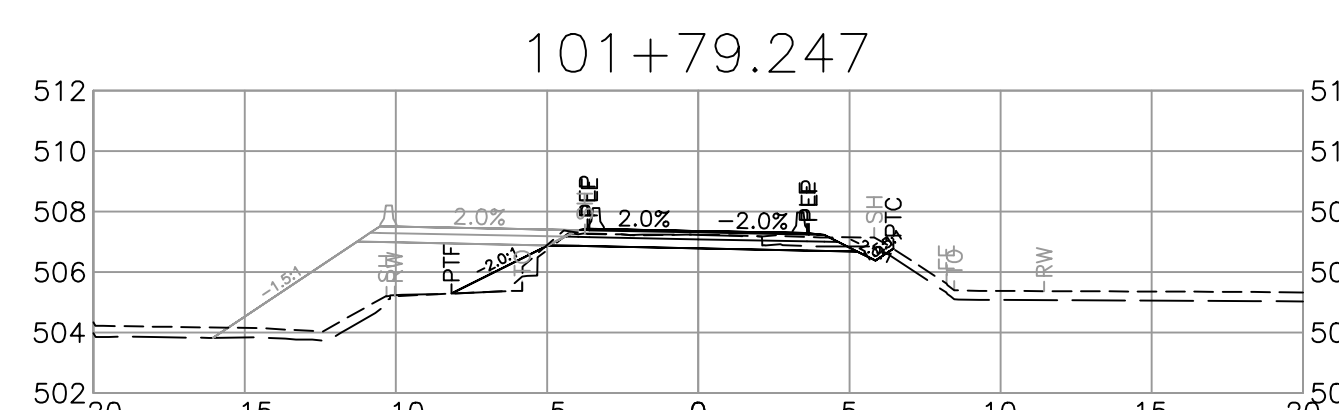
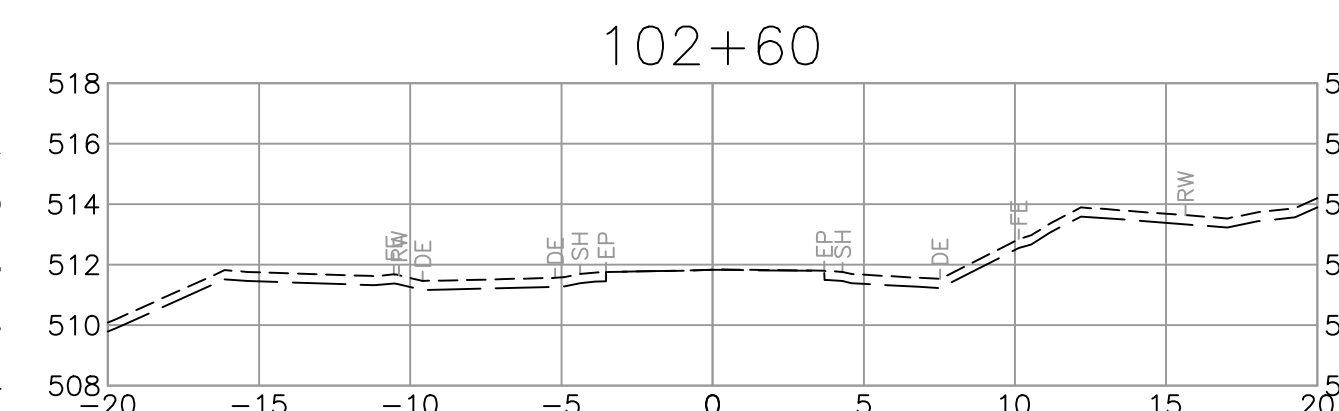
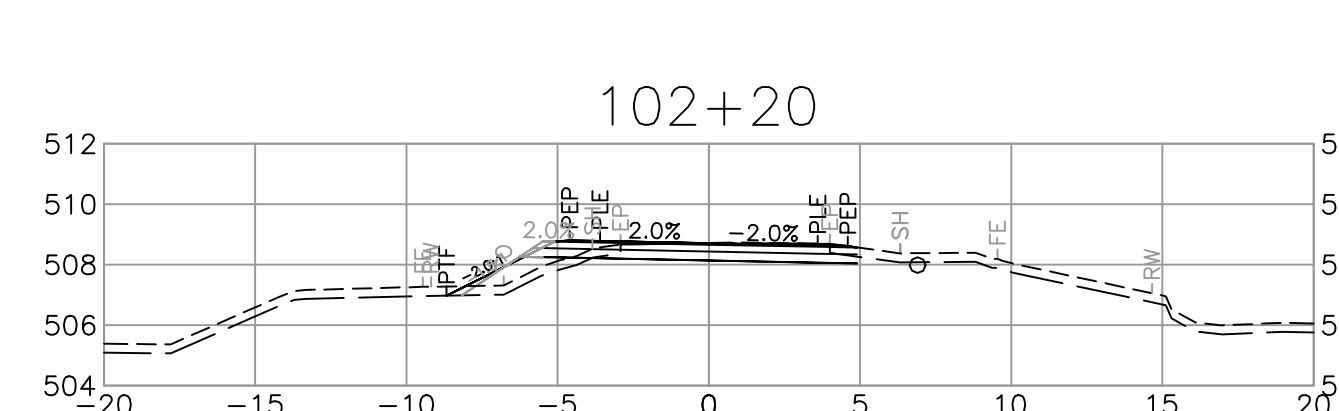
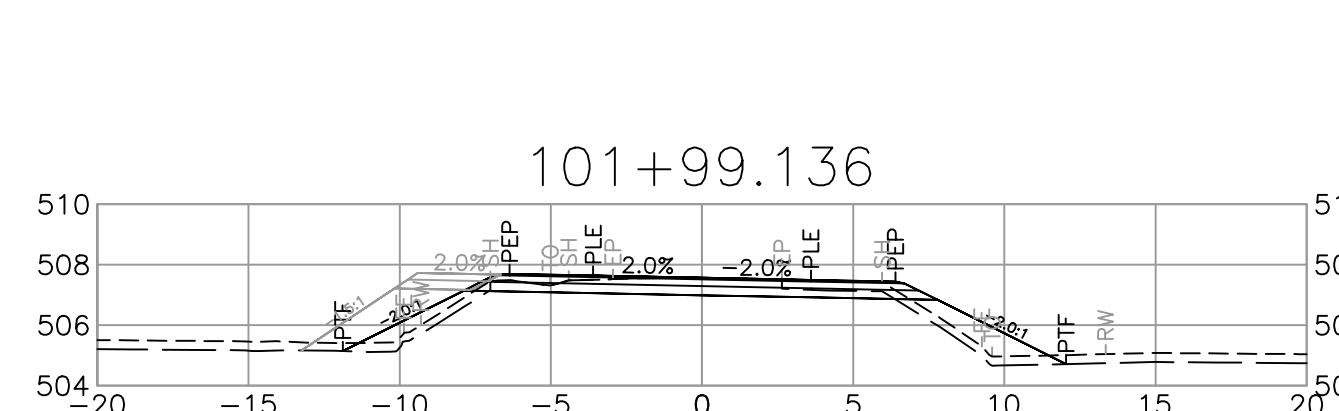
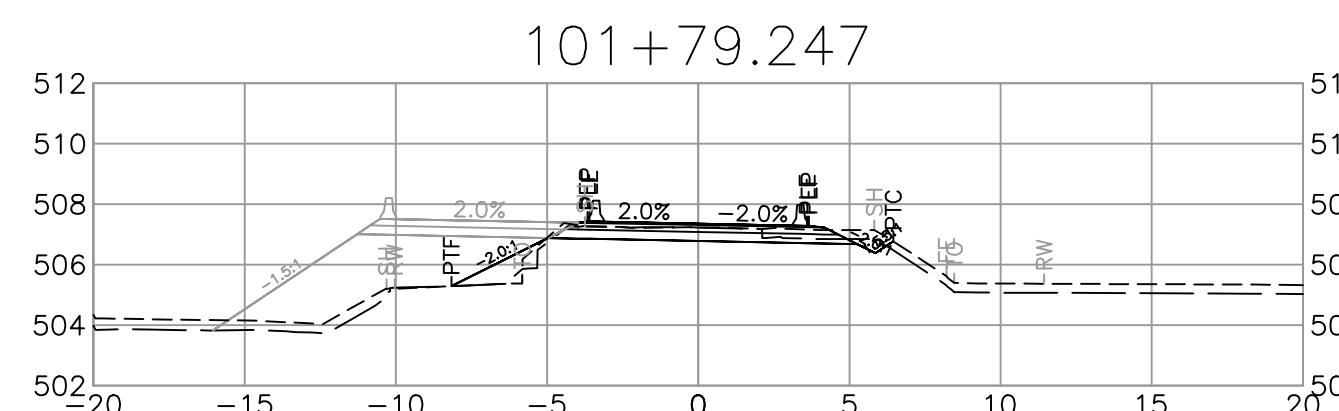
DESIGNED: A.KAFAFI DATE: 2017-09-06
QUALITY CONTROL: R.PARROTT DATE: 2018-05-08
QUALITY ASSURANCE: D.GOULD DATE: 2018-05-09
DRAWN: A.KAFAFI DATE: 2017-09-06

SENIOR DESIGNER: _____
DATE: _____

PROJECT CROSS SECTIONS
CHERRY CREEK FLOOD RECOVERY
RODEO DRIVE

FILE NUMBER 2825	PROJECT NUMBER 24209-0001	REG 2	DRAWING NUMBER R2-1038-1011	REV ----
---------------------	------------------------------	----------	--------------------------------	-------------

V:\11561158-16026328 Rodeo Drive\1_Lbc_mtd\DesignModel\02_Corridor\10081CORR-24209.dwg 2018/05/10 4:38 PM By: Kafafi, Ahmed



NOTE:
1. EXTENT OF STRIPPING FROM EDGE OF EXISTING PAVEMENT TO TOE LINE.



DESIGN SPEED 30 km/h

SCALE 0 2 1:250 12m CAD FILENAME L100B1CORR-24209 PLOT DATE 5/10/18

REV	DATE	REVISIONS	NAME

BRITISH COLUMBIA
MINISTRY OF TRANSPORTATION AND INFRASTRUCTURE
SOUTHERN INTERIOR REGION
HIGHWAY ENGINEERING AND GEOMATICS

DESIGNED A.KAFABI DATE 2017-09-06
QUALITY CONTROL R.PARROTT DATE 2018-05-08
QUALITY ASSURANCE D.COULL DATE 2018-05-09
DRAWN A.KAFABI DATE 2017-09-06

PROJECT CROSS SECTIONS
CHERRY CREEK FLOOD RECOVERY
RODEO DRIVE

FILE NUMBER 2825	PROJECT NUMBER 24209-0001	REG 2	DRAWING NUMBER R2-1038-1012	REV ----
---------------------	------------------------------	----------	--------------------------------	-------------

V:\1158\1158-18028\328 Rodeo Drive\11_bc_mtd\DesignModel\02_Corridor\100B1CORR-24209.dwg 2018/05/10 4:38 PM By: KAFABI, Ahmed