

SCALE 0 1 1:100 5m

CAD FILENAME R2-1015-1001-1033  
PLOT DATE 1/11/2018

REV	DATE	REVISIONS	NAME

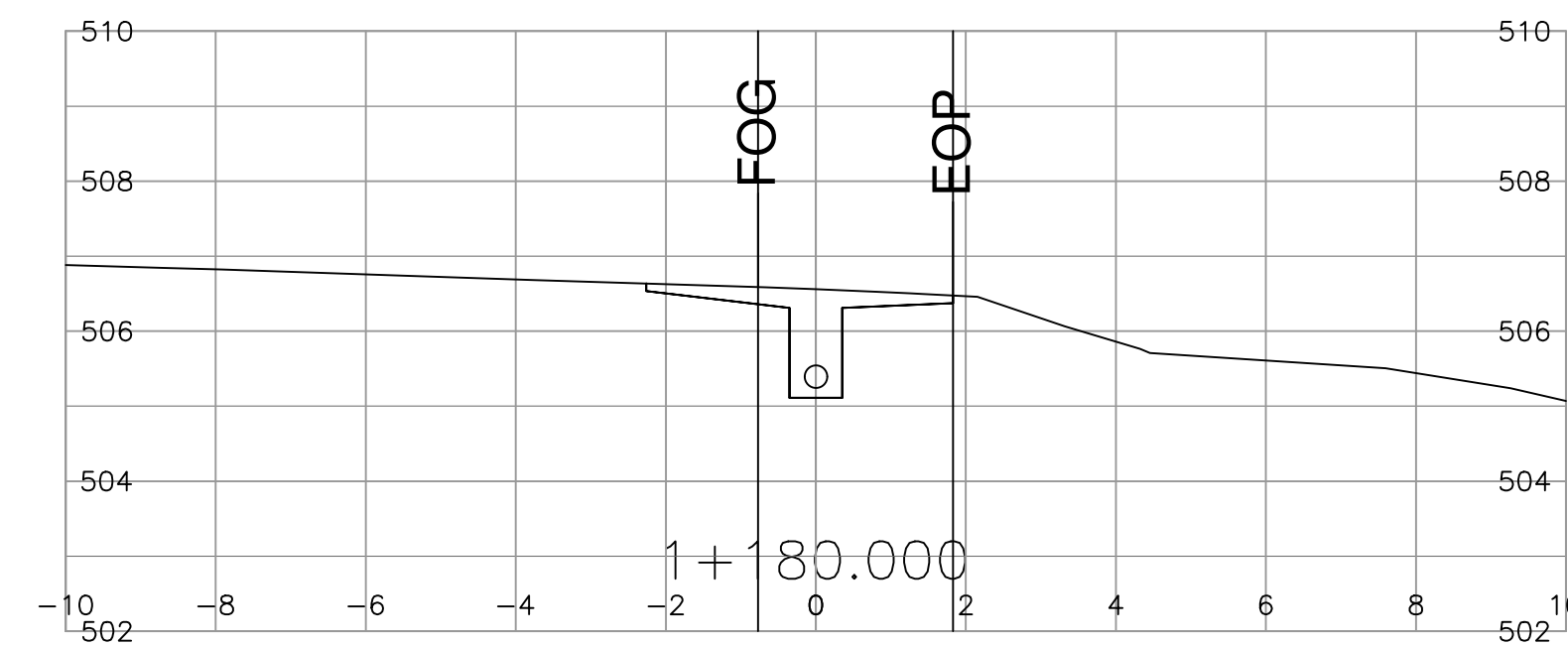
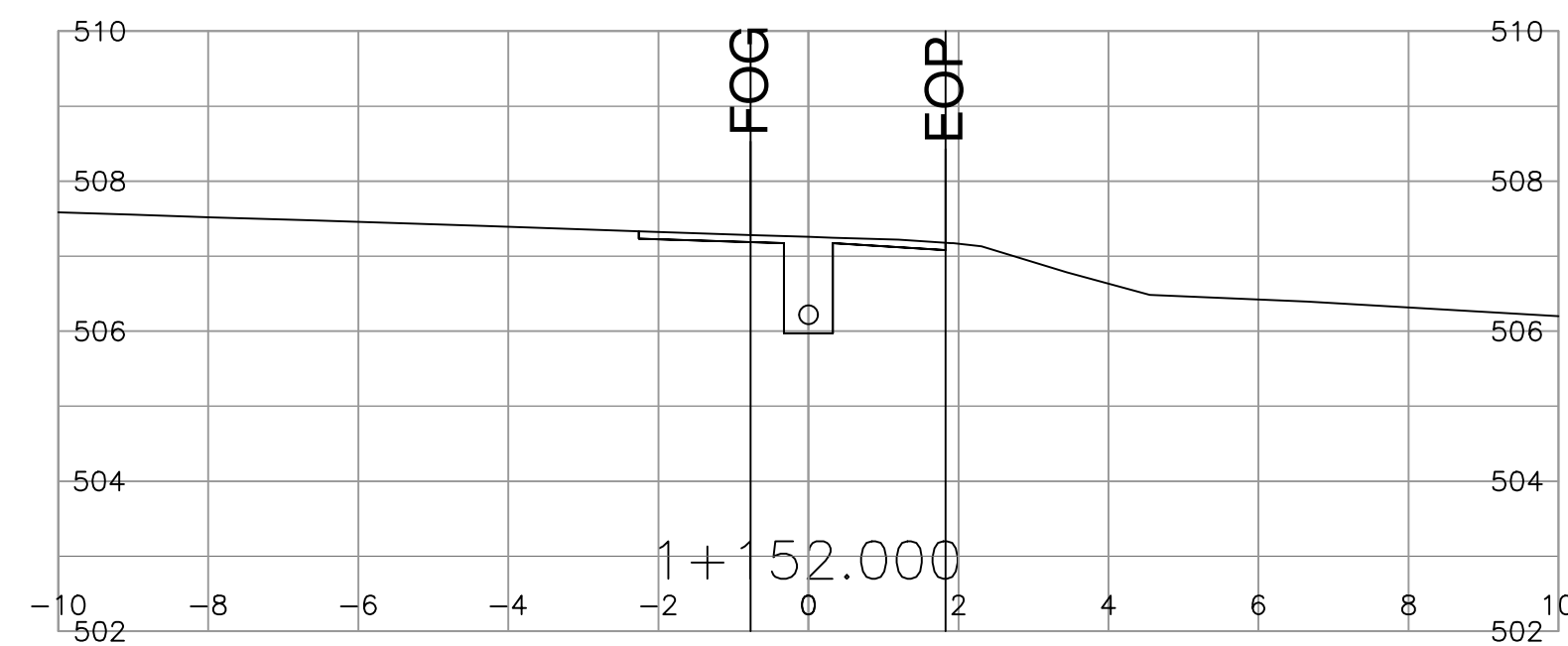
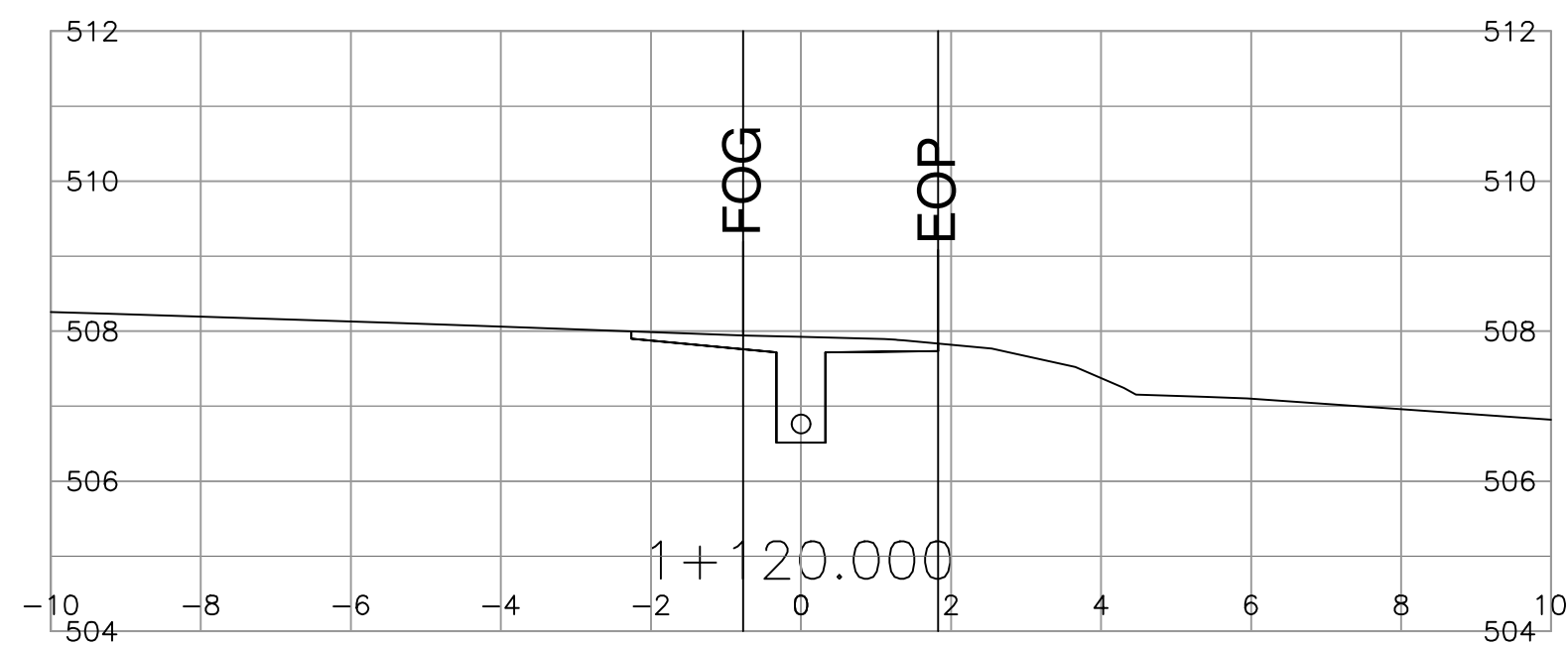
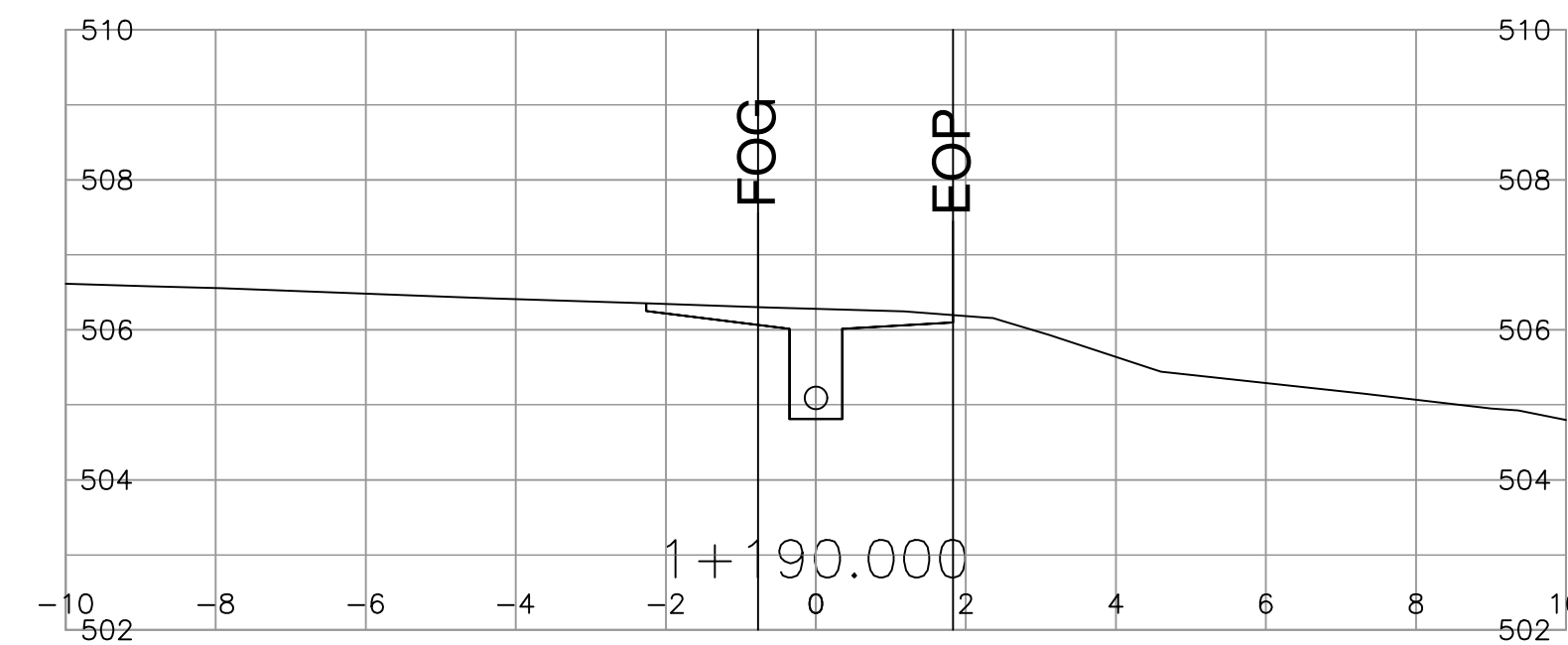
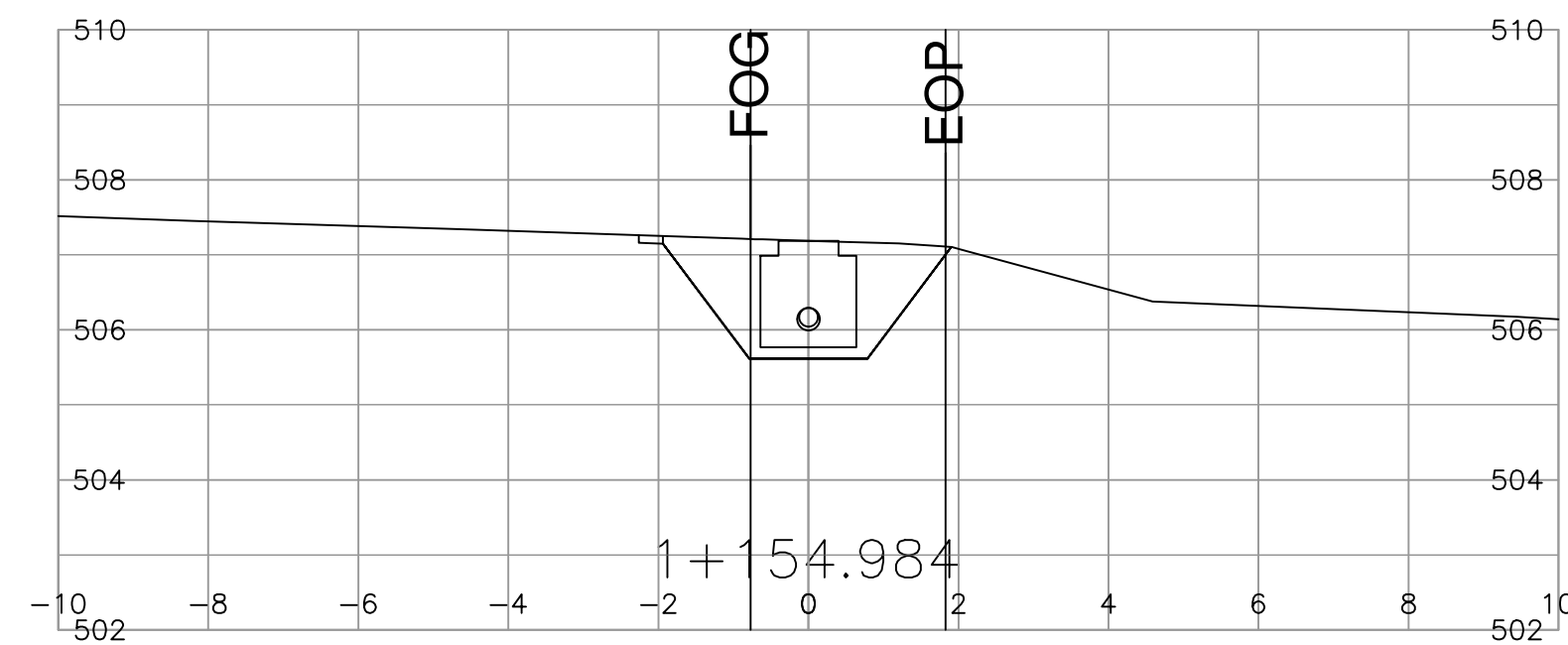
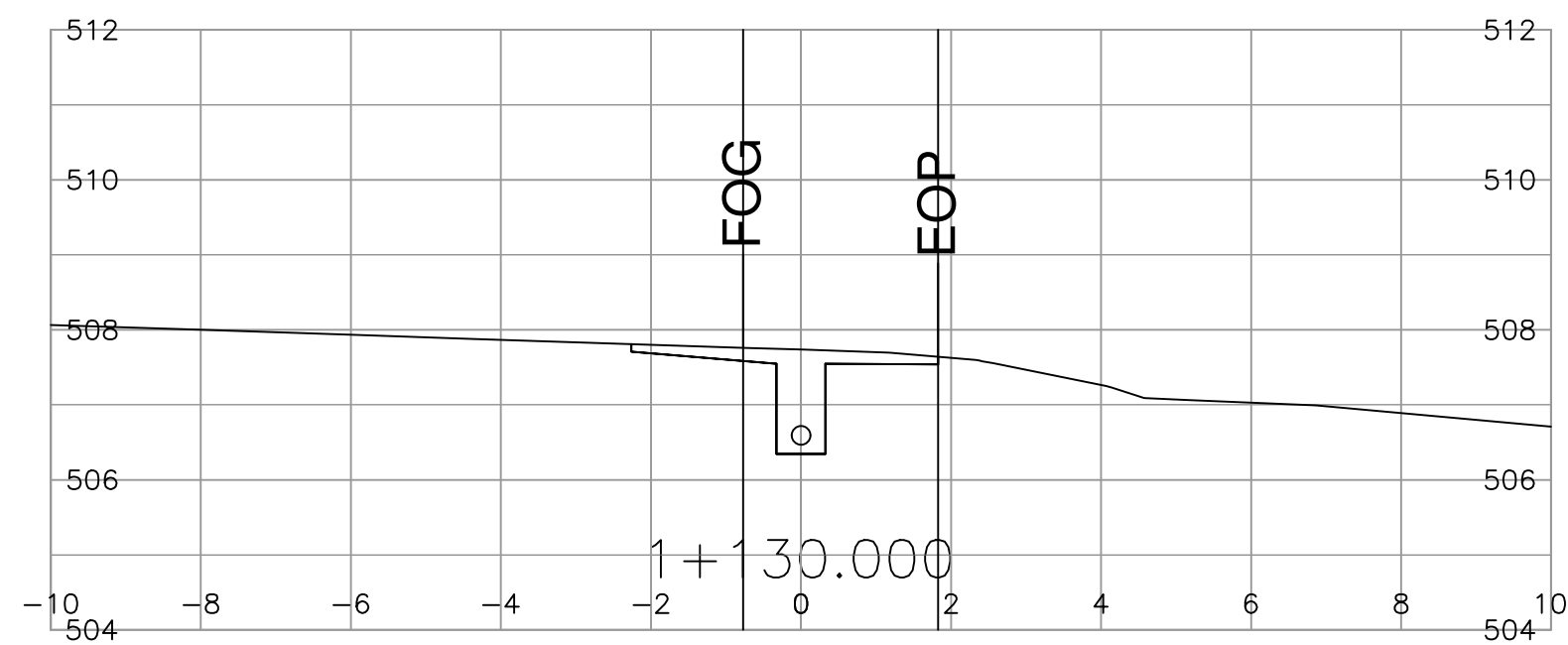
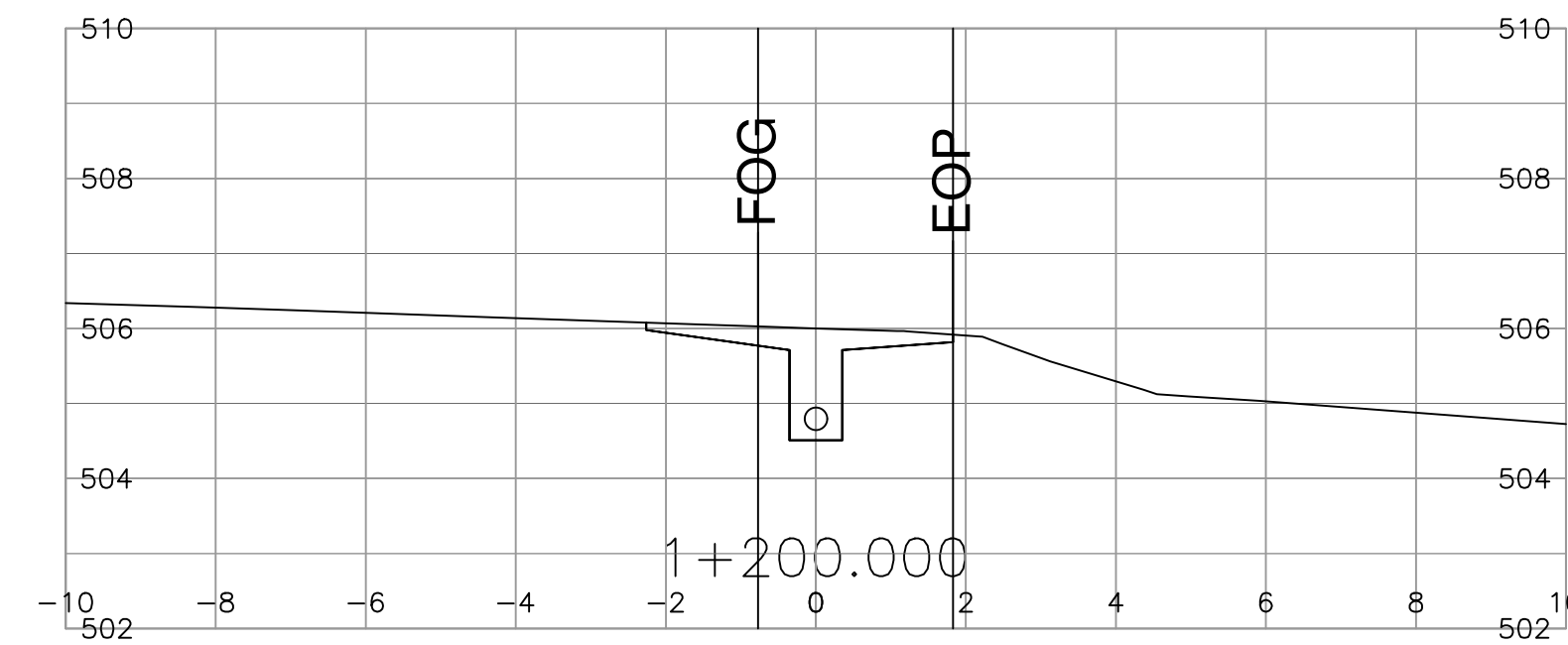
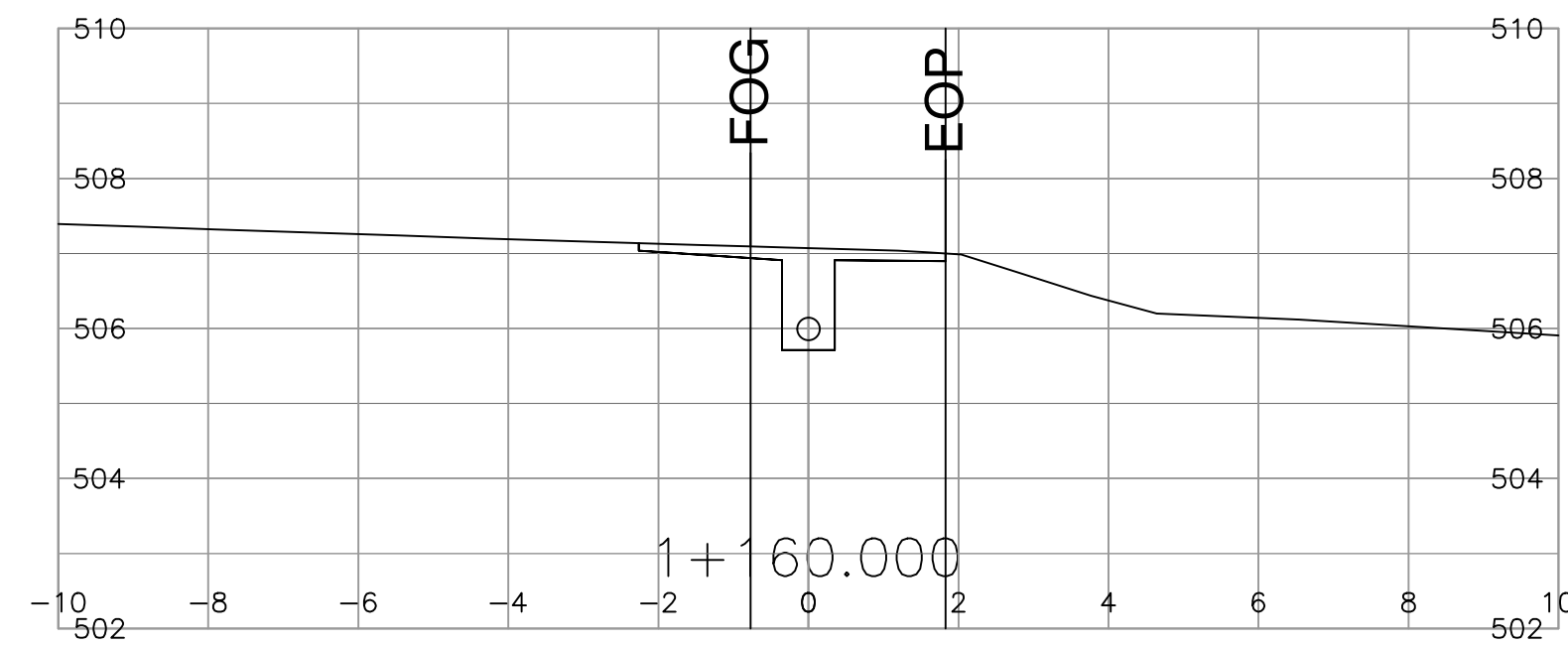
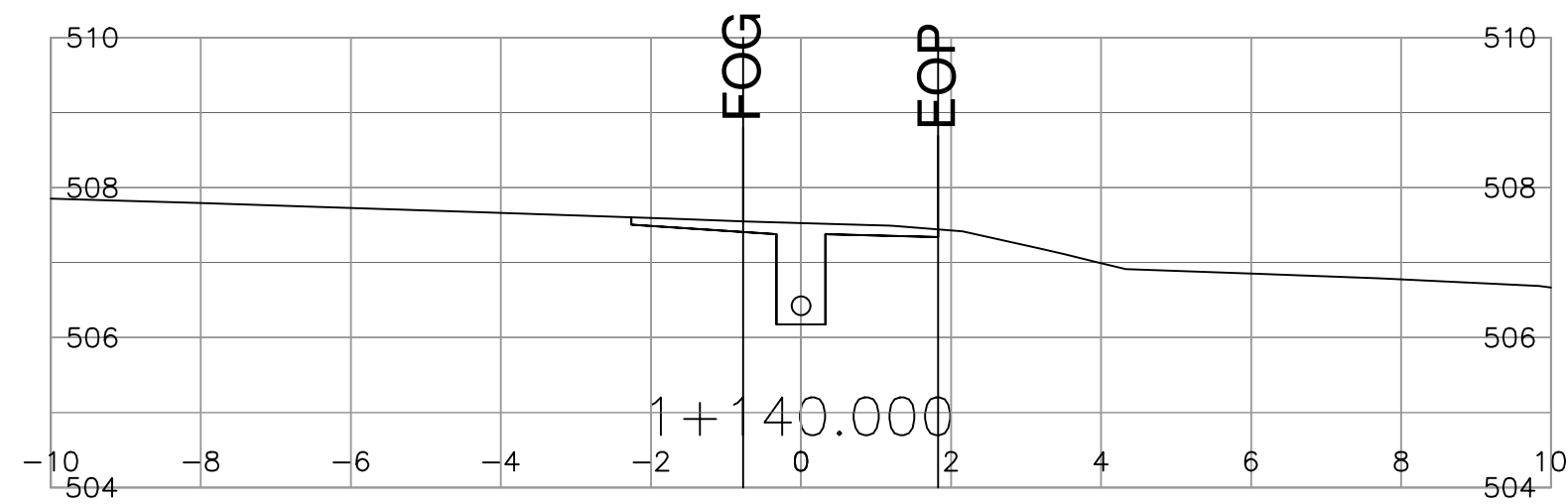
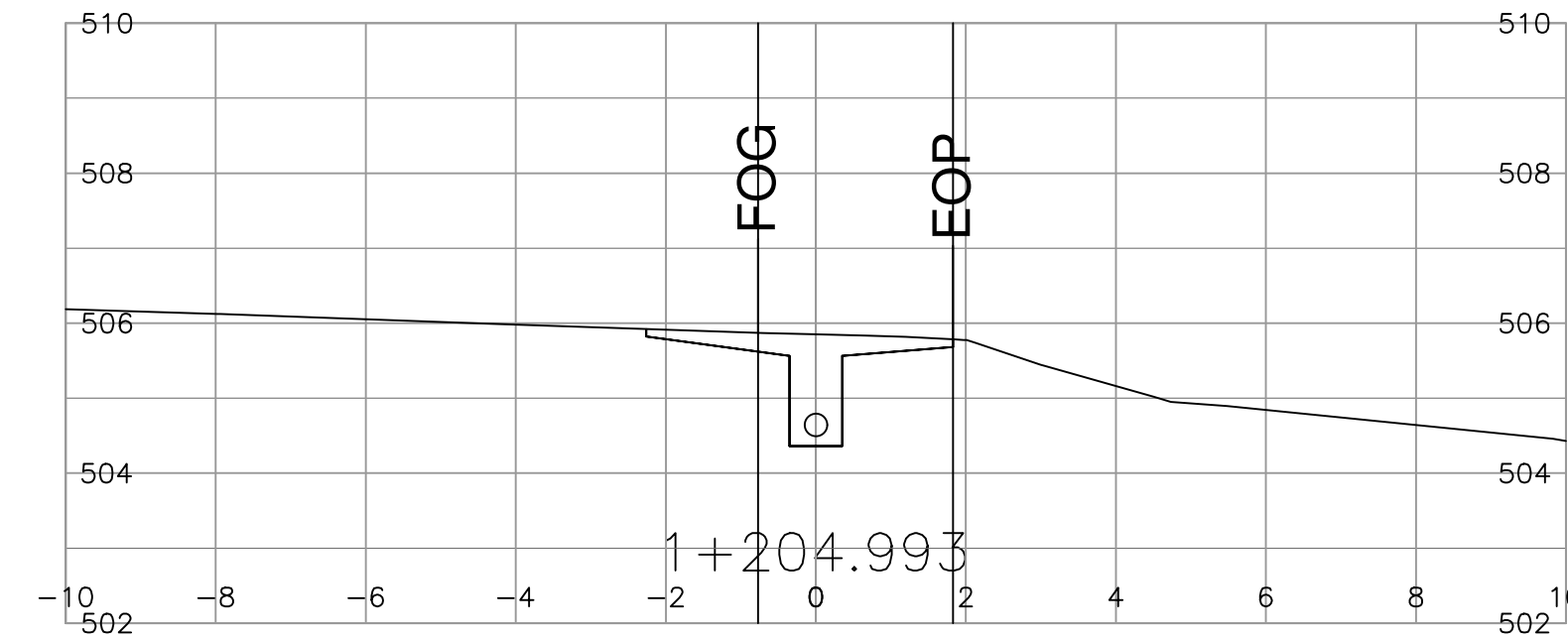
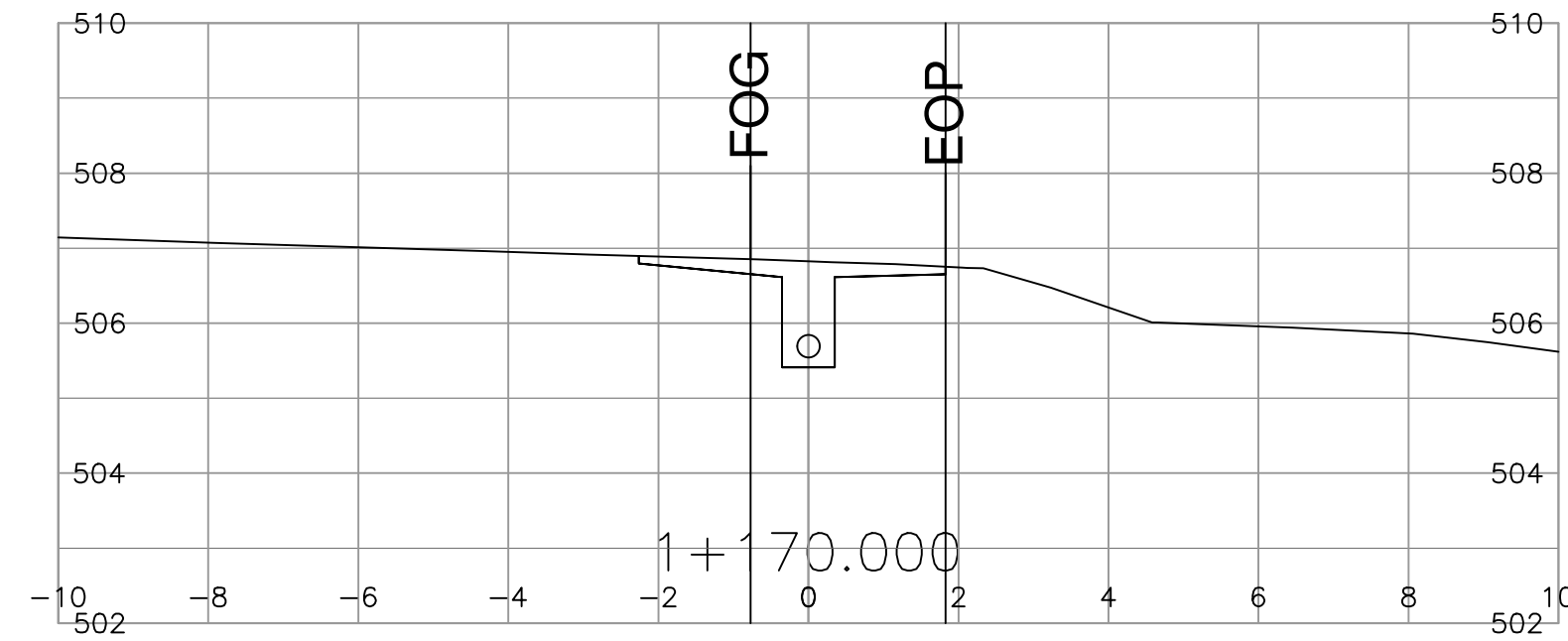
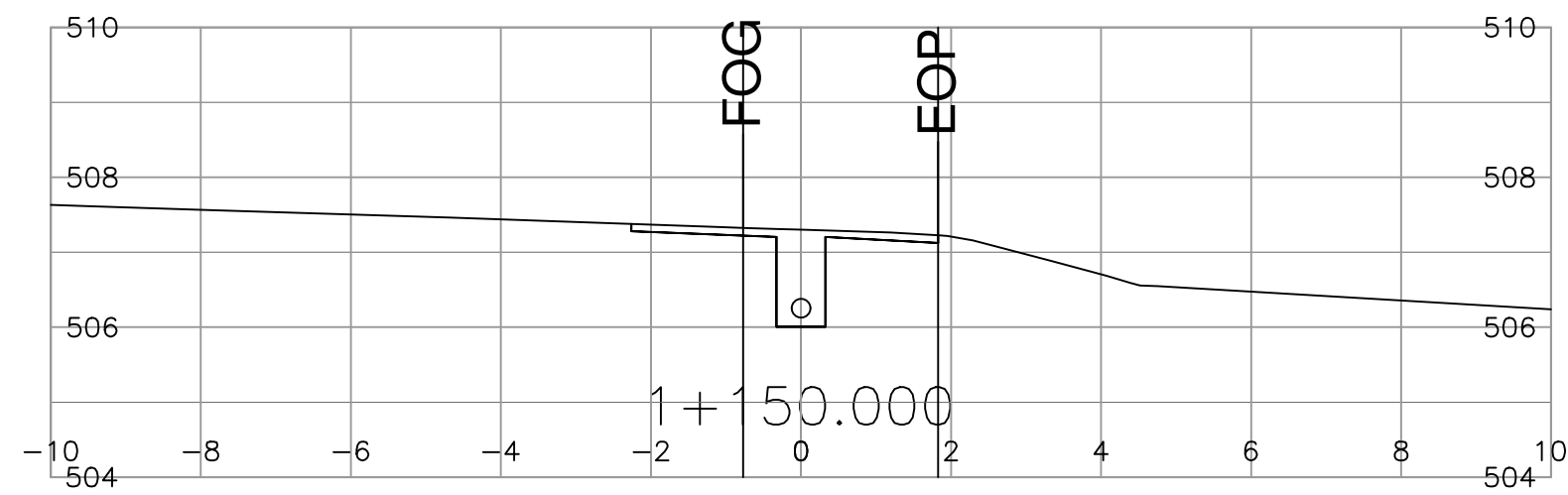
MINISTRY OF TRANSPORTATION AND INFRASTRUCTURE  
SOUTHERN INTERIOR REGION  
HIGHWAY ENGINEERING AND GEOMATICS

JENNA LEE P. ENG.  
SENIOR DESIGNER

DESIGNED J. LEE DATE 2018-01-11  
QUALITY CONTROL J. FITZGERALD DATE 2018-01-11  
QUALITY ASSURANCE S. KING DATE 2018-01-11  
DRAWN J. WHITE DATE 2018-01-11

SECTIONS  
HIGHWAY 97  
OYAMA DRAINAGE IMPROVEMENTS


FILE NUMBER 2809	PROJECT NUMBER 24191-0002	REG 2	DRAWING NUMBER R2-1015-1001	REV
---------------------	------------------------------	----------	--------------------------------	-----



SCALE 0 1 1:100 5m

CAD FILENAME R2-1015-1001-1033  
PLOT DATE 1/11/2018

REV	DATE	REVISIONS	NAME



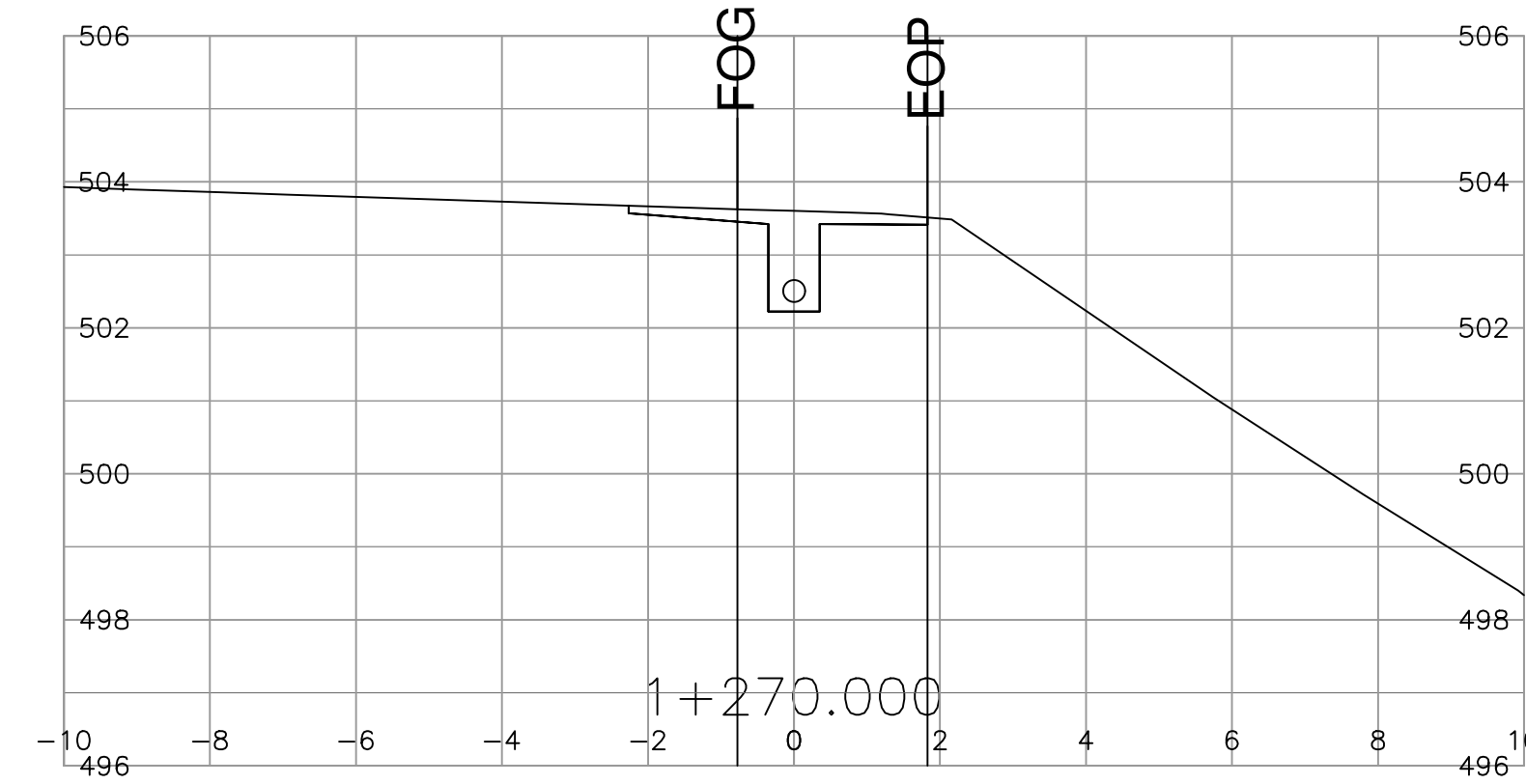
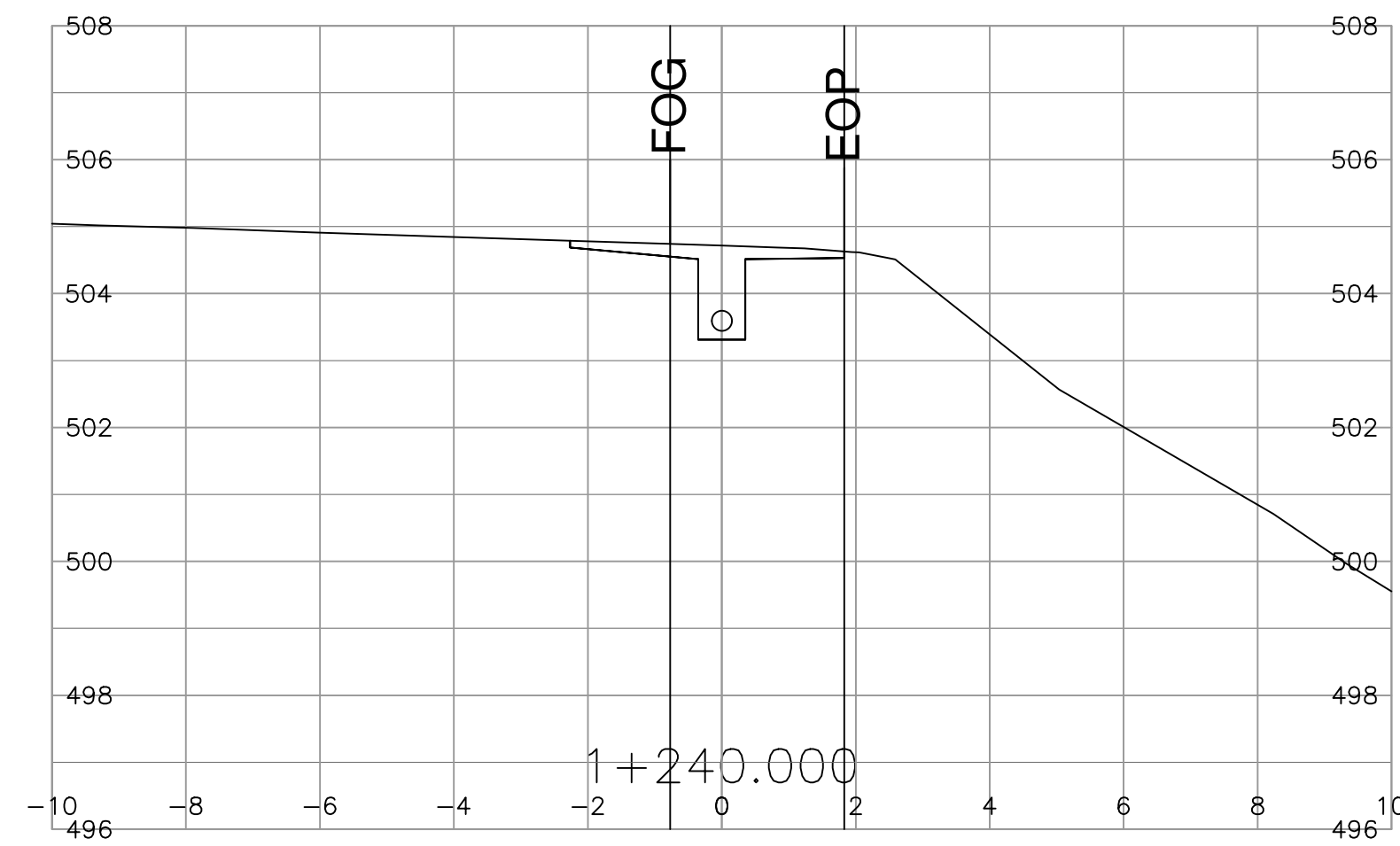
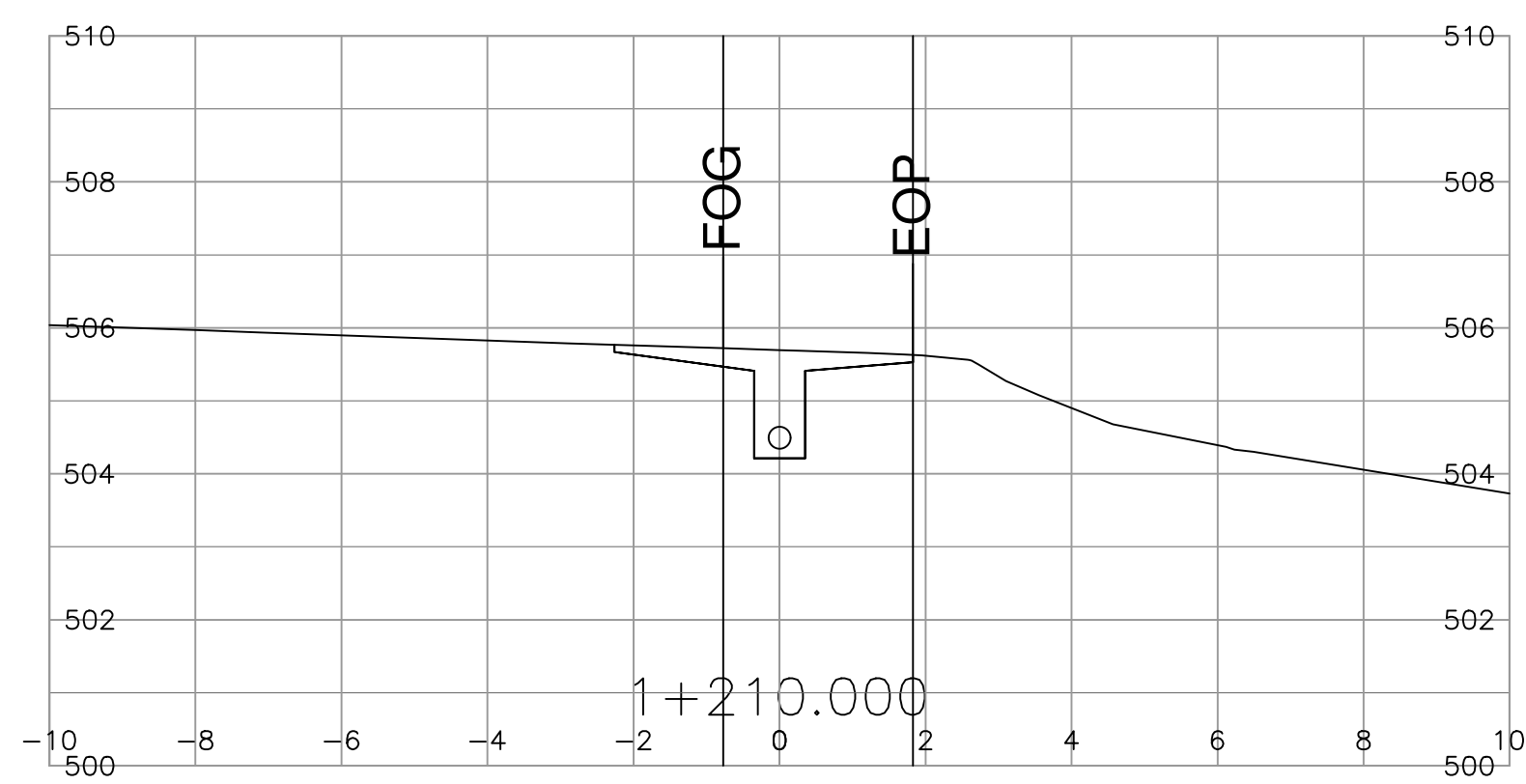
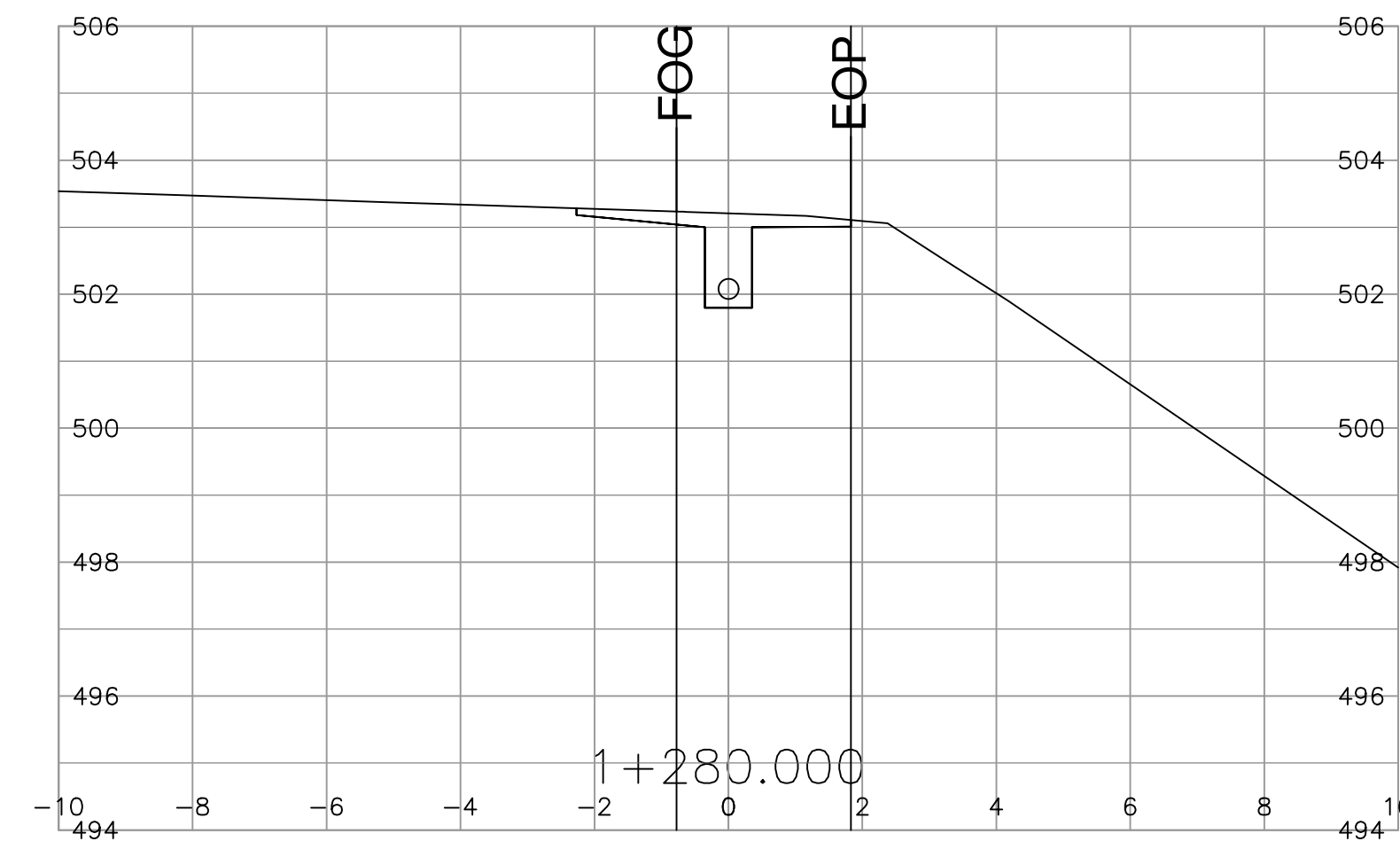
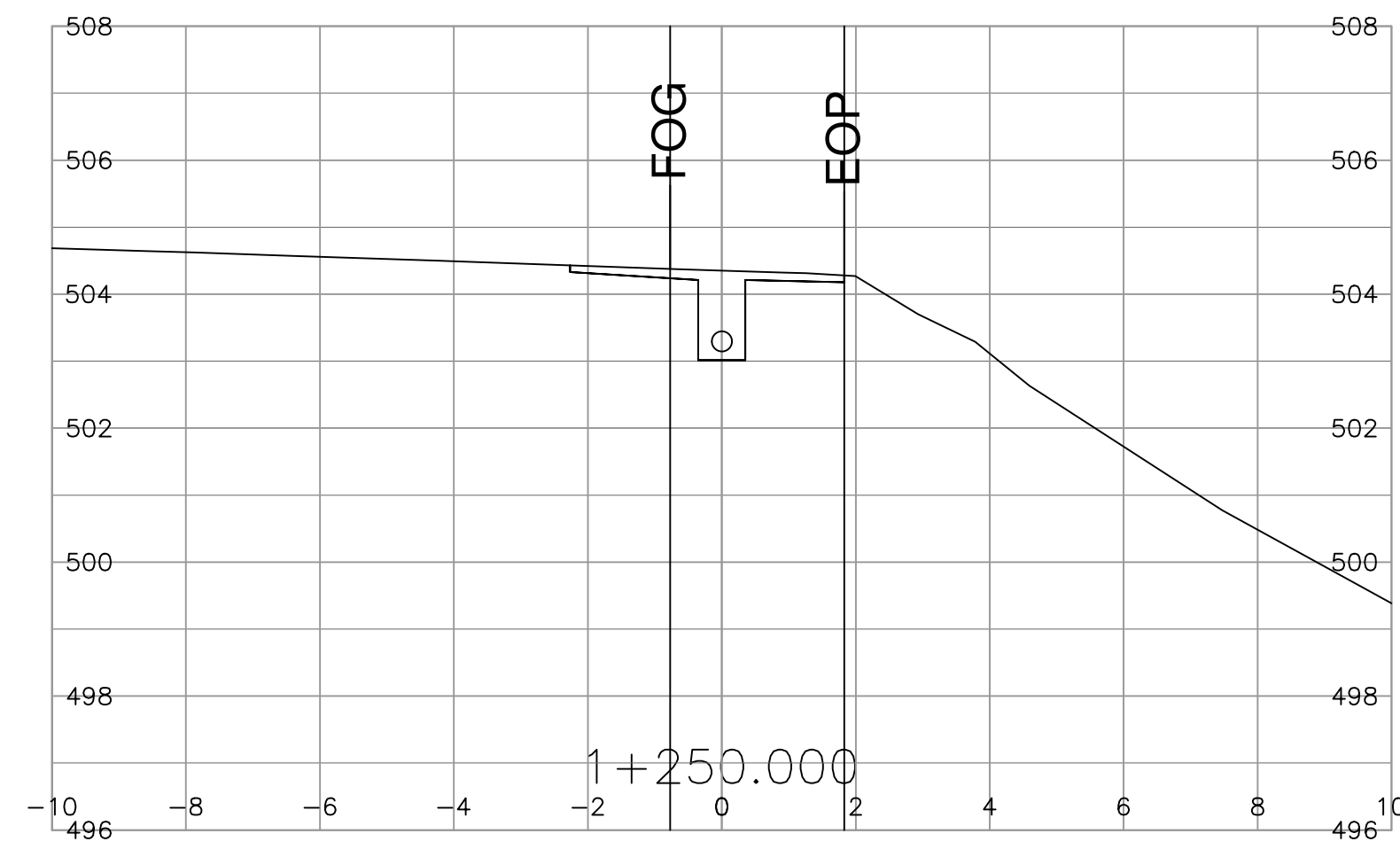
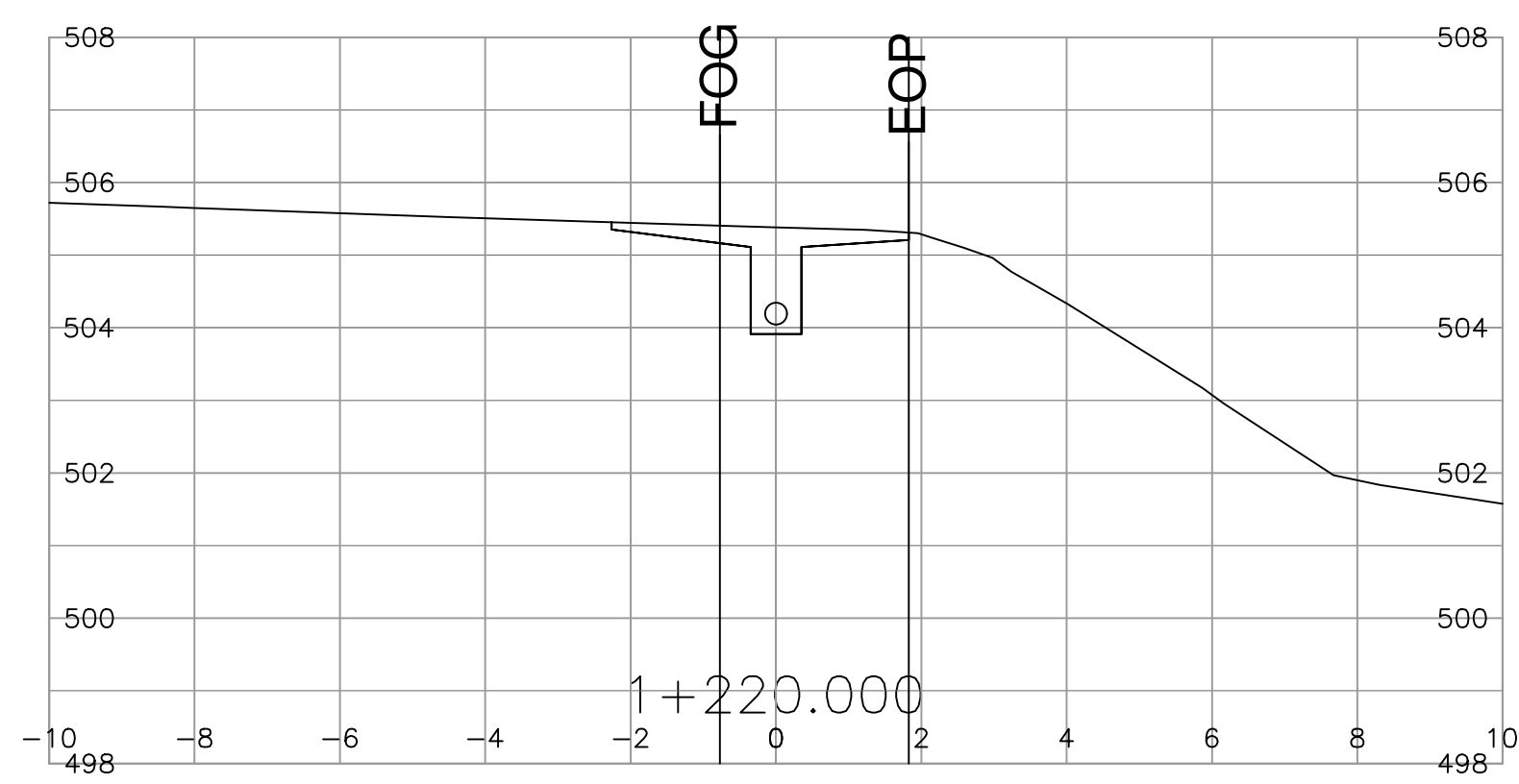
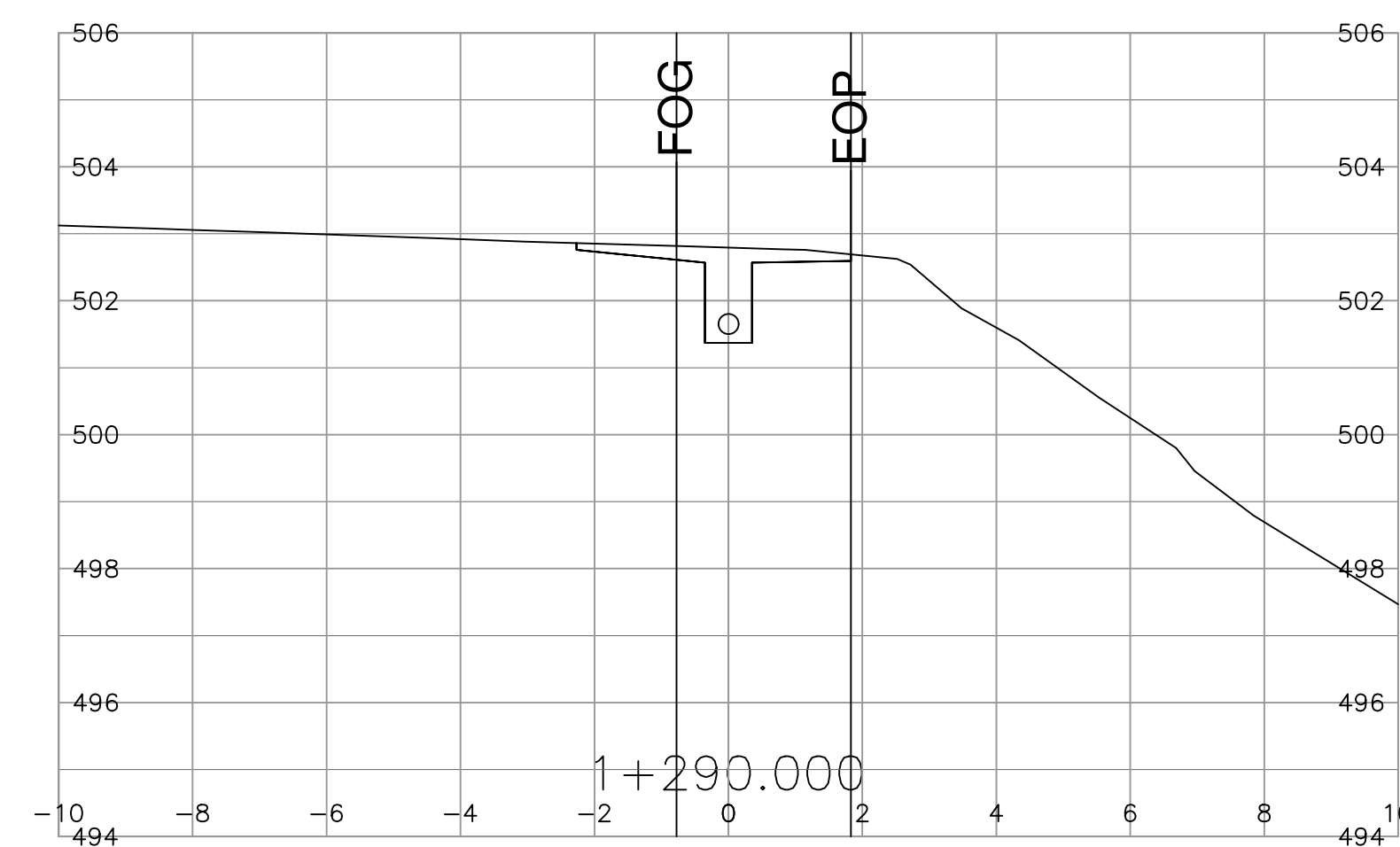
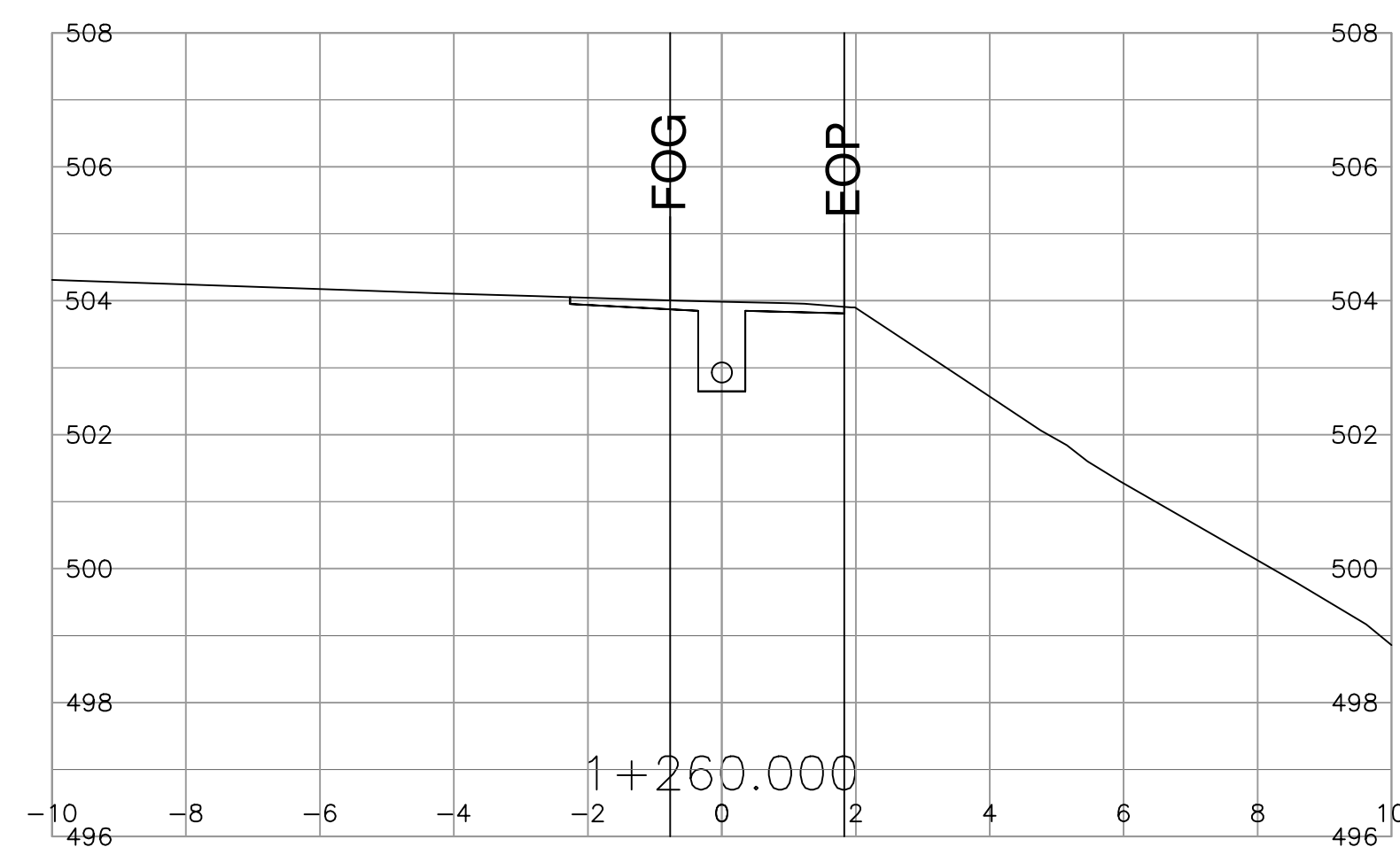
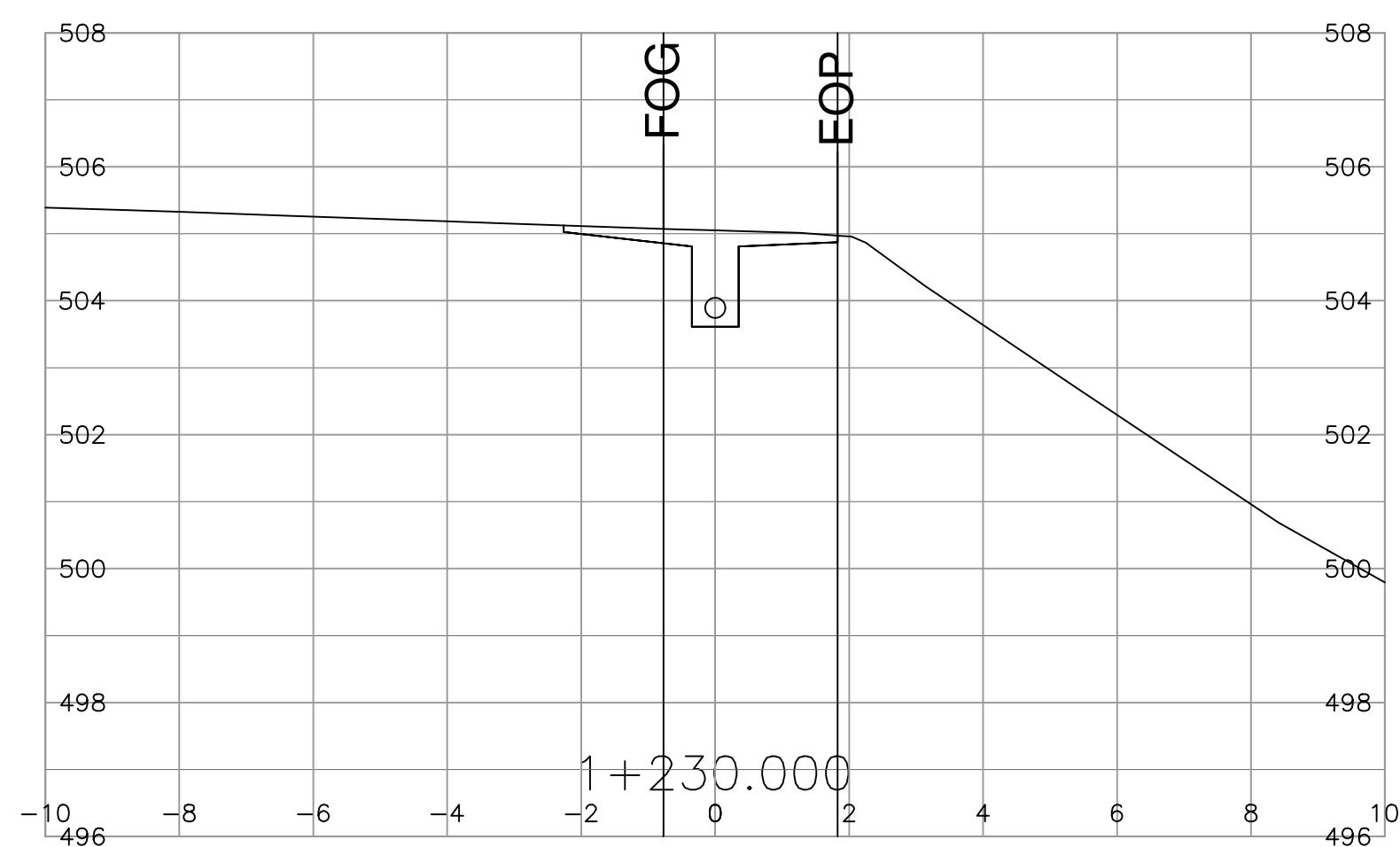
MINISTRY OF TRANSPORTATION AND INFRASTRUCTURE  
SOUTHERN INTERIOR REGION  
HIGHWAY ENGINEERING AND GEOMATICS

JENNA LEE P. ENG.  
SENIOR DESIGNER  
DATE 2018-01-11

DESIGNED J. LEE DATE 2018-01-11  
QUALITY CONTROL J. FITZGERALD DATE 2018-01-11  
QUALITY ASSURANCE S. KING DATE 2018-01-11  
DRAWN J. WHITE DATE 2018-01-11

SECTIONS  
HIGHWAY 97  
OYAMA DRAINAGE IMPROVEMENTS


FILE NUMBER 2809	PROJECT NUMBER 24191-0002	REG 2	DRAWING NUMBER R2-1015-1002	REV
---------------------	------------------------------	----------	--------------------------------	-----



SCALE 0 1 1:100 5m

CAD FILENAME R2-1015-1001-1033  
PLOT DATE 1/11/2018

REV	DATE	REVISIONS	NAME



**MINISTRY OF TRANSPORTATION AND INFRASTRUCTURE**  
SOUTHERN INTERIOR REGION  
HIGHWAY ENGINEERING AND GEOMATICS

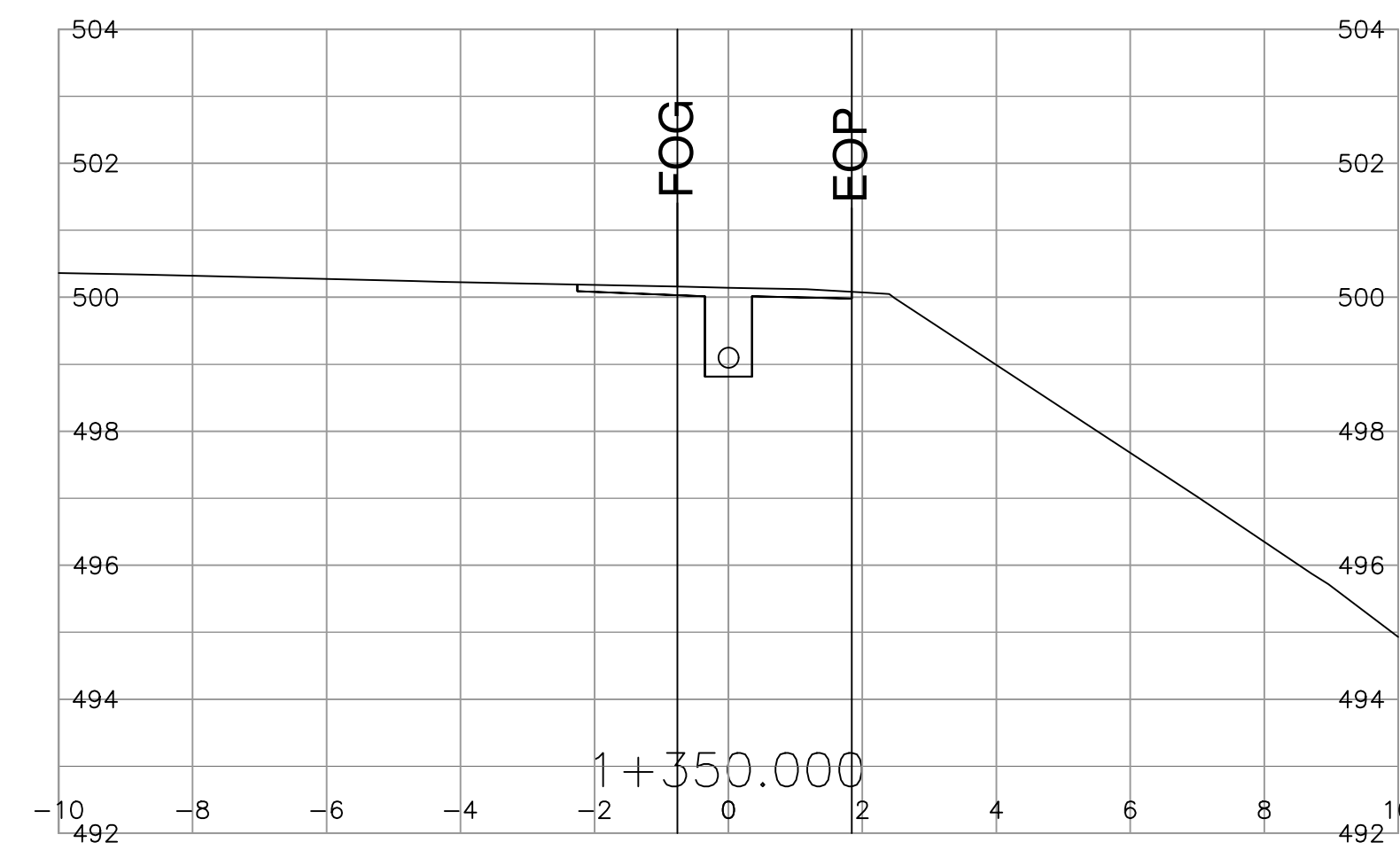
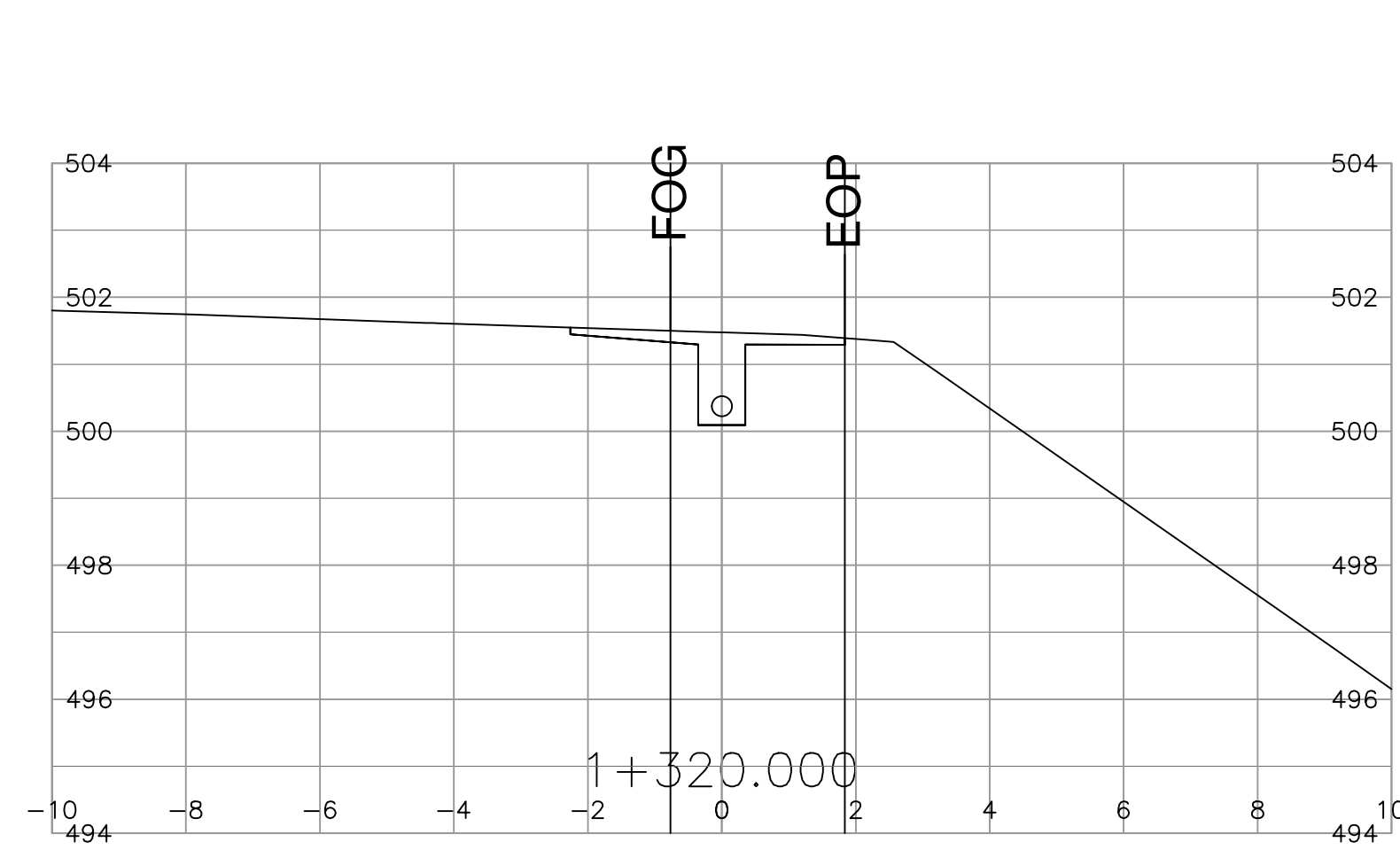
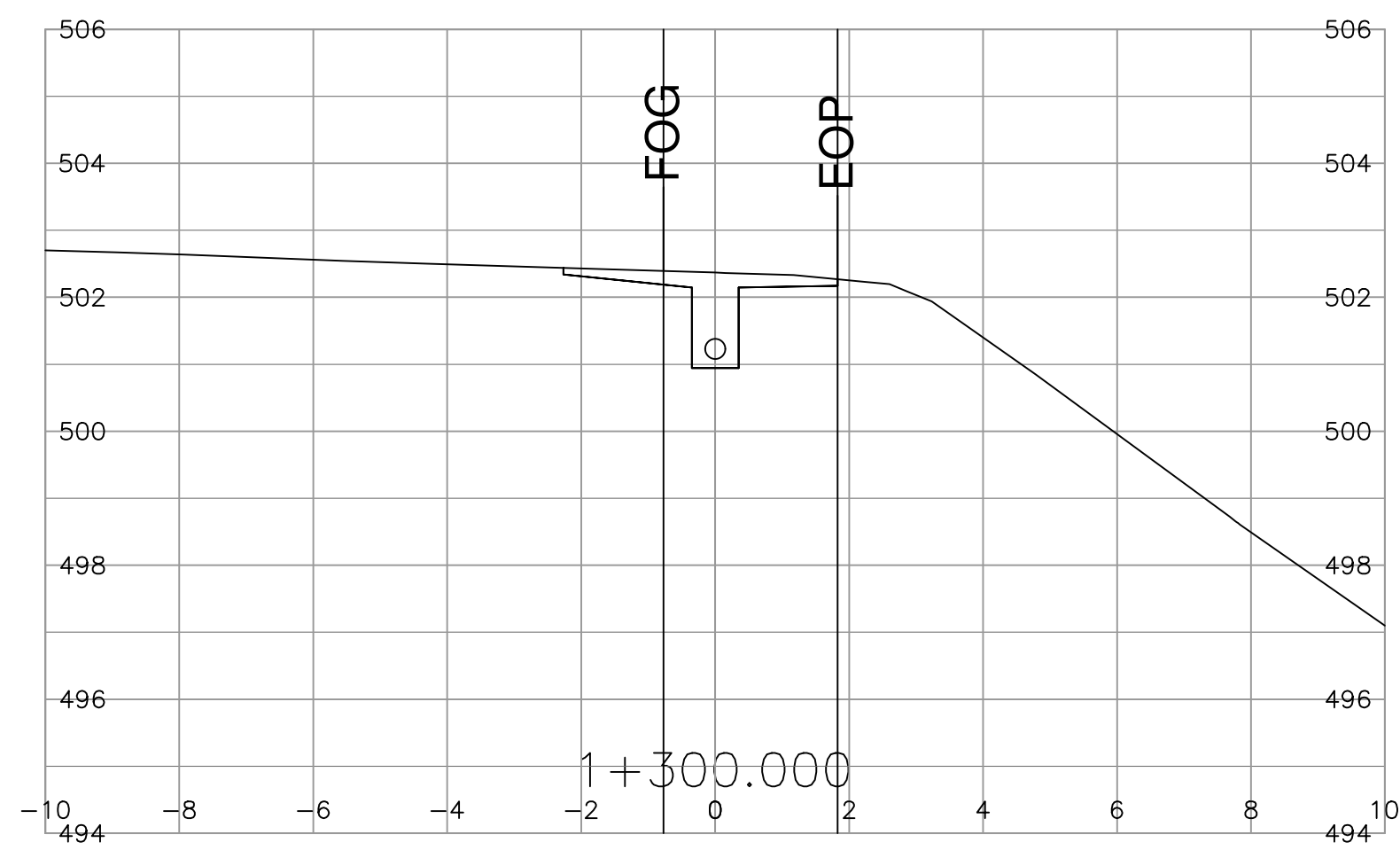
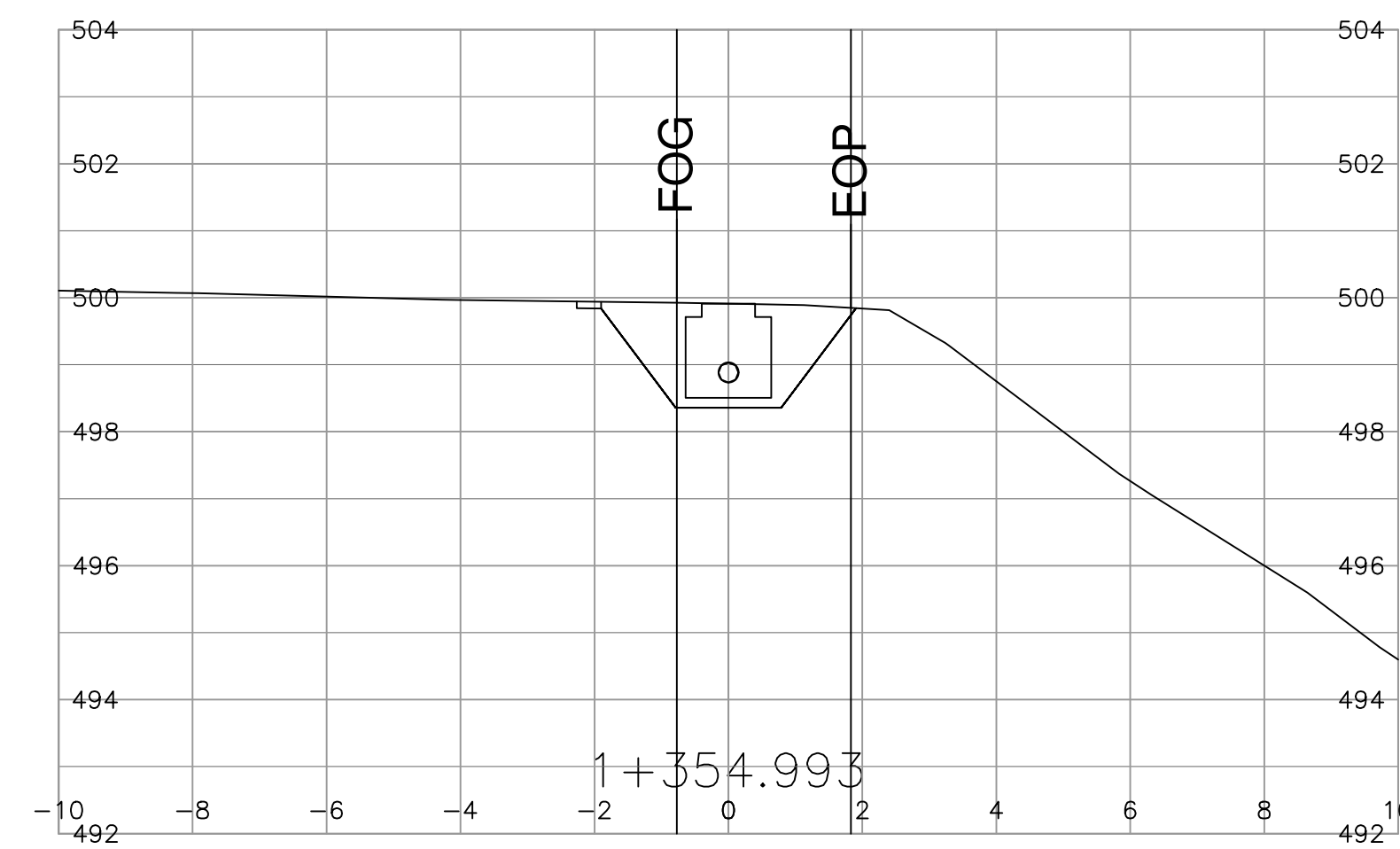
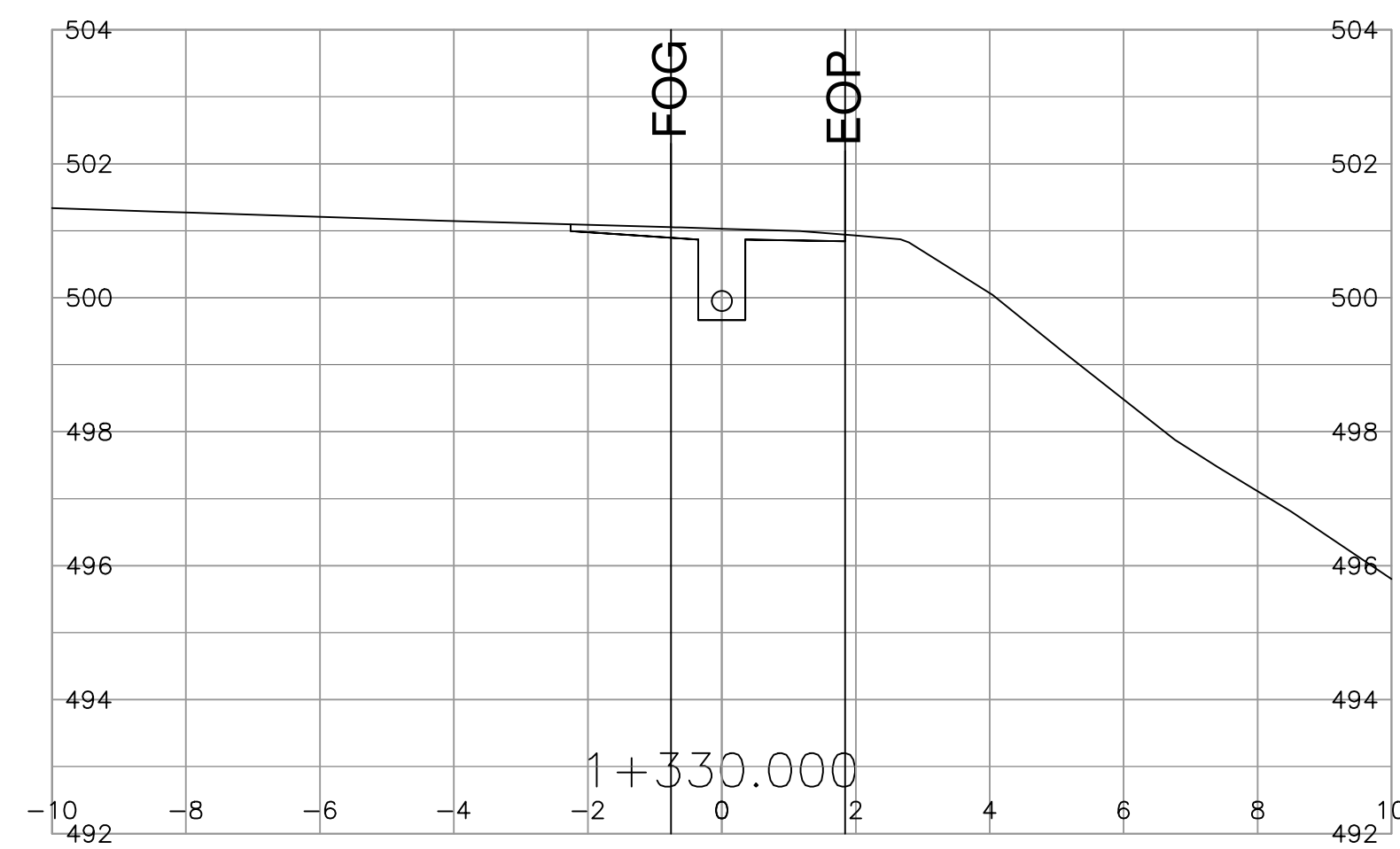
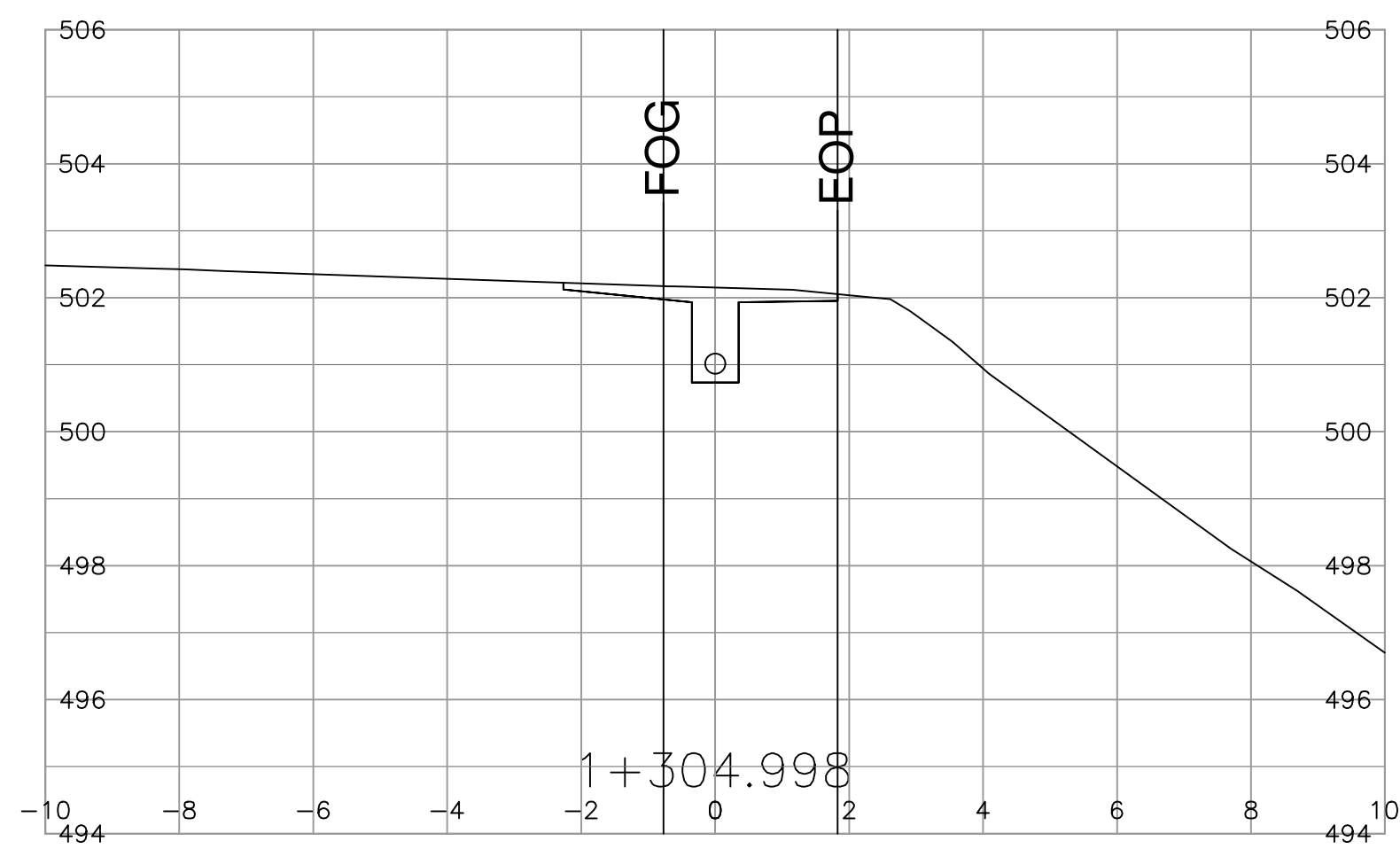
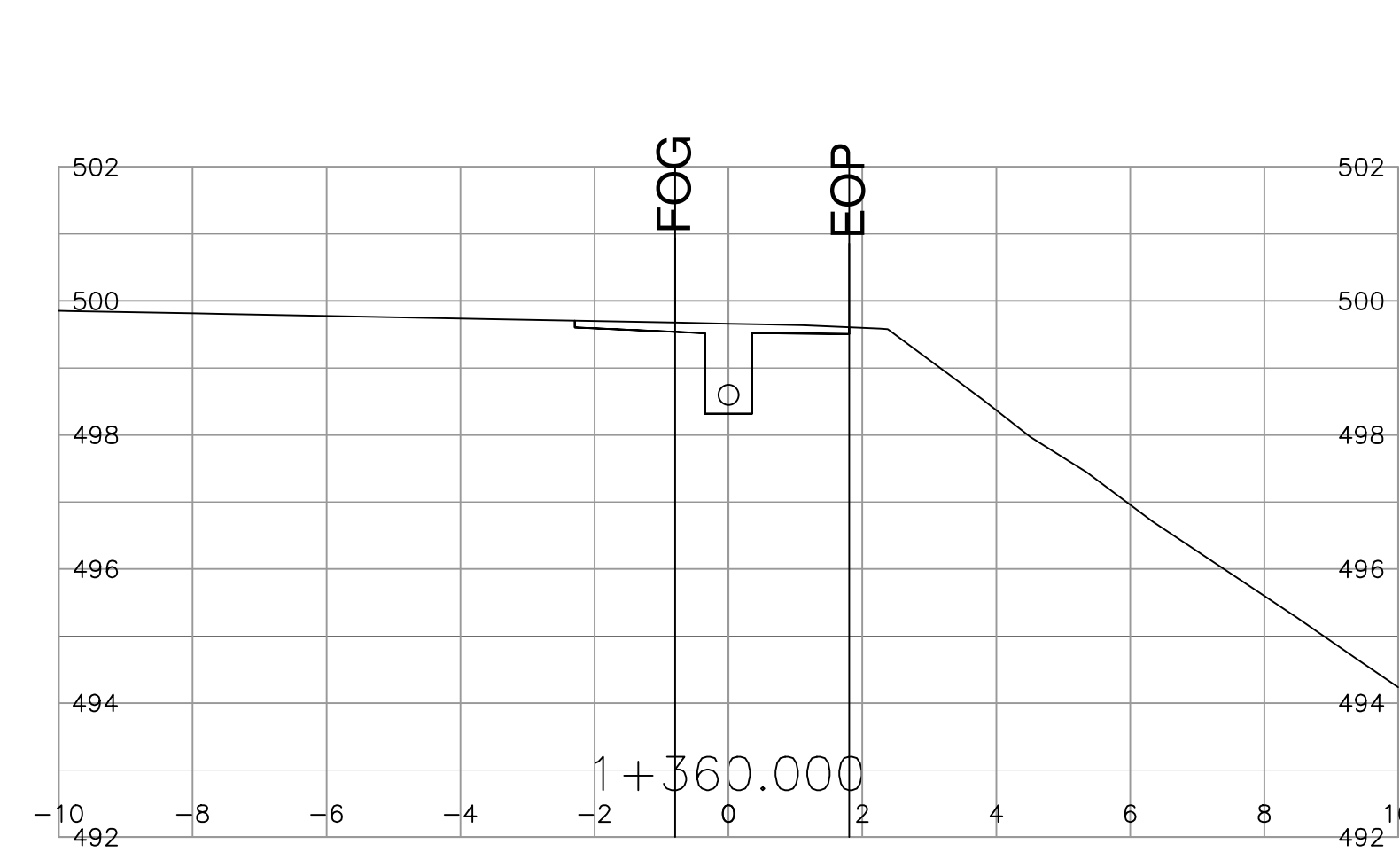
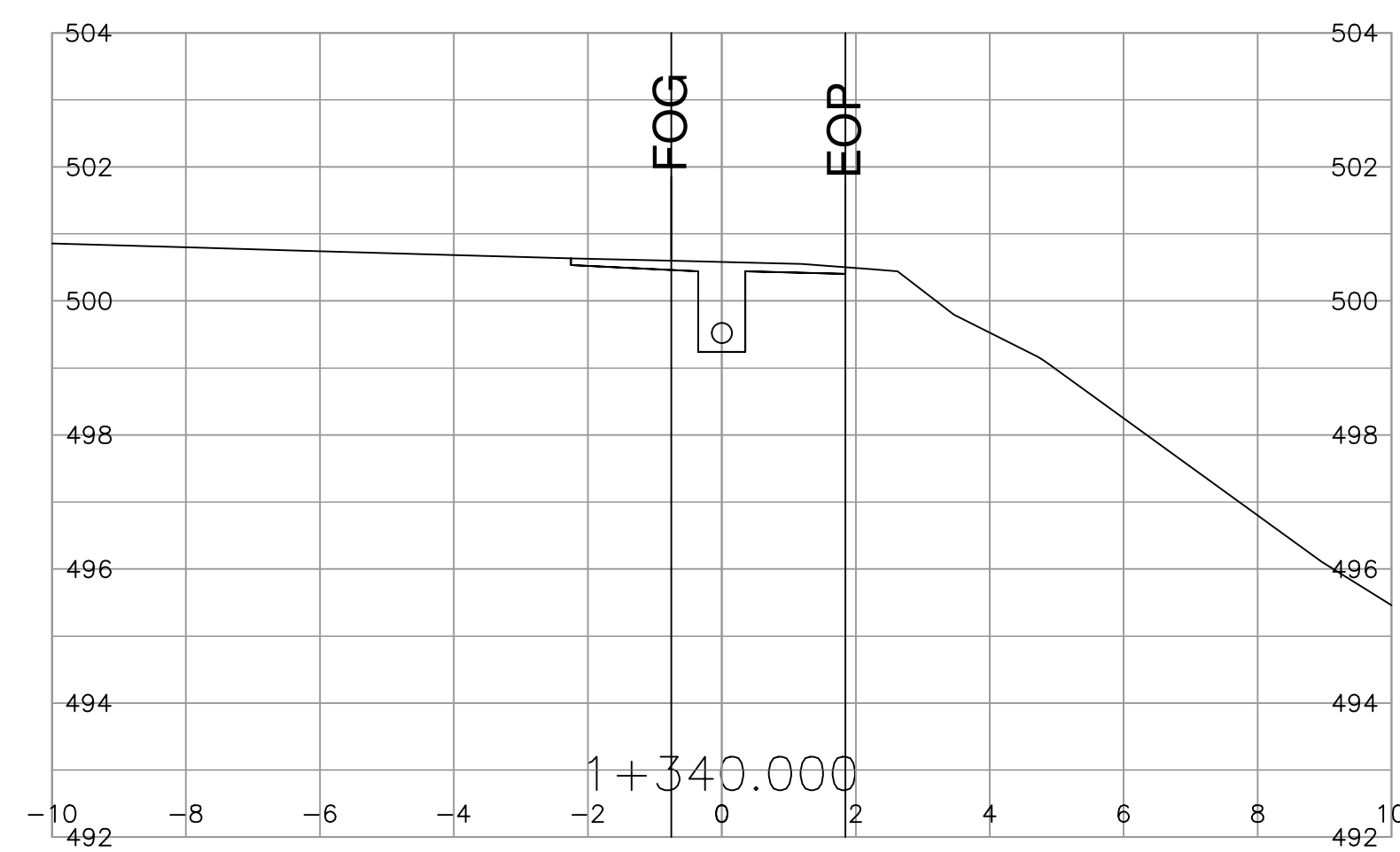
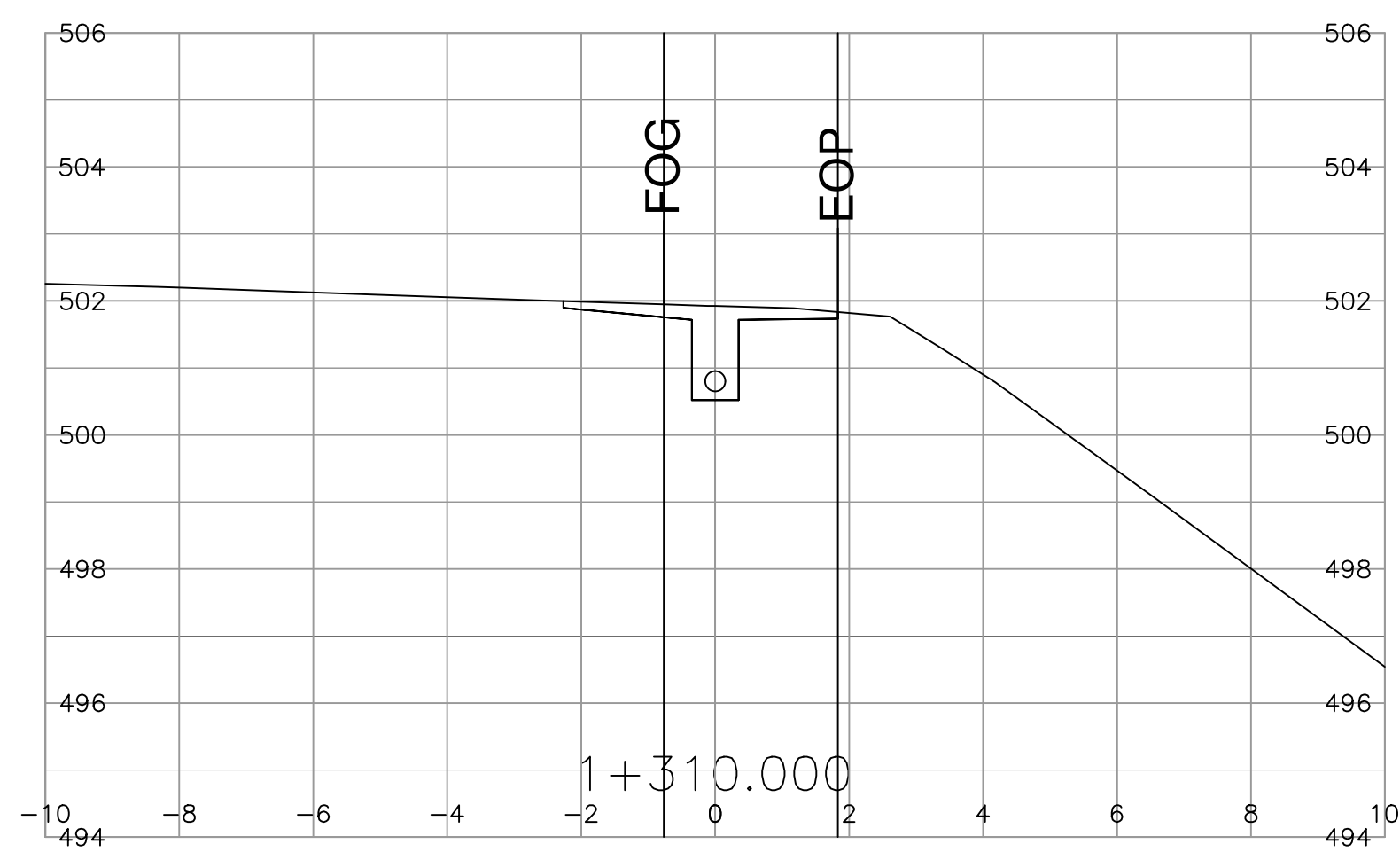
JENNA LEE P. ENG.  
SENIOR DESIGNER

DESIGNED J. LEE DATE 2018-01-11  
QUALITY CONTROL J. FITZGERALD DATE 2018-01-11  
QUALITY ASSURANCE S. KING DATE 2018-01-11  
DRAWN J. WHITE DATE 2018-01-11

DATE 2018-01-11

**SECTIONS**  
HIGHWAY 97  
OYAMA DRAINAGE IMPROVEMENTS


FILE NUMBER 2809	PROJECT NUMBER 24191-0002	REG 2	DRAWING NUMBER R2-1015-1003	REV
---------------------	------------------------------	----------	--------------------------------	-----



SCALE 0 1 1:100 5m

CAD FILENAME R2-1015-1001-1033  
PLOT DATE 1/11/2018

REV	DATE	REVISIONS	NAME



**MINISTRY OF TRANSPORTATION AND INFRASTRUCTURE**  
SOUTHERN INTERIOR REGION  
HIGHWAY ENGINEERING AND GEOMATICS

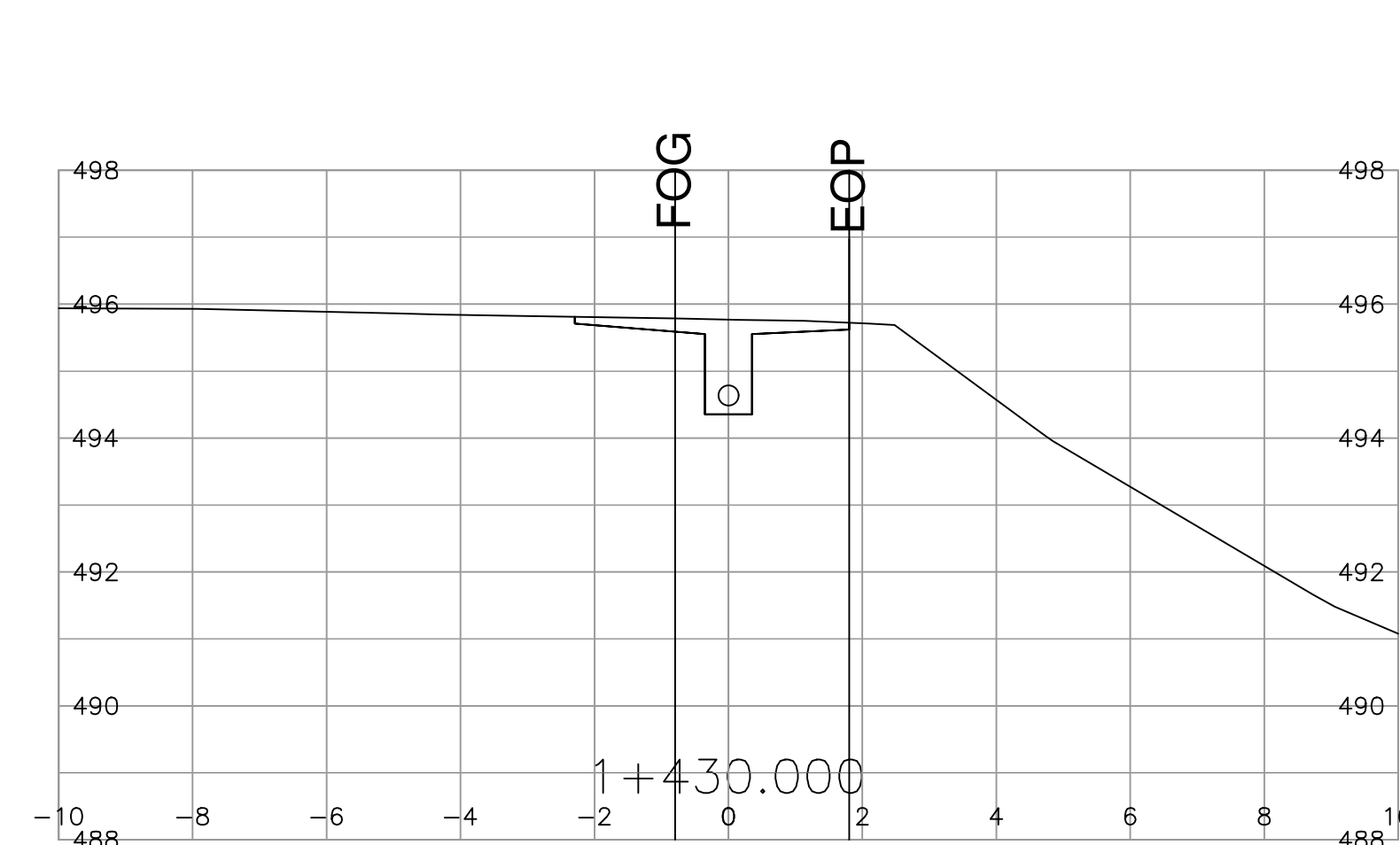
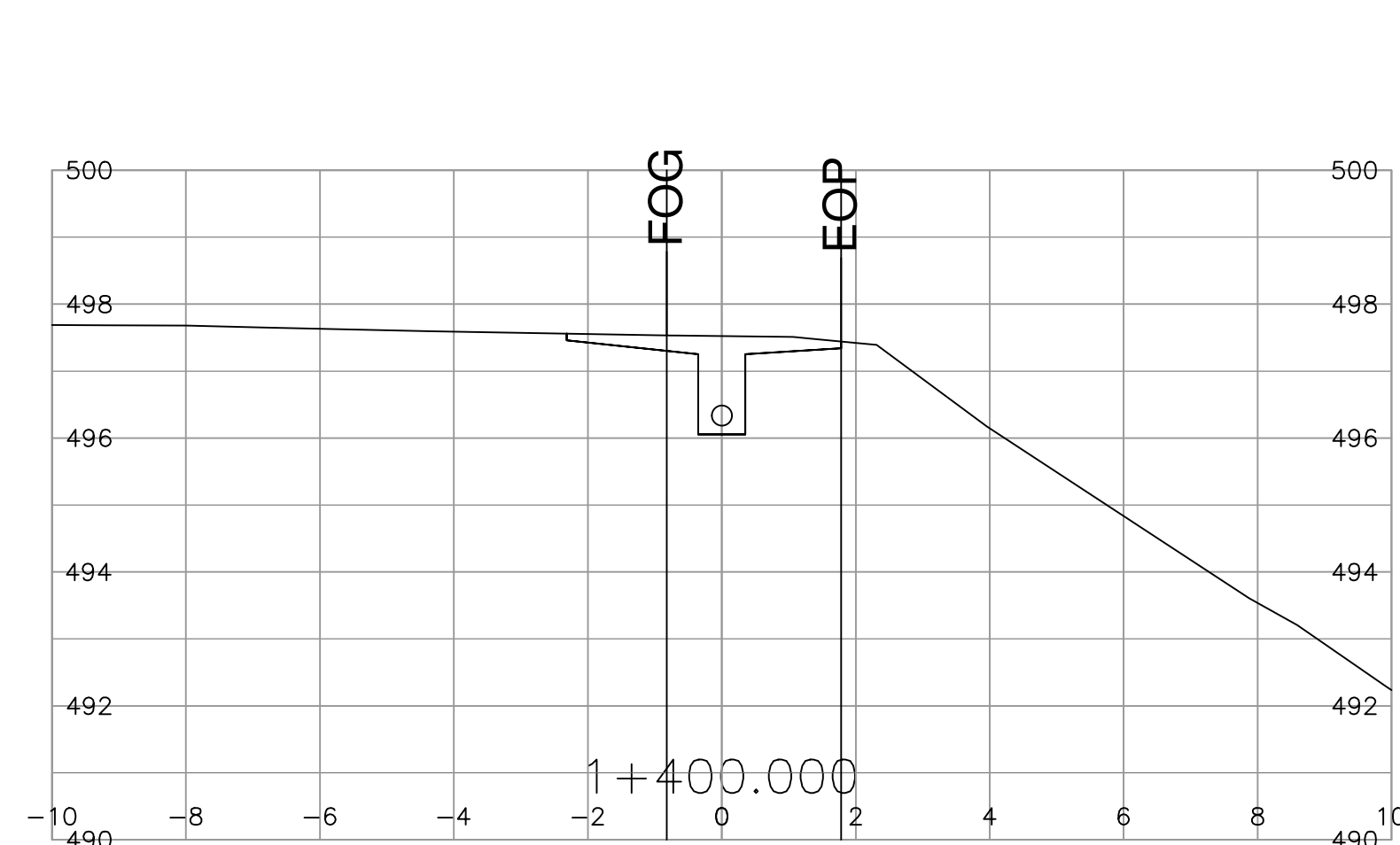
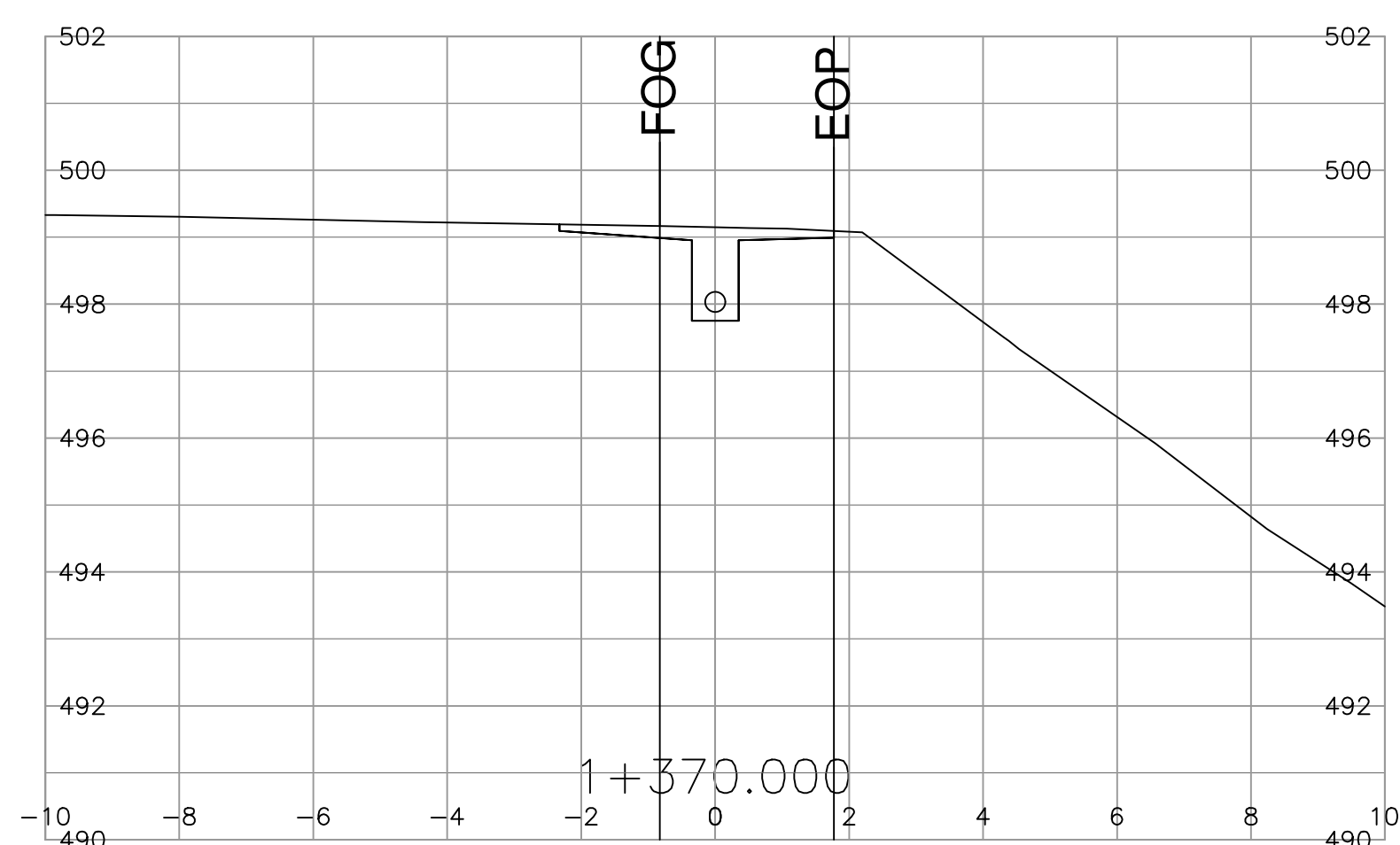
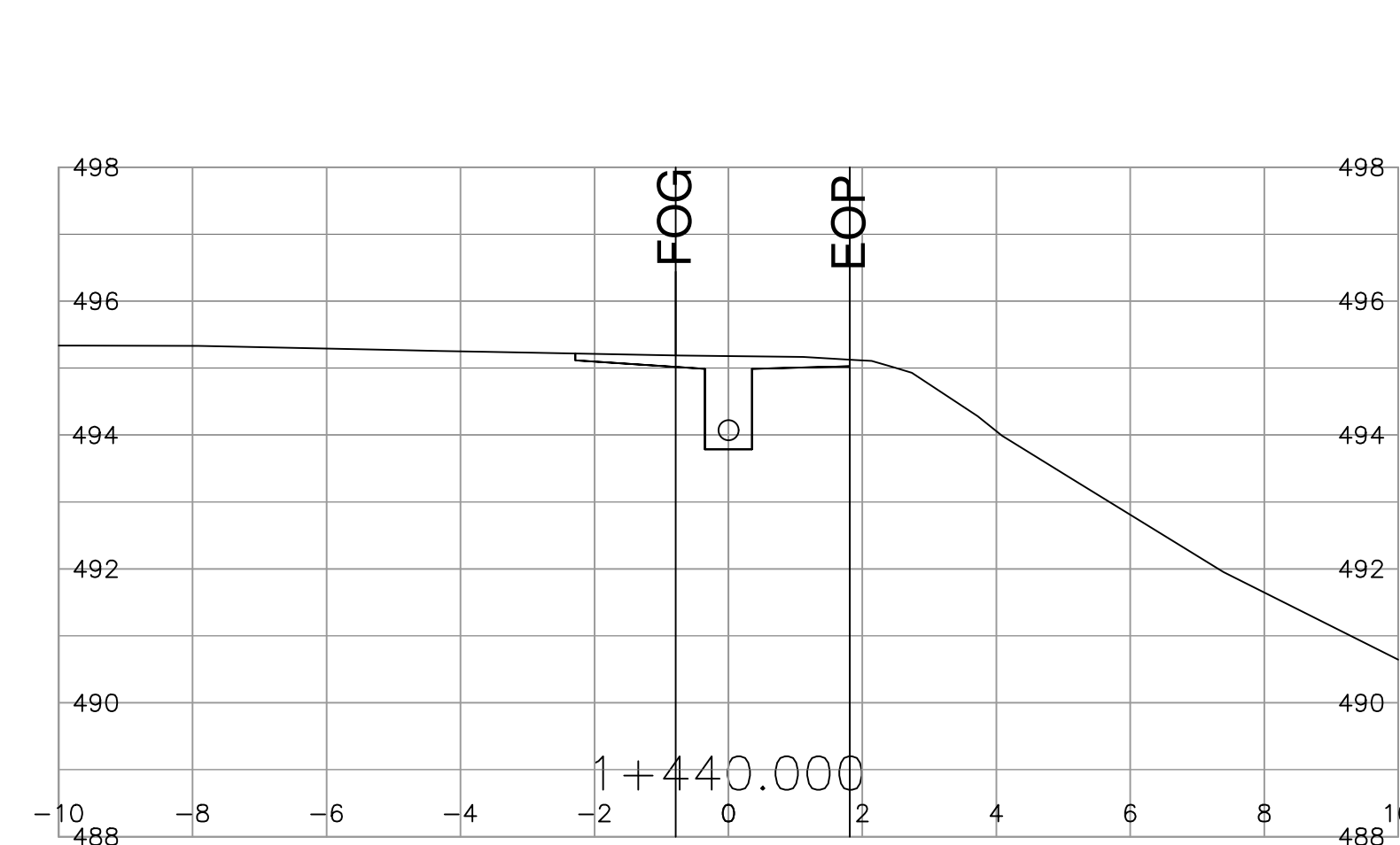
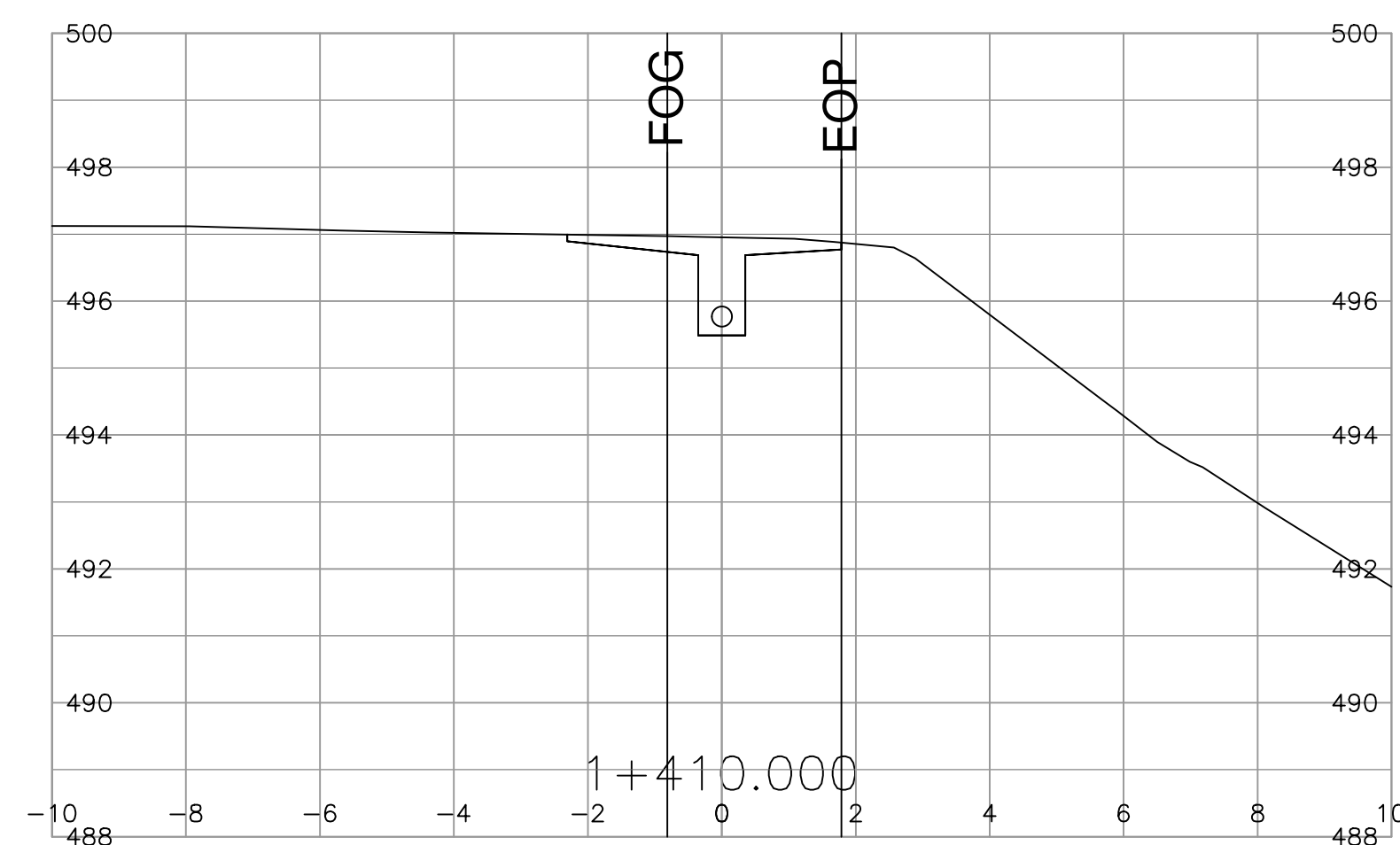
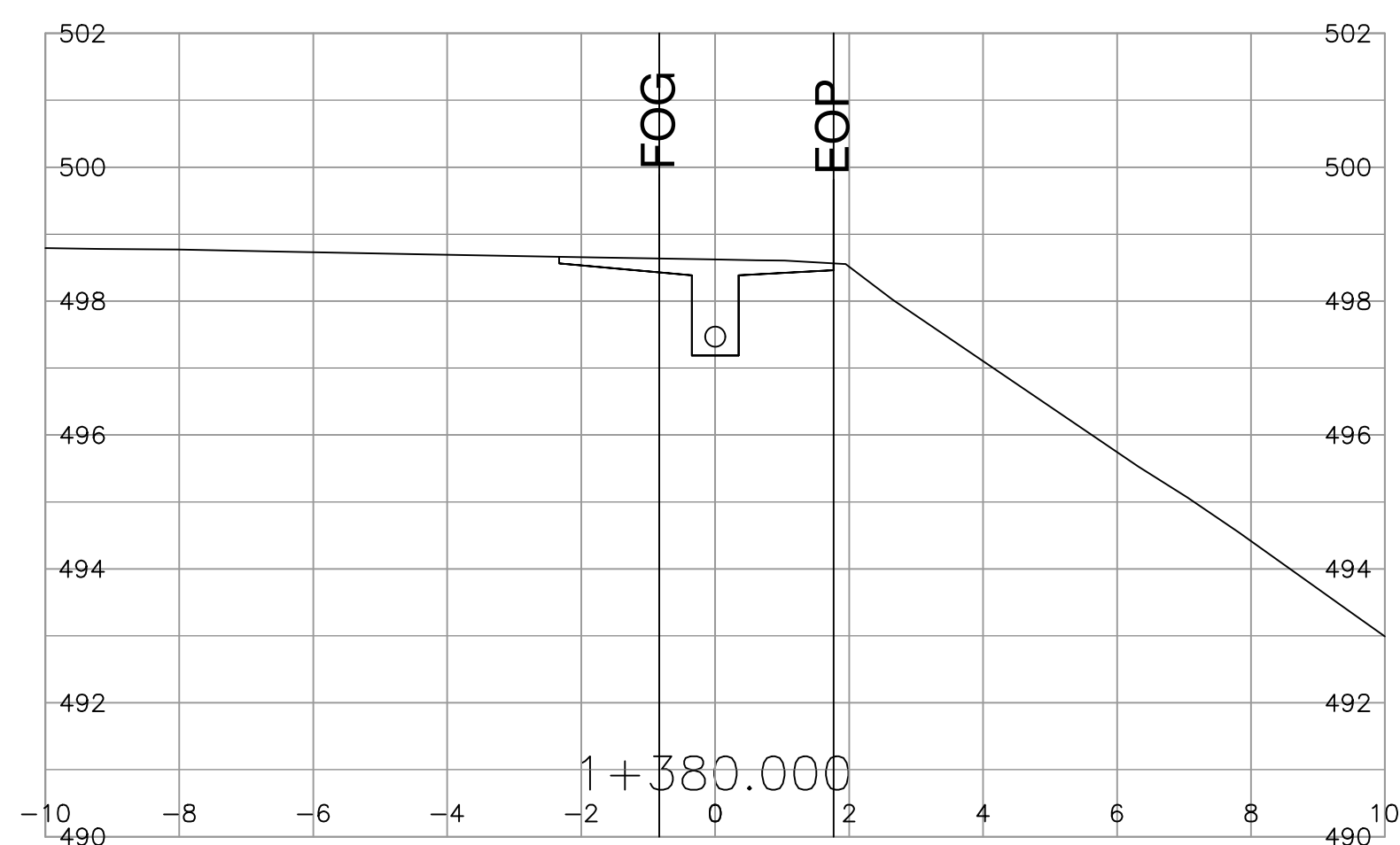
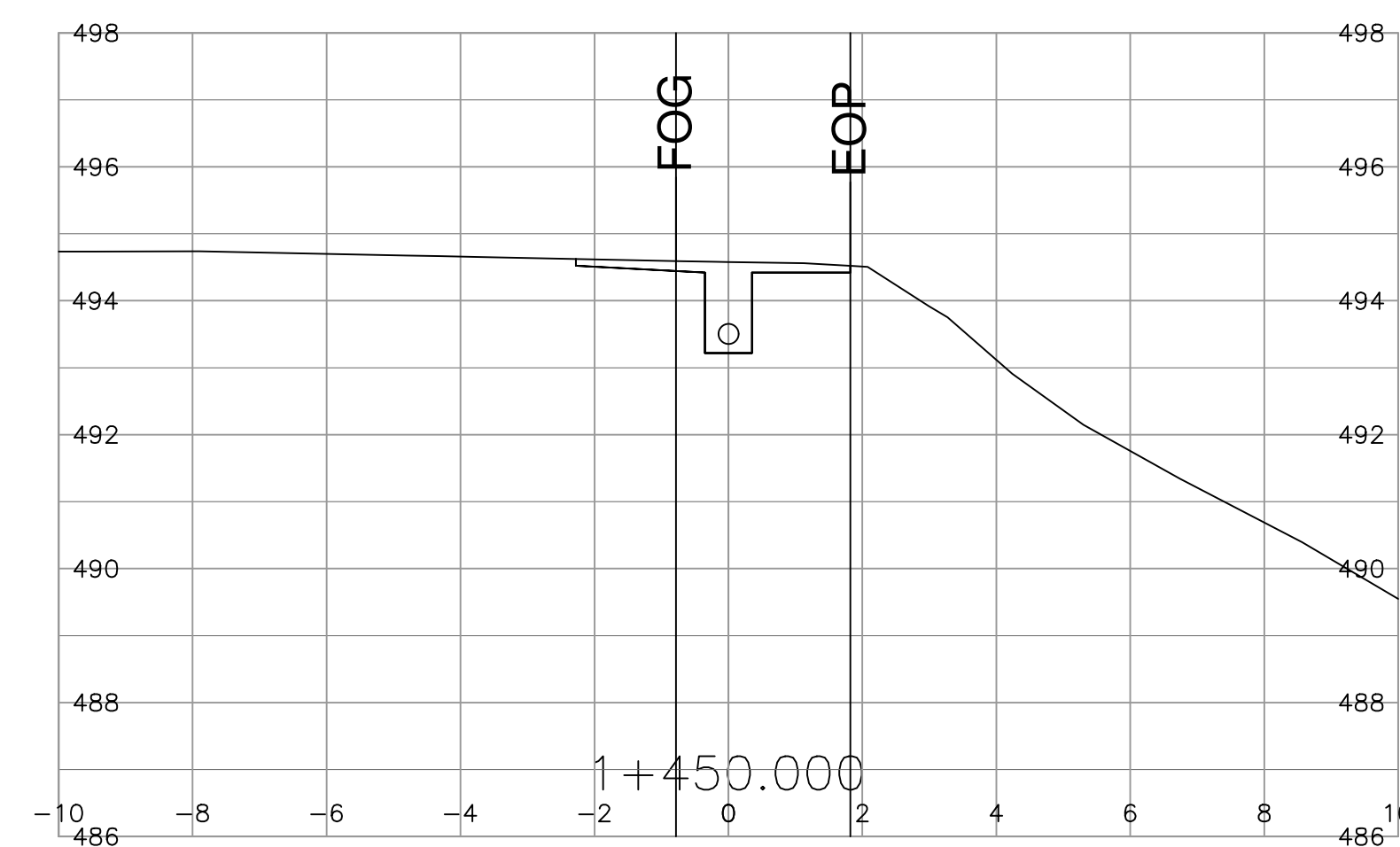
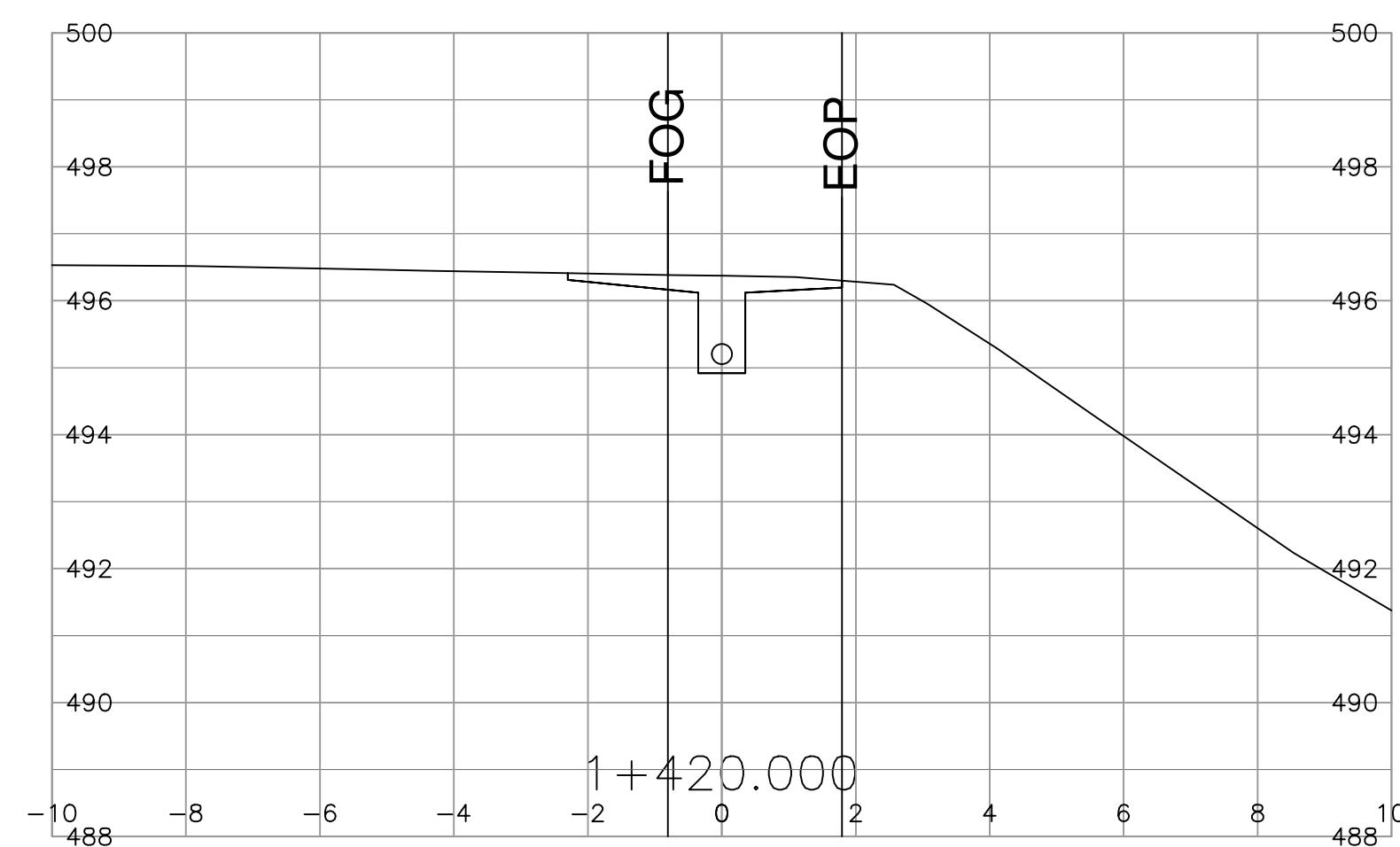
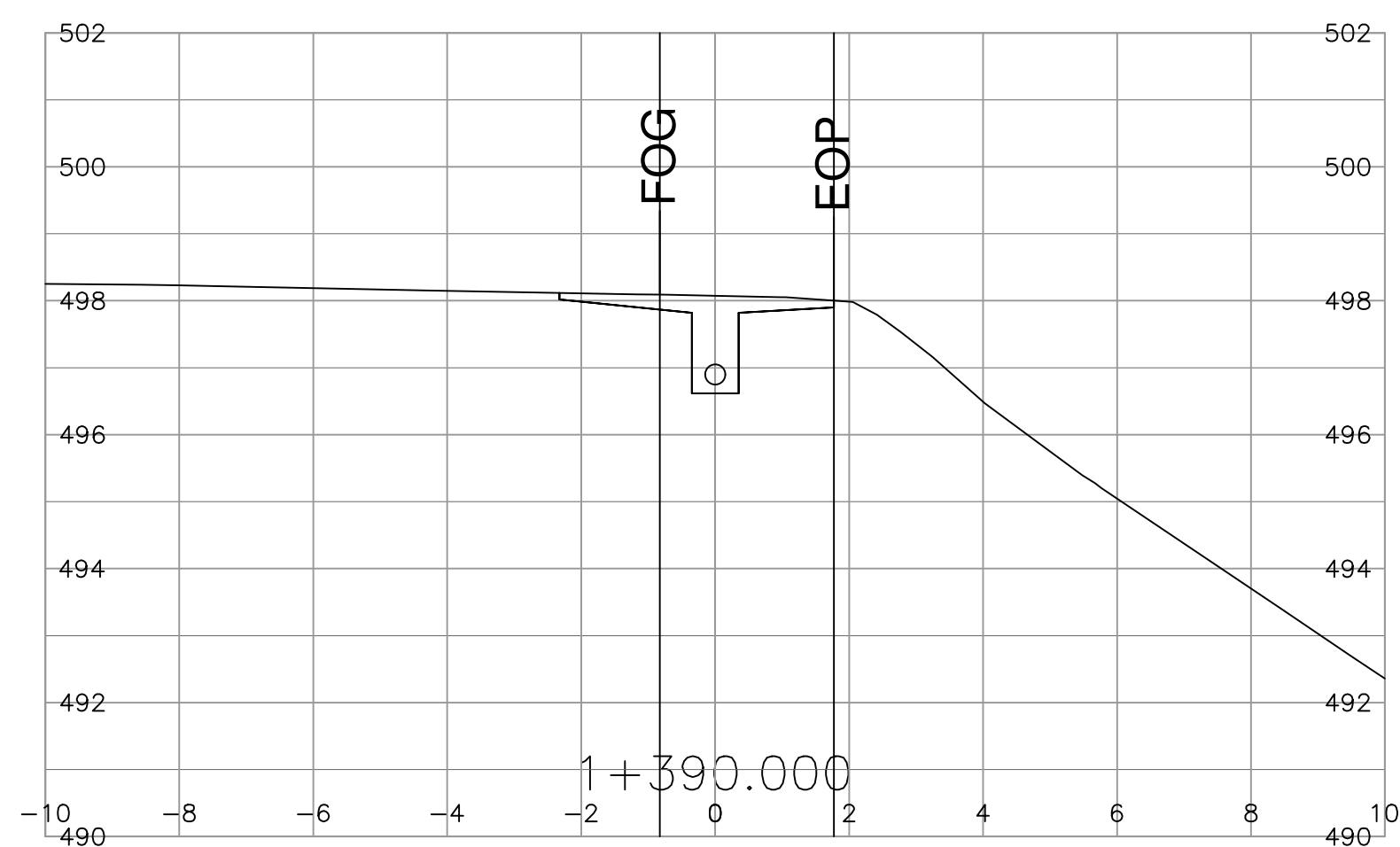
JENNA LEE P. ENG.  
SENIOR DESIGNER

DESIGNED J. LEE DATE 2018-01-11  
QUALITY CONTROL J. FITZGERALD DATE 2018-01-11  
QUALITY ASSURANCE S. KING DATE 2018-01-11  
DRAWN J. WHITE DATE 2018-01-11

DATE 2018-01-11

SECTIONS				
HIGHWAY 97				
OYAMA DRAINAGE IMPROVEMENTS				
FILE NUMBER	PROJECT NUMBER	REG	DRAWING NUMBER	REV
2809	24191-0002	2	R2-1015-1004	





SCALE 0 1 1:100 5m

CAD FILENAME R2-1015-1001-1033  
PLOT DATE 1/11/2018

REV	DATE	REVISIONS	NAME

**MINISTRY OF TRANSPORTATION AND INFRASTRUCTURE**  
SOUTHERN INTERIOR REGION  
HIGHWAY ENGINEERING AND GEOMATICS

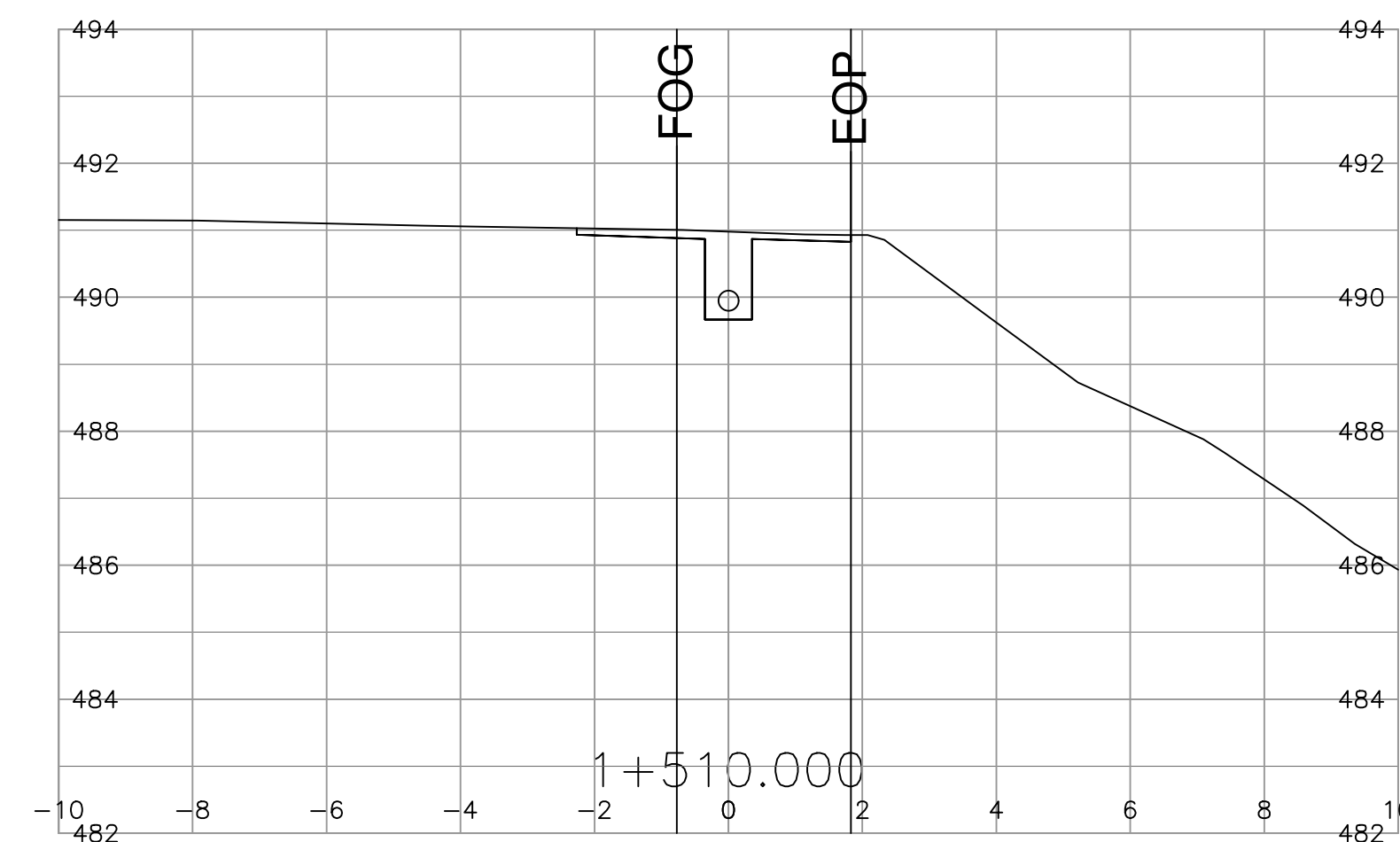
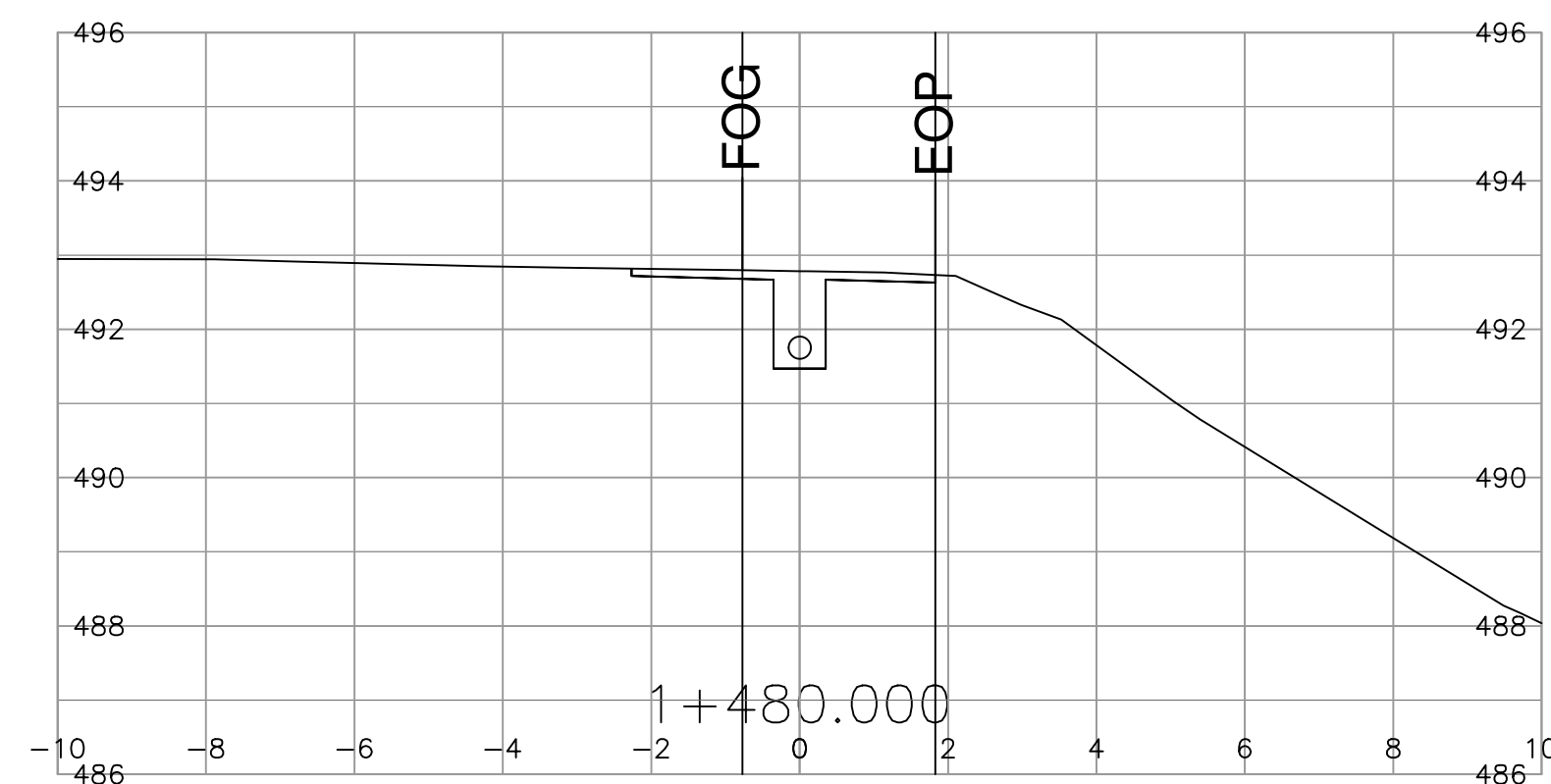
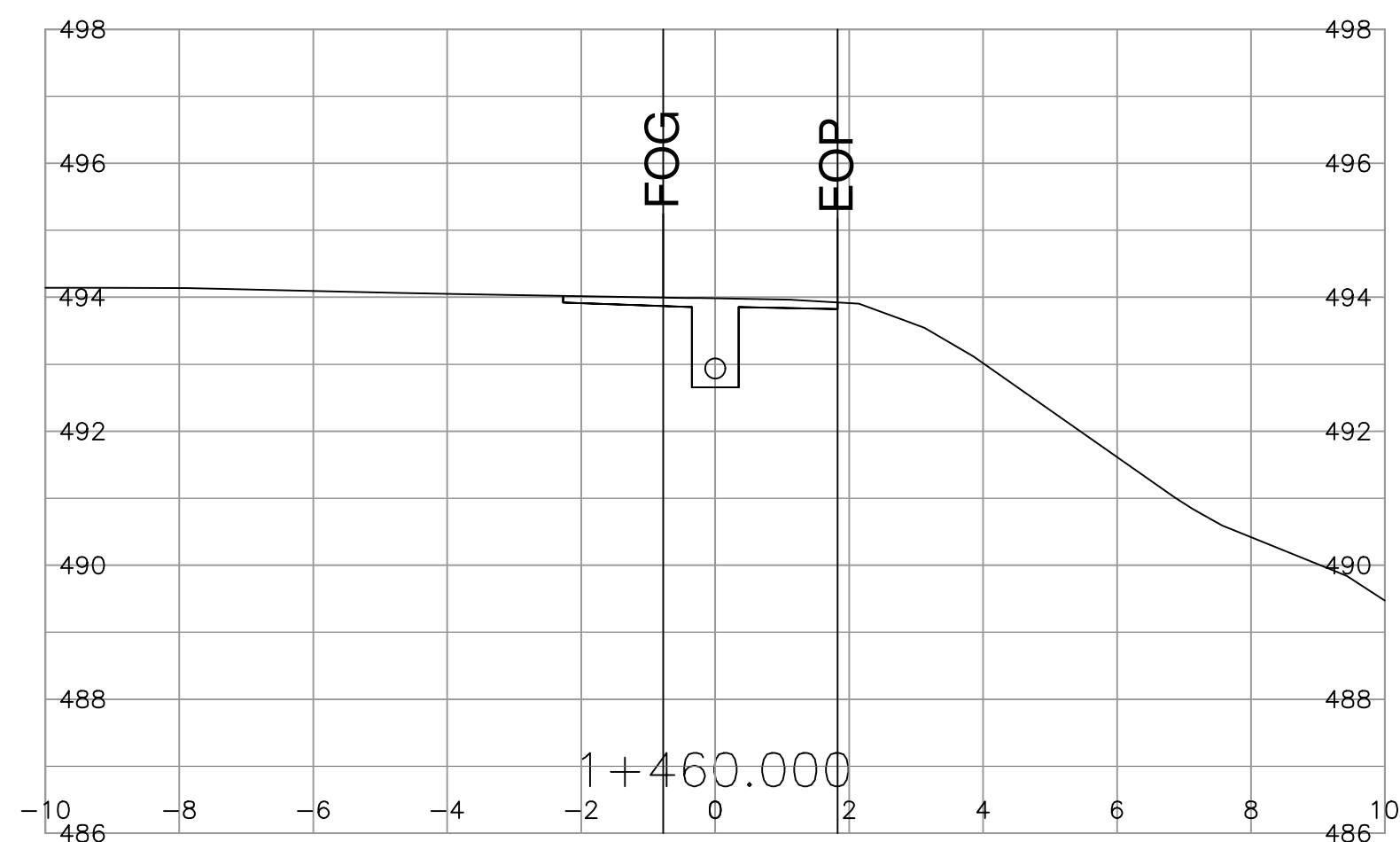
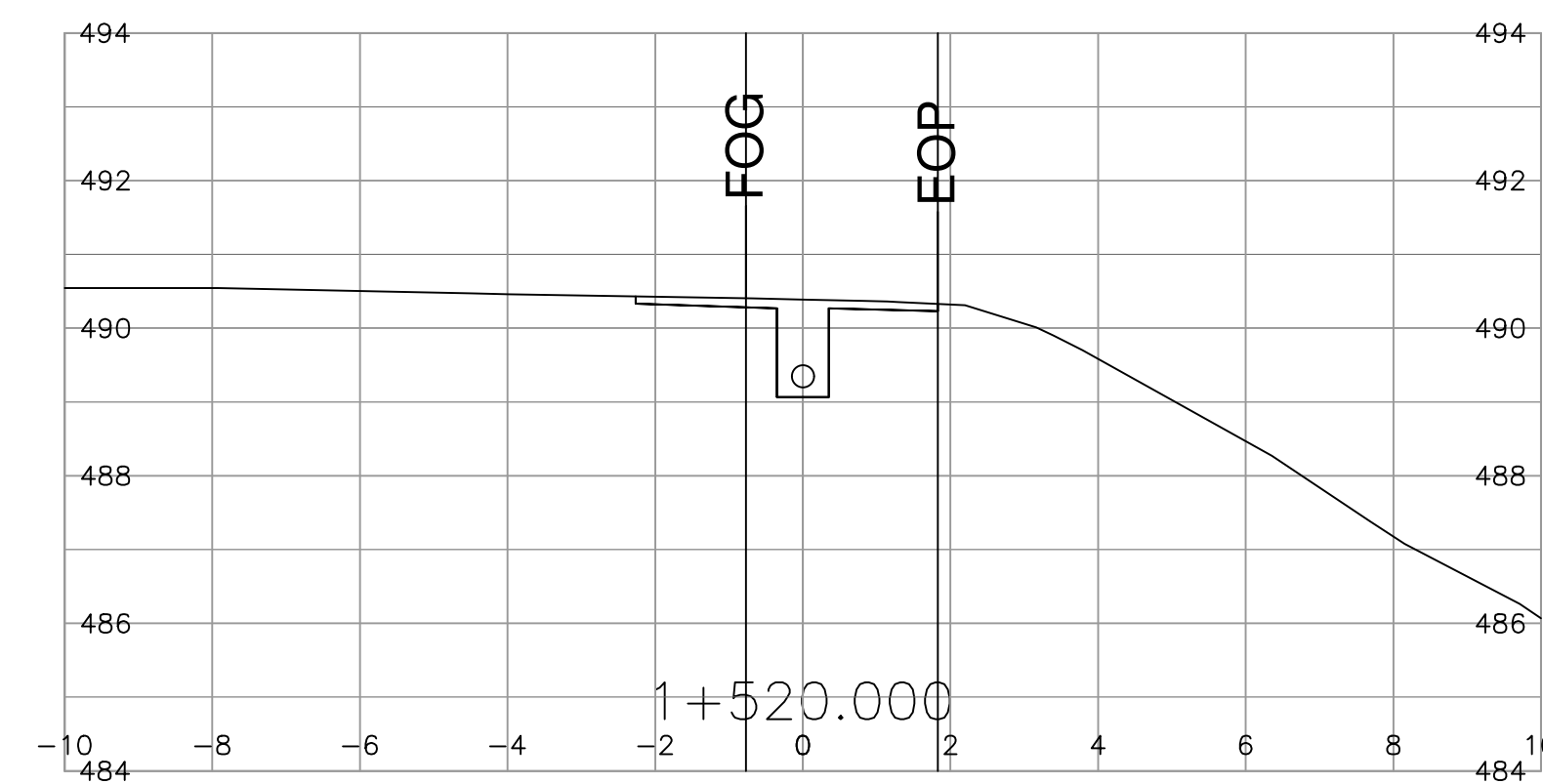
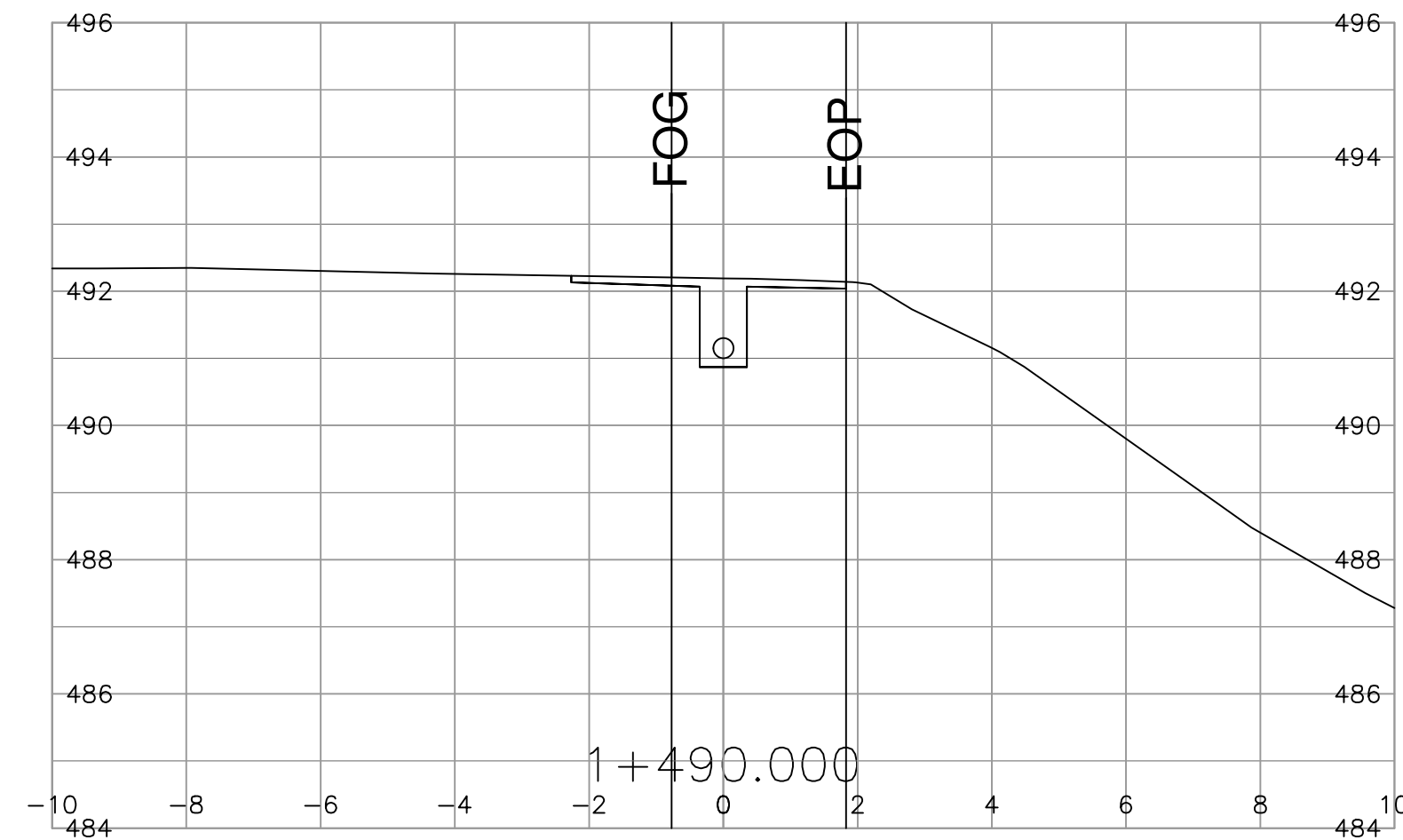
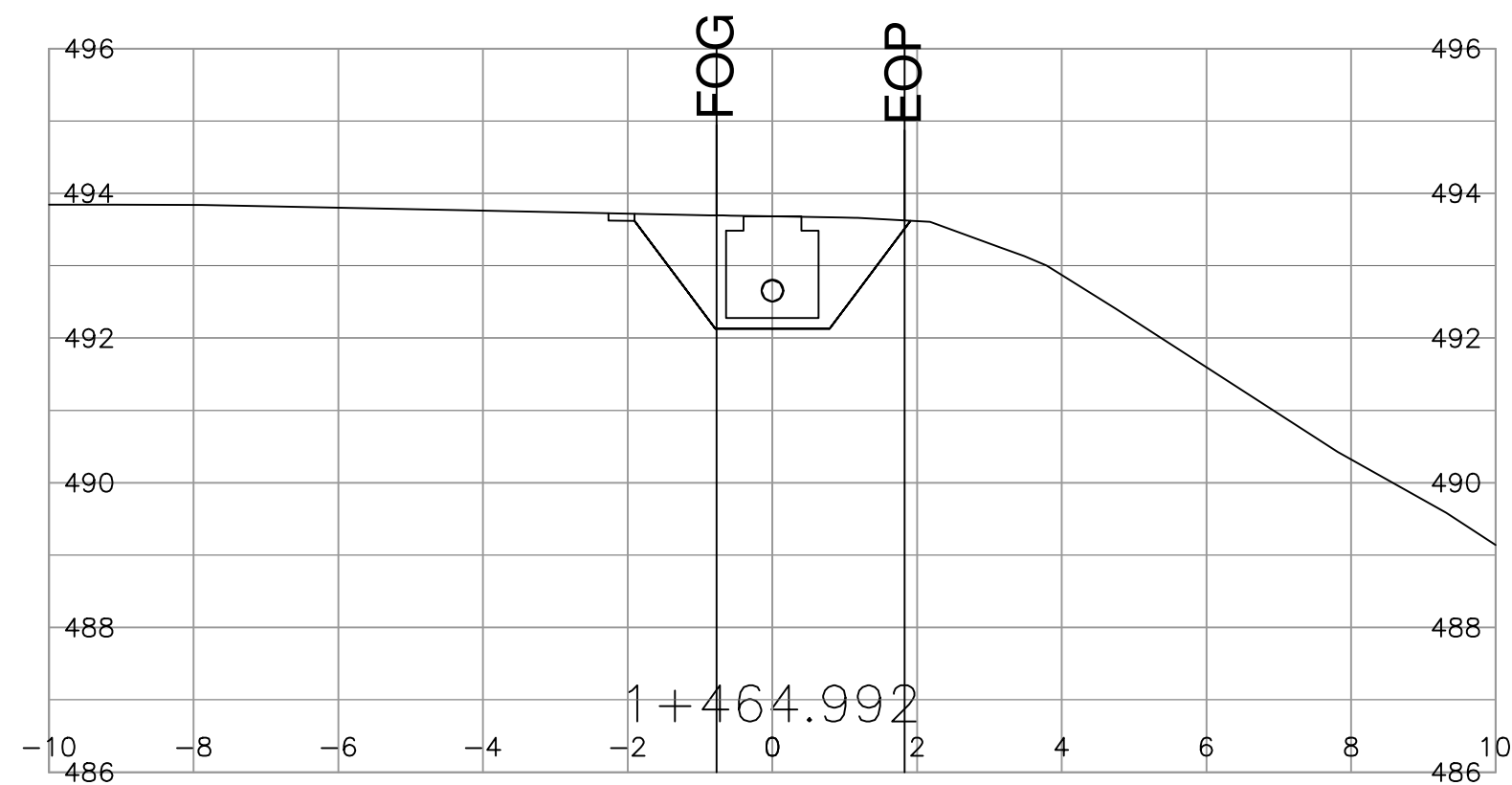
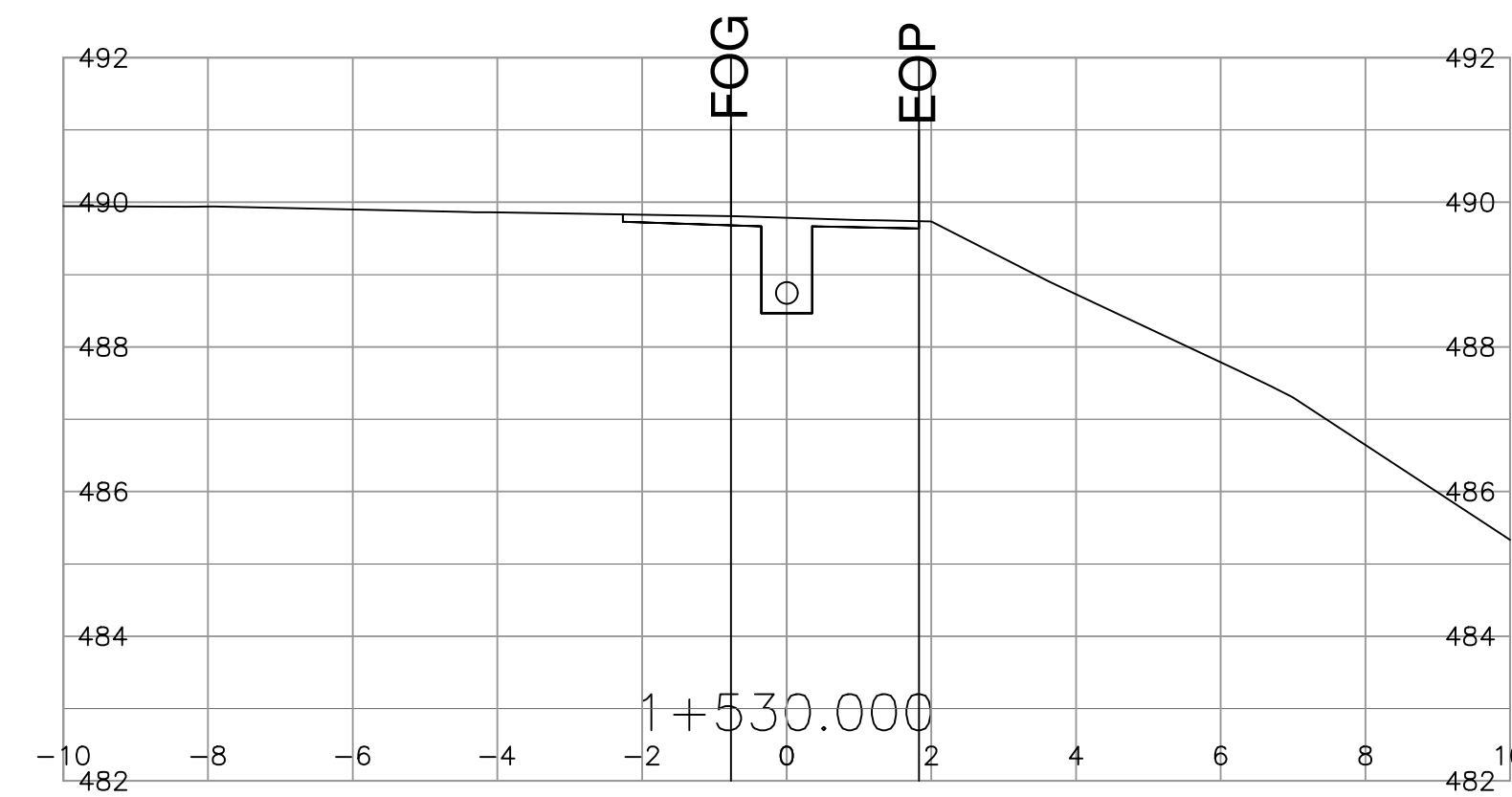
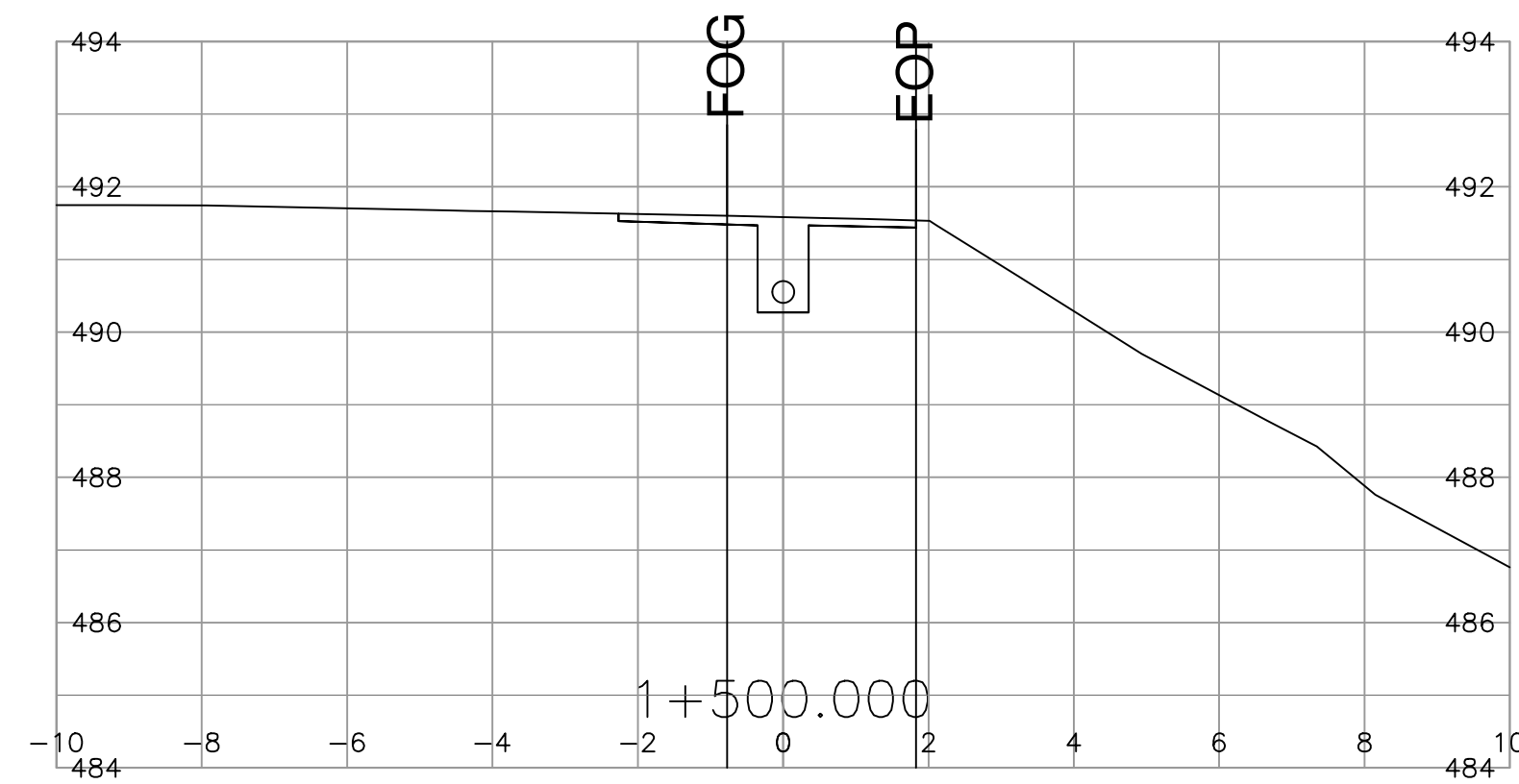
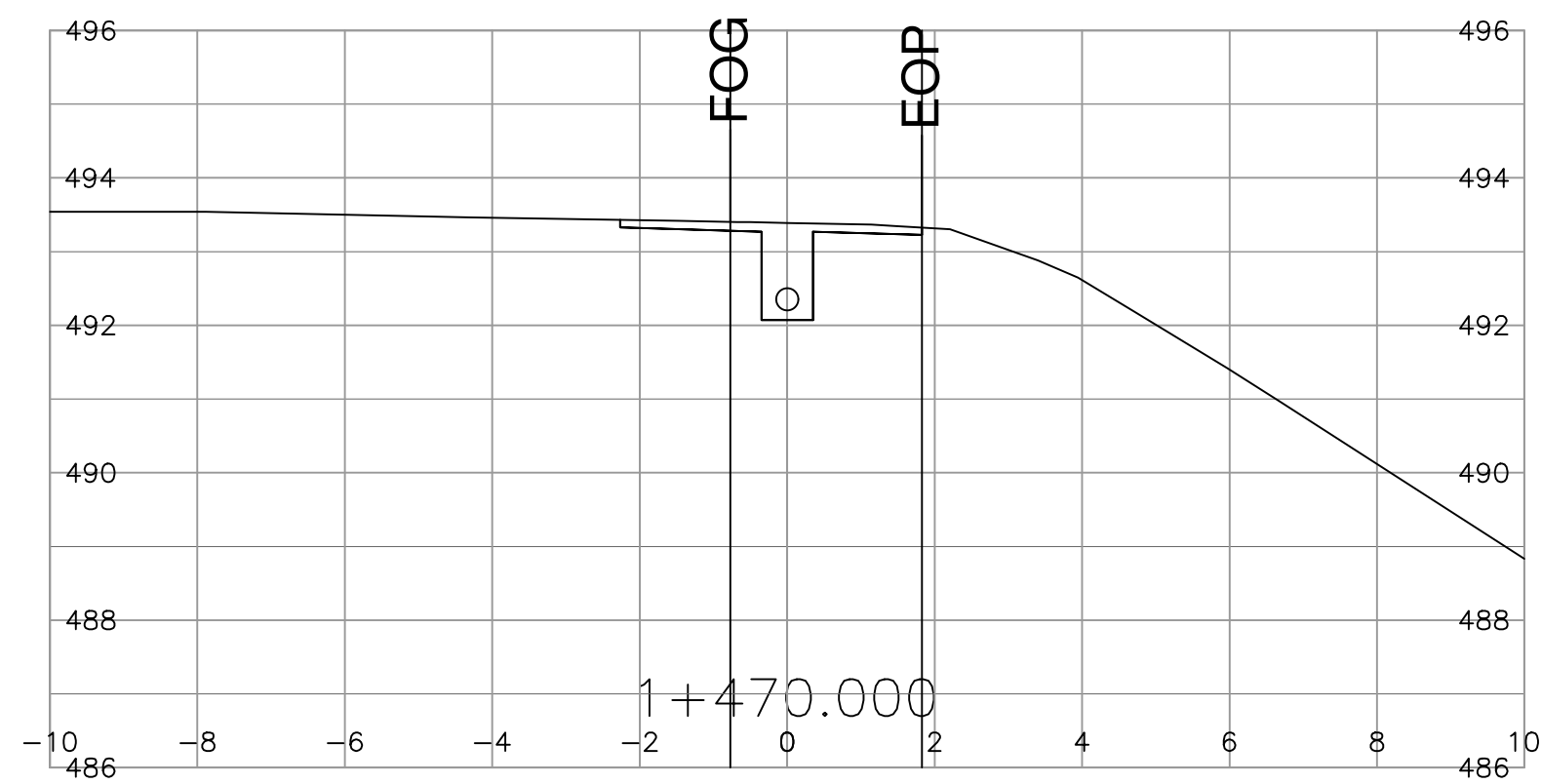
JENNA LEE P. ENG.  
SENIOR DESIGNER

DESIGNED J. LEE DATE 2018-01-11  
QUALITY CONTROL J. FITZGERALD DATE 2018-01-11  
QUALITY ASSURANCE S. KING DATE 2018-01-11  
DRAWN J. WHITE DATE 2018-01-11

DATE 2018-01-11

**SECTIONS**  
HIGHWAY 97  
OYAMA DRAINAGE IMPROVEMENTS


FILE NUMBER 2809	PROJECT NUMBER 24191-0002	REG 2	DRAWING NUMBER R2-1015-1005	REV
---------------------	------------------------------	----------	--------------------------------	-----



SCALE 0 1 1:100 5m

CAD FILENAME R2-1015-1001-1033  
PLOT DATE 1/11/2018

REV	DATE	REVISIONS	NAME

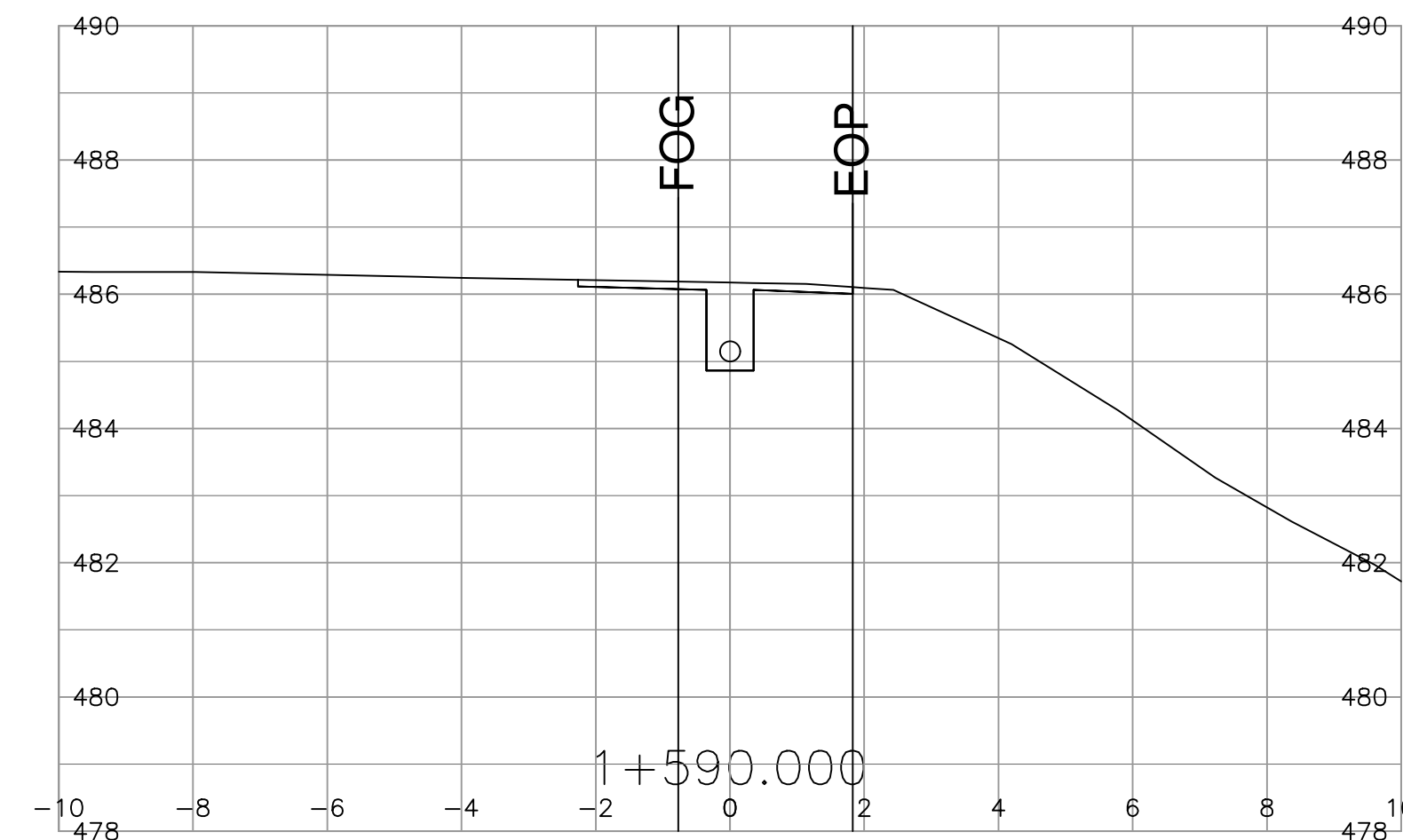
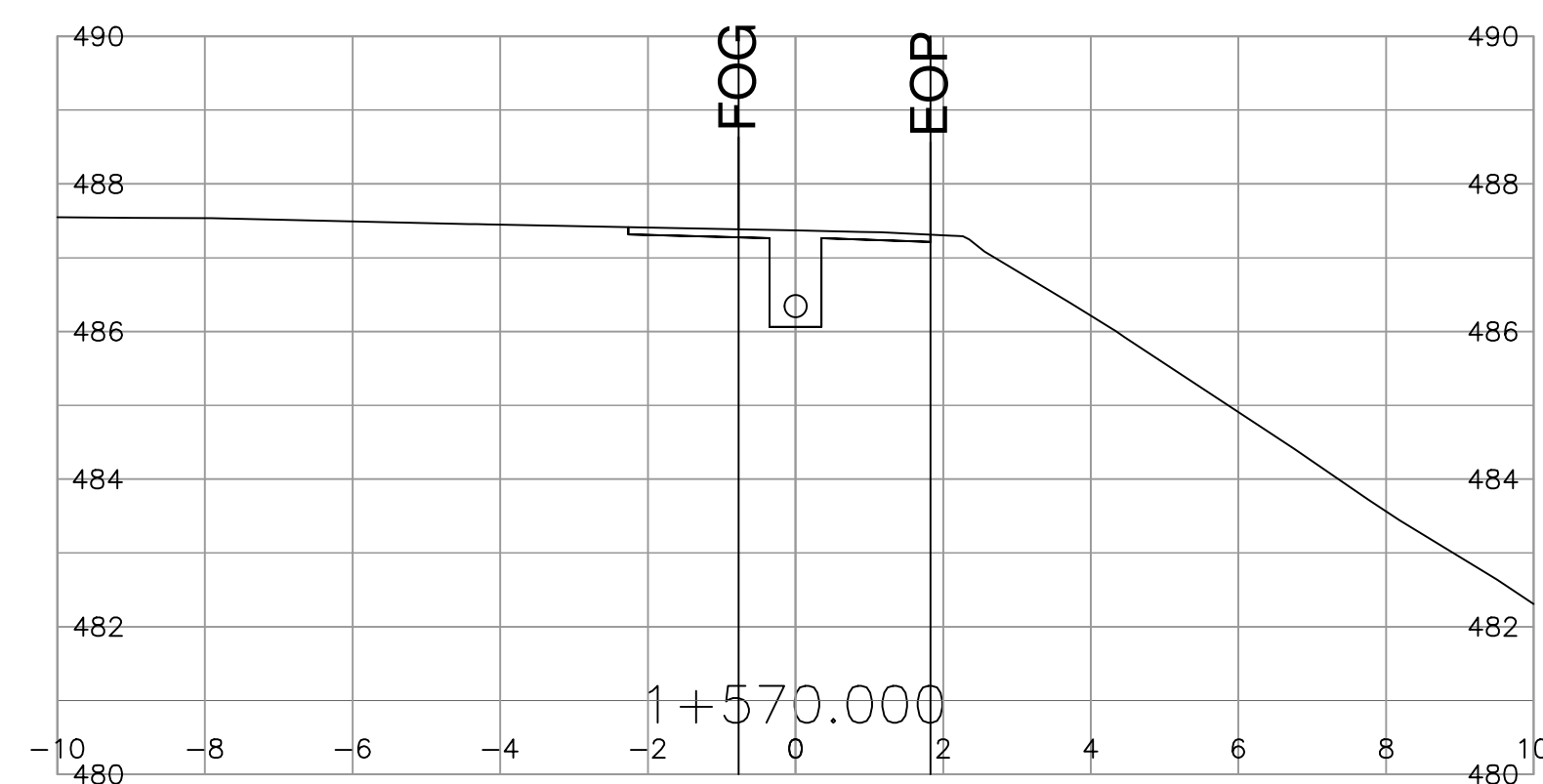
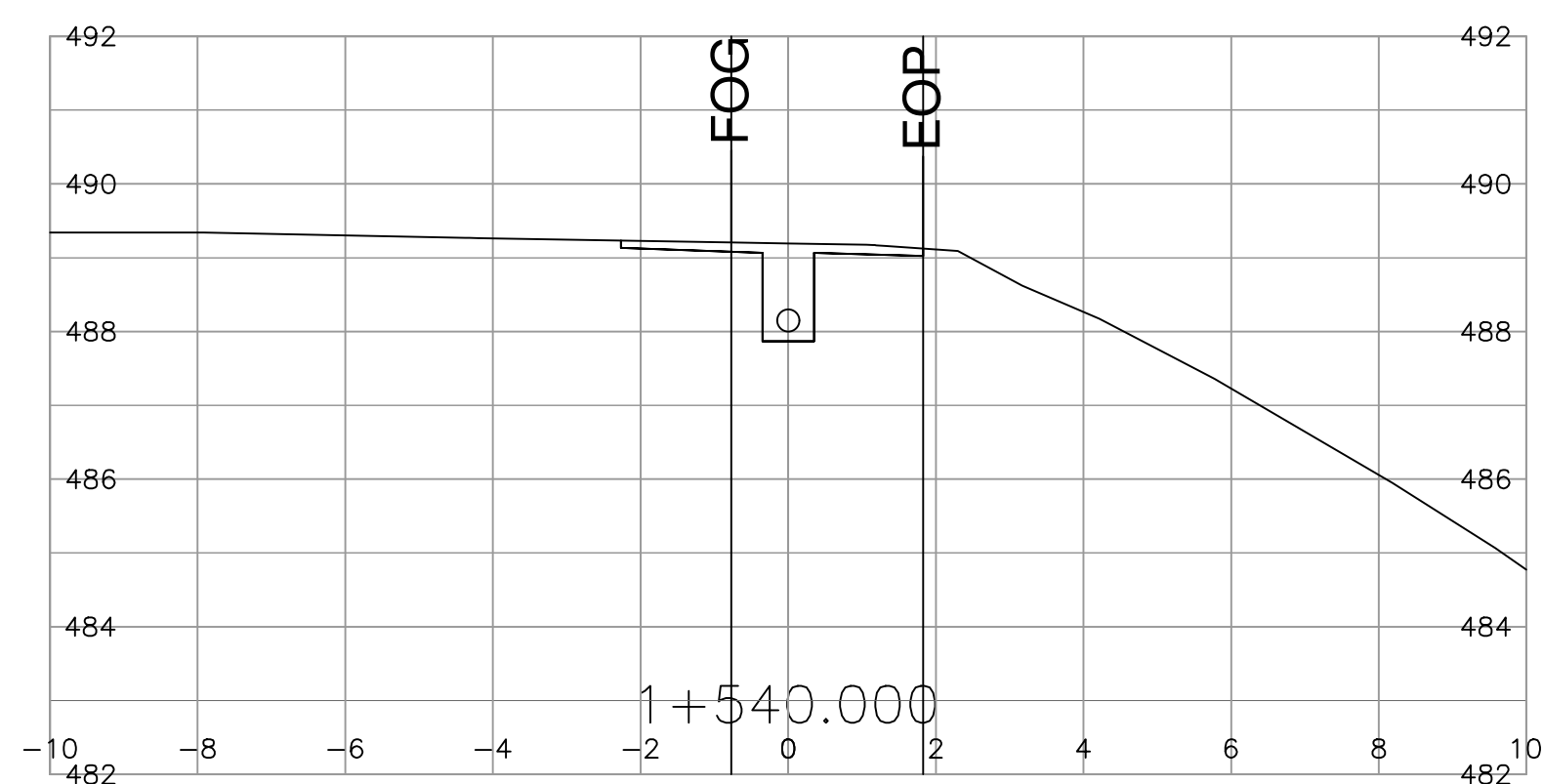
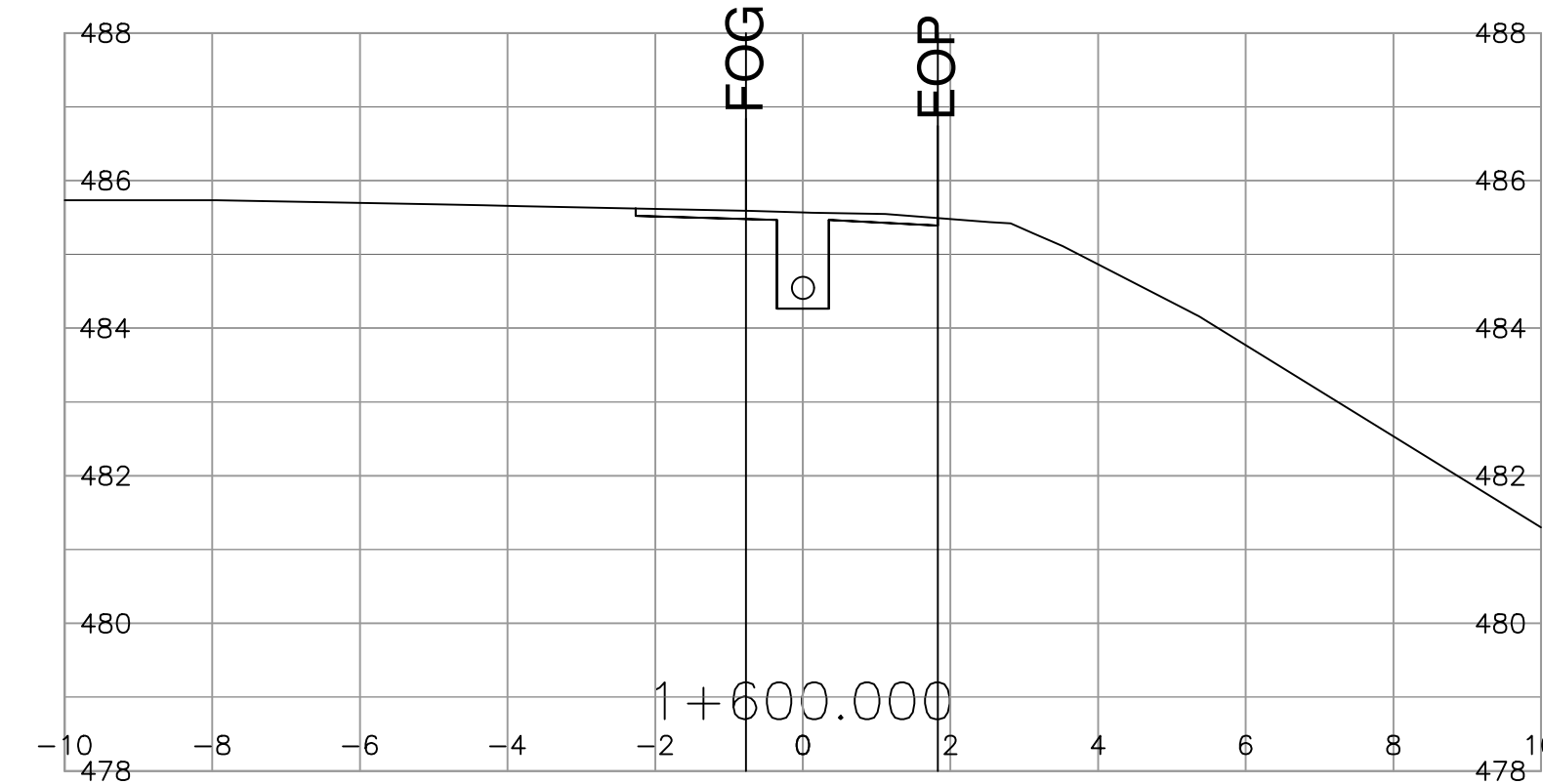
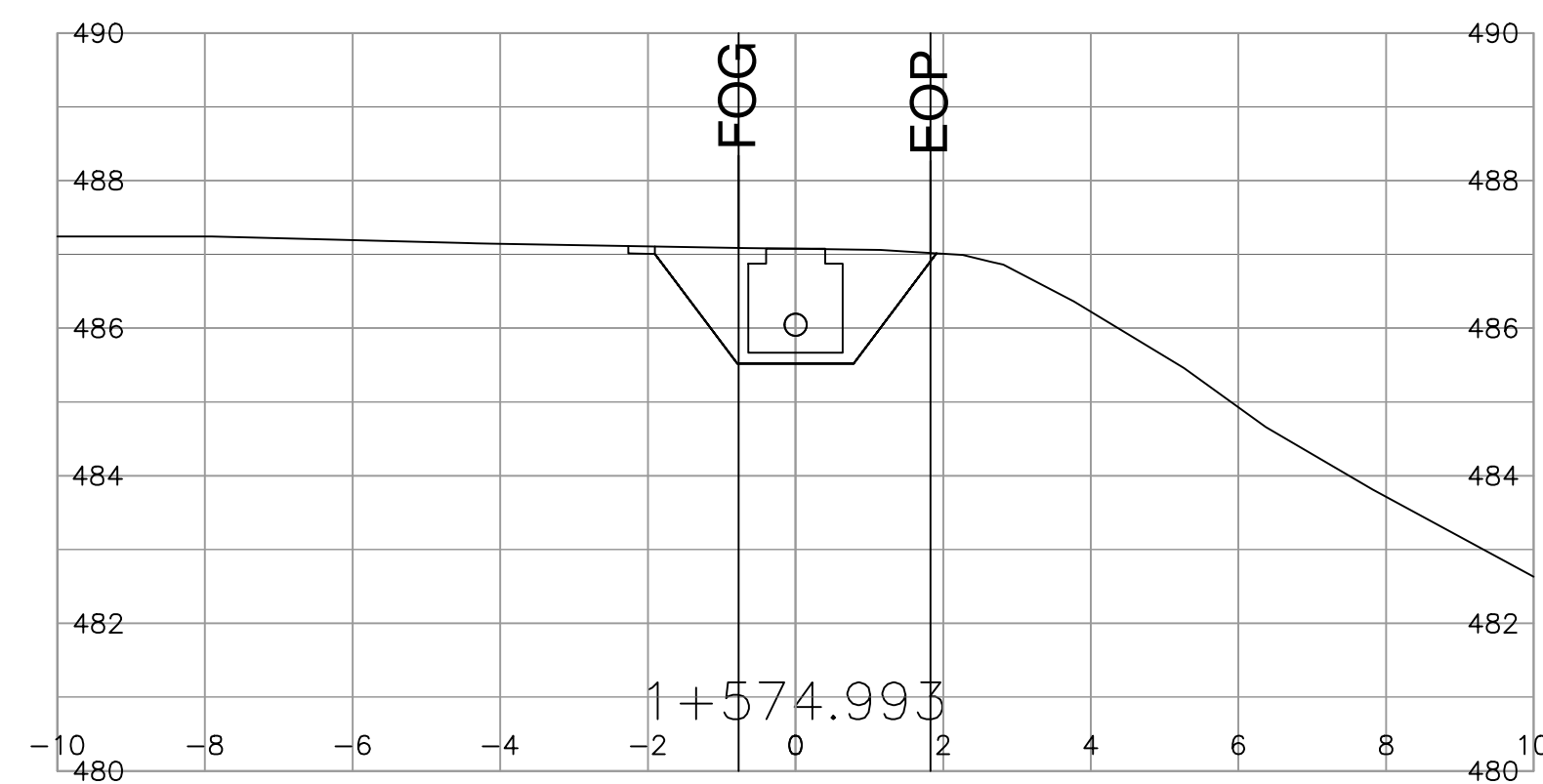
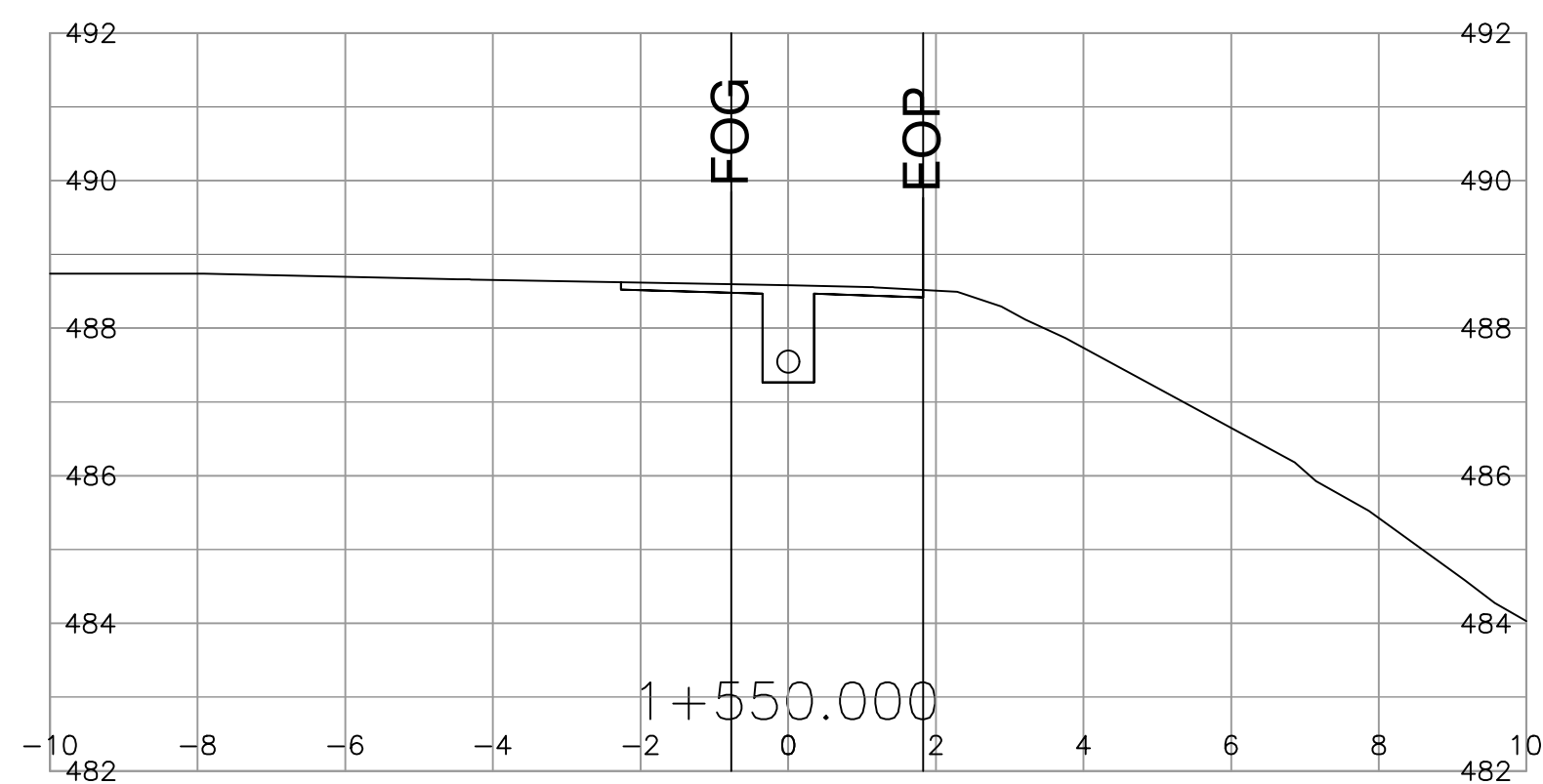
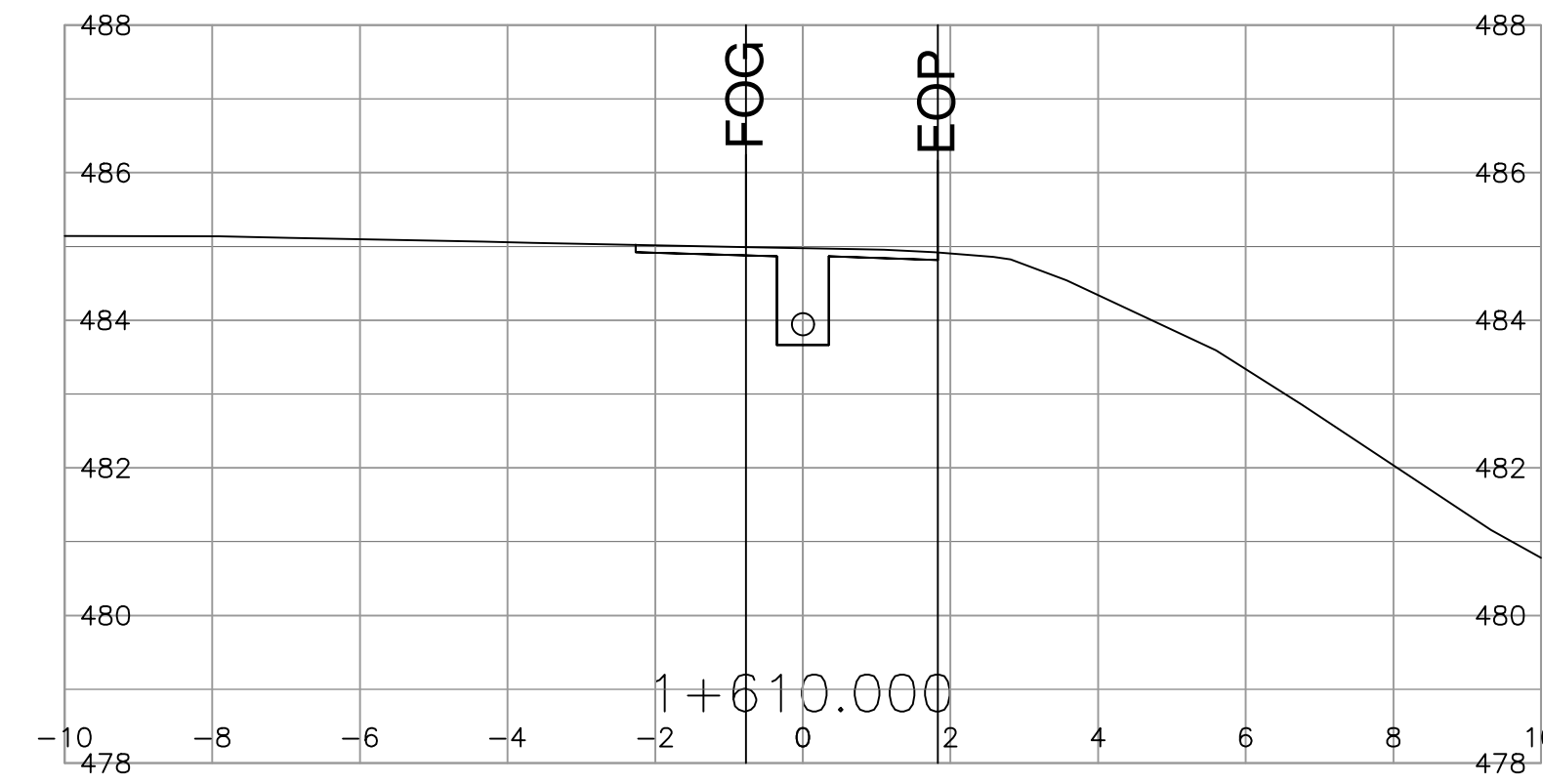
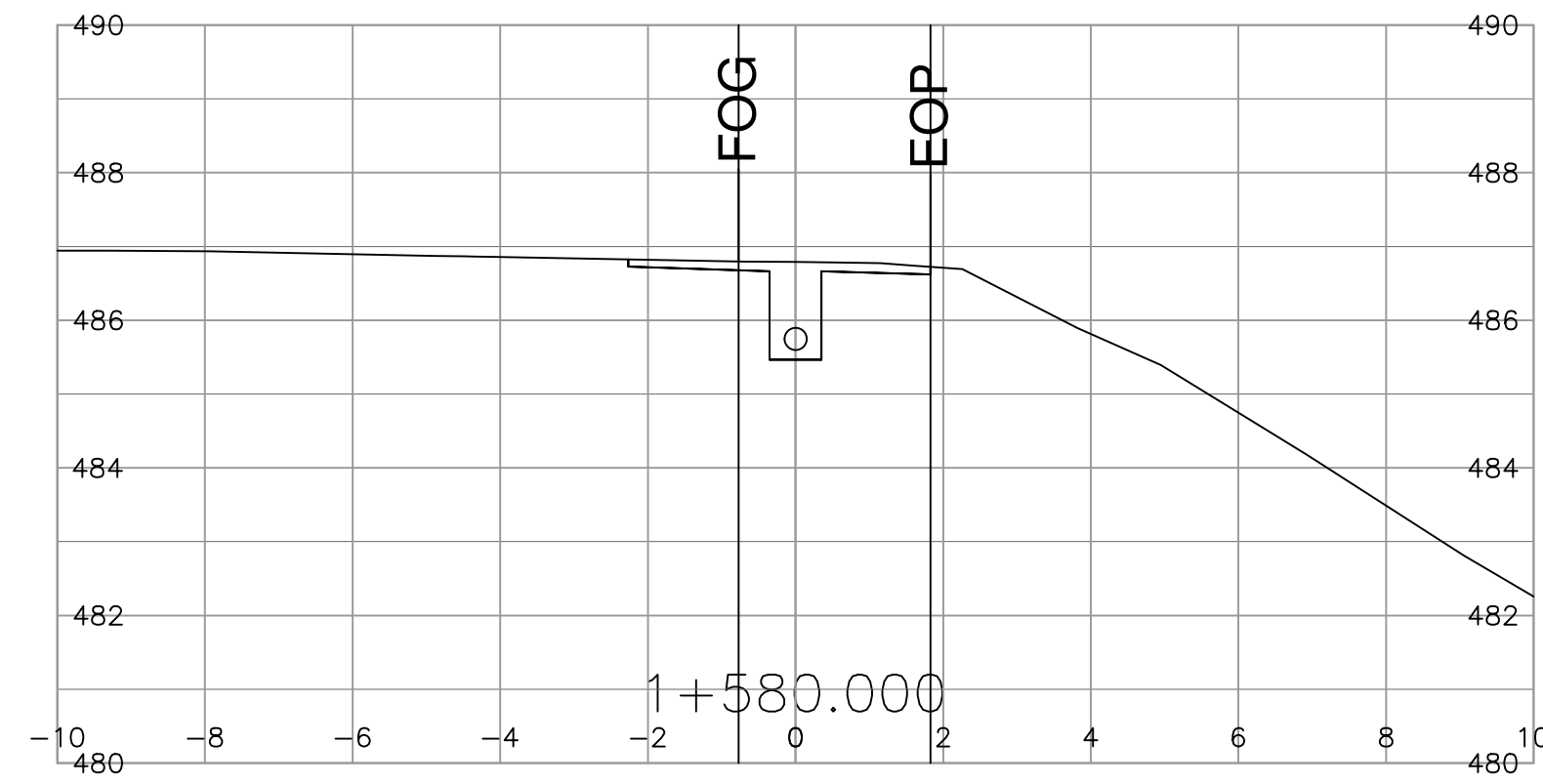
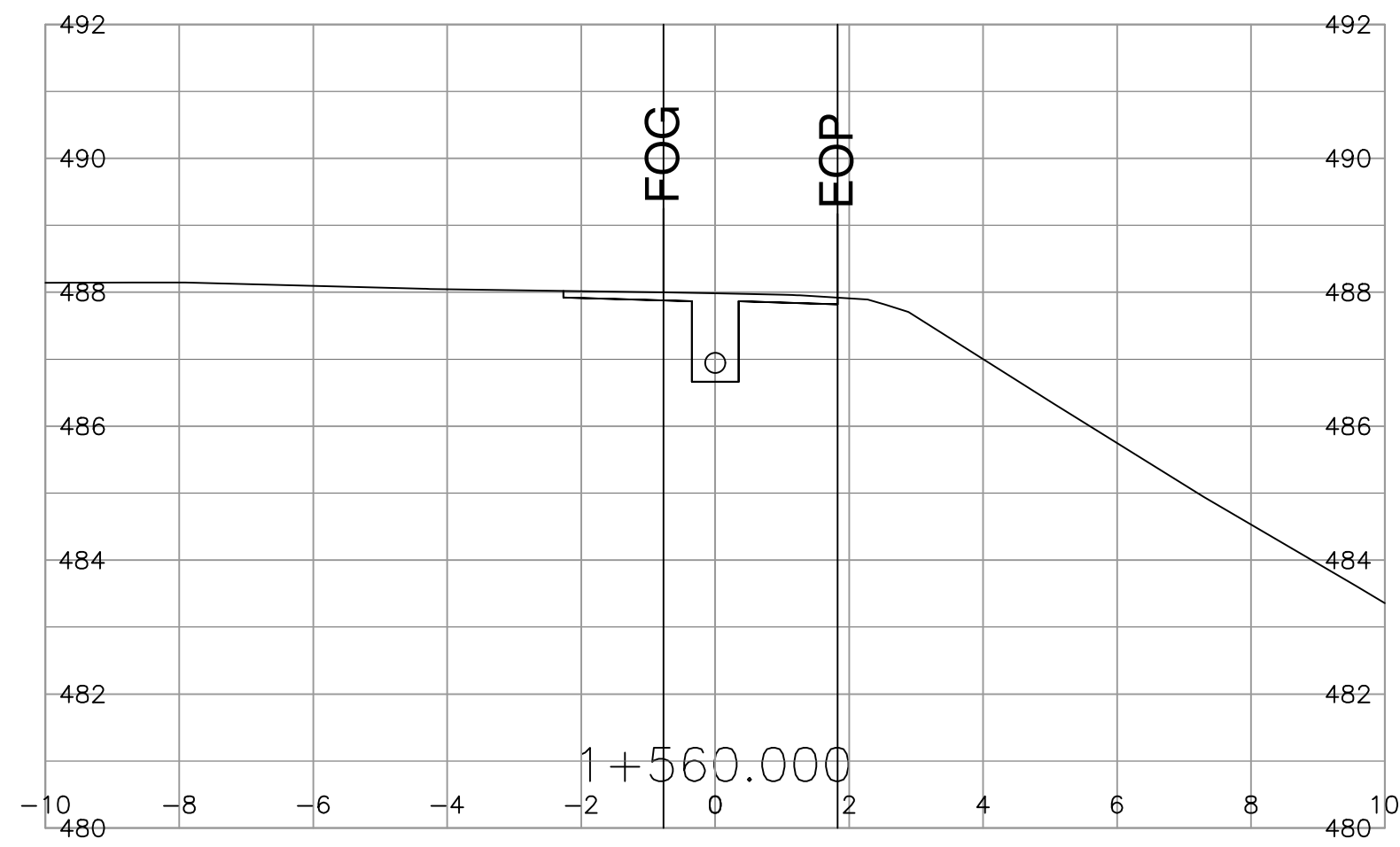


**MINISTRY OF TRANSPORTATION AND INFRASTRUCTURE**  
SOUTHERN INTERIOR REGION  
HIGHWAY ENGINEERING AND GEOMATICS

JENNA LEE P. ENG.  
SENIOR DESIGNER

DESIGNED J. LEE DATE 2018-01-11  
QUALITY CONTROL J. FITZGERALD DATE 2018-01-11  
QUALITY ASSURANCE S. KING DATE 2018-01-11  
DRAWN J. WHITE DATE 2018-01-11


SECTIONS				
HIGHWAY 97				
OYAMA DRAINAGE IMPROVEMENTS				
FILE NUMBER	PROJECT NUMBER	REG	DRAWING NUMBER	REV
2809	24191-0002	2	R2-1015-1006	



SCALE 0 1 1:100 5m

CAD FILENAME R2-1015-1001-1033  
PLOT DATE 1/11/2018

REV	DATE	REVISIONS	NAME



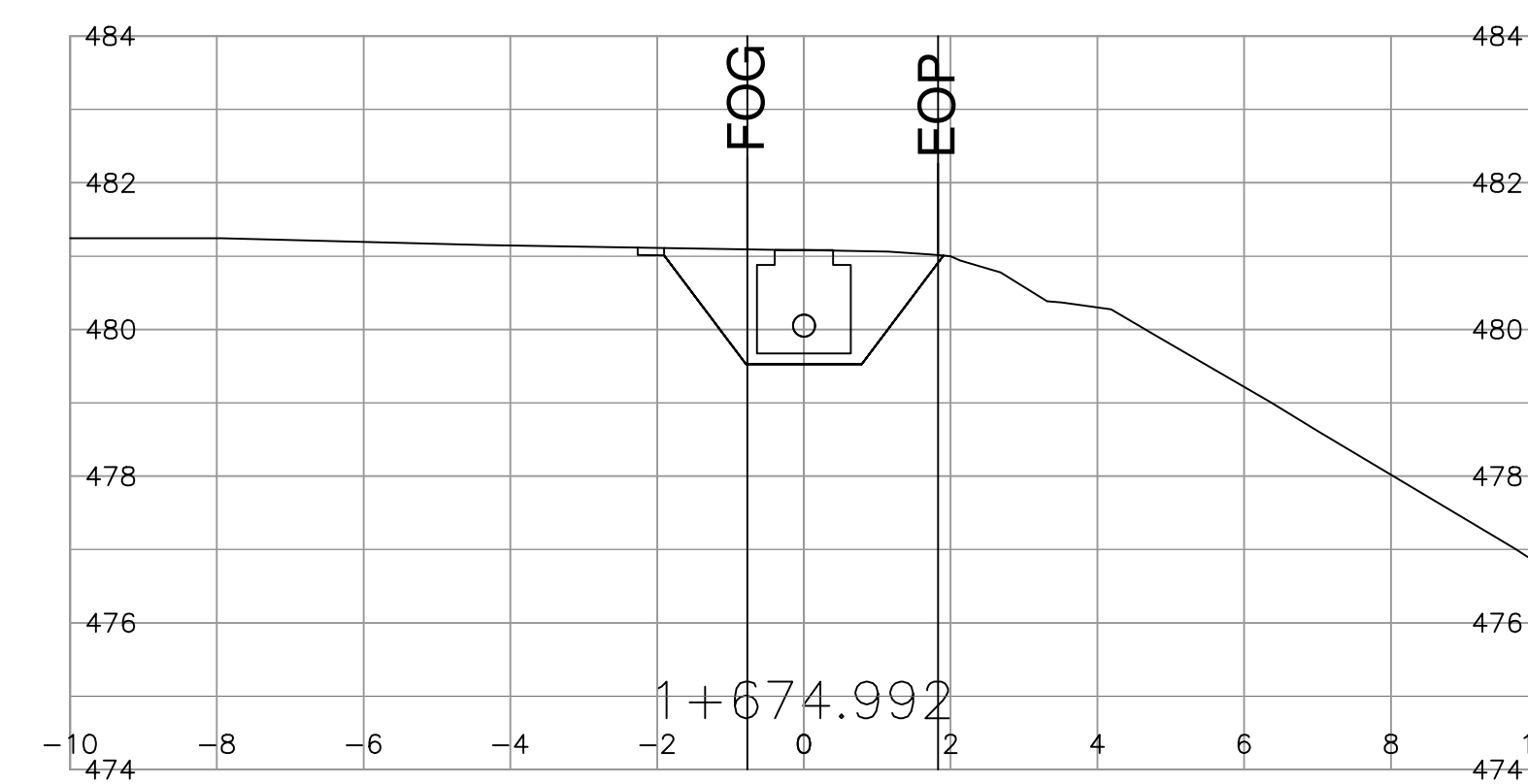
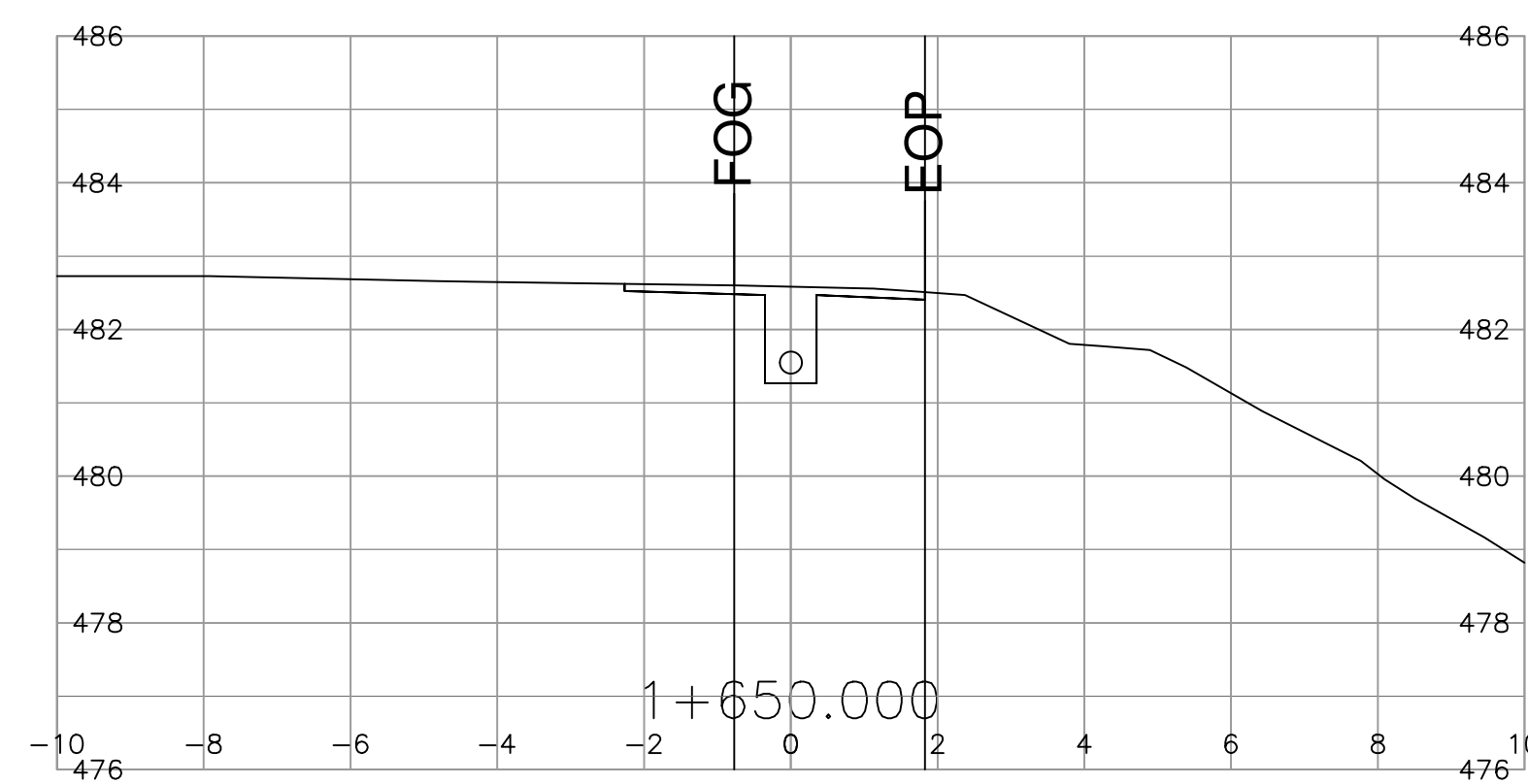
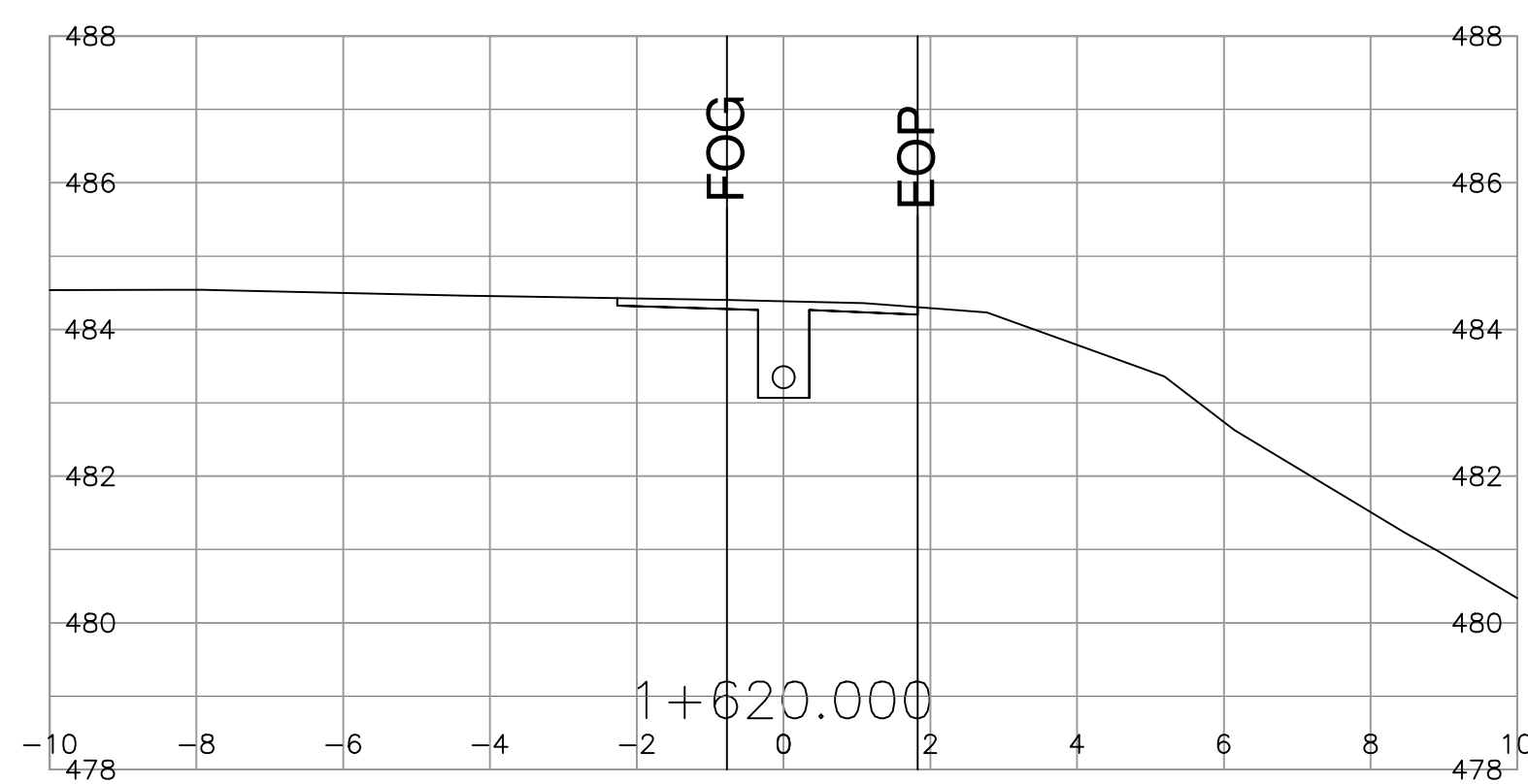
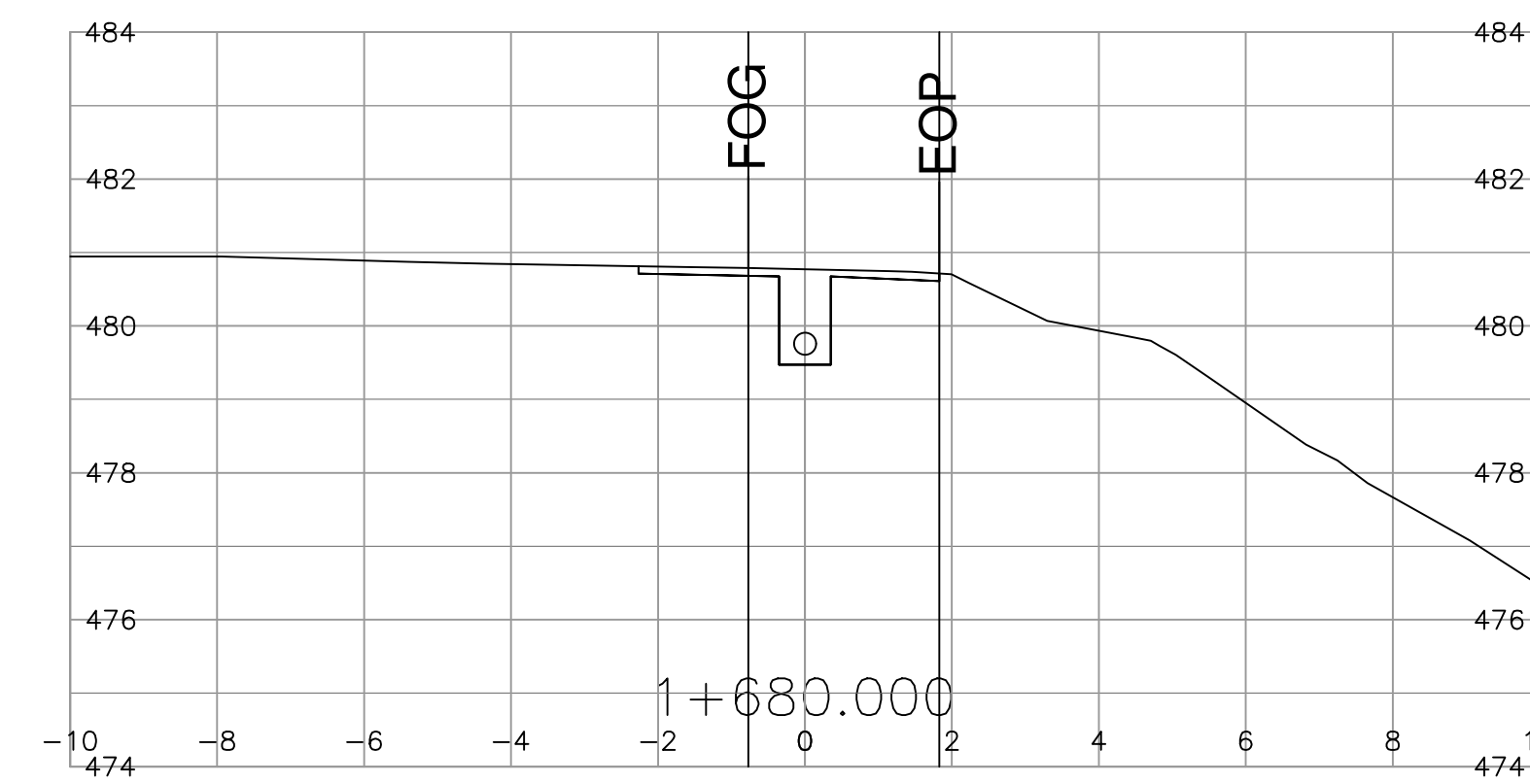
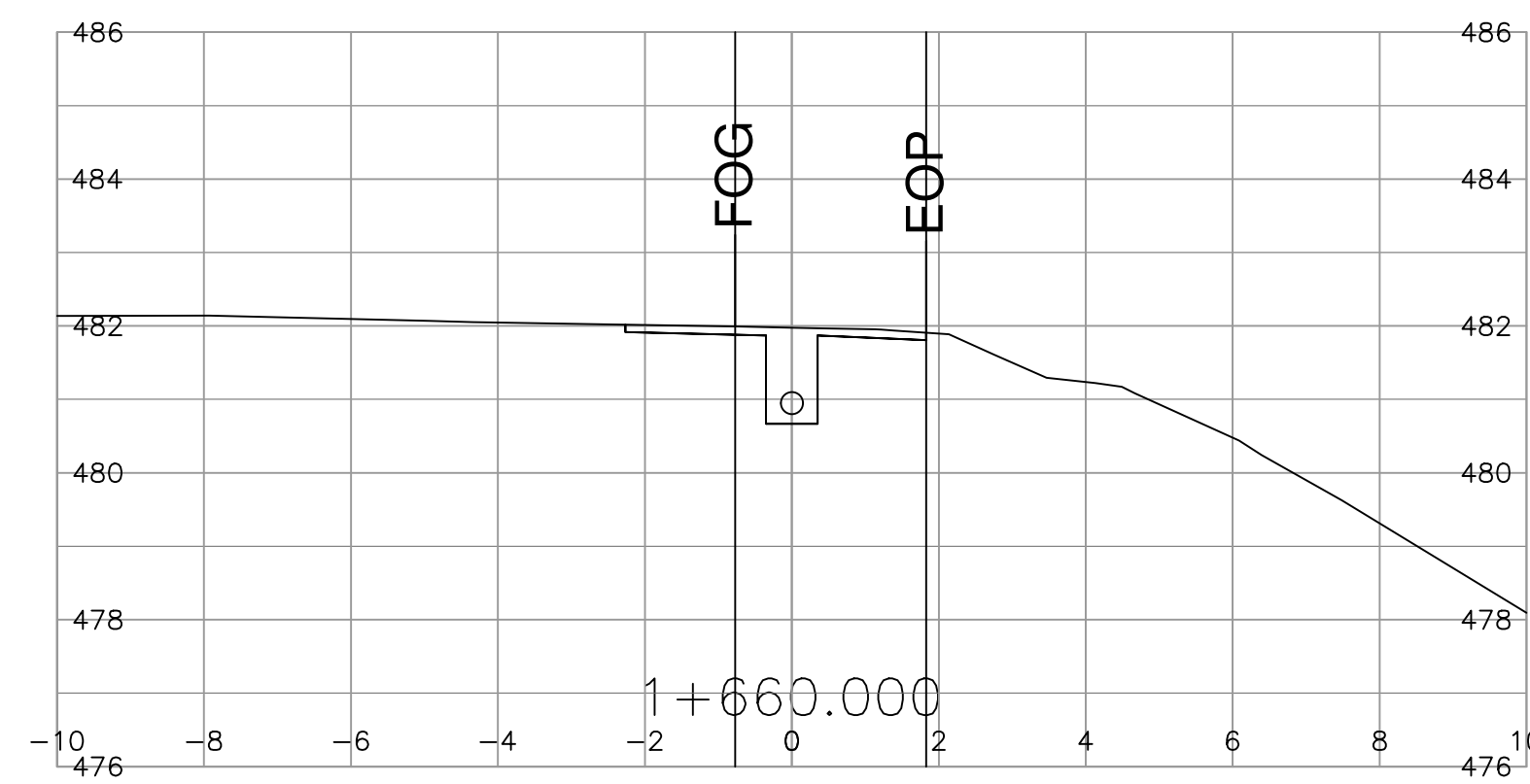
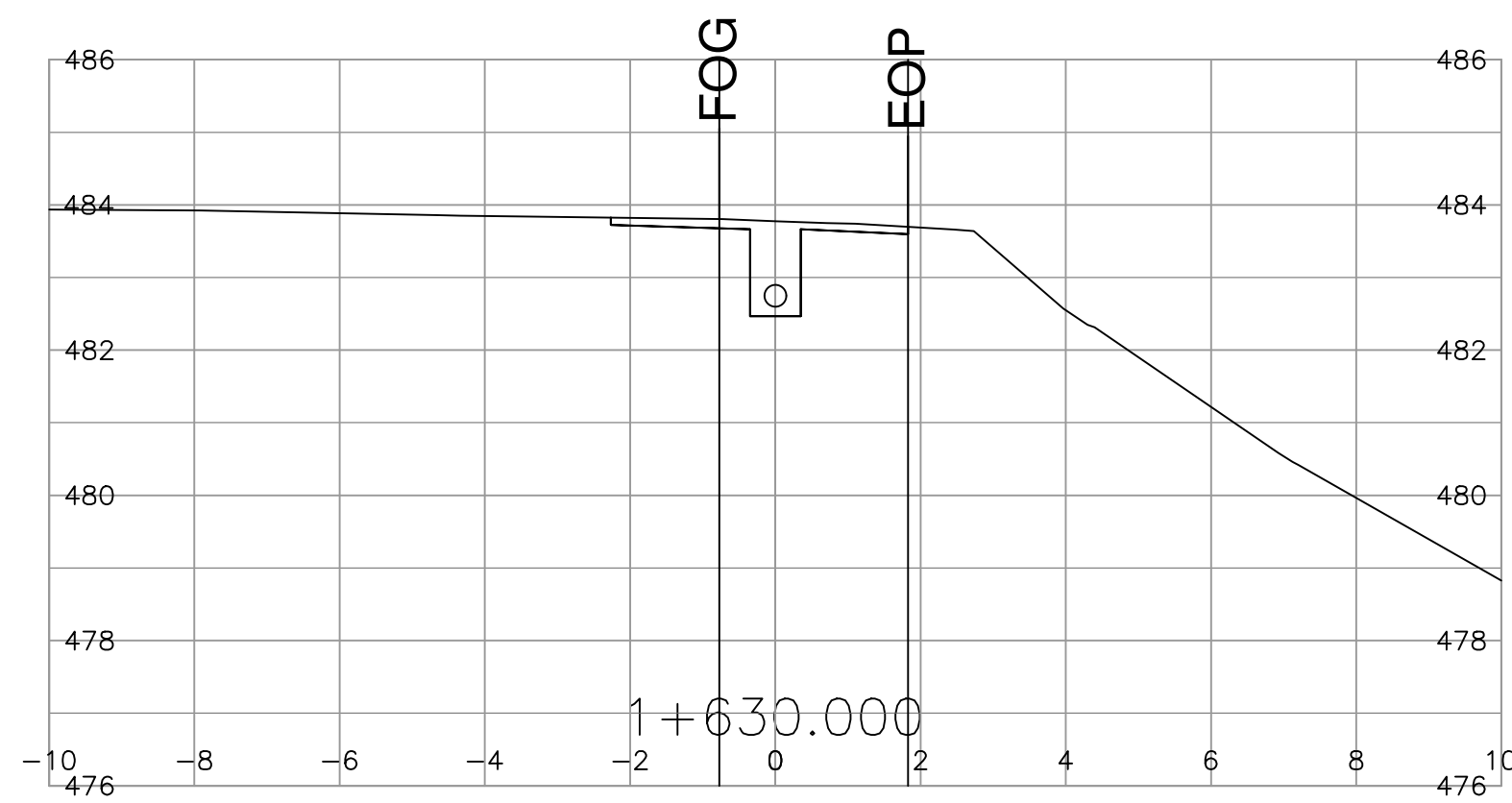
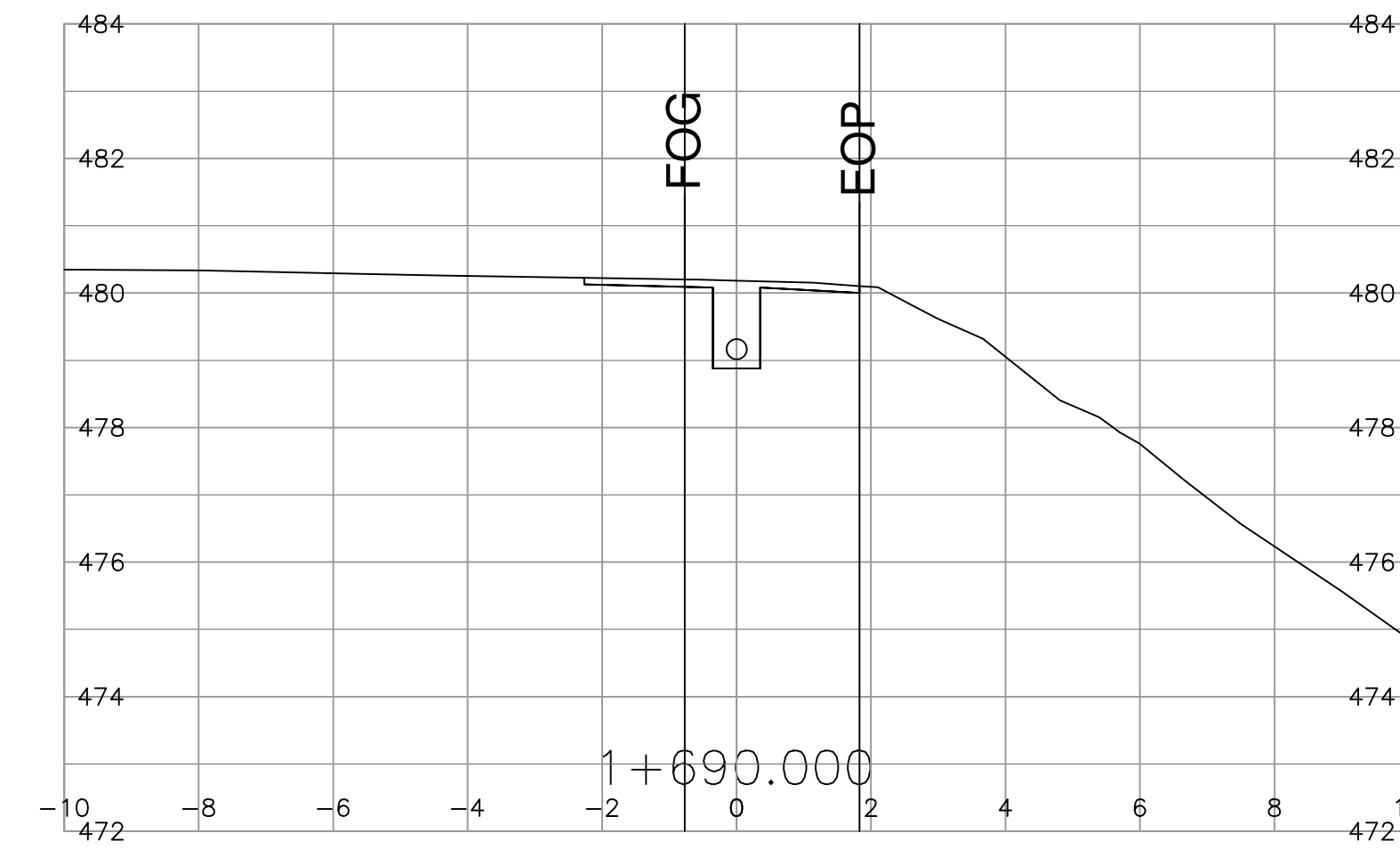
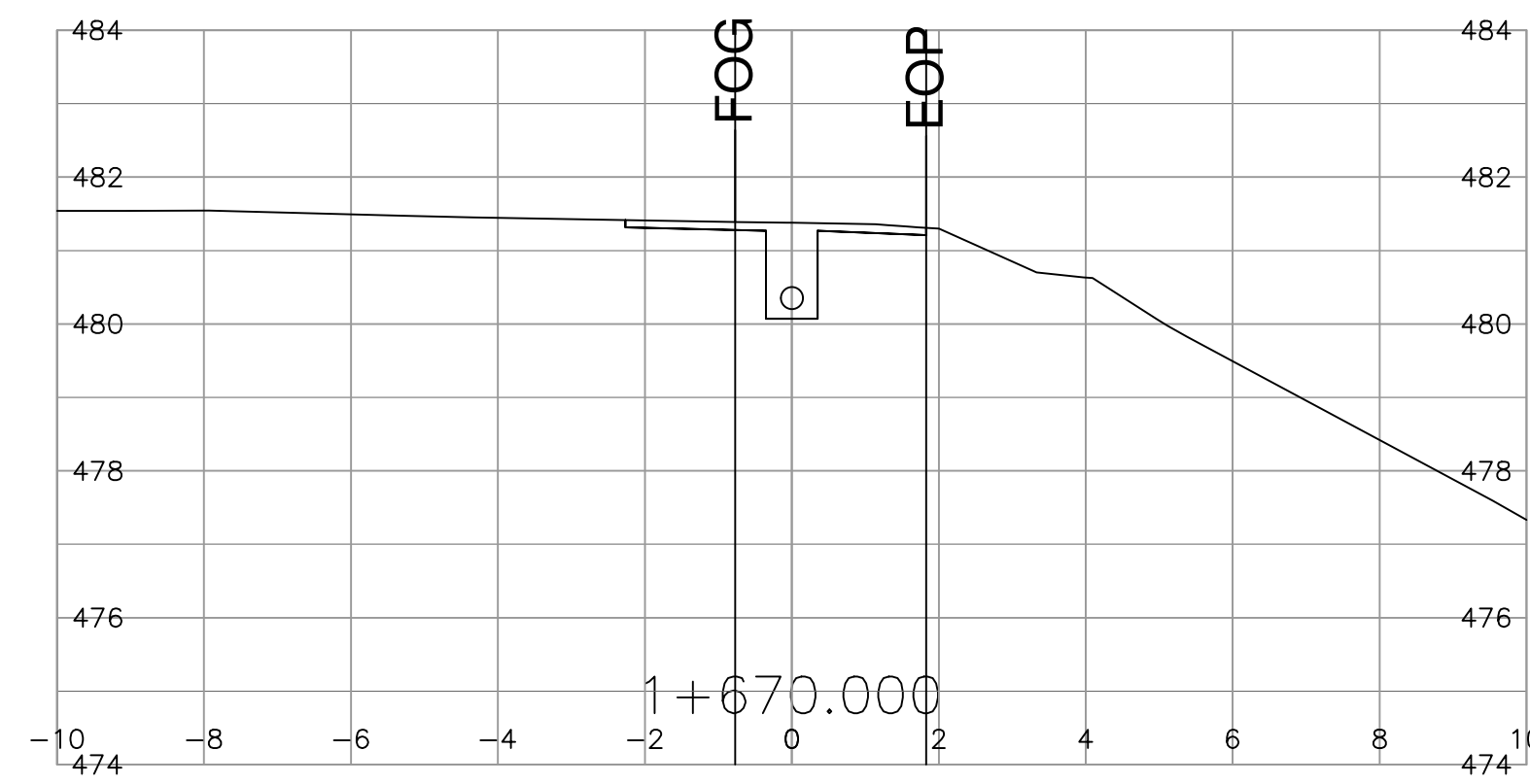
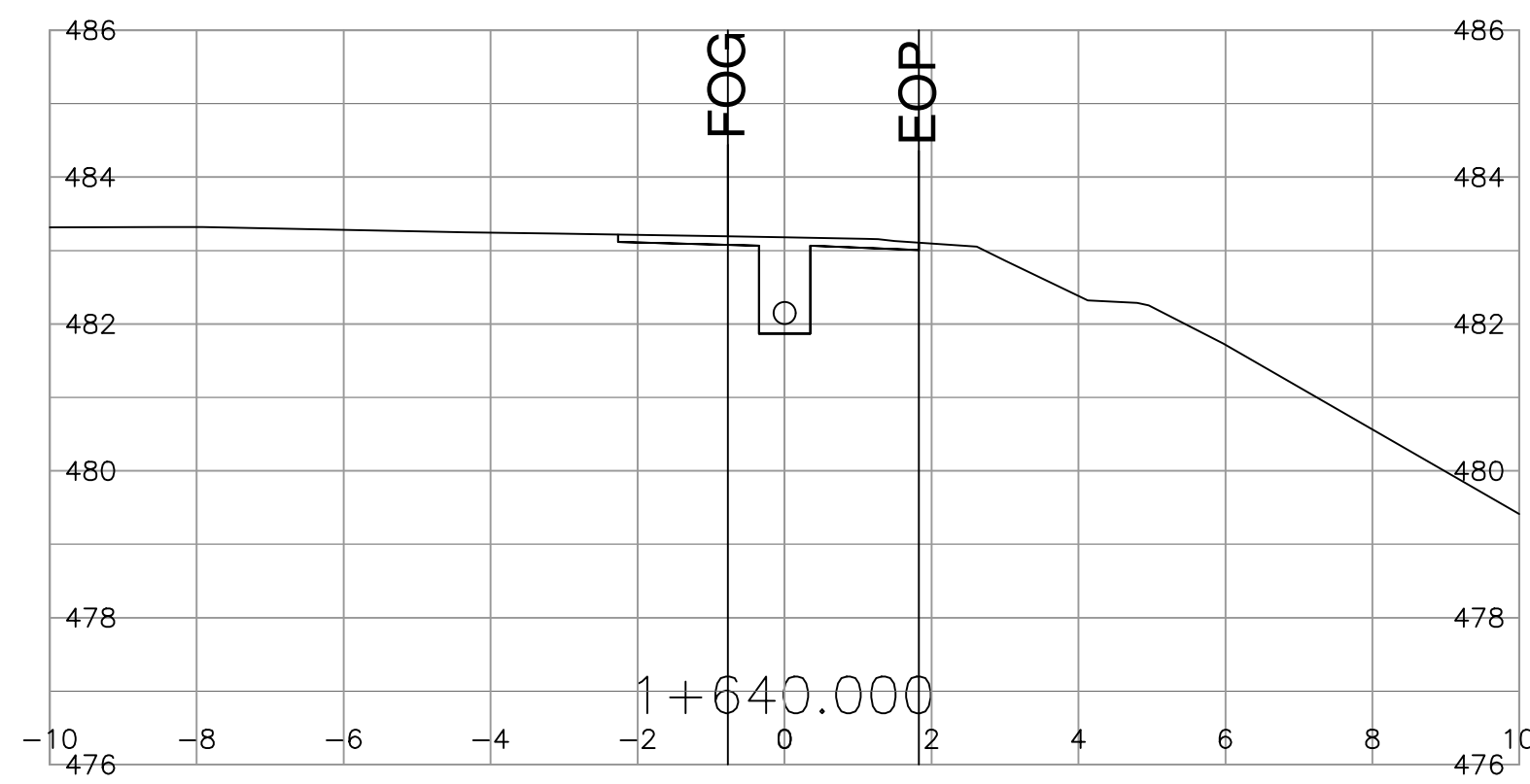
MINISTRY OF TRANSPORTATION AND INFRASTRUCTURE  
SOUTHERN INTERIOR REGION  
HIGHWAY ENGINEERING AND GEOMATICS

JENNA LEE P. ENG.  
SENIOR DESIGNER

DESIGNED J. LEE DATE 2018-01-11  
QUALITY CONTROL J. FITZGERALD DATE 2018-01-11  
QUALITY ASSURANCE S. KING DATE 2018-01-11  
DRAWN J. WHITE DATE 2018-01-11

SECTIONS  
HIGHWAY 97  
OYAMA DRAINAGE IMPROVEMENTS


FILE NUMBER 2809	PROJECT NUMBER 24191-0002	REG 2	DRAWING NUMBER R2-1015-1007	REV
---------------------	------------------------------	----------	--------------------------------	-----



SCALE 0 1 1:100 5m

CAD FILENAME R2-1015-1001-1033  
PLOT DATE 1/11/2018

REV	DATE	REVISIONS	NAME



MINISTRY OF TRANSPORTATION AND INFRASTRUCTURE  
SOUTHERN INTERIOR REGION  
HIGHWAY ENGINEERING AND GEOMATICS

JENNA LEE P. ENG.  
SENIOR DESIGNER

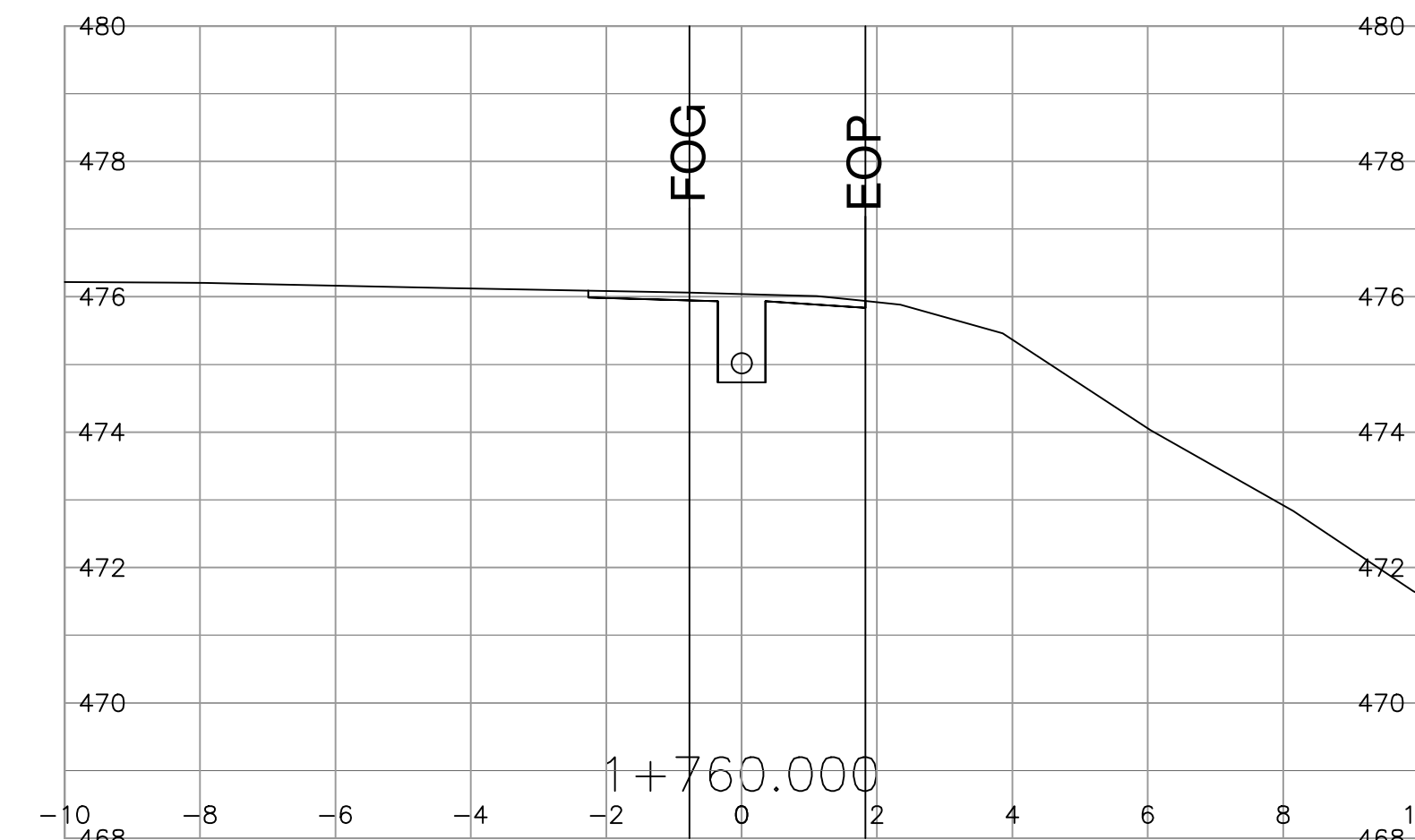
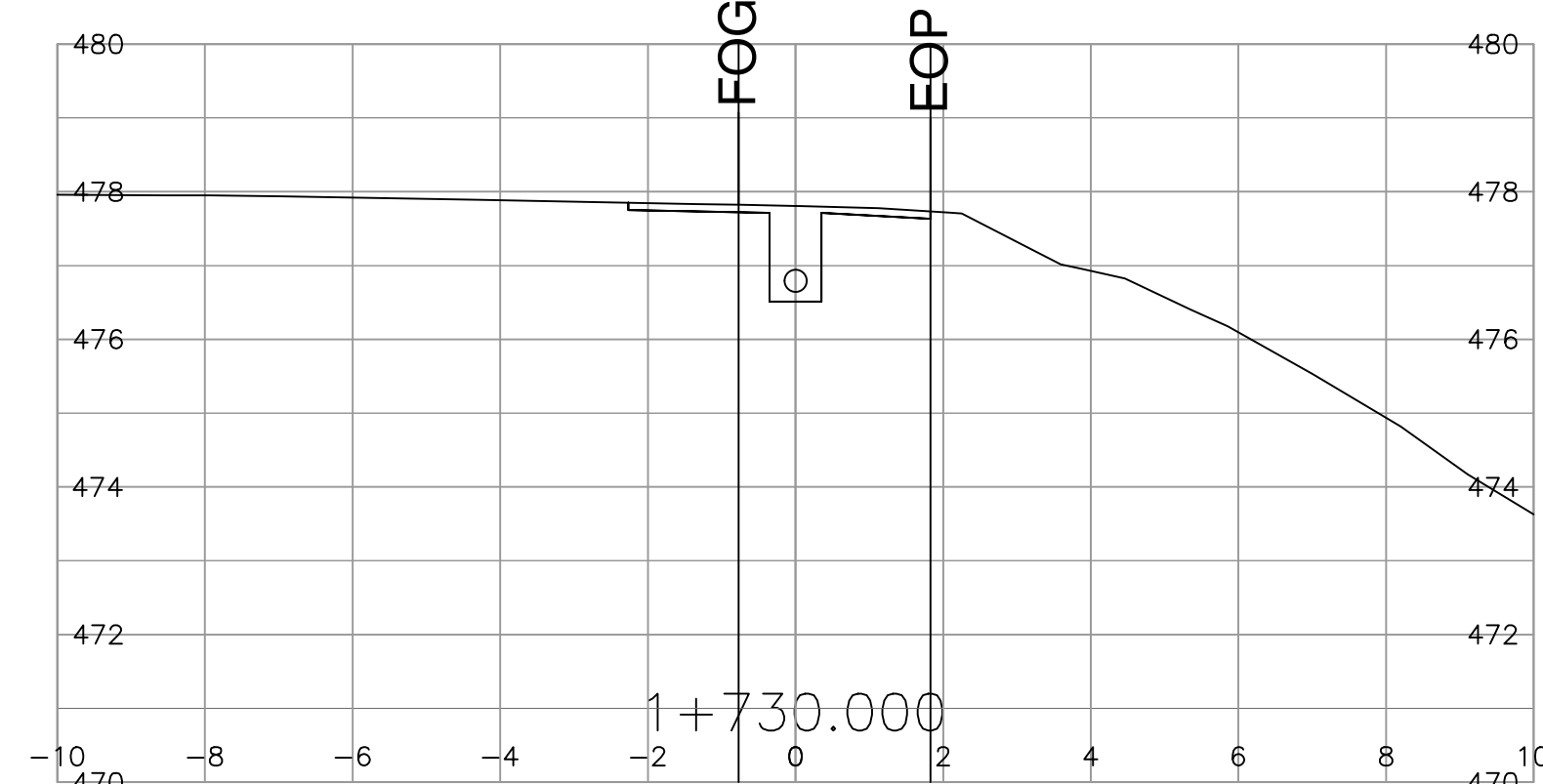
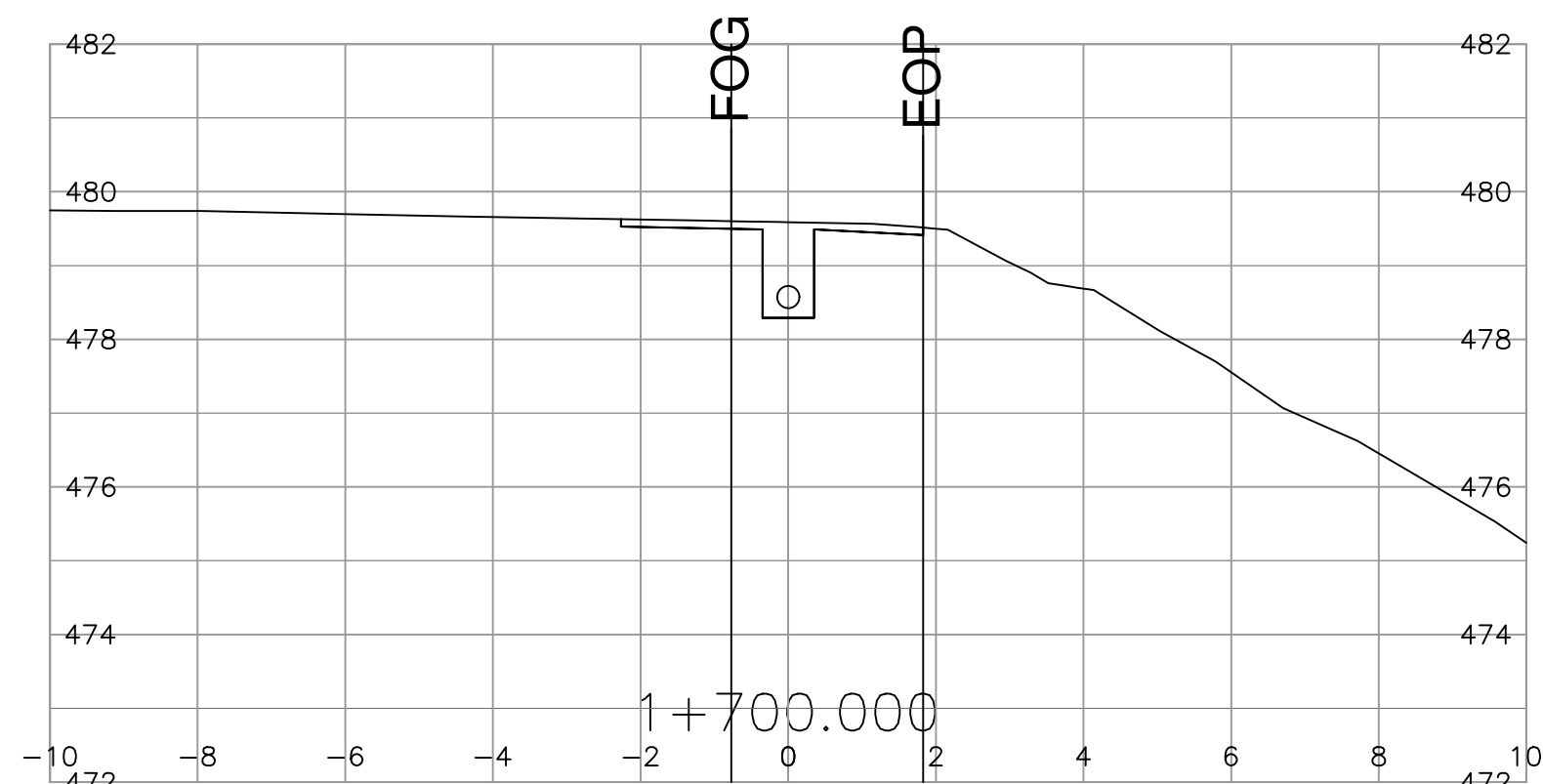
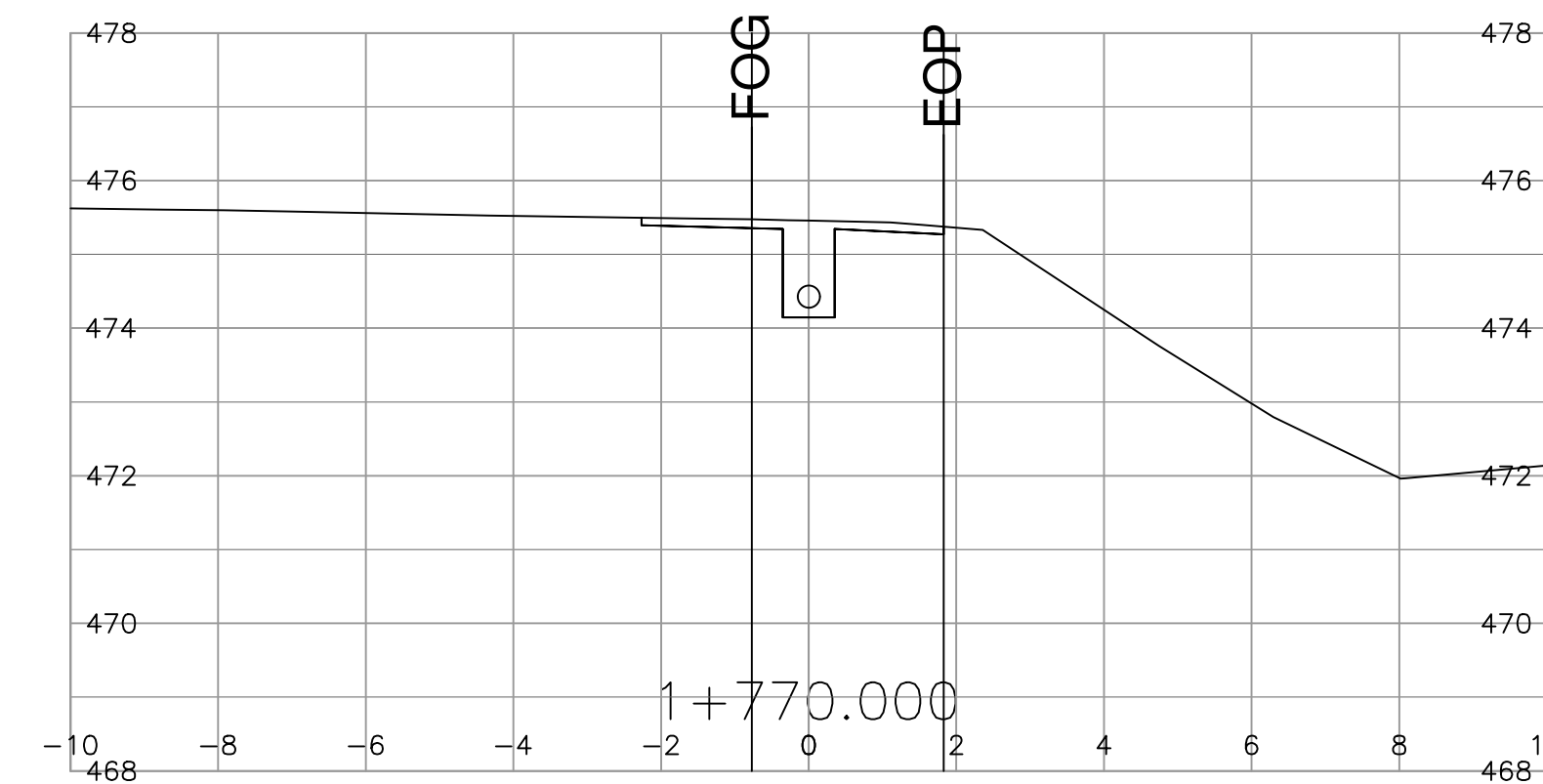
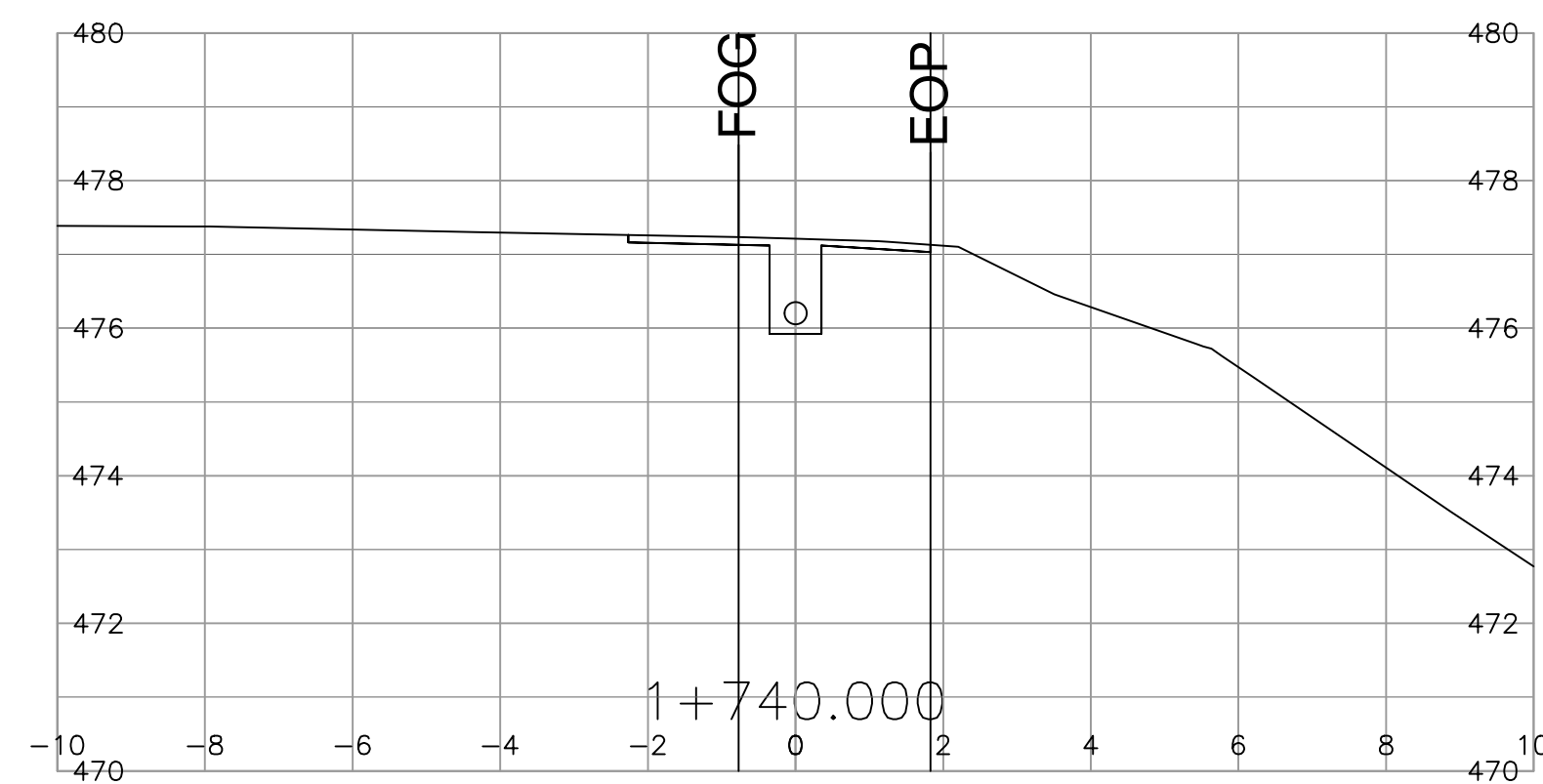
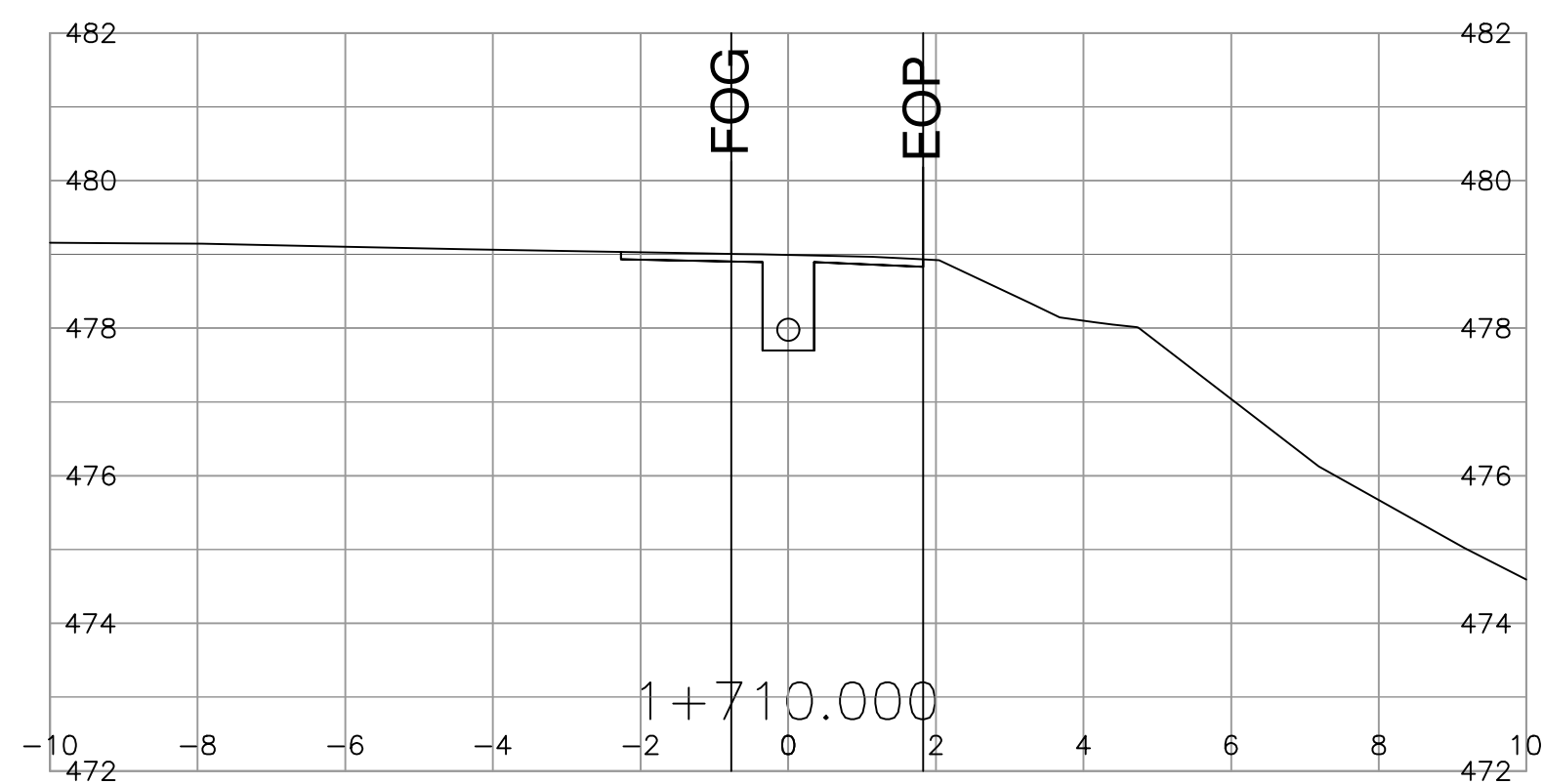
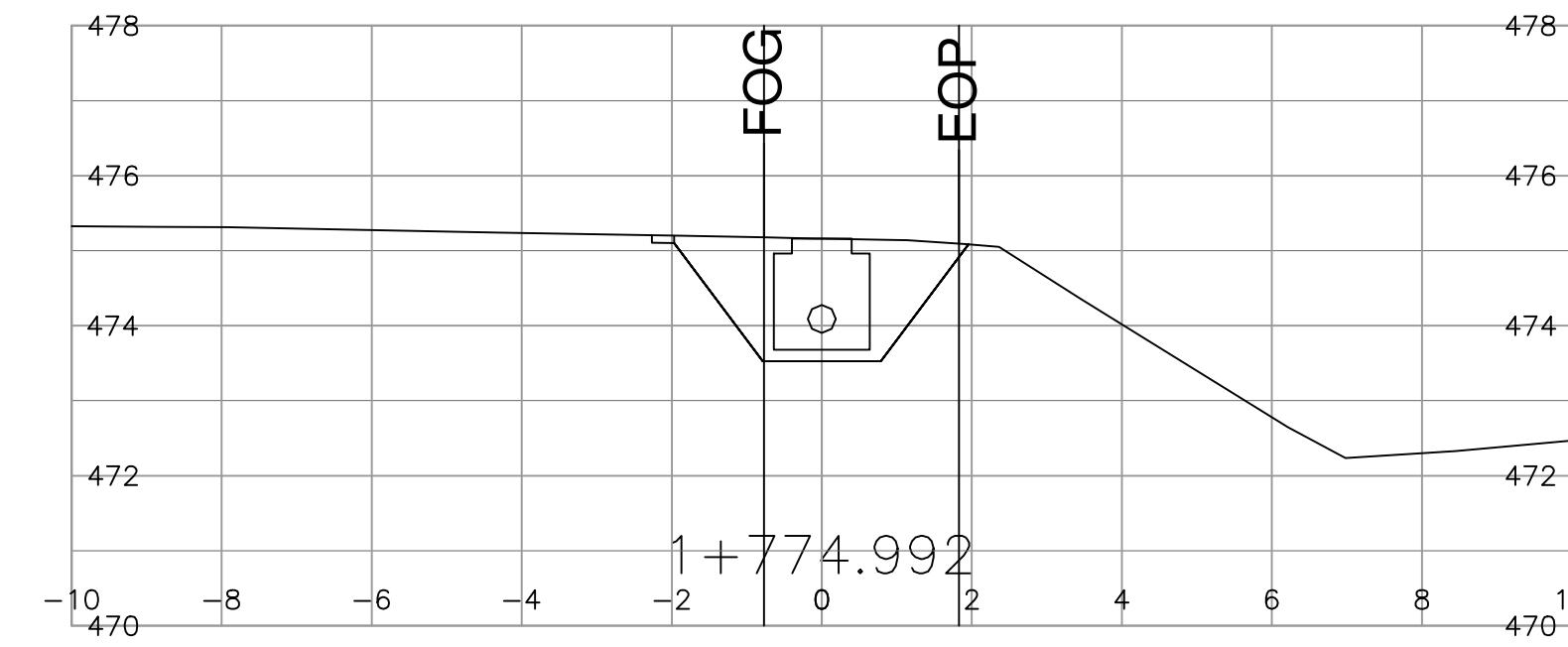
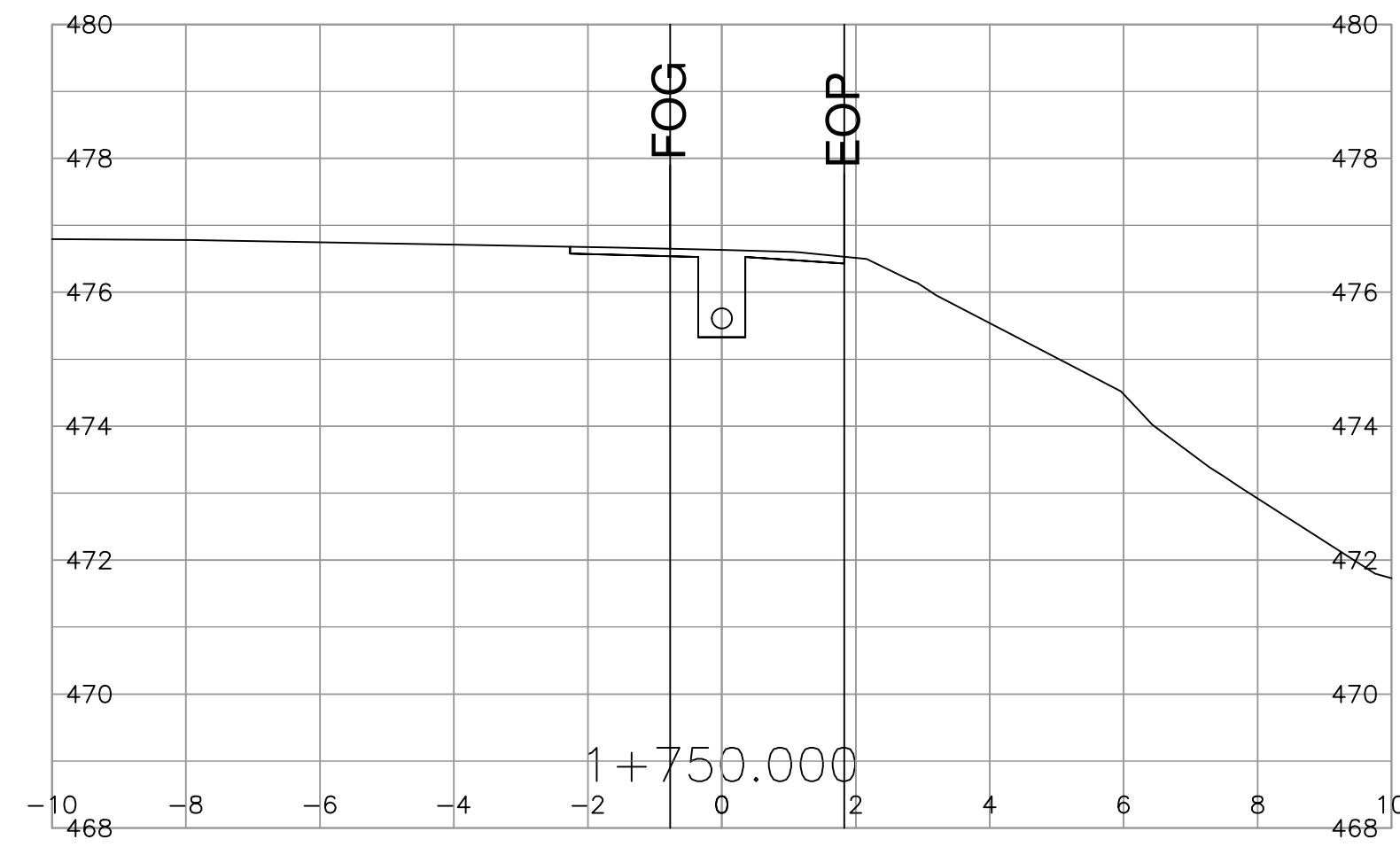
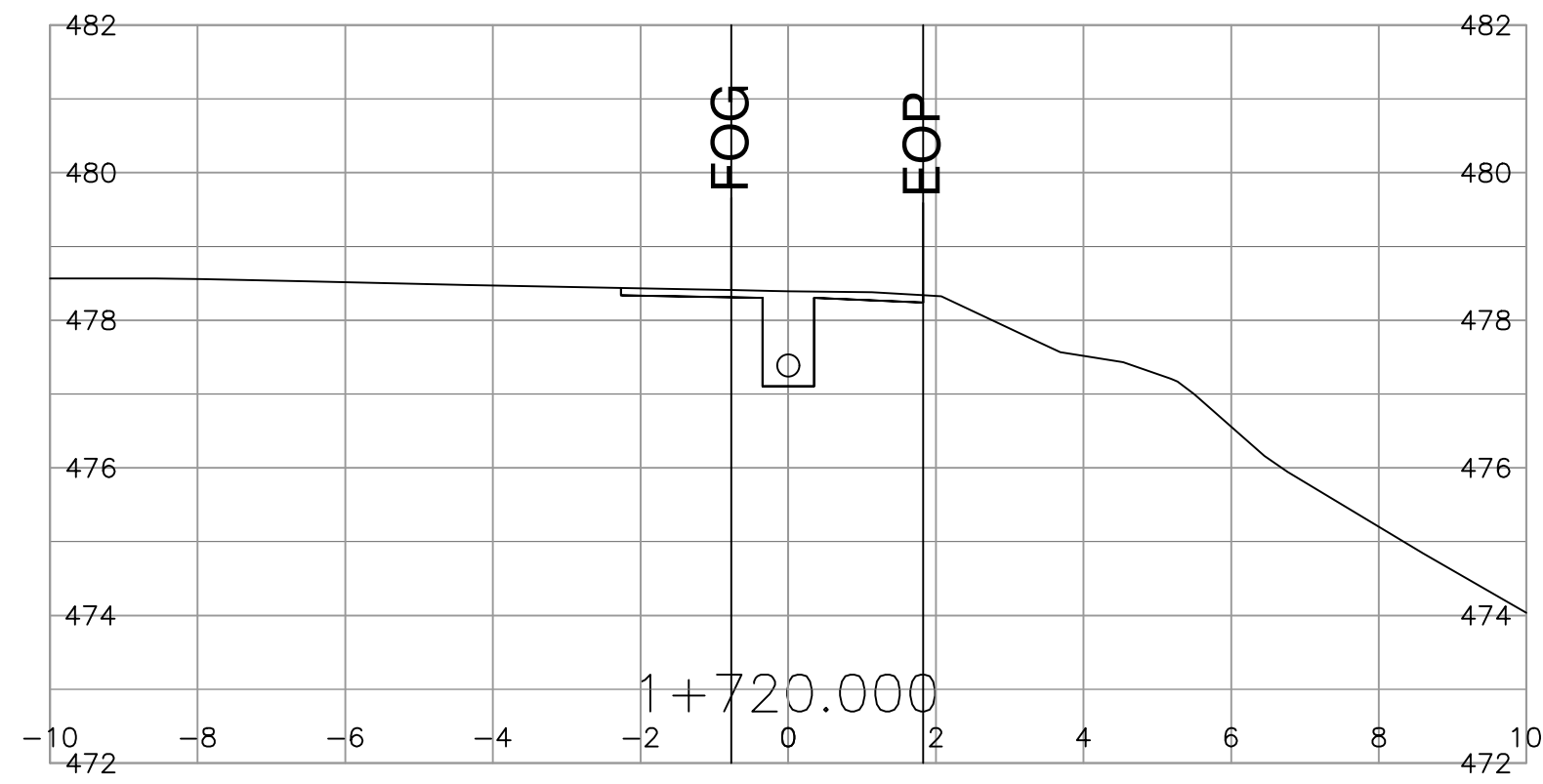
DESIGNED J. LEE DATE 2018-01-11  
QUALITY CONTROL J. FITZGERALD DATE 2018-01-11  
QUALITY ASSURANCE S. KING DATE 2018-01-11  
DRAWN J. WHITE DATE 2018-01-11

DATE 2018-01-11

SECTIONS  
HIGHWAY 97  
OYAMA DRAINAGE IMPROVEMENTS

FILE NUMBER 2809	PROJECT NUMBER 24191-0002	REG 2	DRAWING NUMBER R2-1015-1008	REV
---------------------	------------------------------	----------	--------------------------------	-----






SCALE 0 1 1:100 5m

CAD FILENAME R2-1015-1001-1033

PLOT DATE 1/11/2018

REV	DATE	REVISIONS	NAME



**BRITISH COLUMBIA**

MINISTRY OF TRANSPORTATION AND INFRASTRUCTURE  
SOUTHERN INTERIOR REGION  
HIGHWAY ENGINEERING AND GEOMATICS

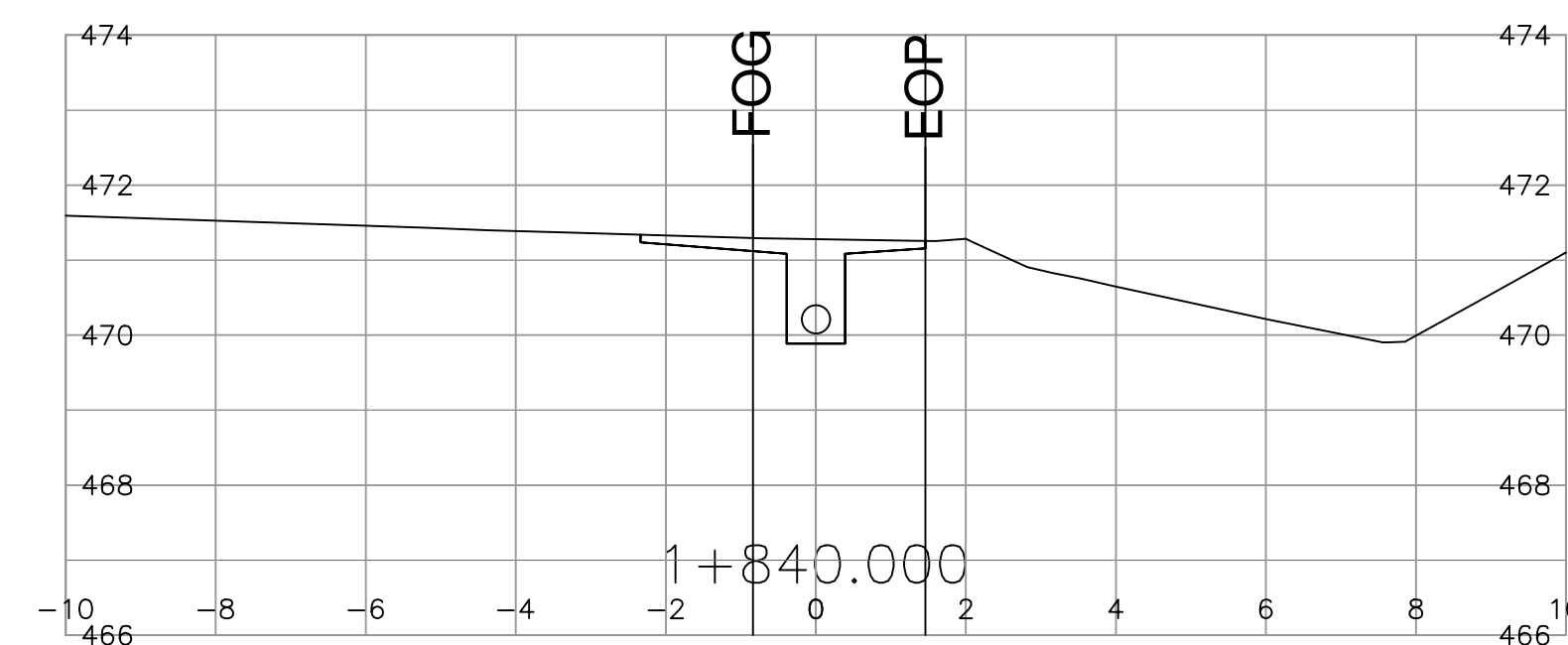
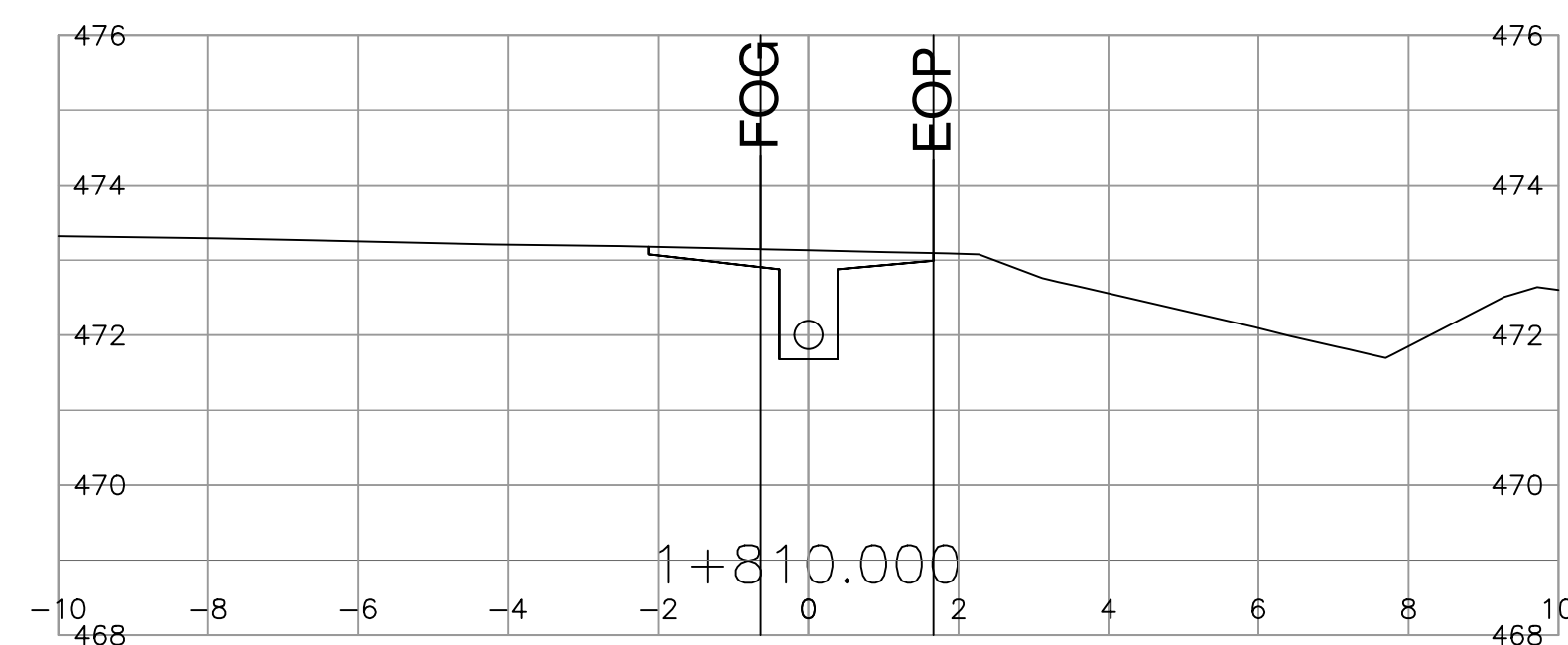
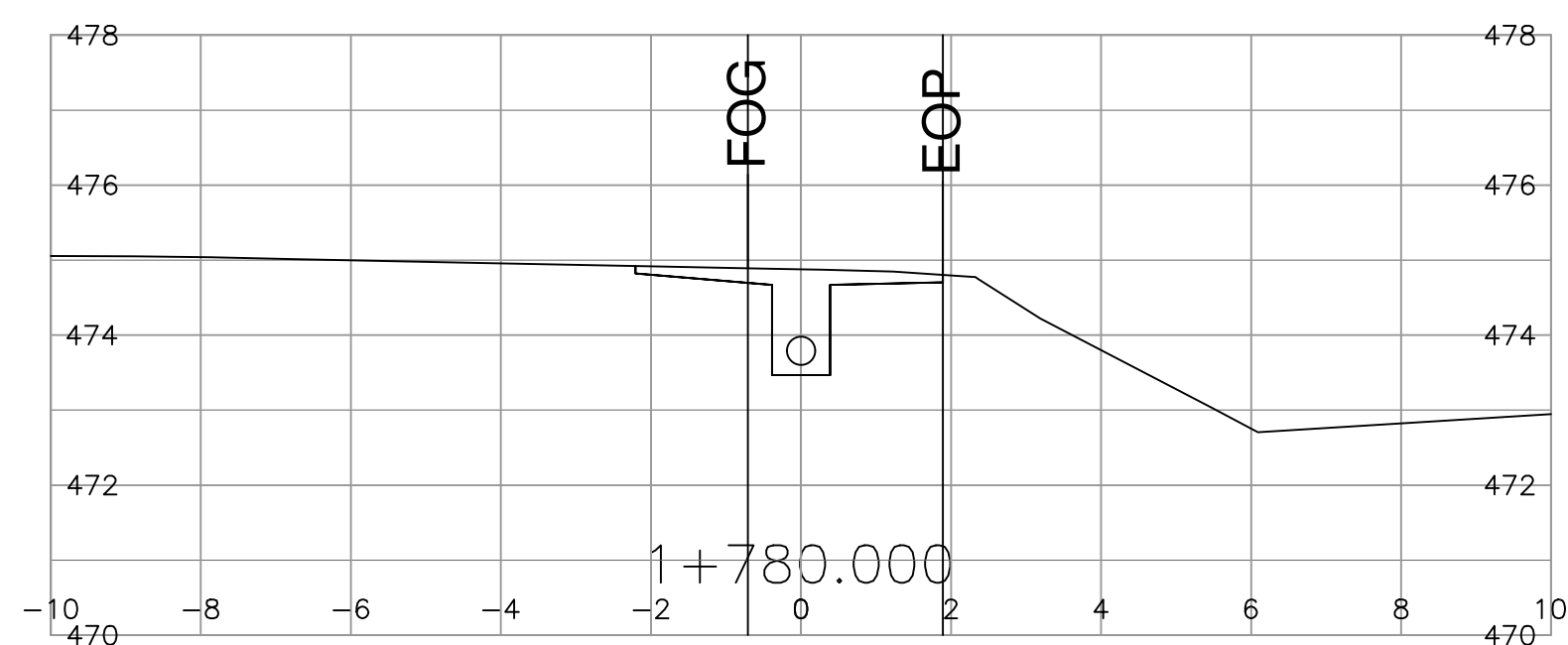
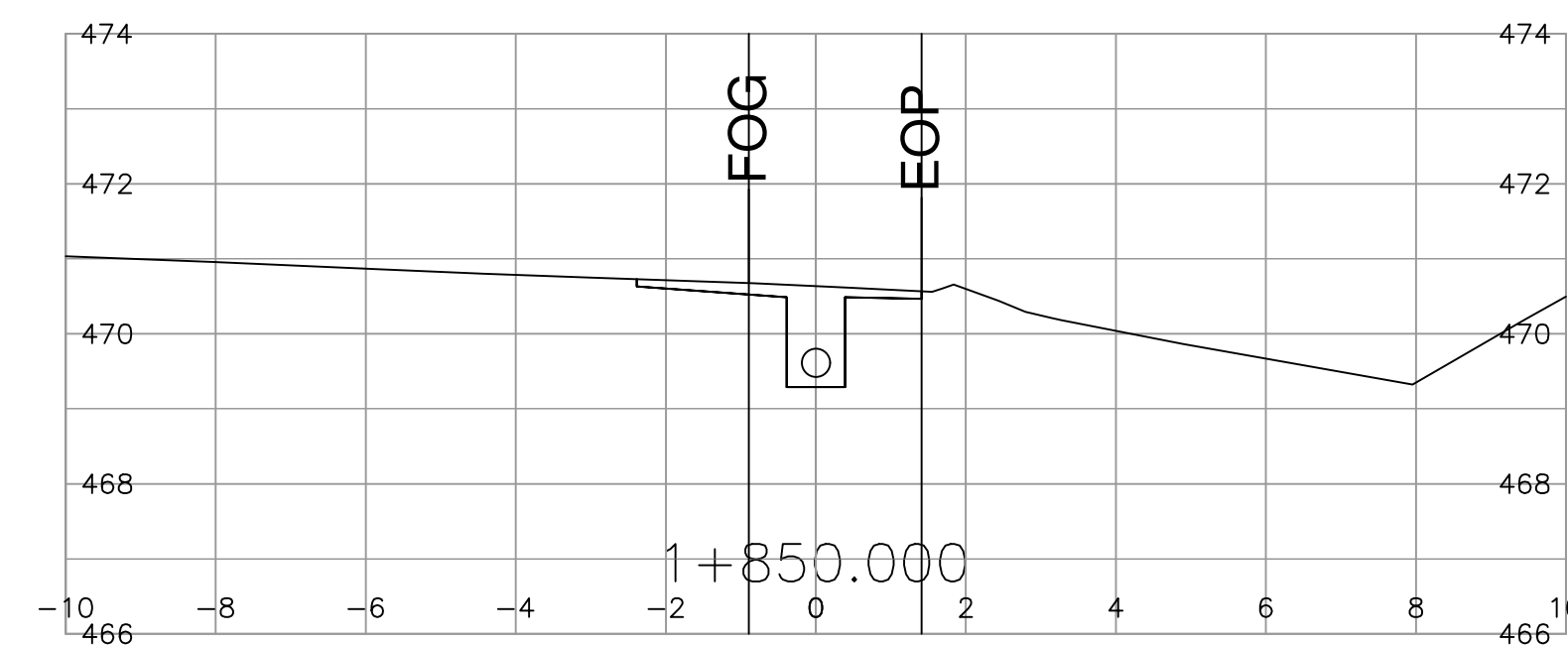
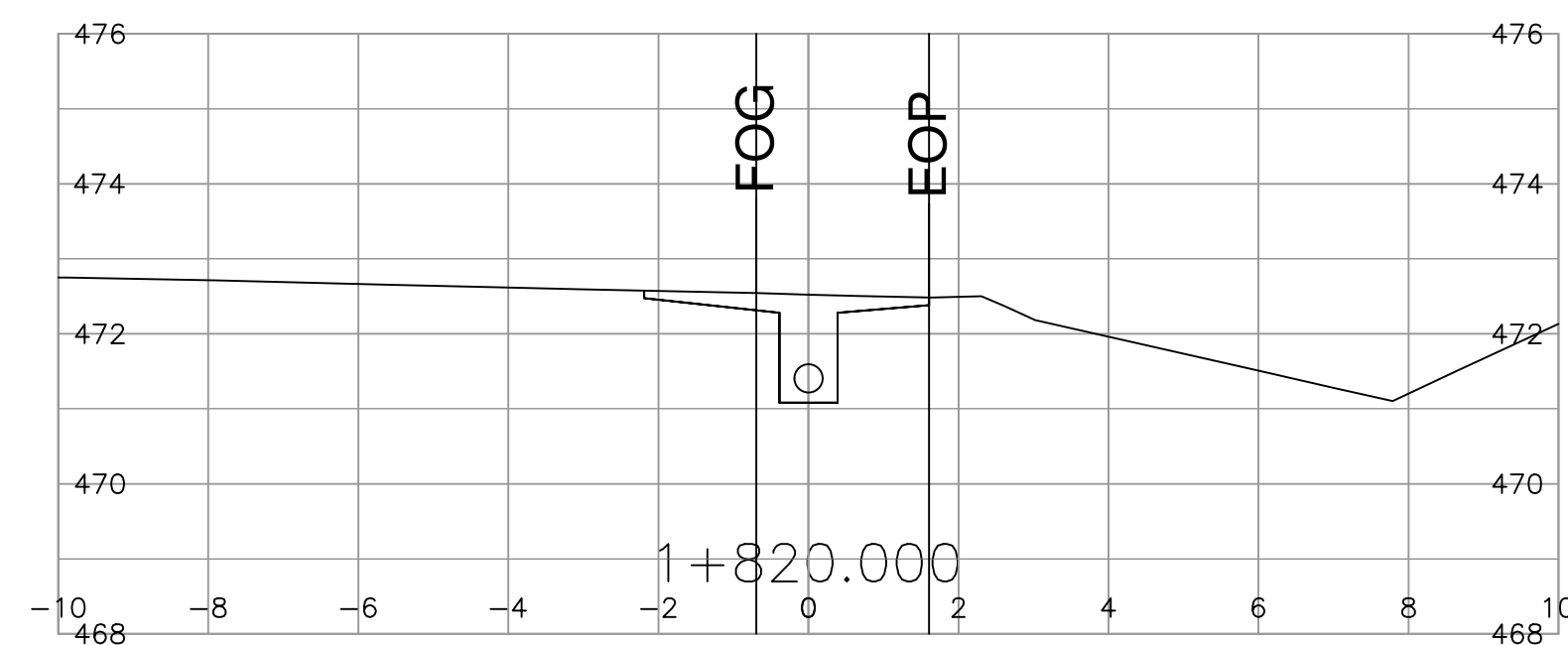
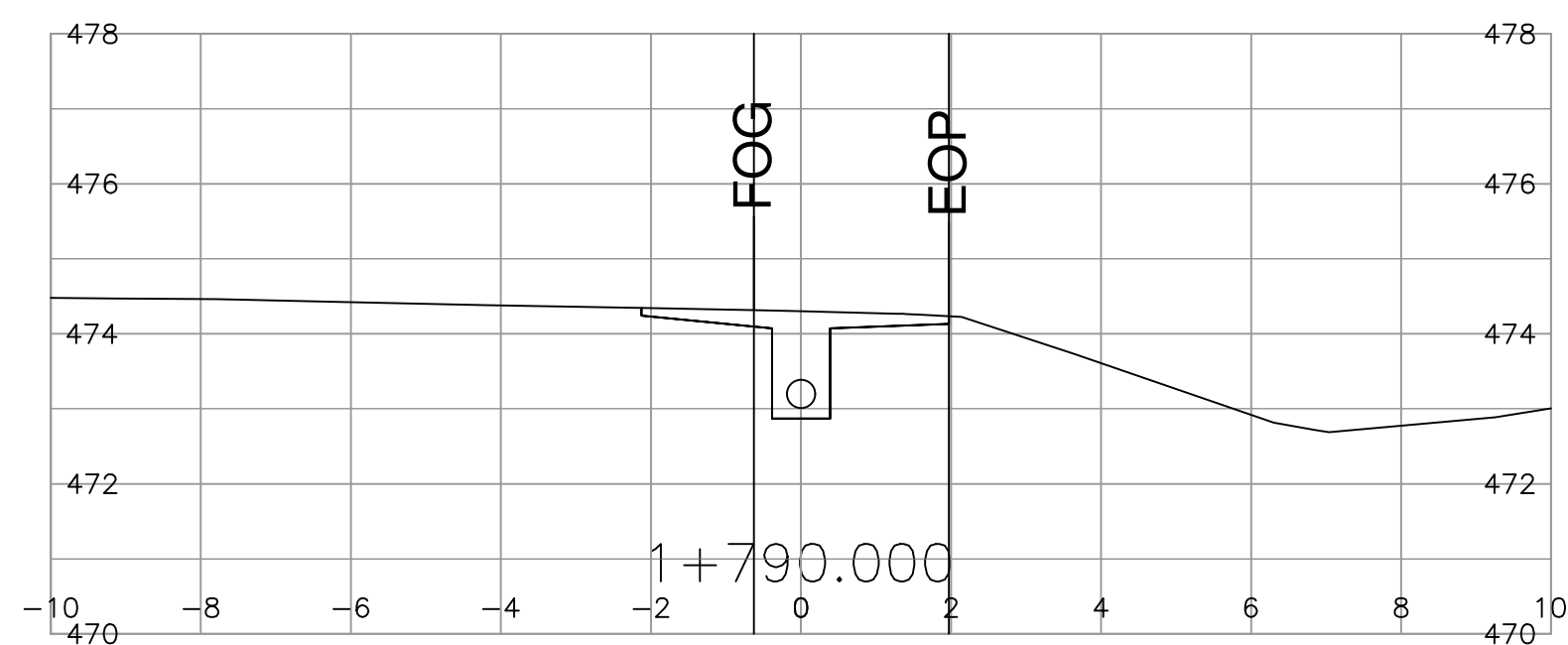
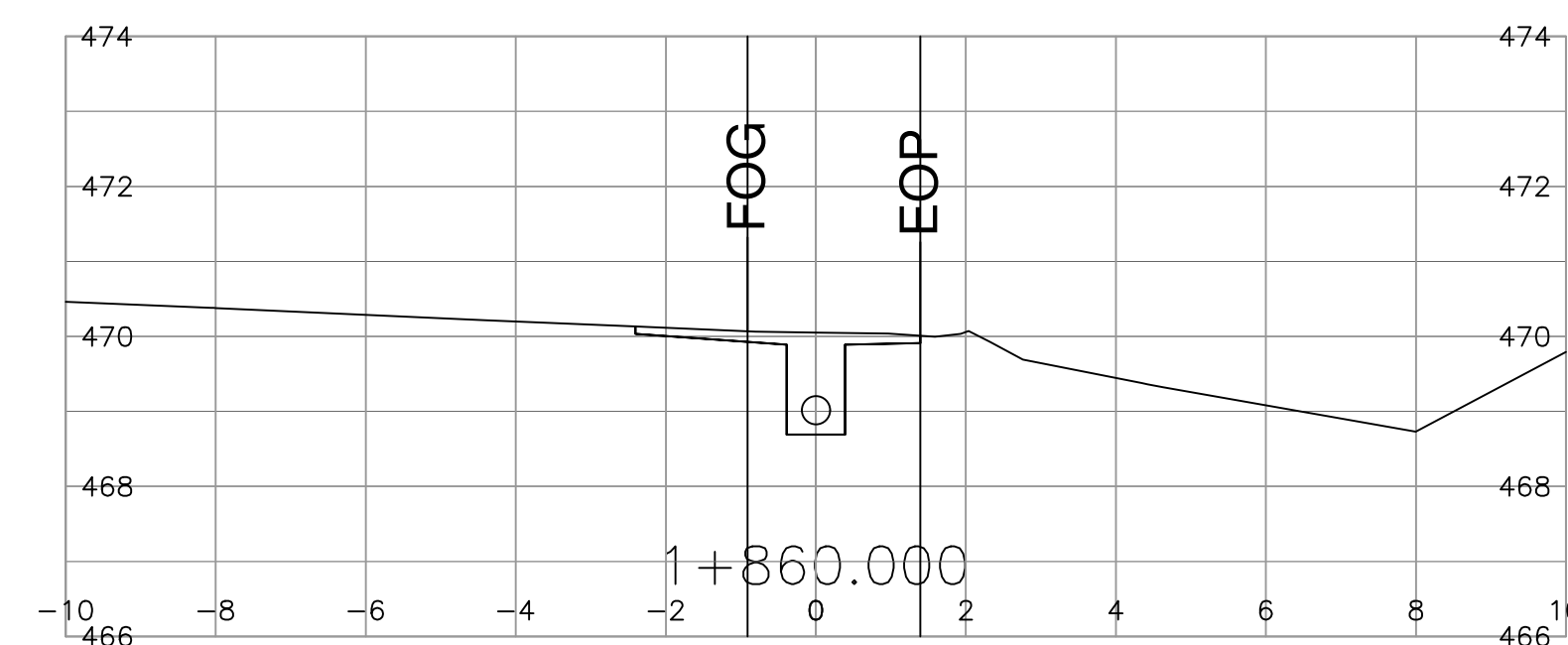
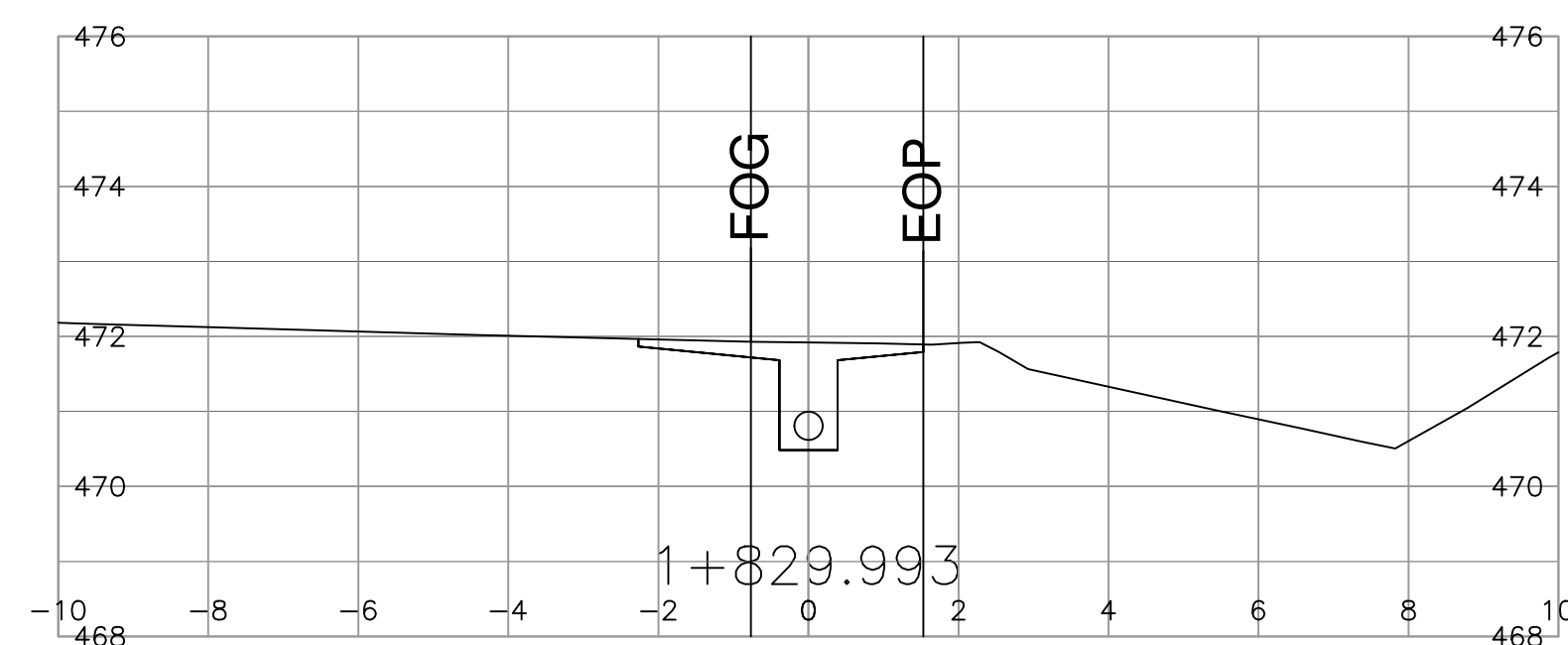
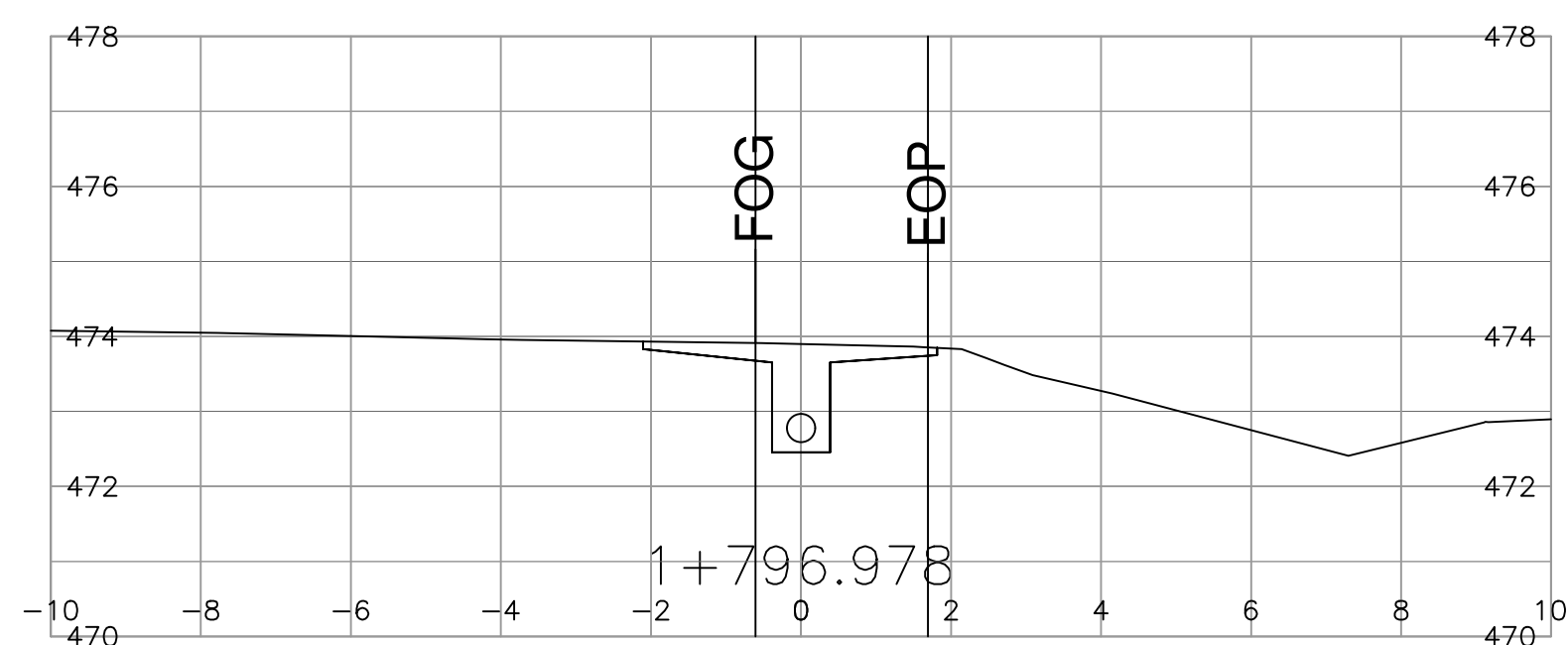
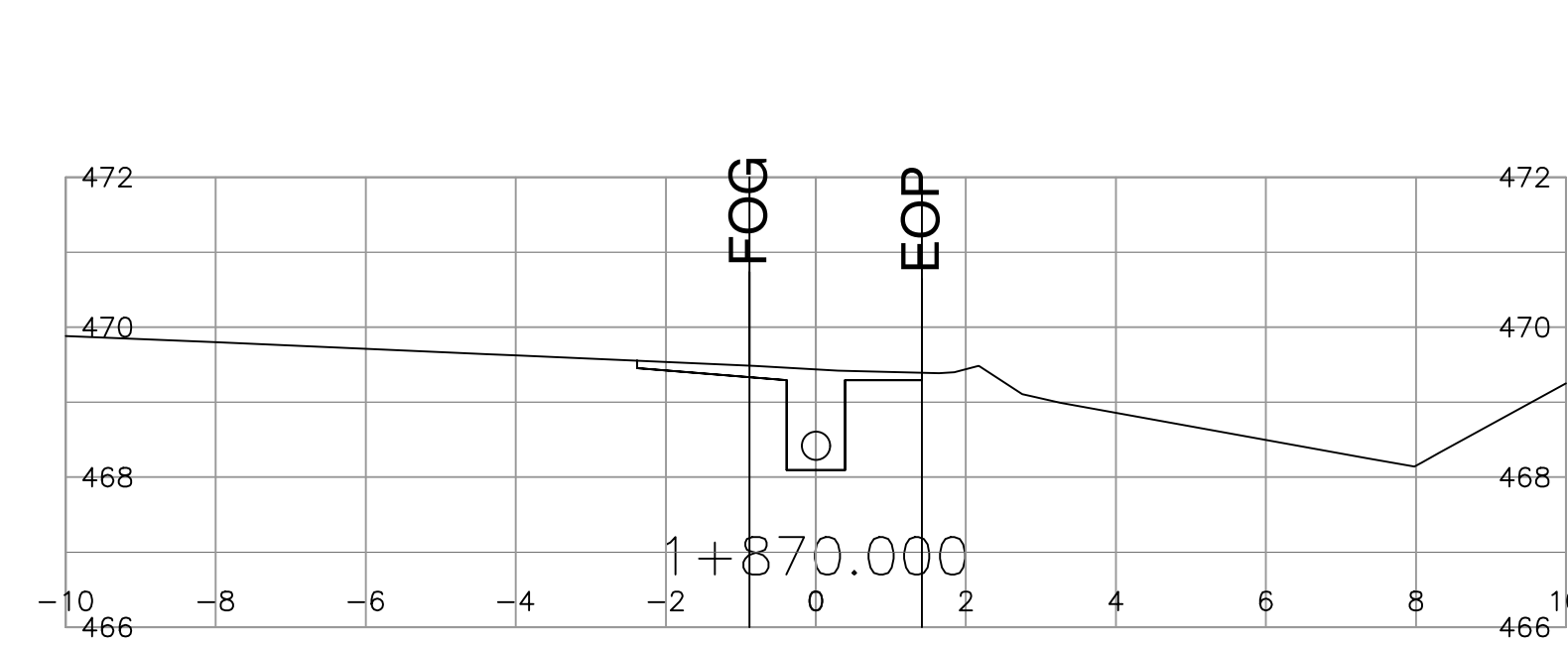
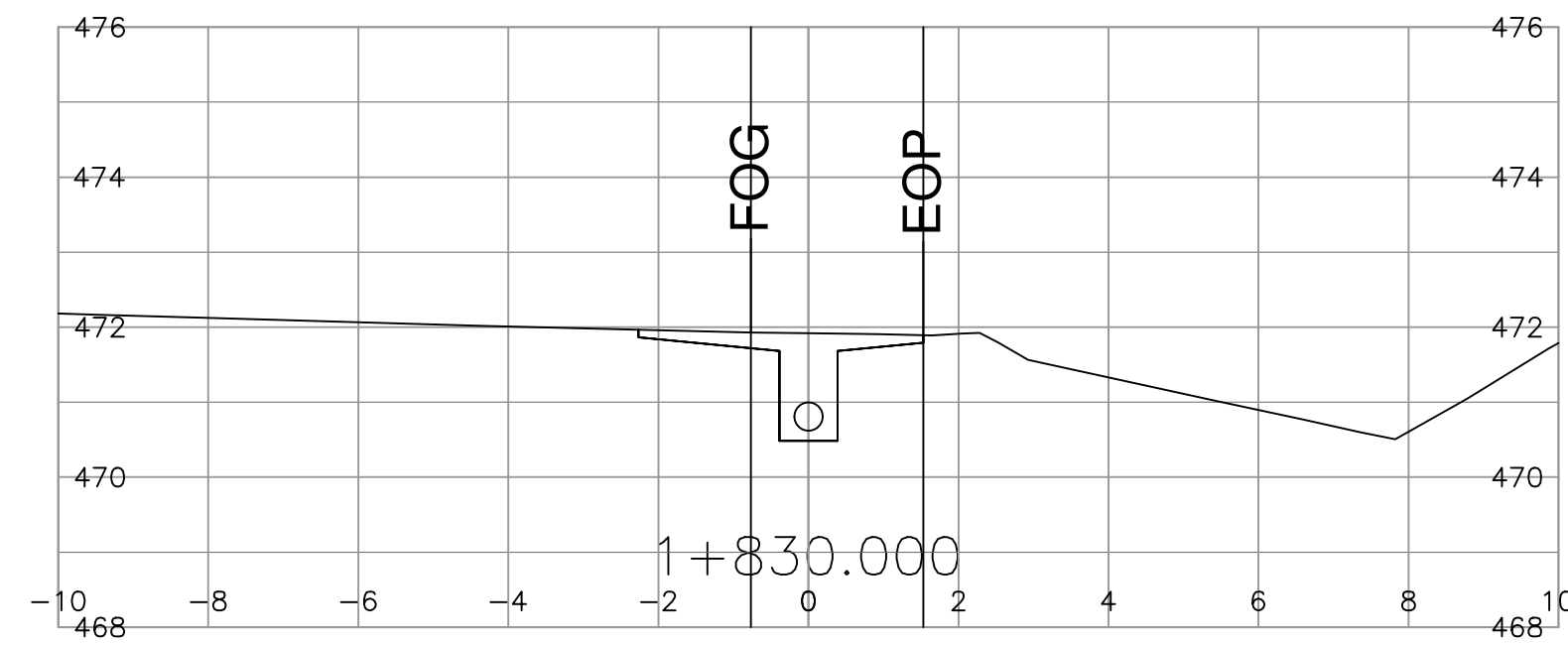
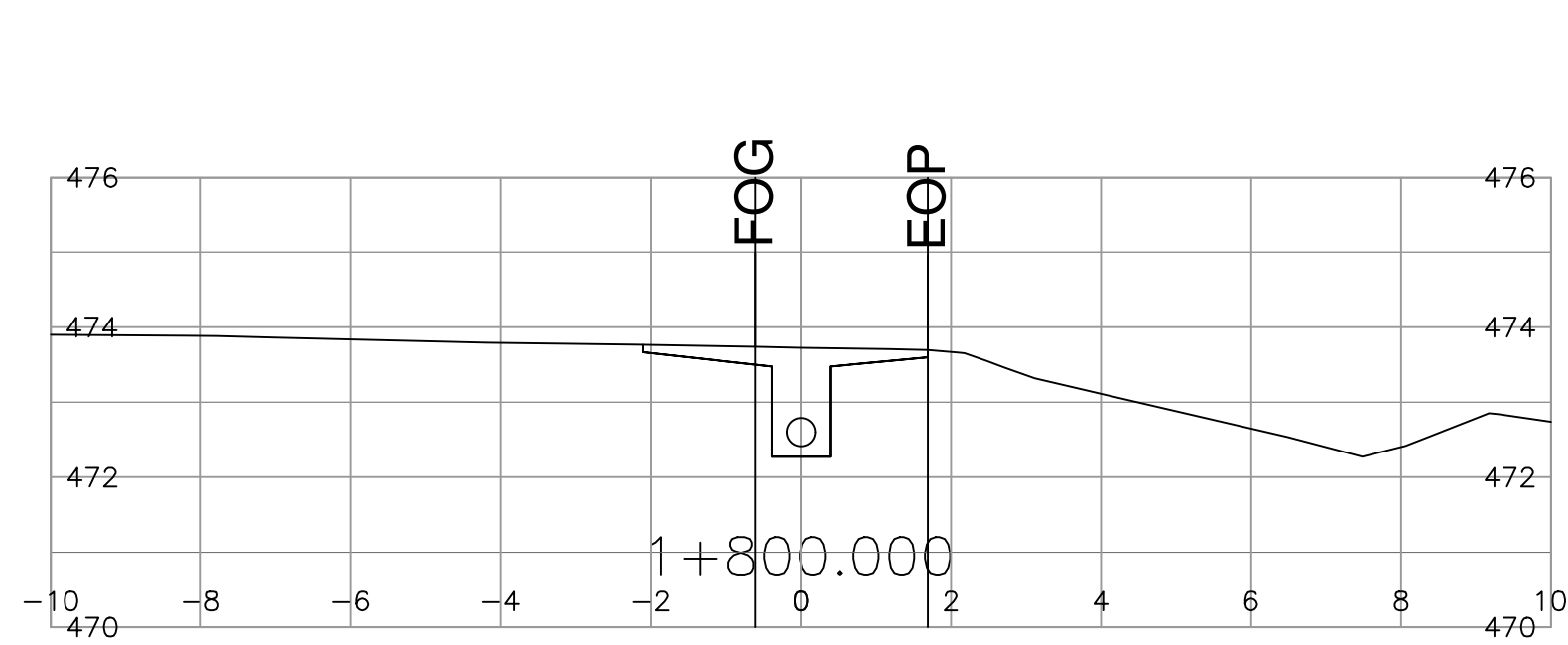
JENNA LEE P. ENG.  
SENIOR DESIGNER

DESIGNED J. LEE DATE 2018-01-11  
QUALITY CONTROL J. FITZGERALD DATE 2018-01-11  
QUALITY ASSURANCE S. KING DATE 2018-01-11  
DRAWN J. WHITE DATE 2018-01-11

DATE 2018-01-11

**SECTIONS**  
HIGHWAY 97  
OYAMA DRAINAGE IMPROVEMENTS


FILE NUMBER 2809	PROJECT NUMBER 24191-0002	REG 2	DRAWING NUMBER R2-1015-1009	REV
---------------------	------------------------------	----------	--------------------------------	-----



SCALE 0 1 1:100 5m

CAD FILENAME R2-1015-1001-1033  
PLOT DATE 1/11/2018

REV	DATE	REVISIONS	NAME



**MINISTRY OF TRANSPORTATION AND INFRASTRUCTURE**  
SOUTHERN INTERIOR REGION  
HIGHWAY ENGINEERING AND GEOMATICS

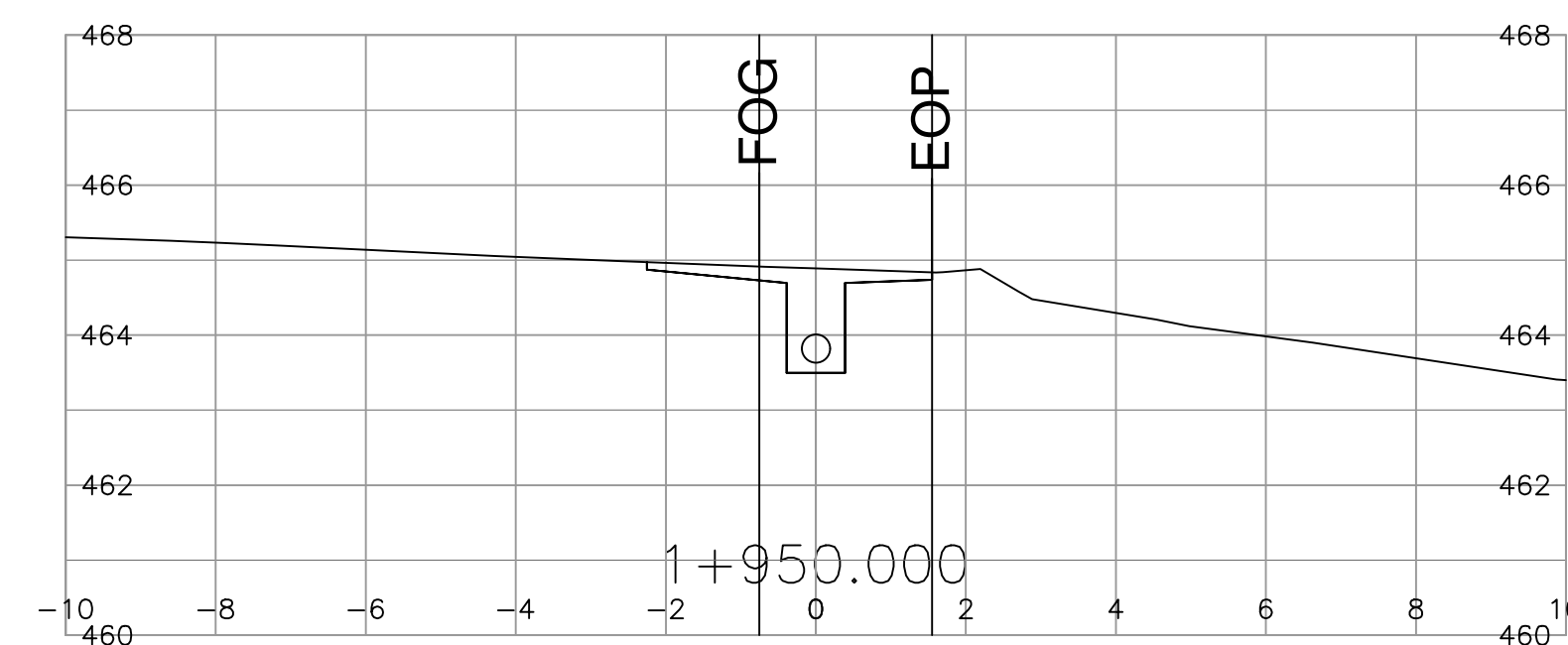
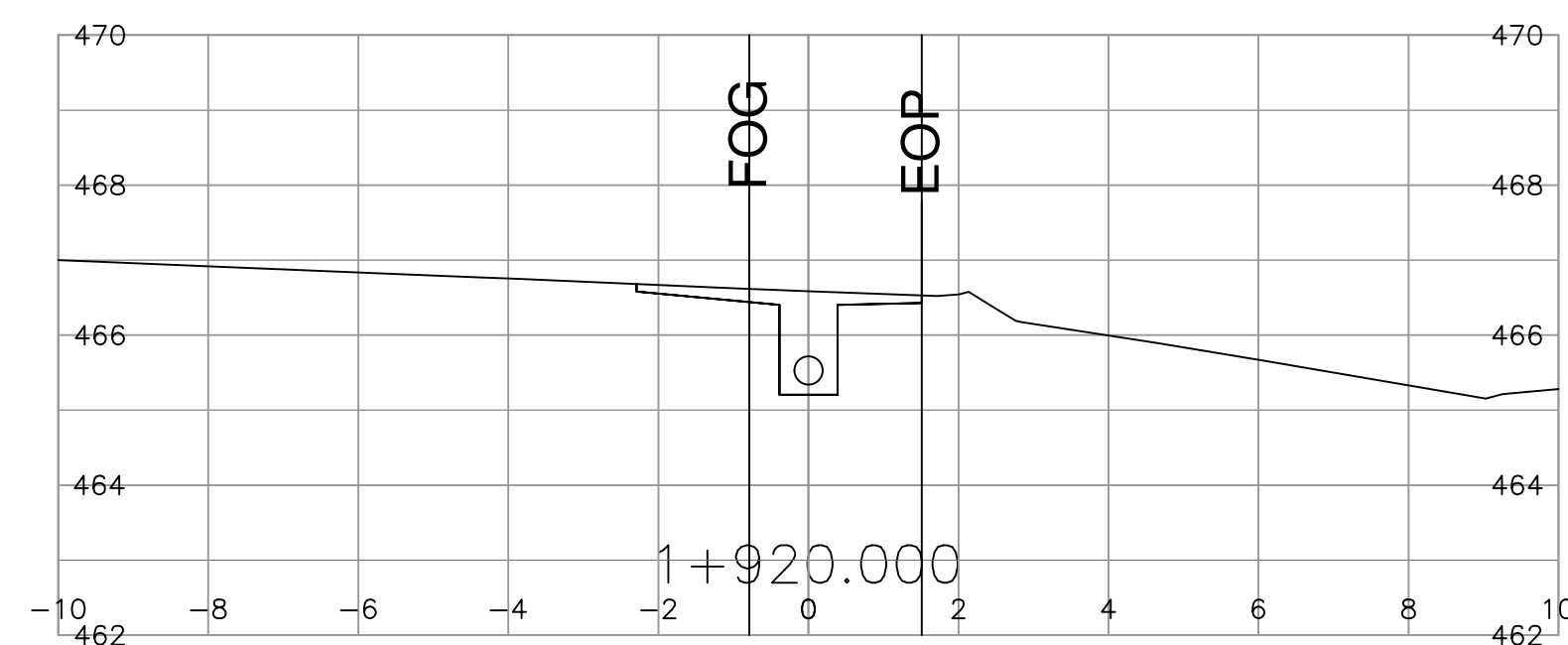
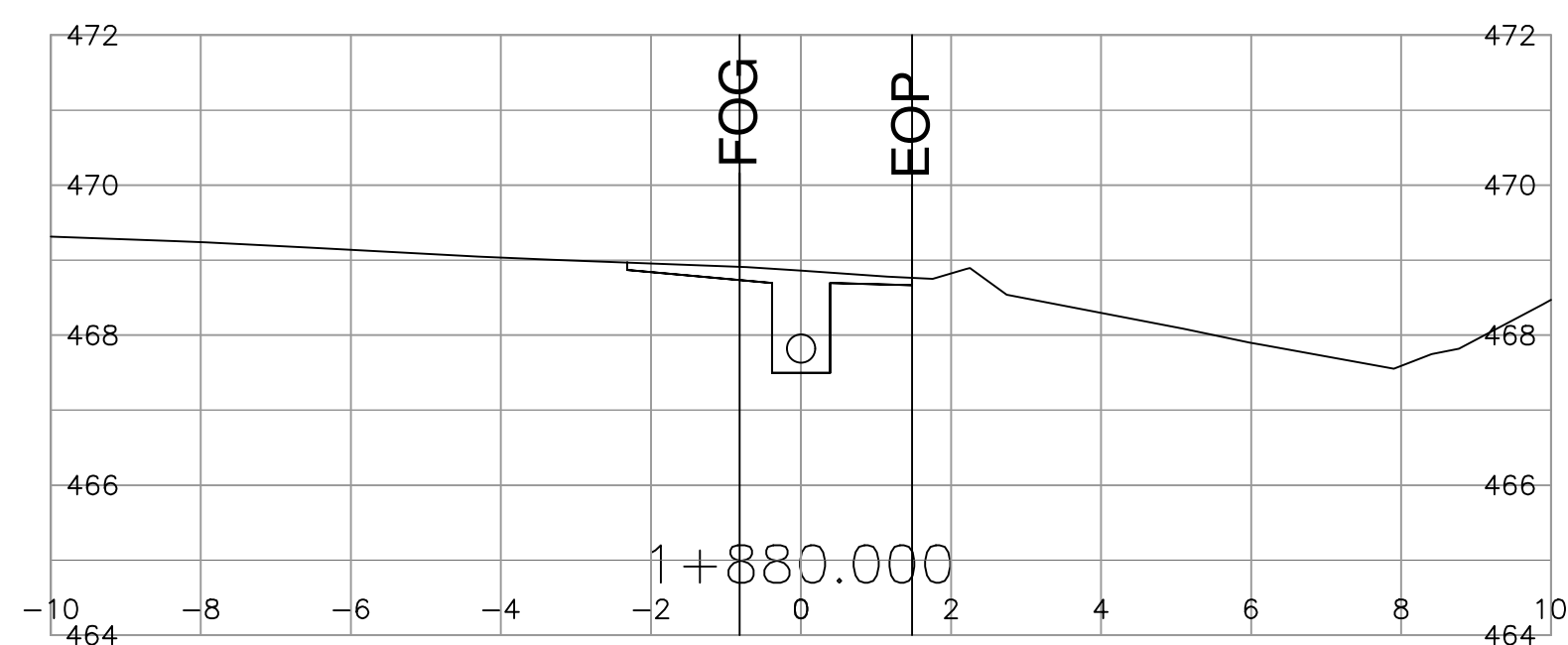
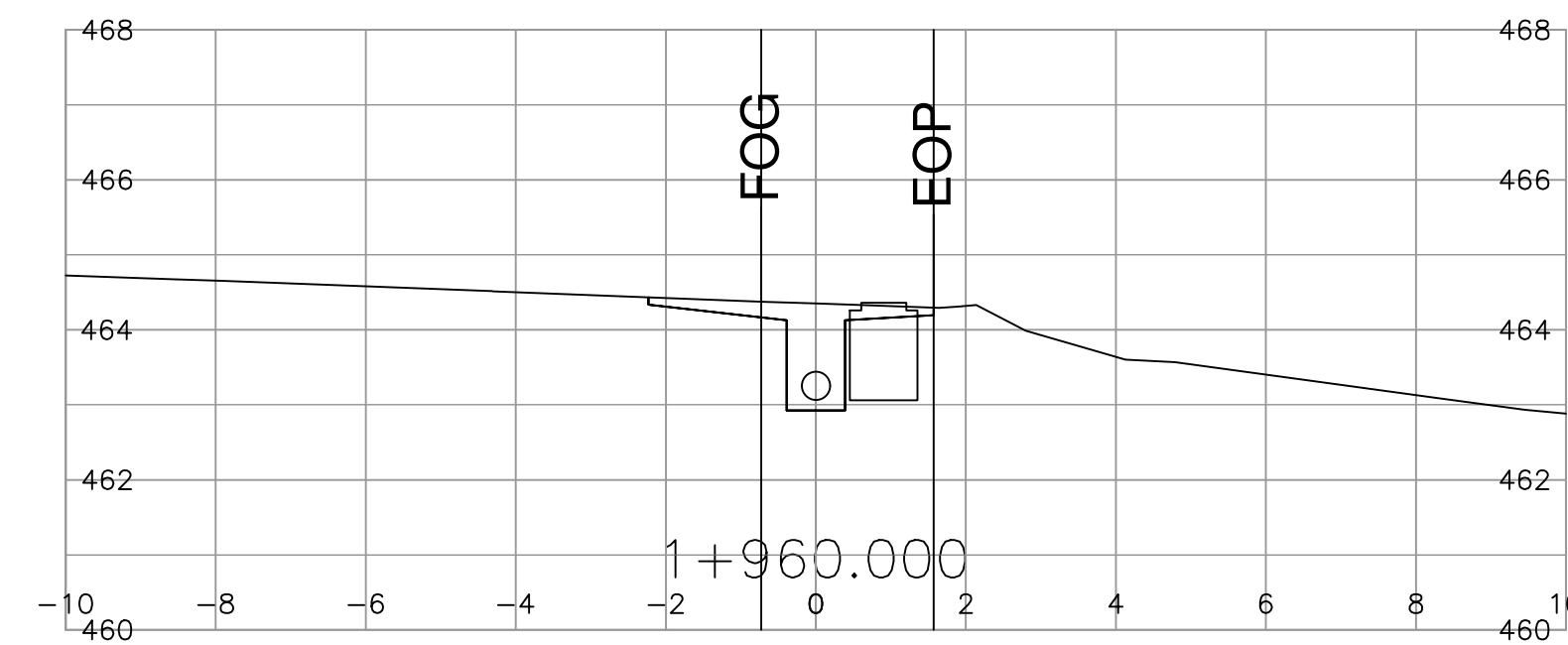
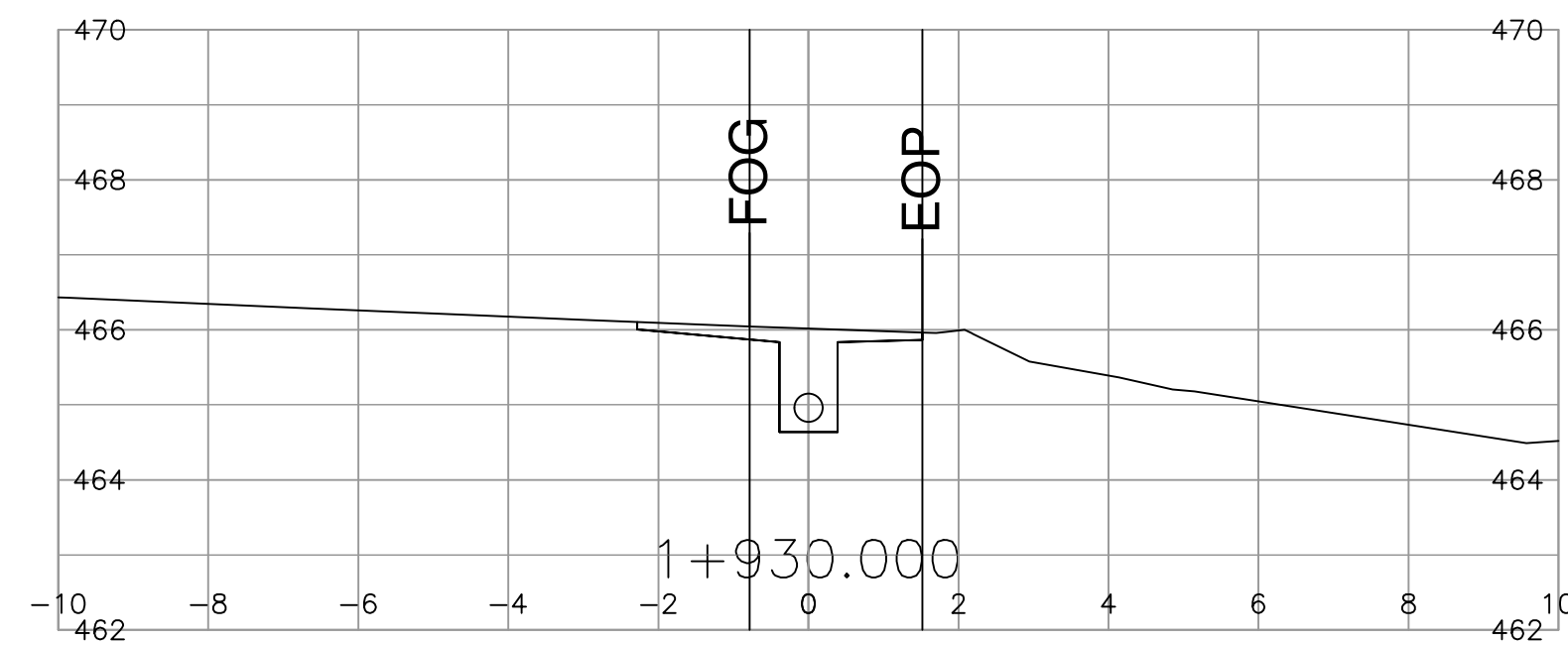
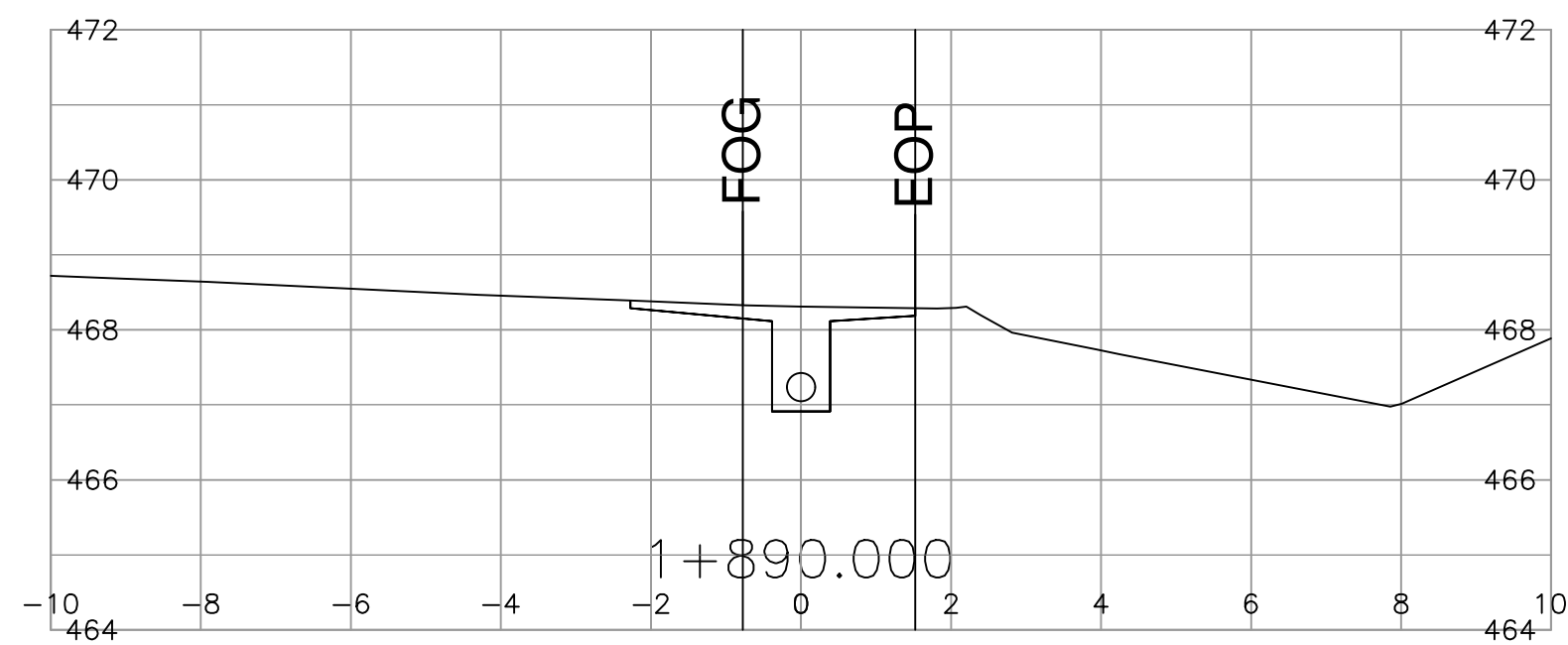
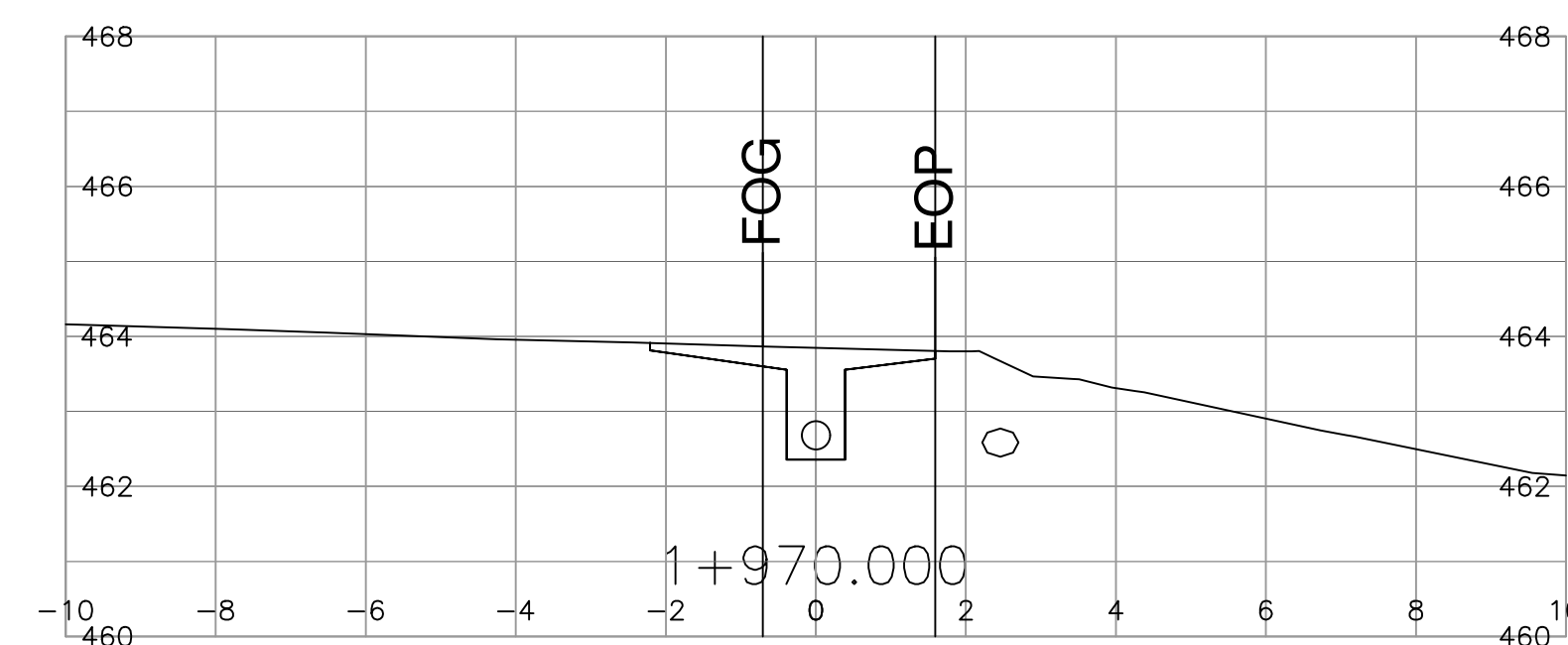
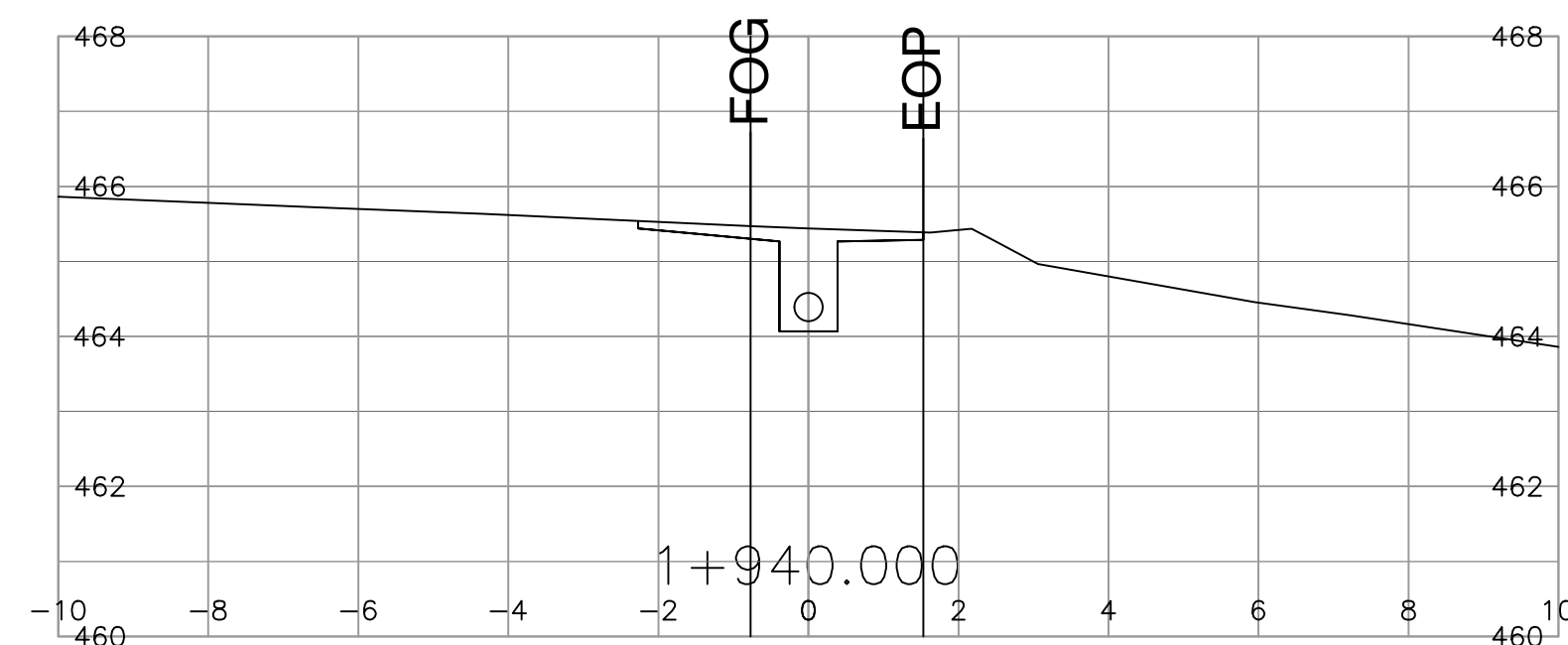
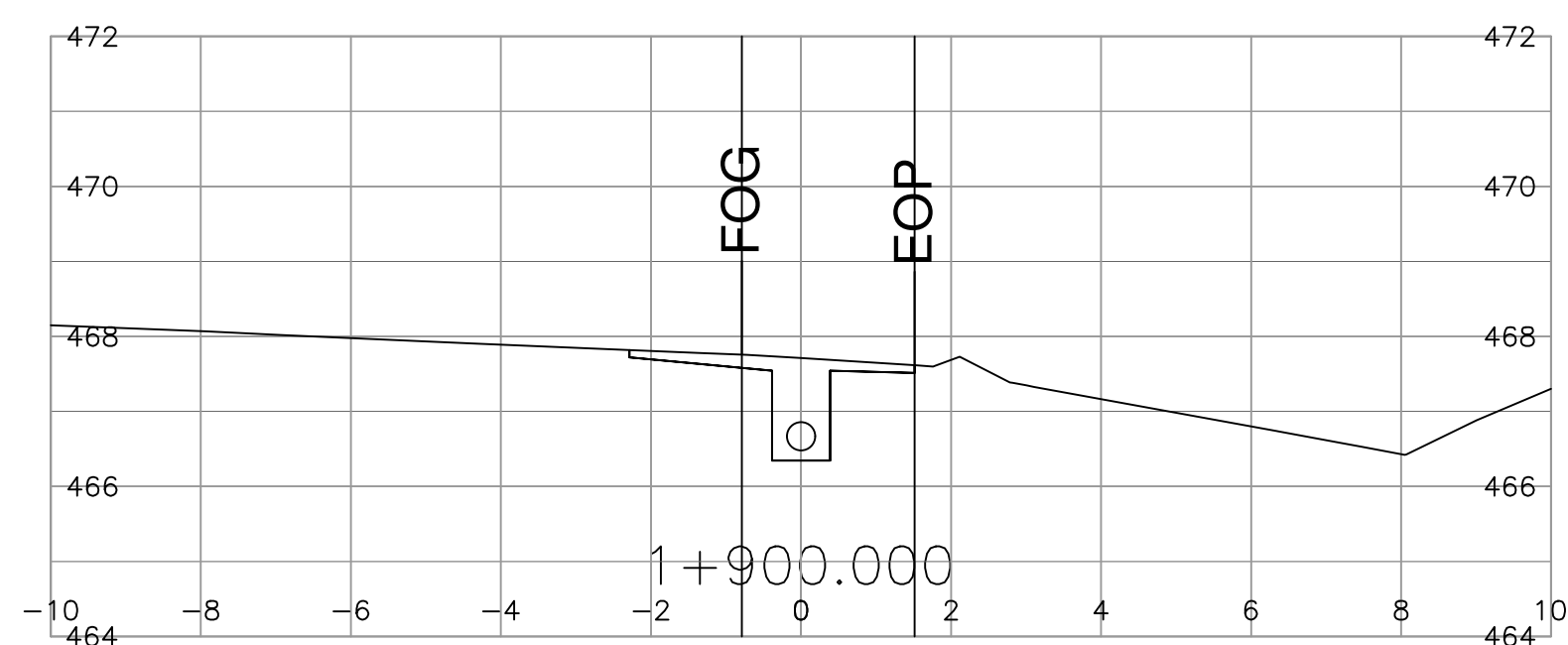
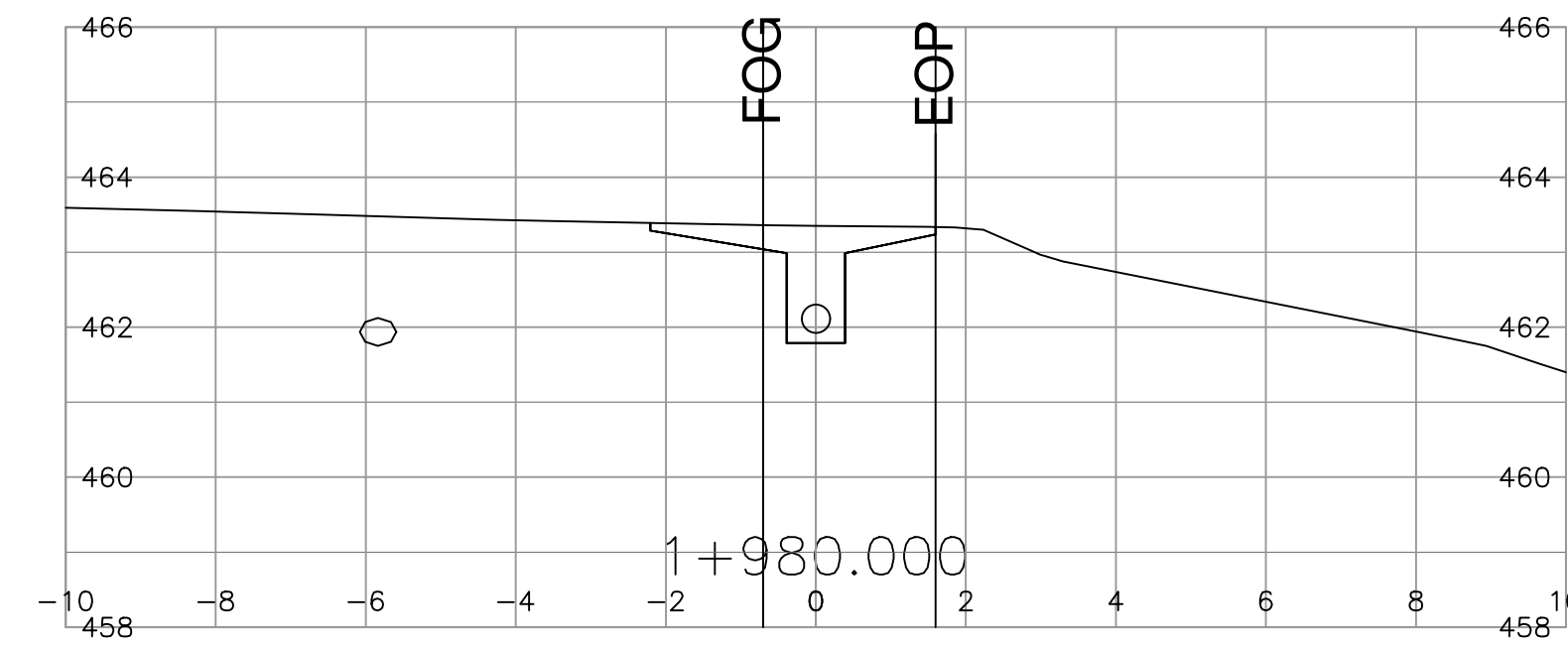
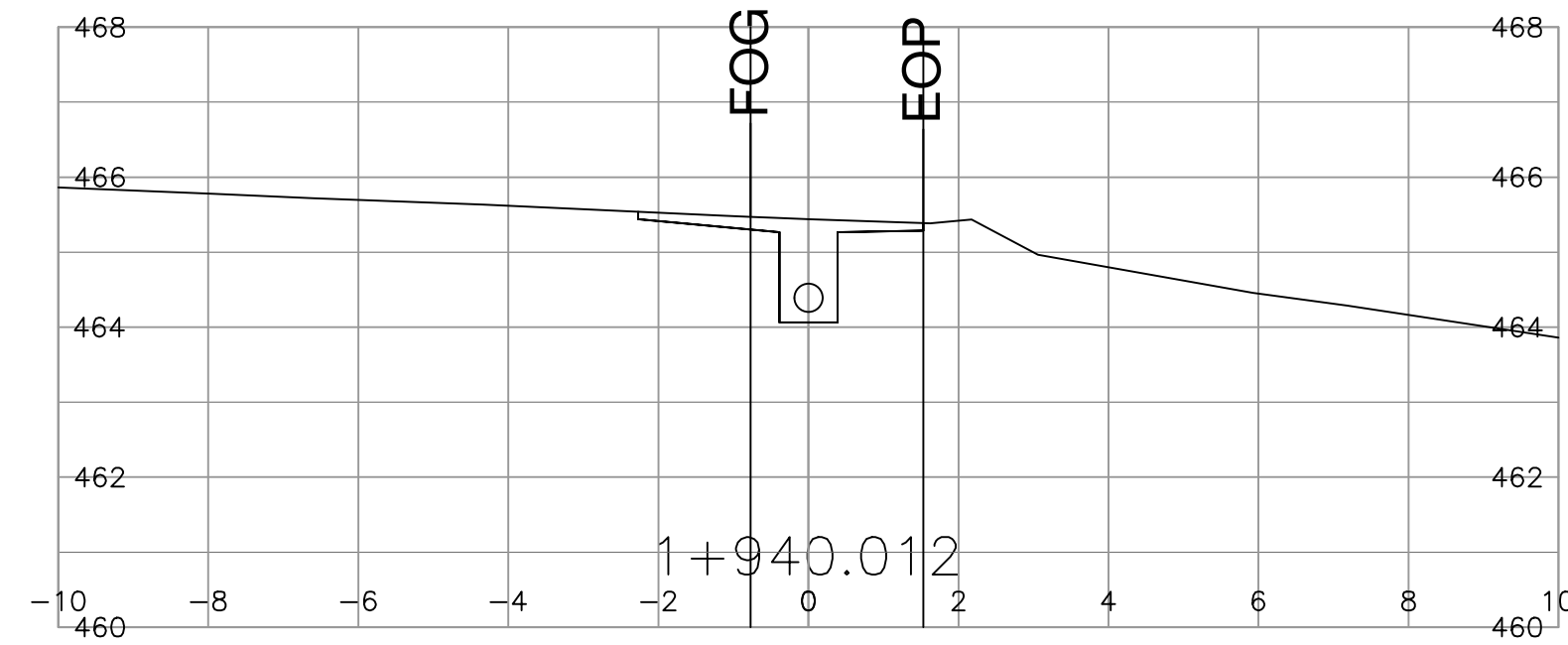
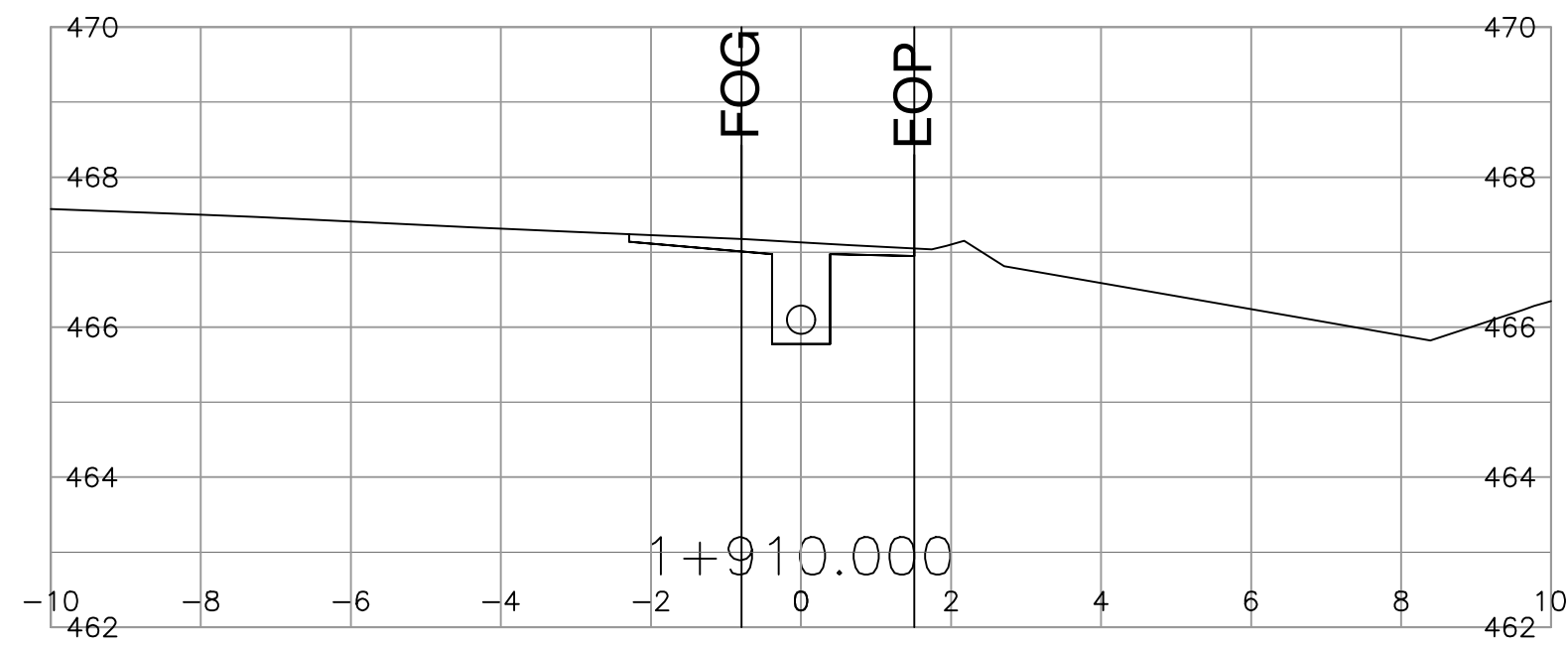
JENNA LEE P. ENG.  
SENIOR DESIGNER

DESIGNED J. LEE DATE 2018-01-11  
QUALITY CONTROL J. FITZGERALD DATE 2018-01-11  
QUALITY ASSURANCE S. KING DATE 2018-01-11  
DRAWN J. WHITE DATE 2018-01-11

DATE 2018-01-11

**SECTIONS**  
HIGHWAY 97  
OYAMA DRAINAGE IMPROVEMENTS


FILE NUMBER 2809	PROJECT NUMBER 24191-0002	REG 2	DRAWING NUMBER R2-1015-1010	REV
---------------------	------------------------------	----------	--------------------------------	-----



SCALE 0 1 1:100 5m

CAD FILENAME R2-1015-1001-1033  
PLOT DATE 1/11/2018

REV	DATE	REVISIONS	NAME



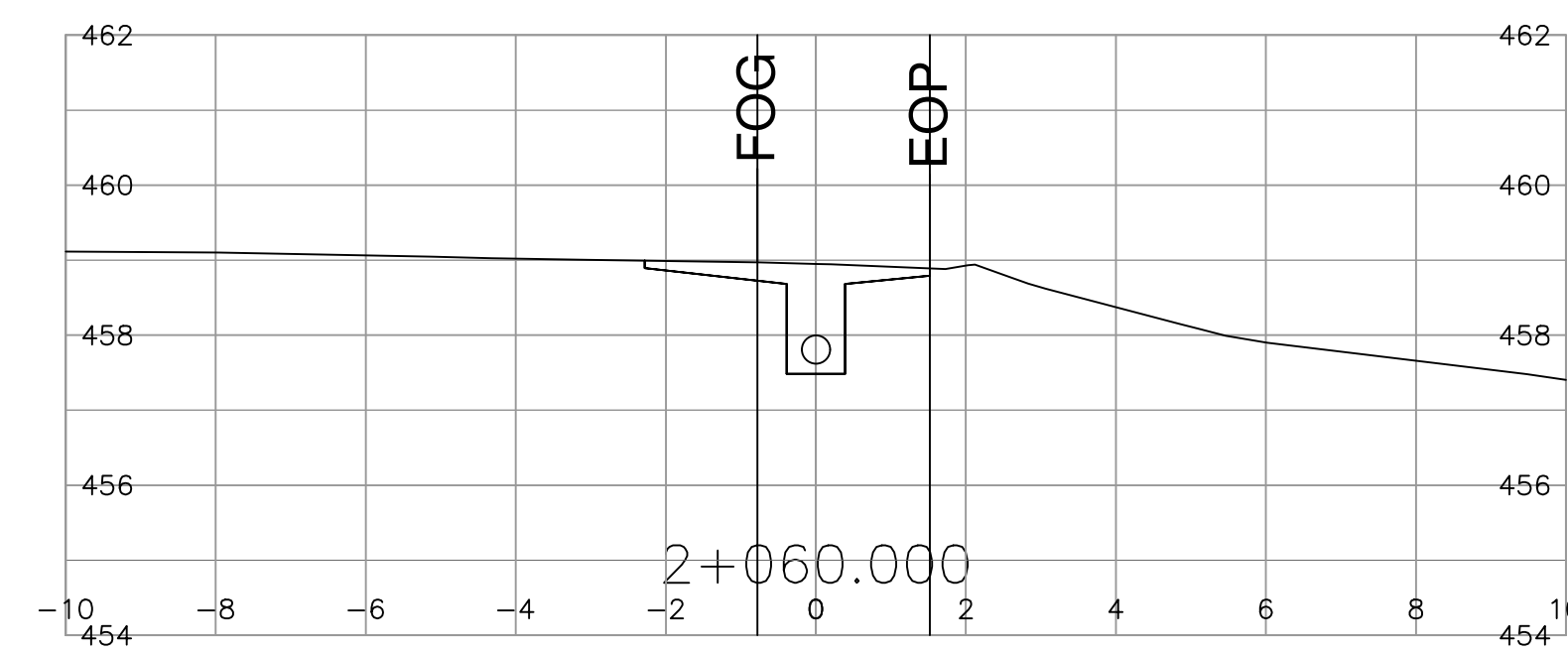
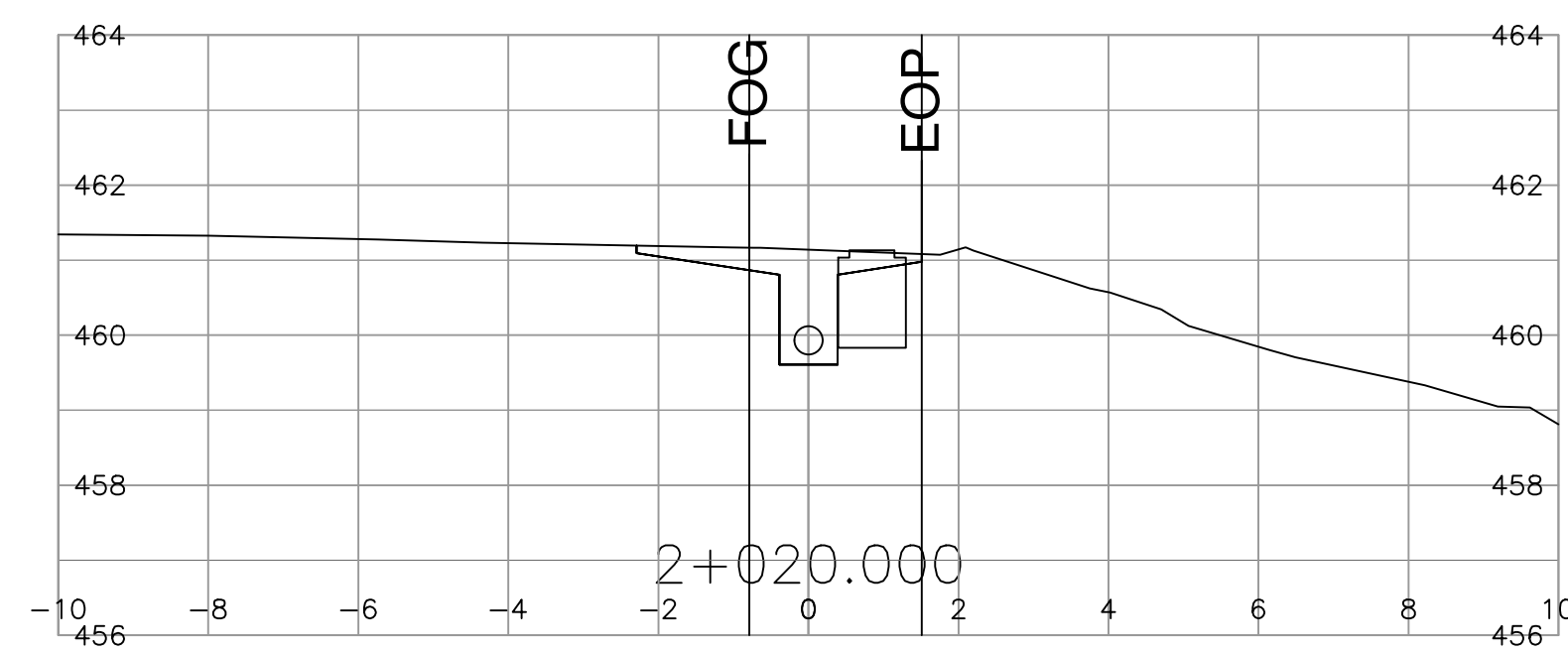
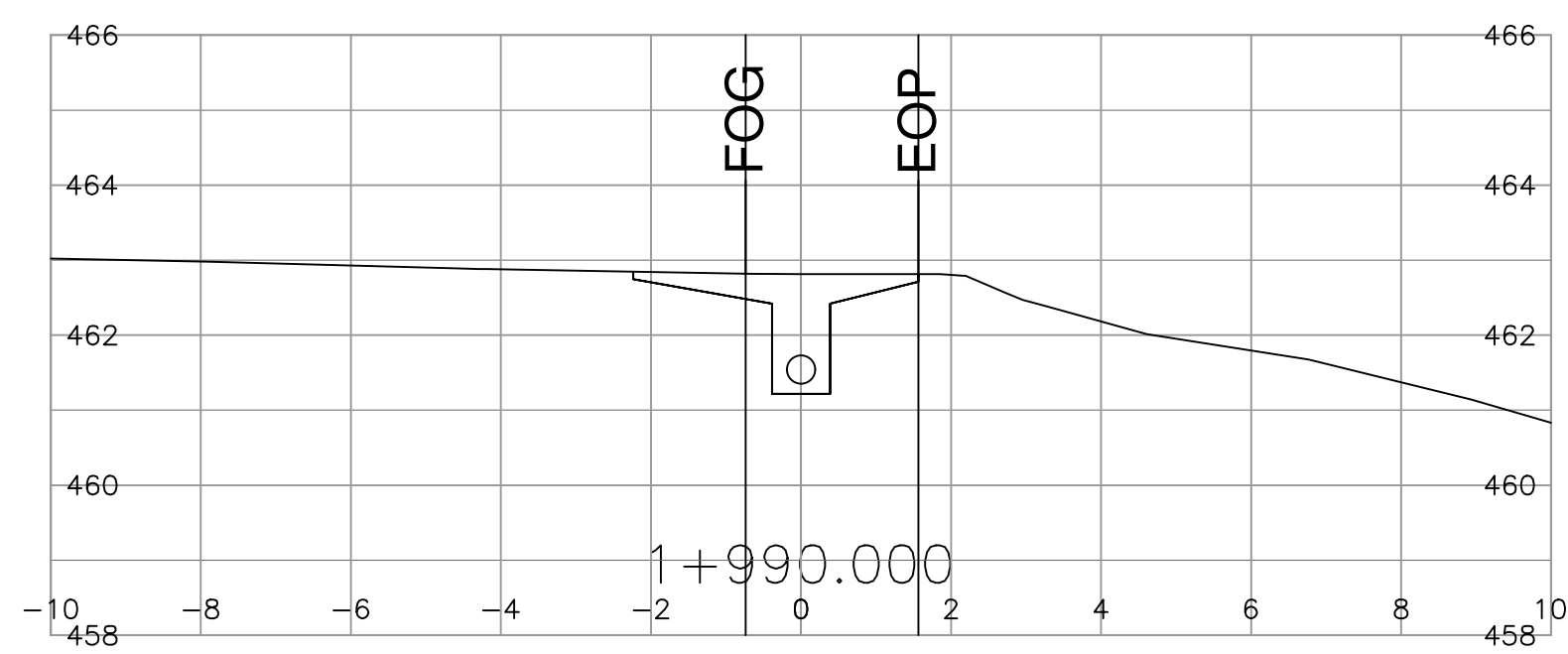
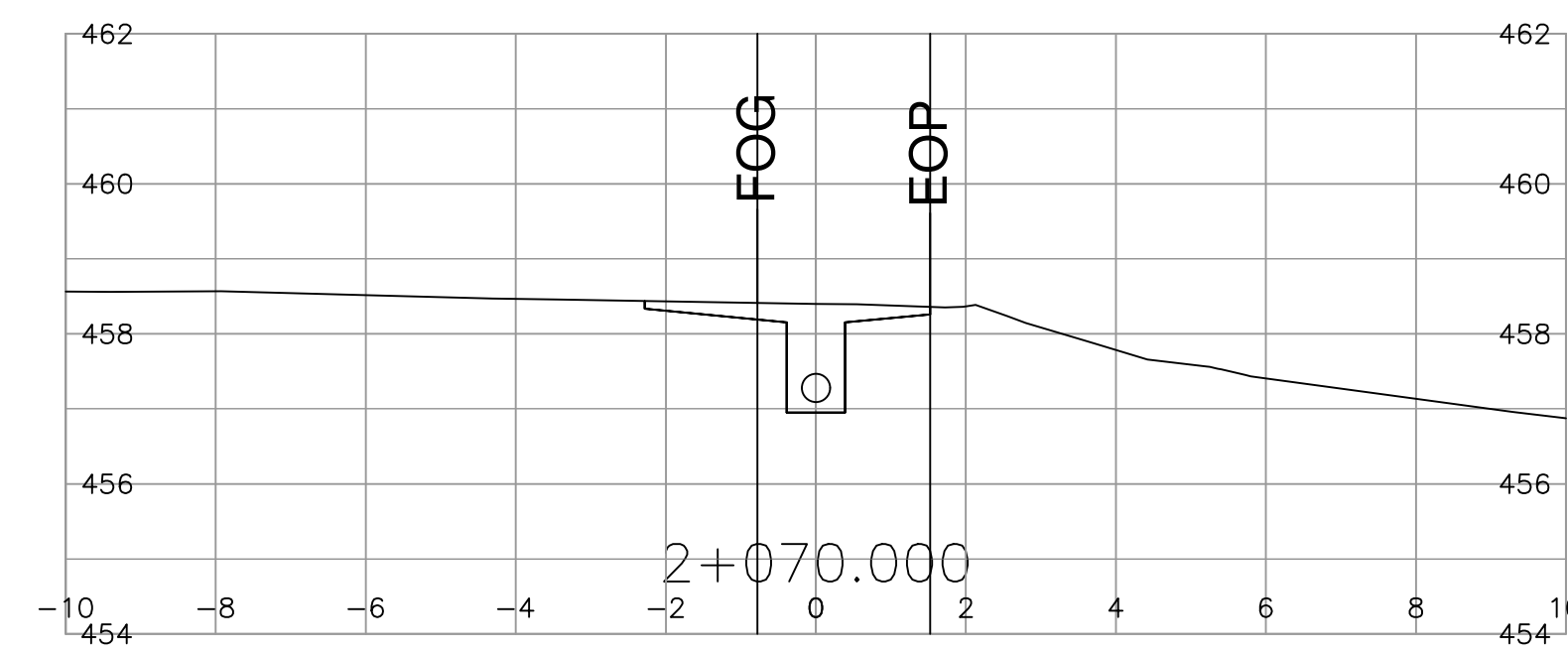
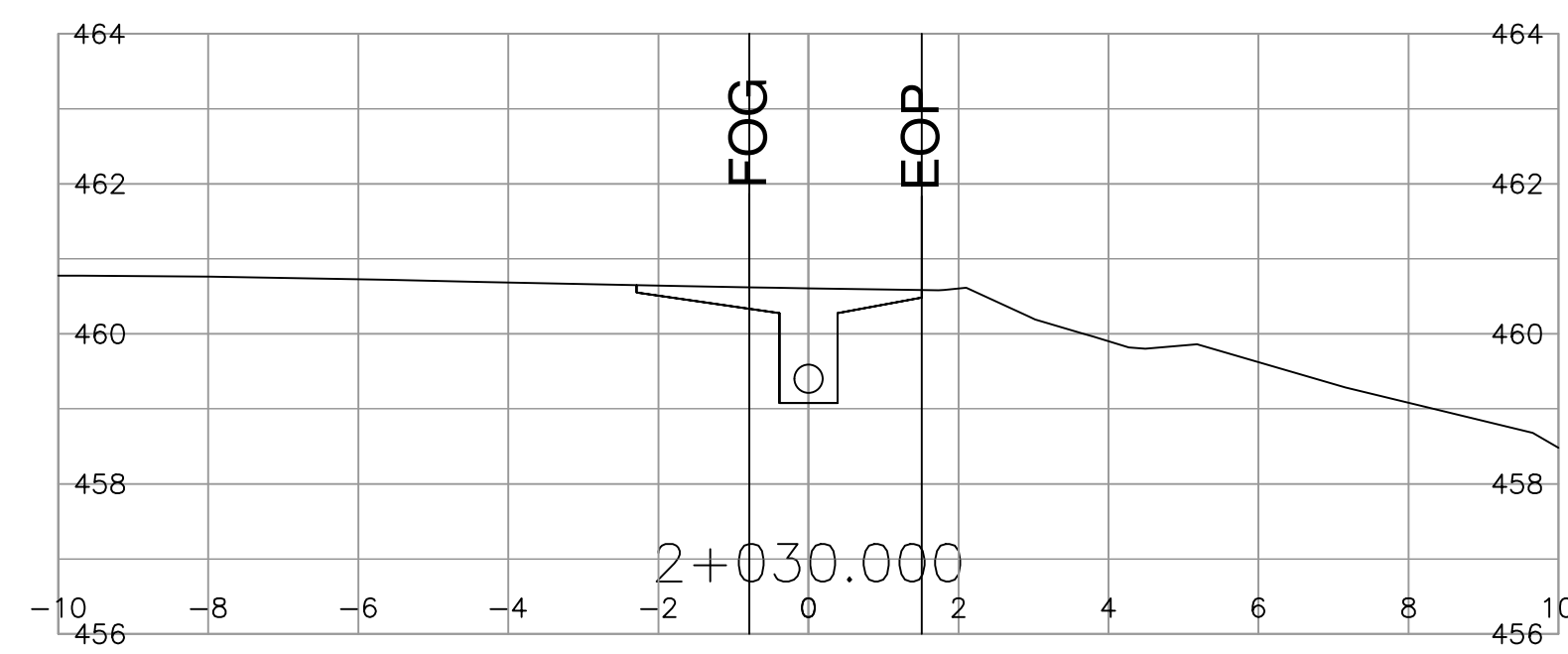
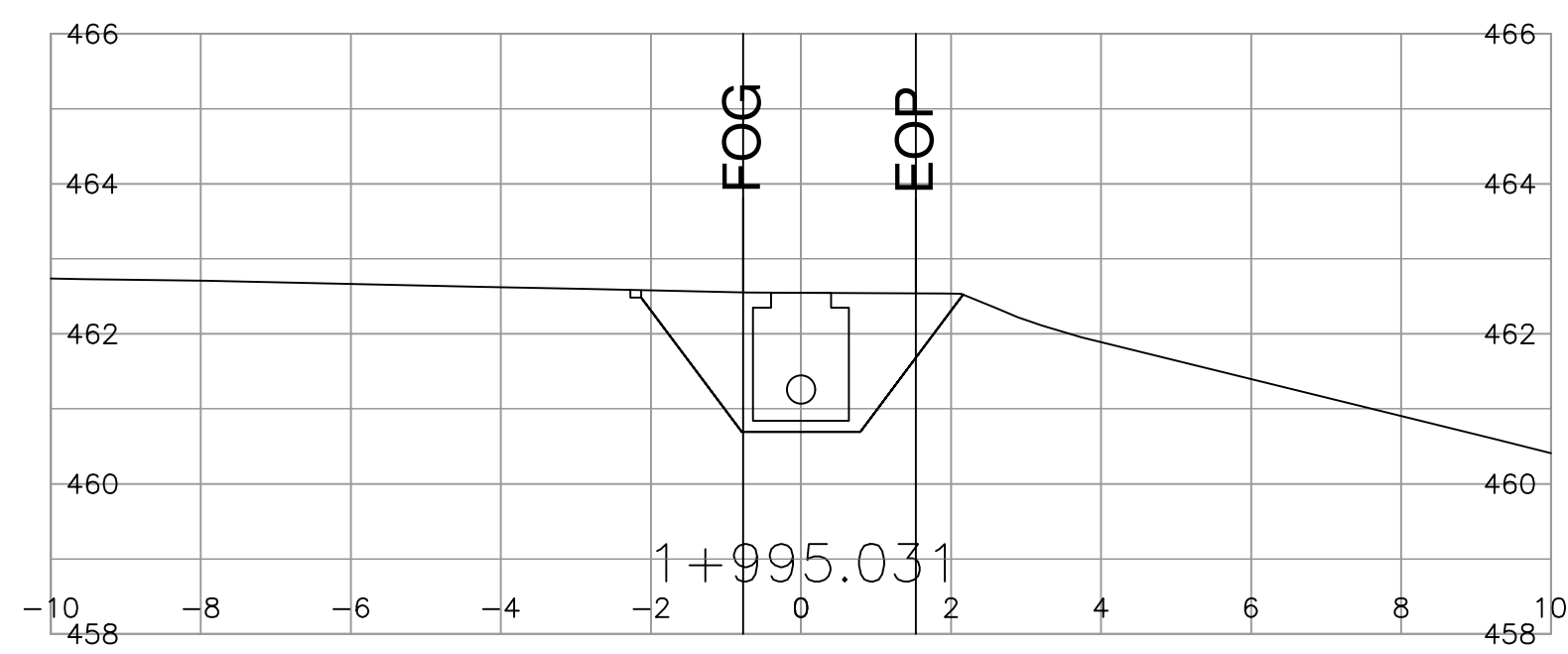
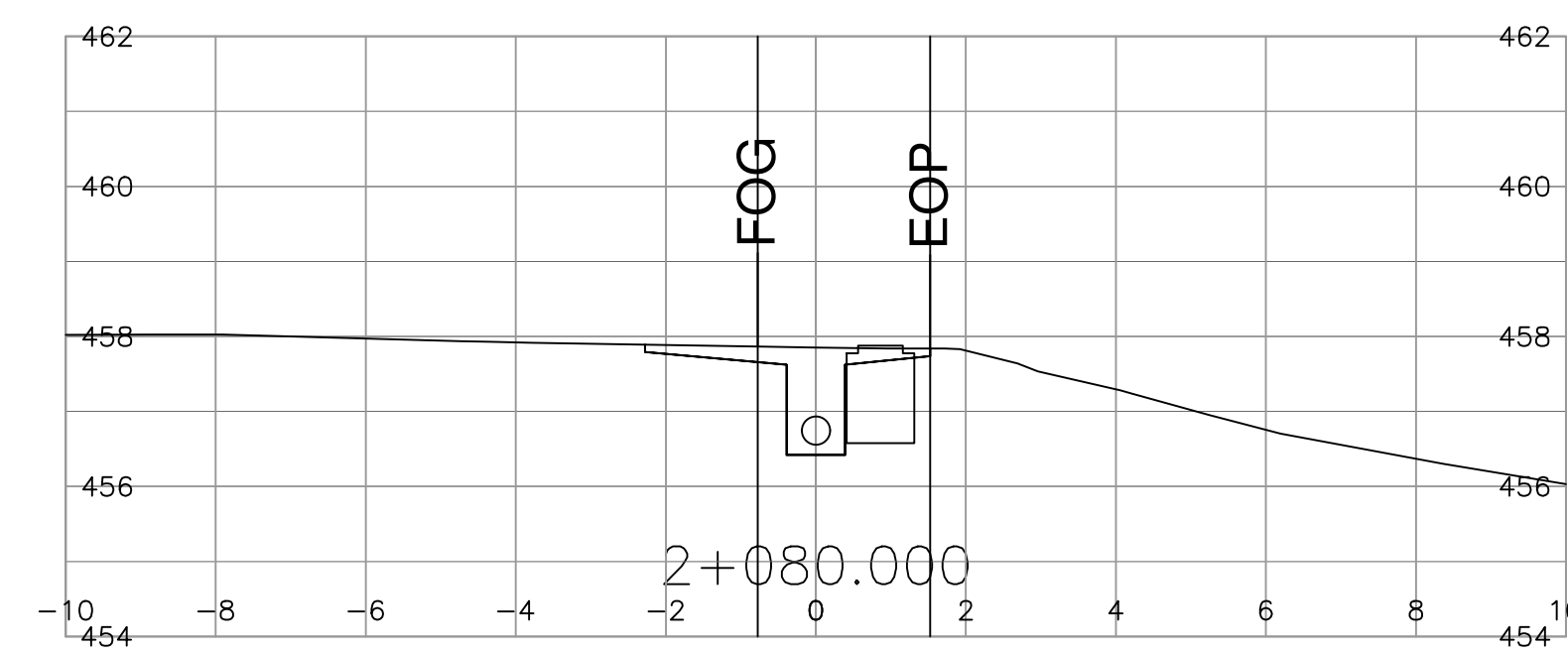
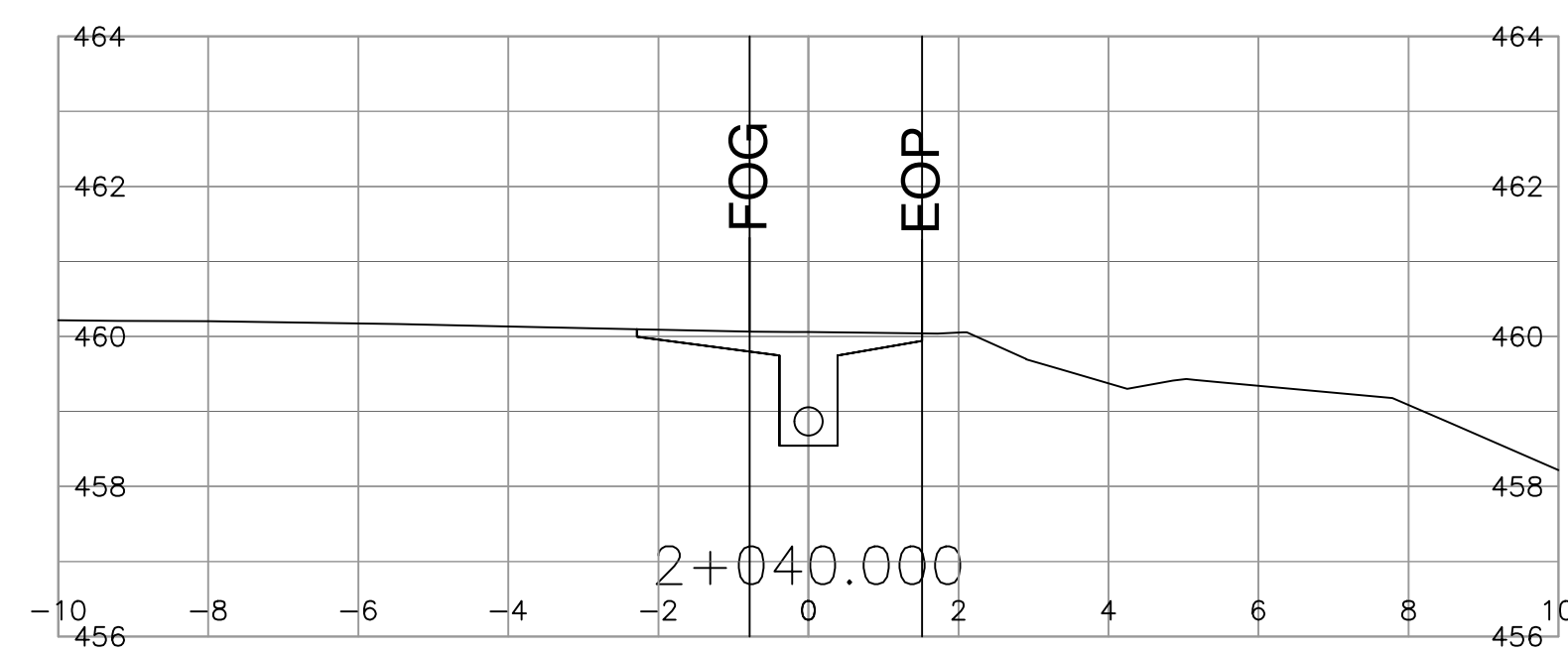
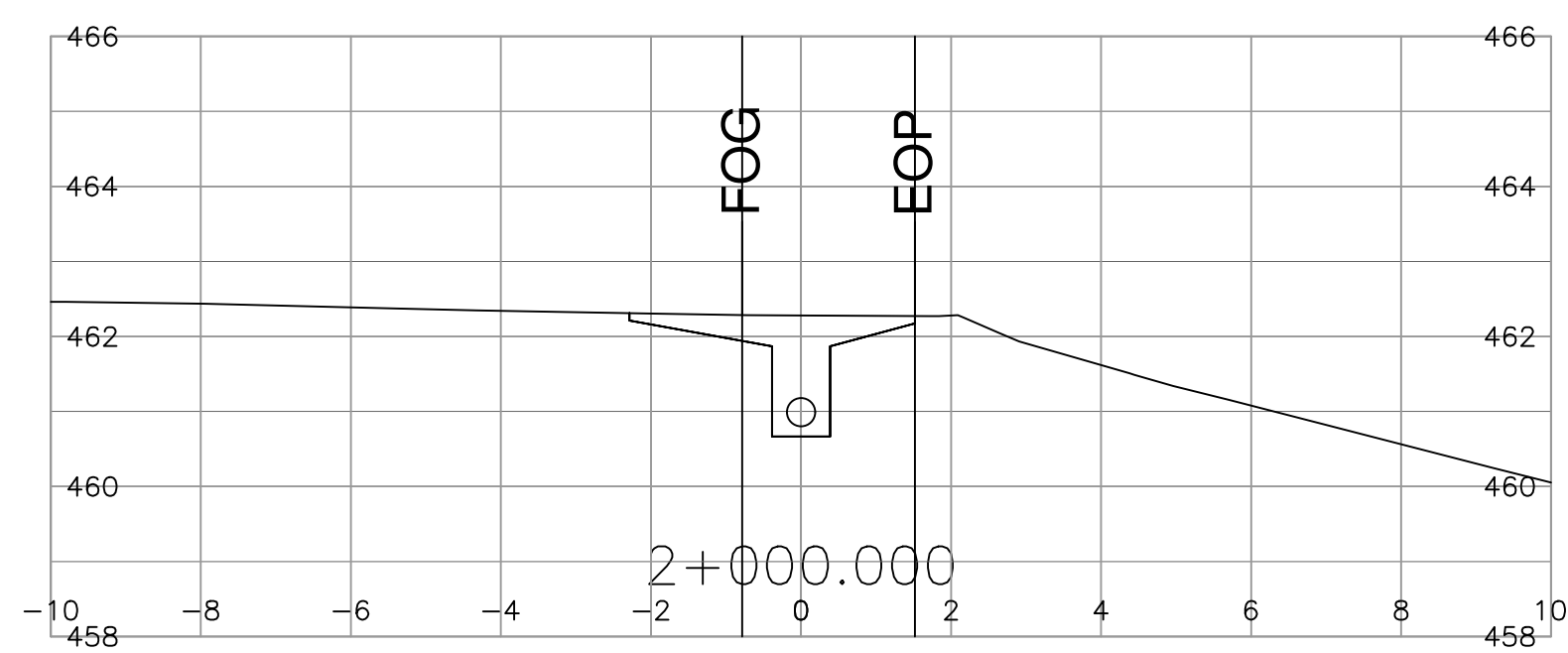
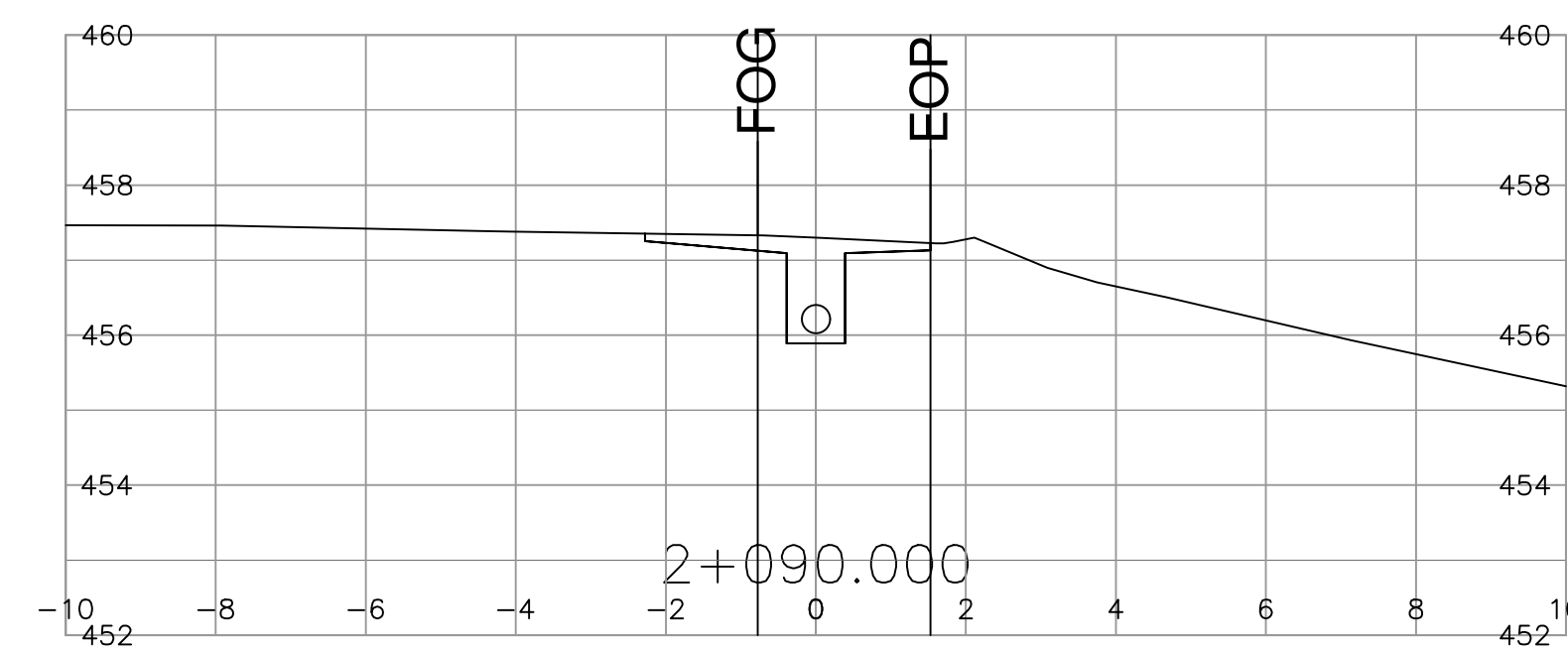
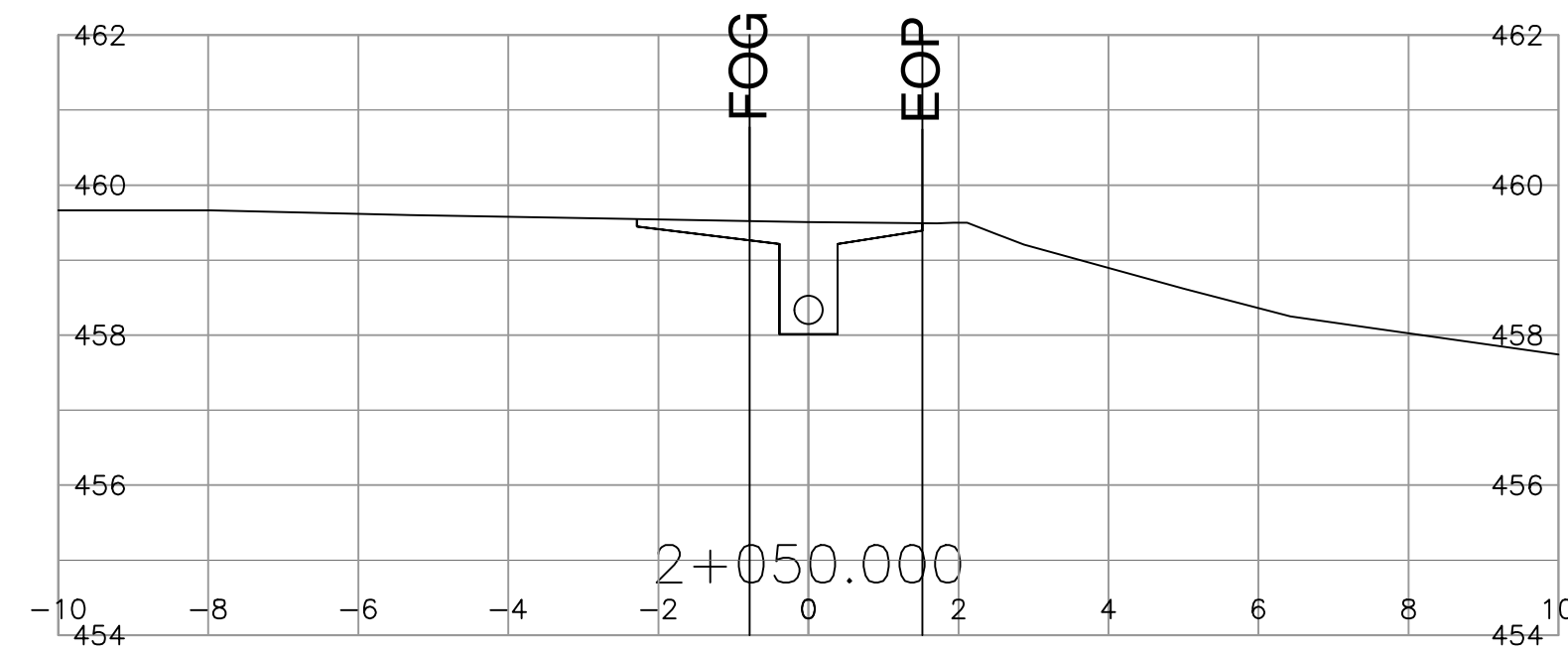
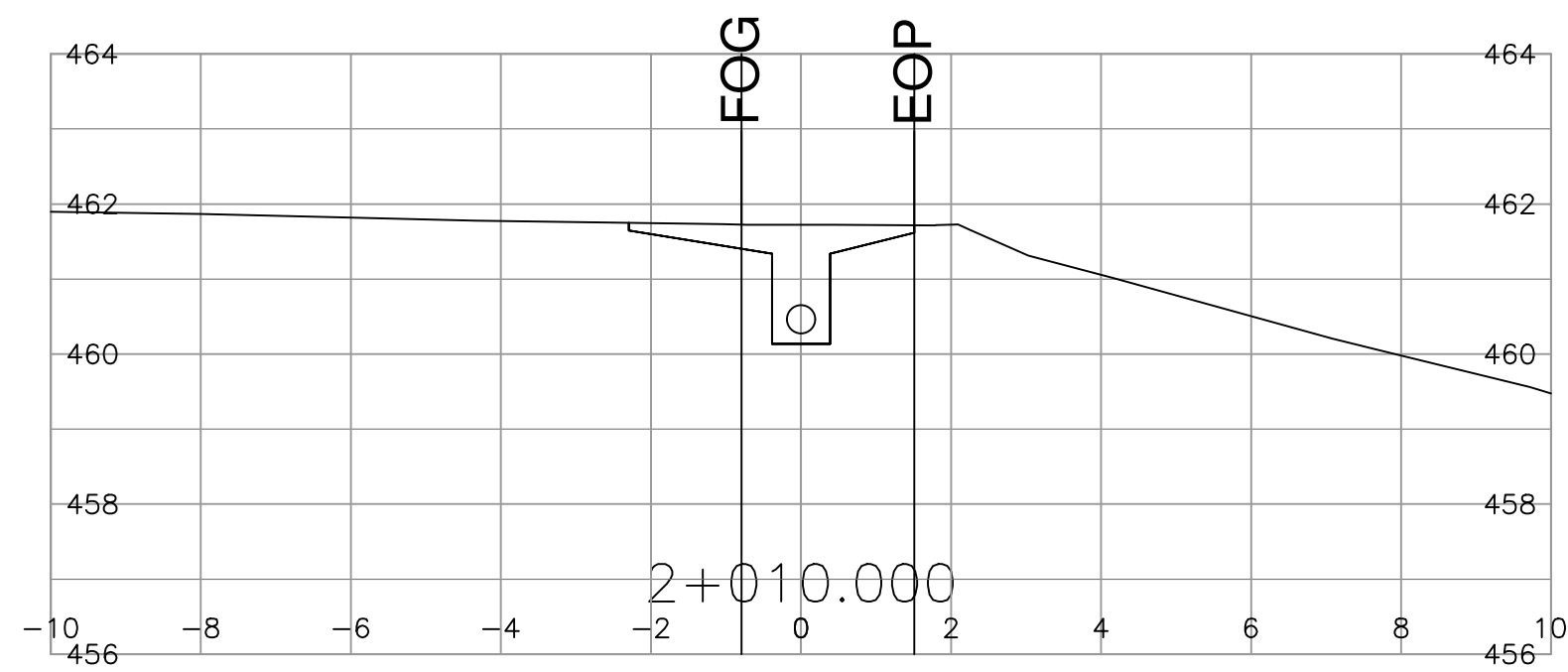
**MINISTRY OF TRANSPORTATION AND INFRASTRUCTURE**  
SOUTHERN INTERIOR REGION  
HIGHWAY ENGINEERING AND GEOMATICS

JENNA LEE P. ENG.  
SENIOR DESIGNER

DESIGNED J. LEE DATE 2018-01-11  
QUALITY CONTROL J. FITZGERALD DATE 2018-01-11  
QUALITY ASSURANCE S. KING DATE 2018-01-11  
DRAWN J. WHITE DATE 2018-01-11

**SECTIONS**  
HIGHWAY 97  
OYAMA DRAINAGE IMPROVEMENTS


FILE NUMBER 2809	PROJECT NUMBER 24191-0002	REG 2	DRAWING NUMBER R2-1015-1011	REV
---------------------	------------------------------	----------	--------------------------------	-----



SCALE 0 1 1:100 5m

CAD FILENAME R2-1015-1001-1033  
PLOT DATE 1/11/2018

REV	DATE	REVISIONS	NAME



MINISTRY OF TRANSPORTATION AND INFRASTRUCTURE  
SOUTHERN INTERIOR REGION  
HIGHWAY ENGINEERING AND GEOMATICS

JENNA LEE P. ENG.  
SENIOR DESIGNER

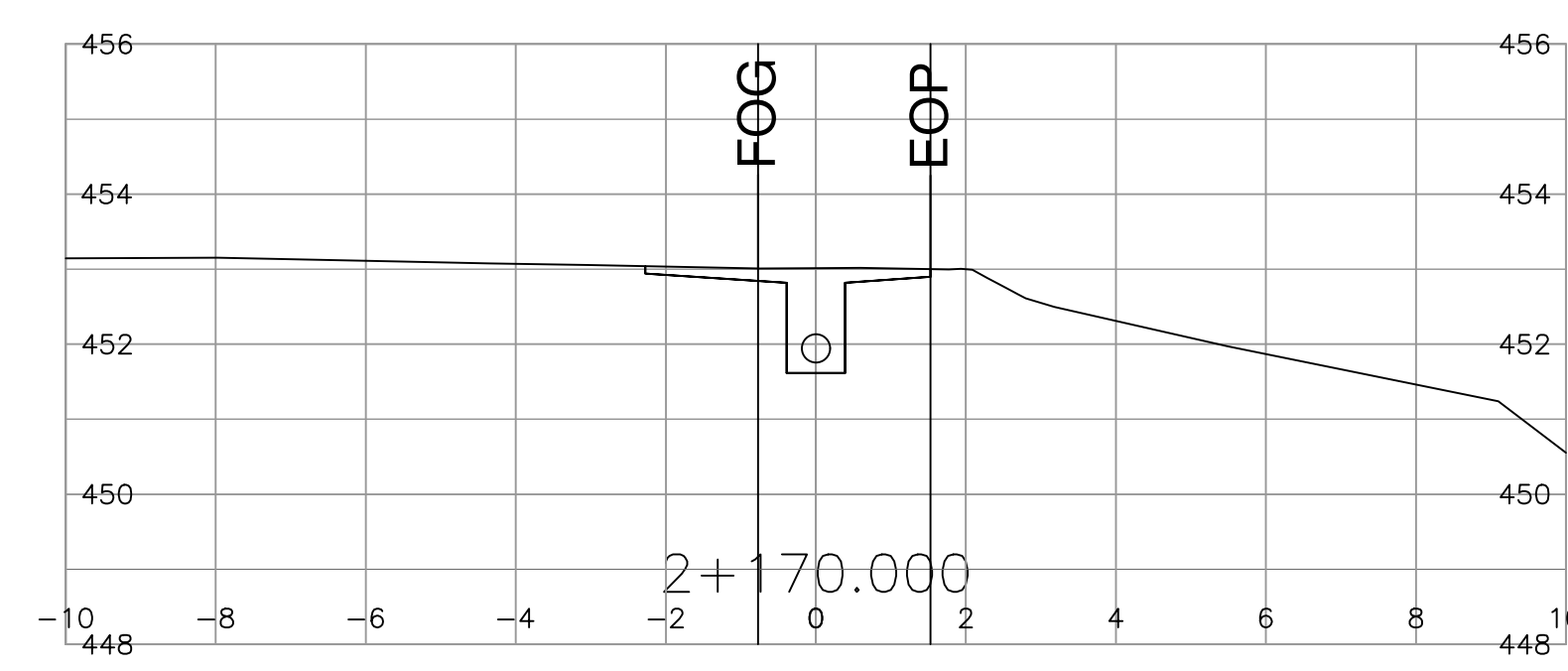
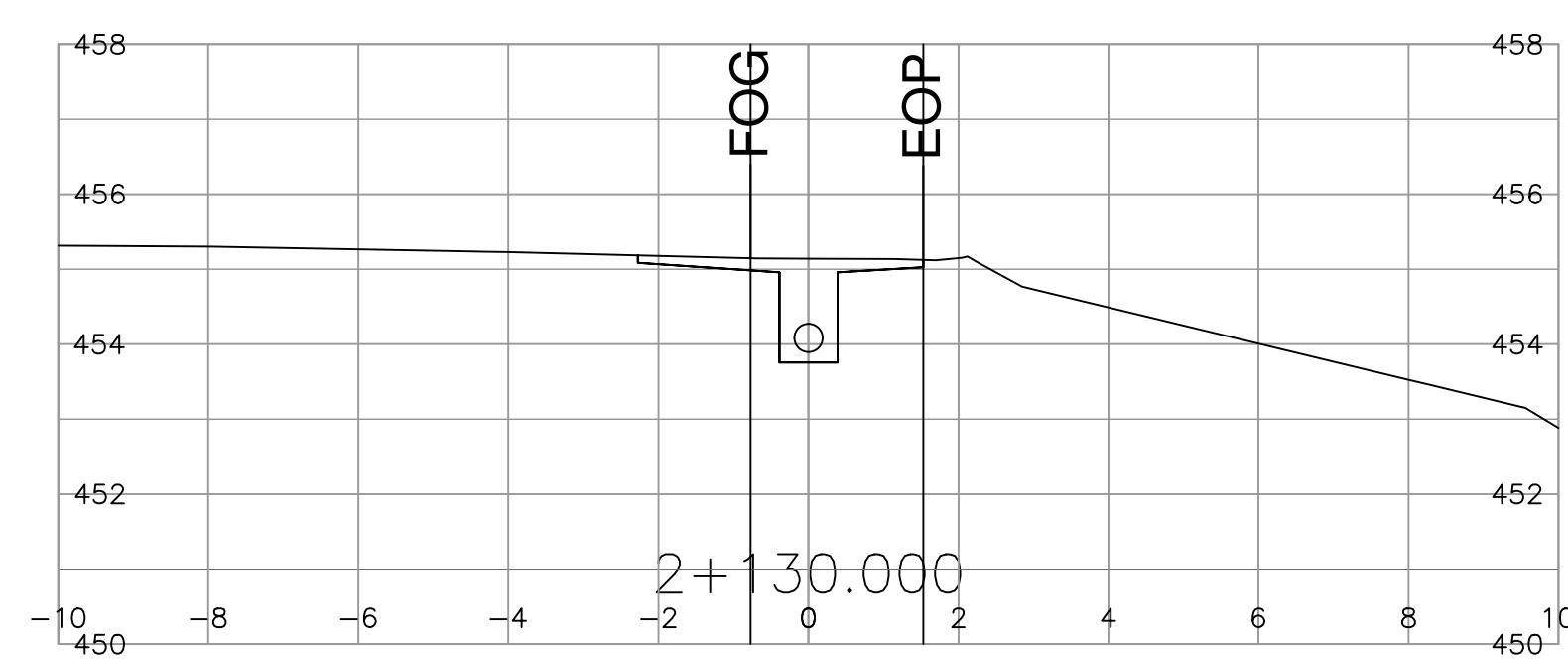
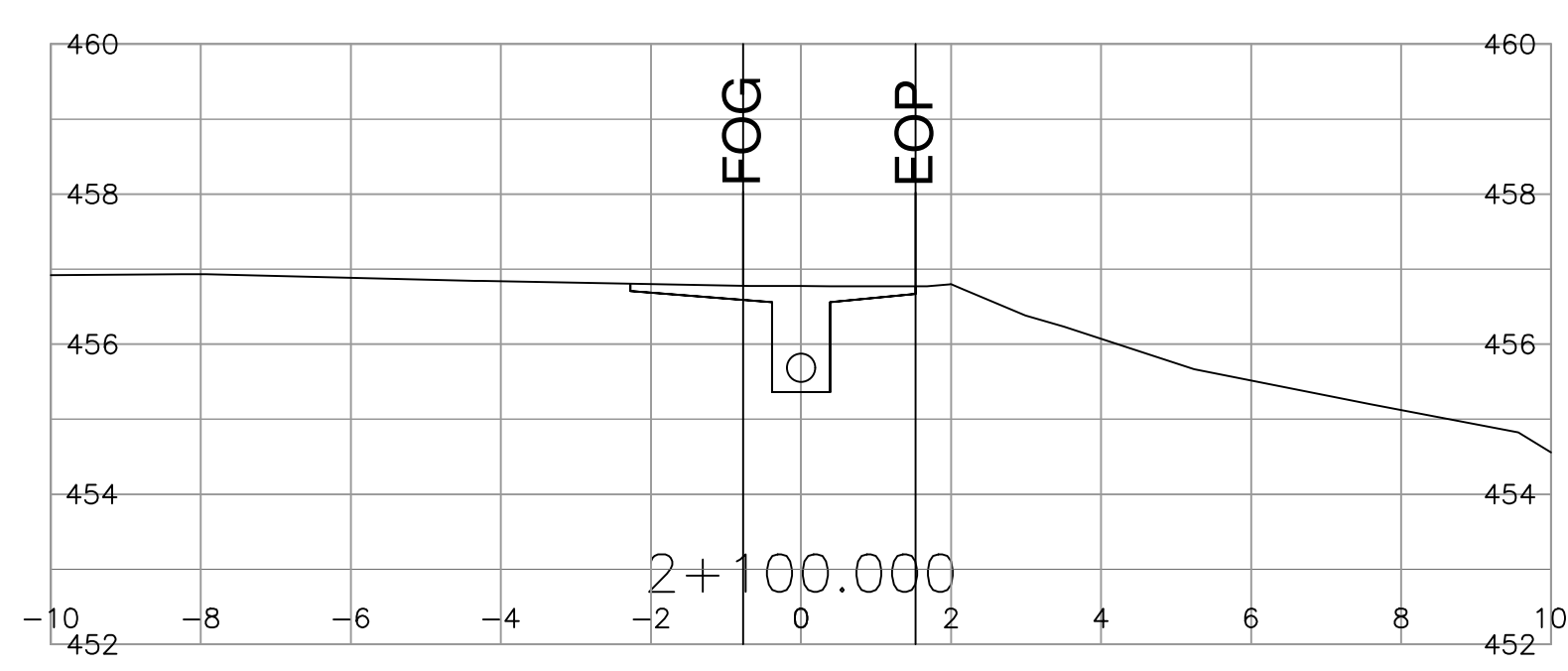
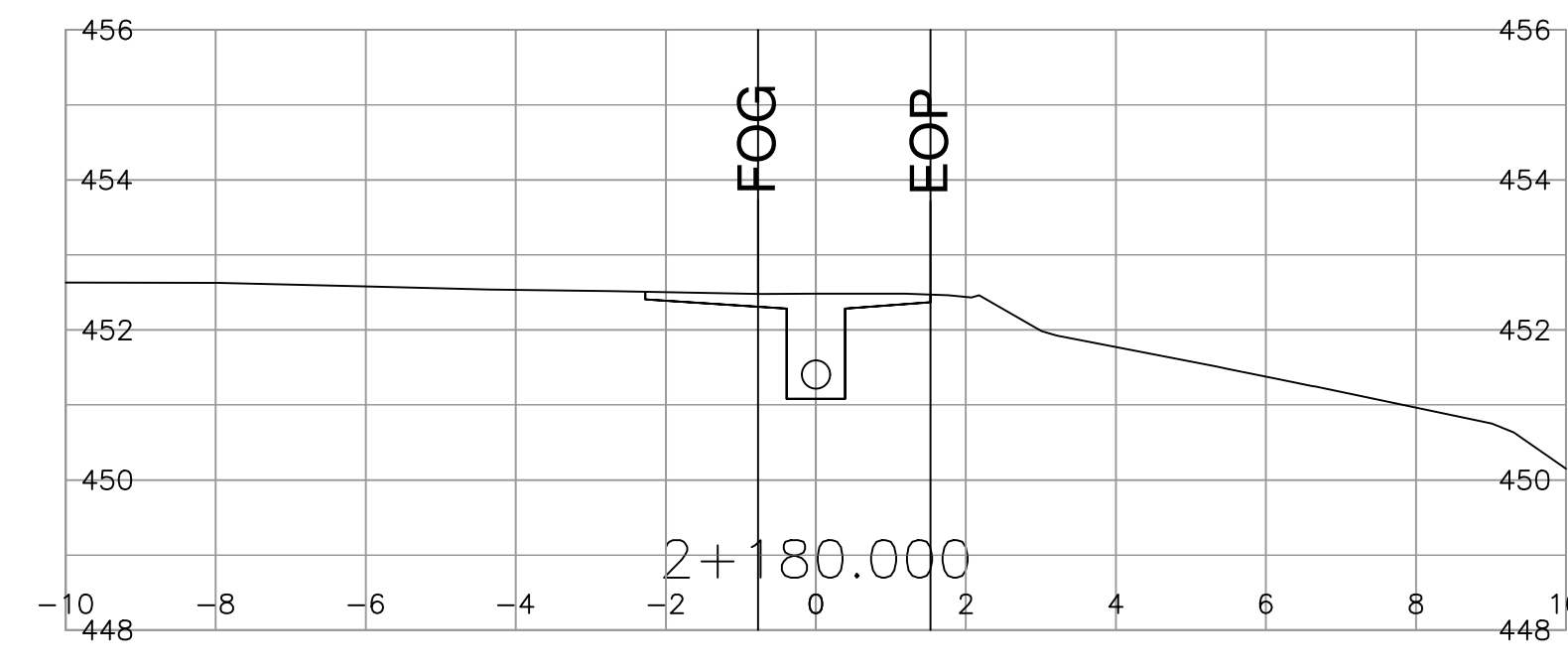
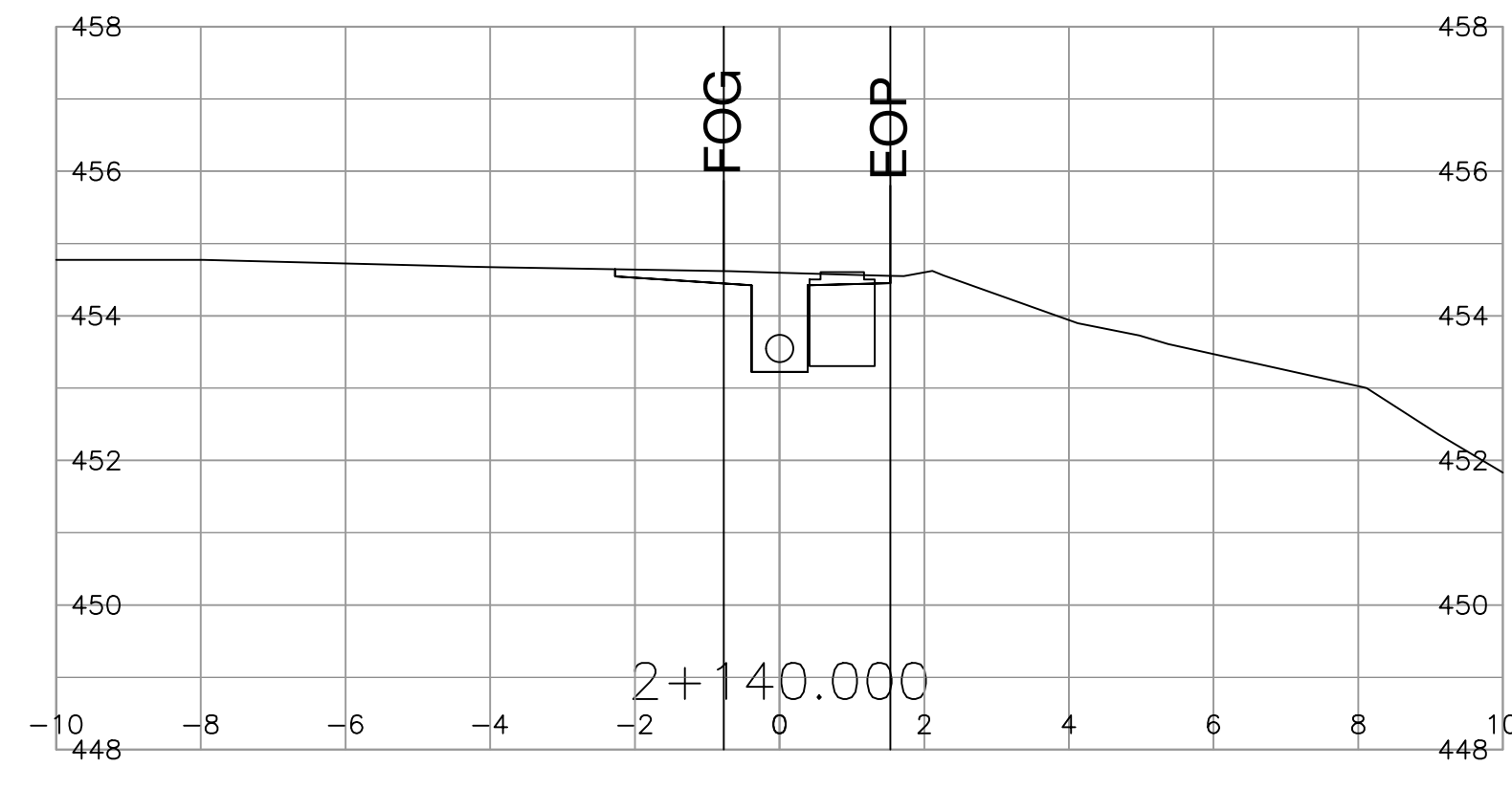
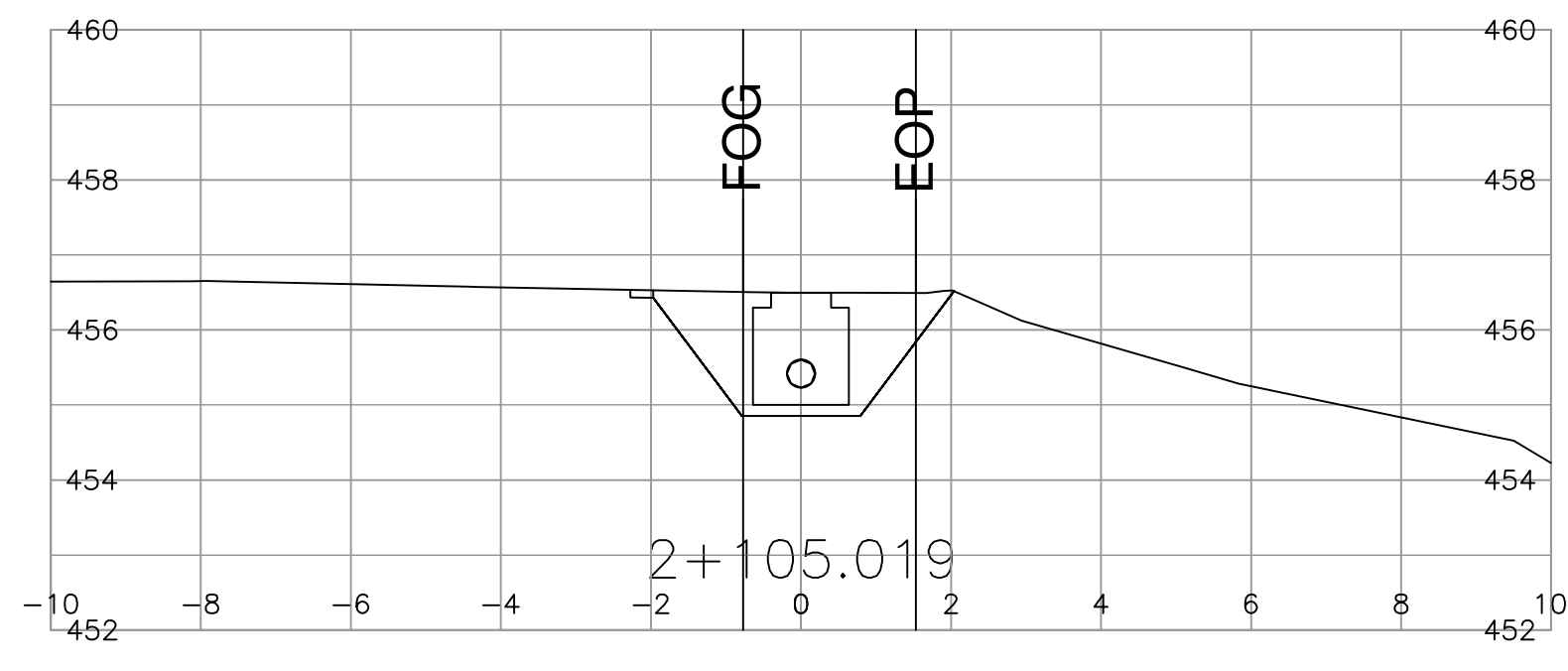
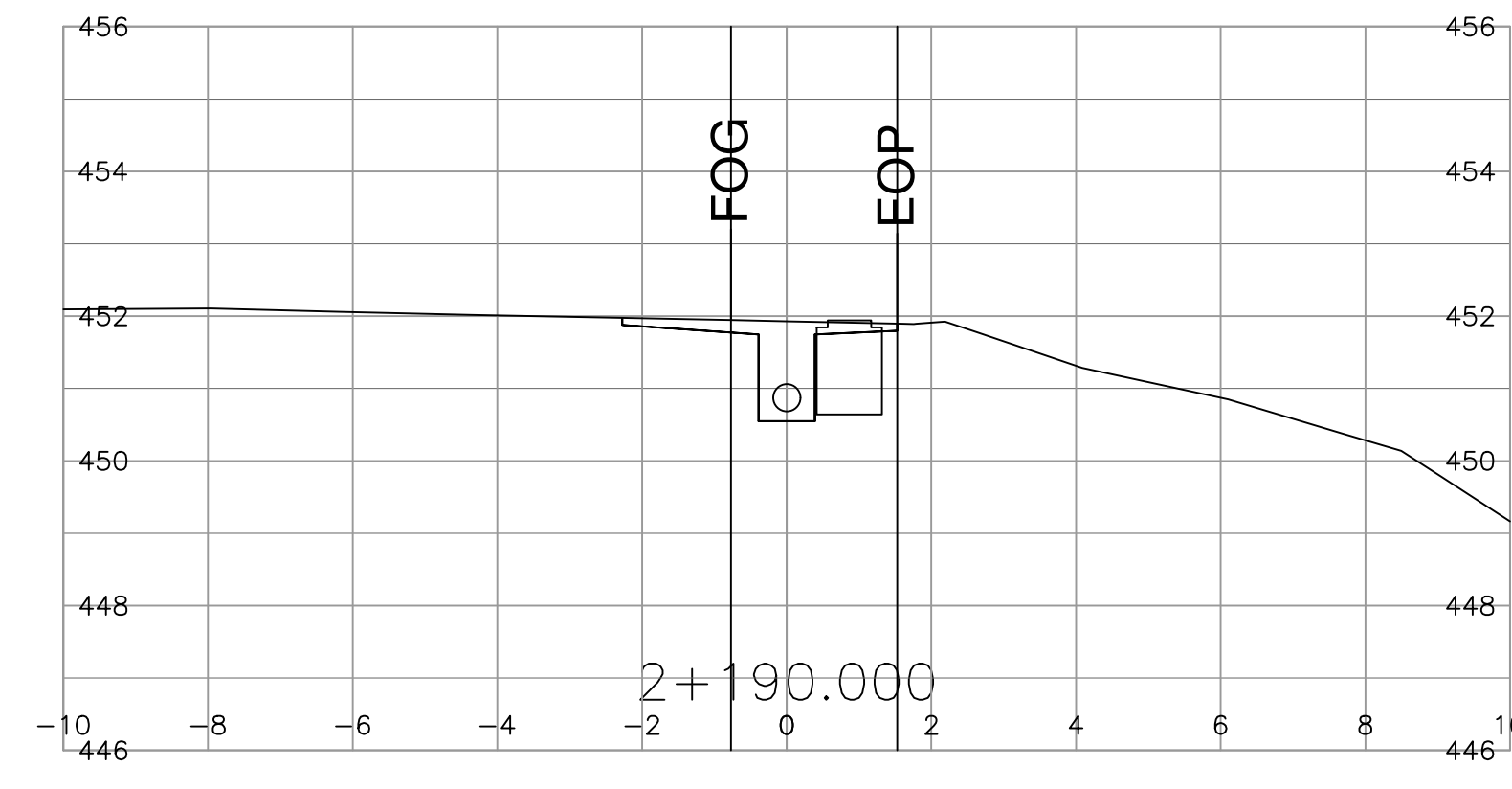
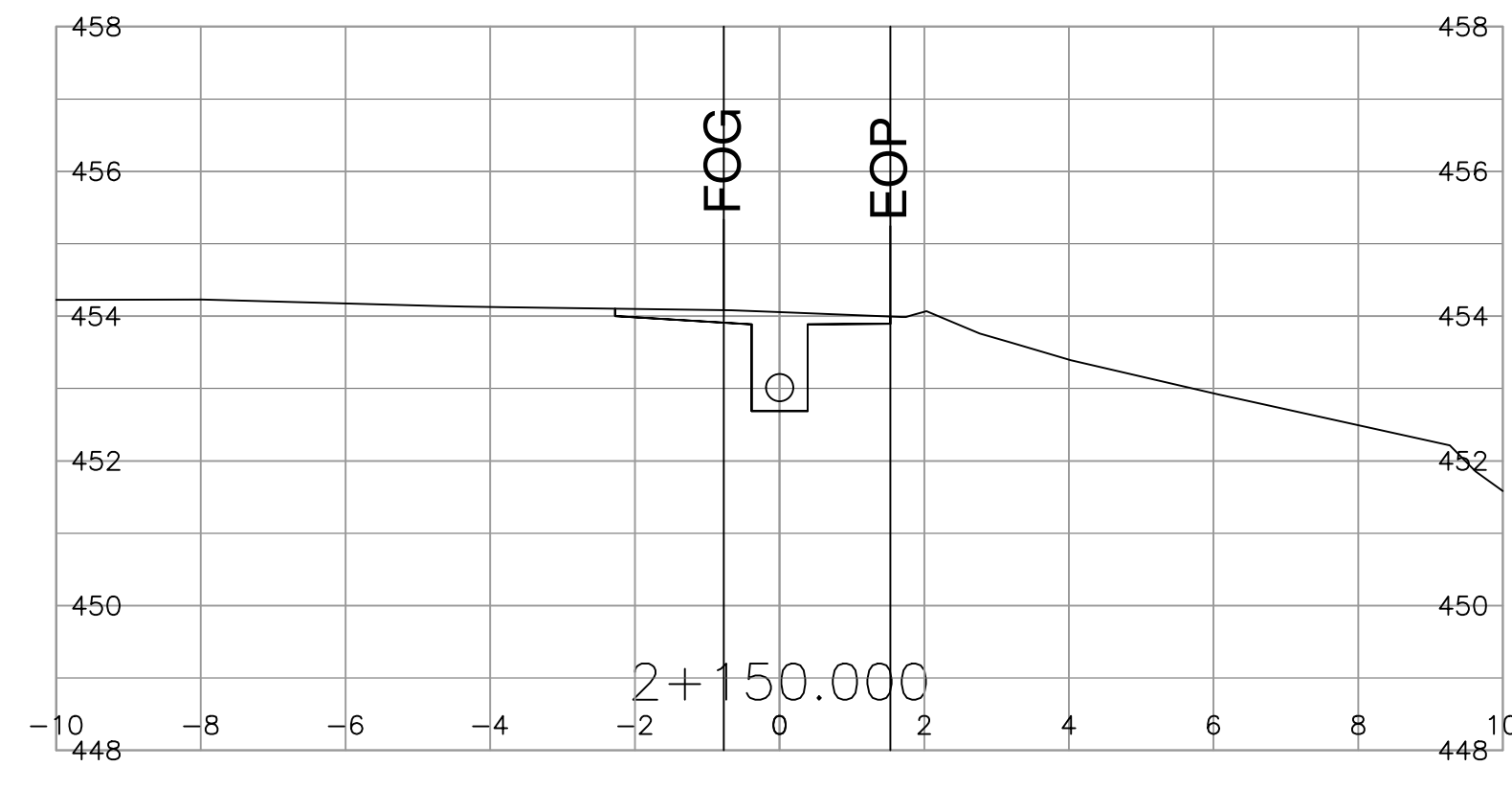
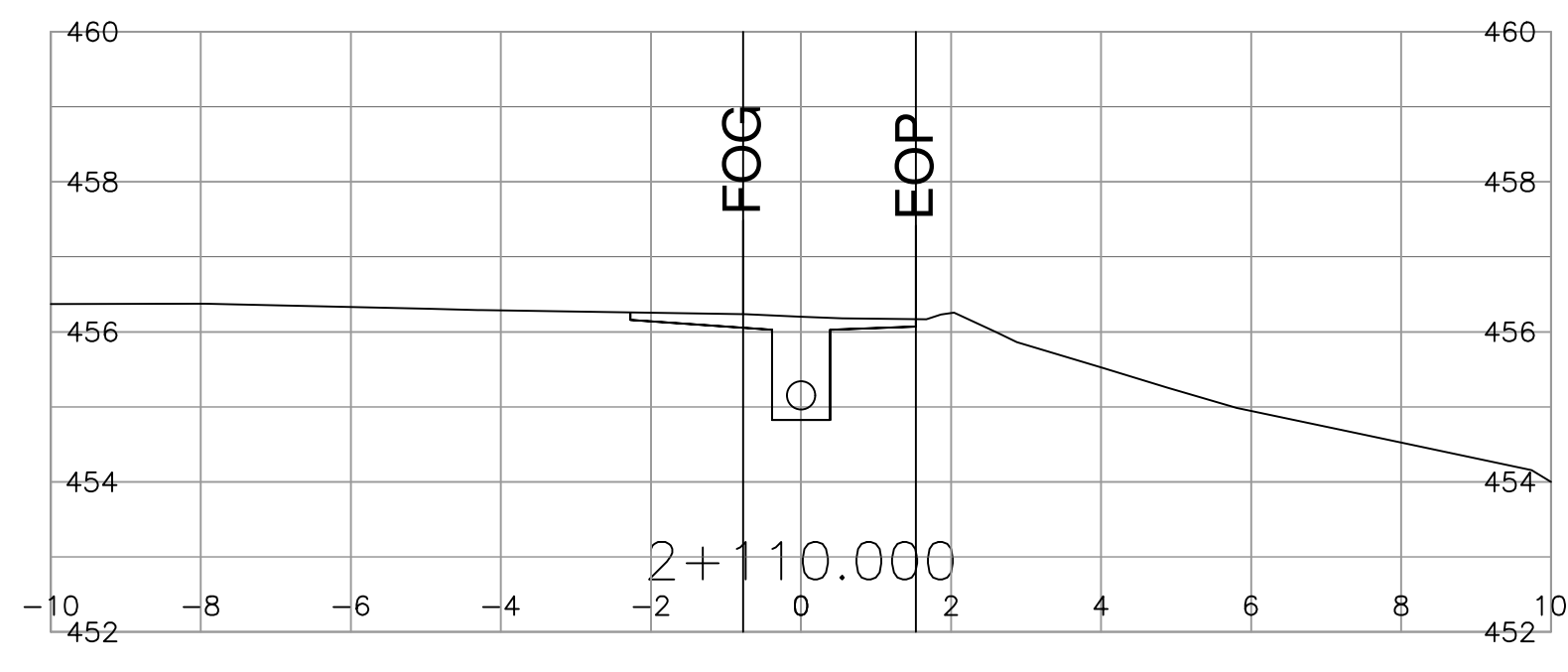
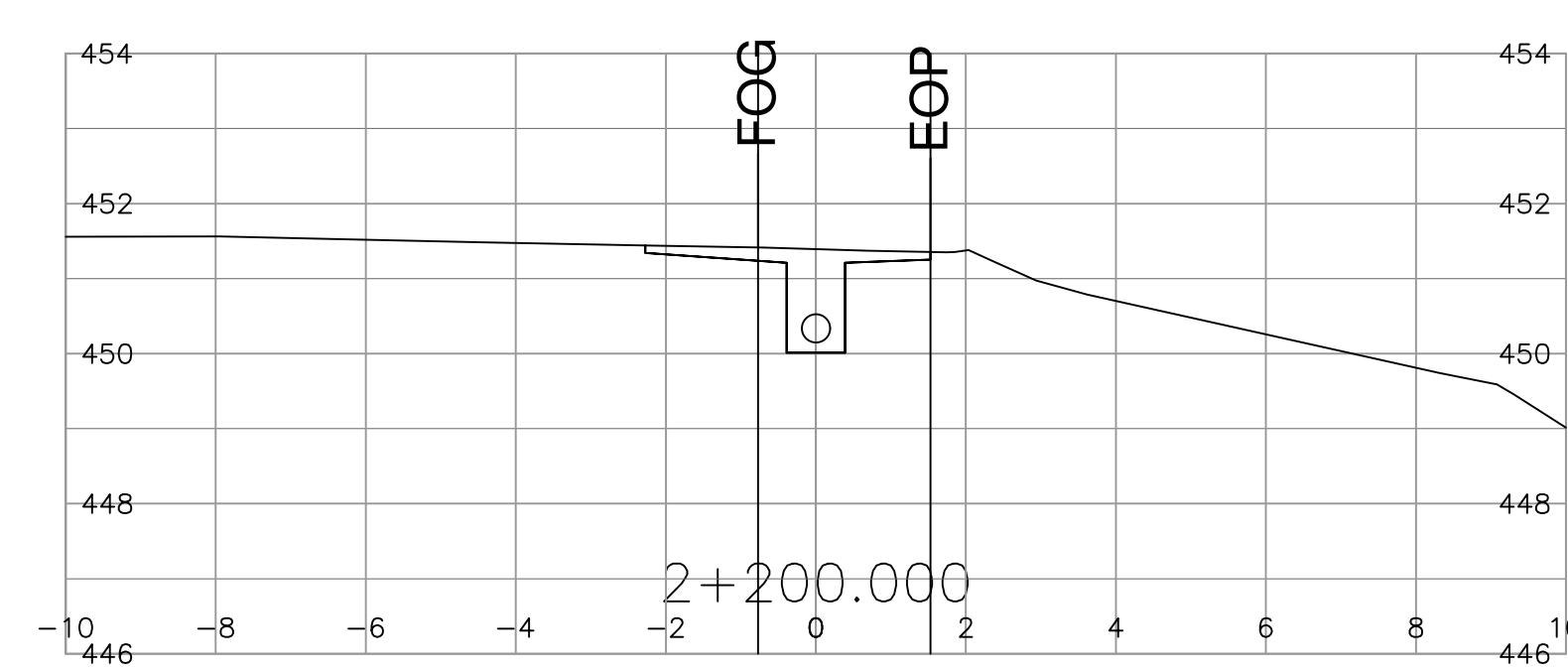
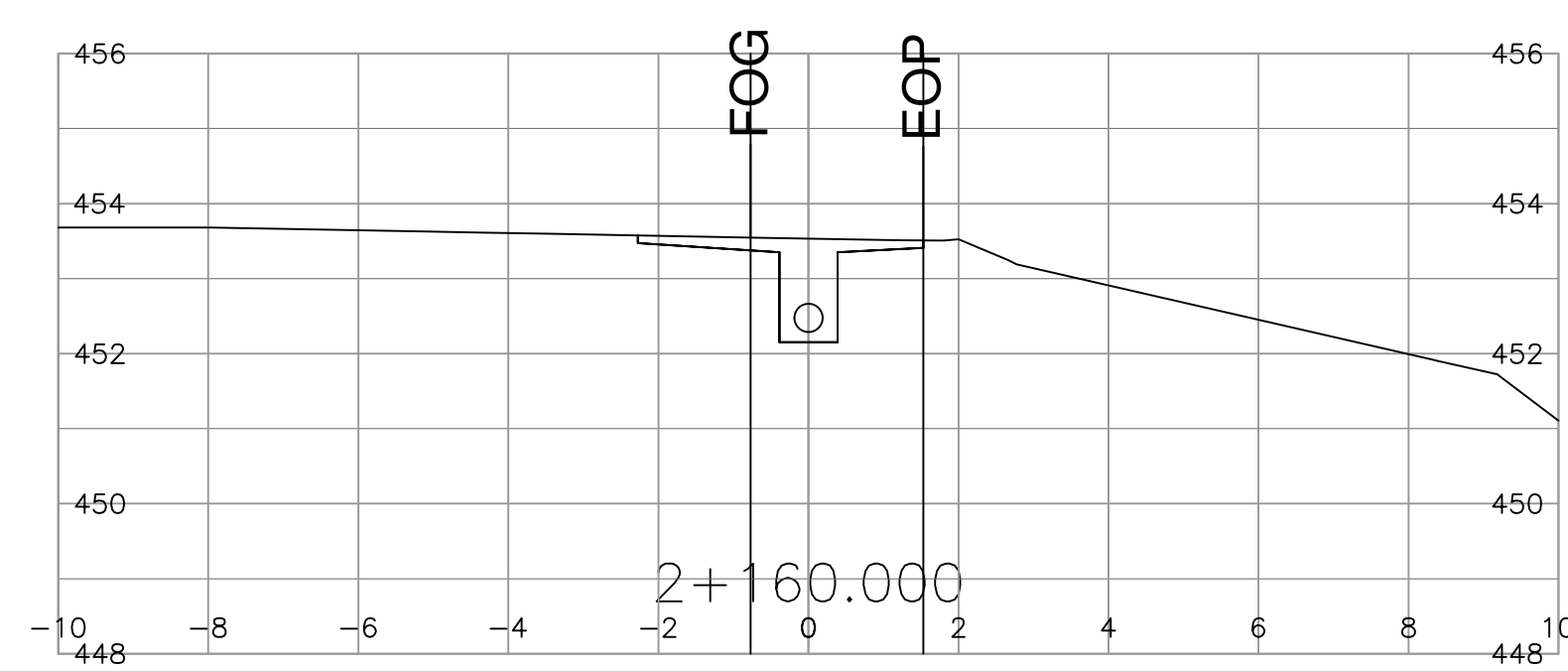
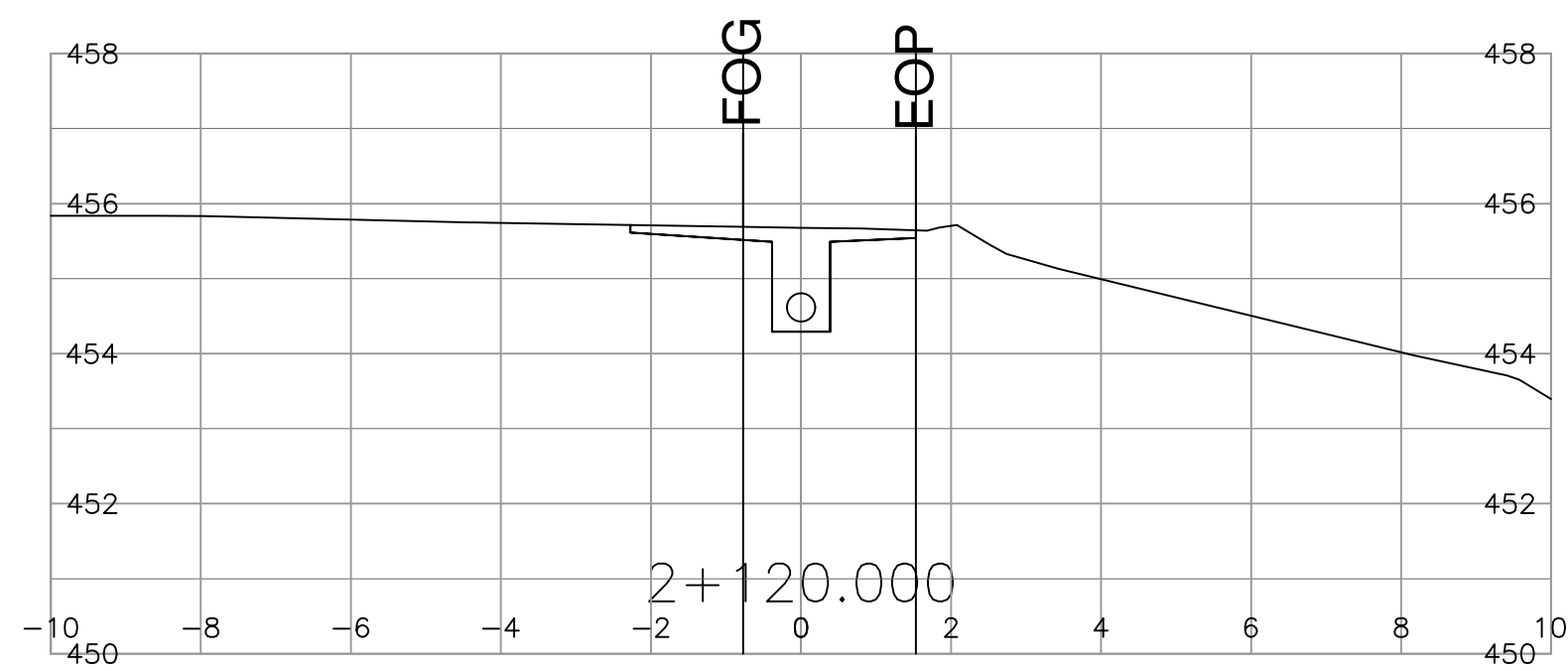
DESIGNED J. LEE DATE 2018-01-11  
QUALITY CONTROL J. FITZGERALD DATE 2018-01-11  
QUALITY ASSURANCE S. KING DATE 2018-01-11  
DRAWN J. WHITE DATE 2018-01-11

DATE 2018-01-11

SECTIONS  
HIGHWAY 97  
OYAMA DRAINAGE IMPROVEMENTS

FILE NUMBER 2809	PROJECT NUMBER 24191-0002	REG 2	DRAWING NUMBER R2-1015-1012	REV
---------------------	------------------------------	----------	--------------------------------	-----






SCALE 0 1 1:100 5m

CAD FILENAME R2-1015-1001-1033  
PLOT DATE 1/11/2018

REV	DATE	REVISIONS	NAME



**MINISTRY OF TRANSPORTATION AND INFRASTRUCTURE**  
SOUTHERN INTERIOR REGION  
HIGHWAY ENGINEERING AND GEOMATICS

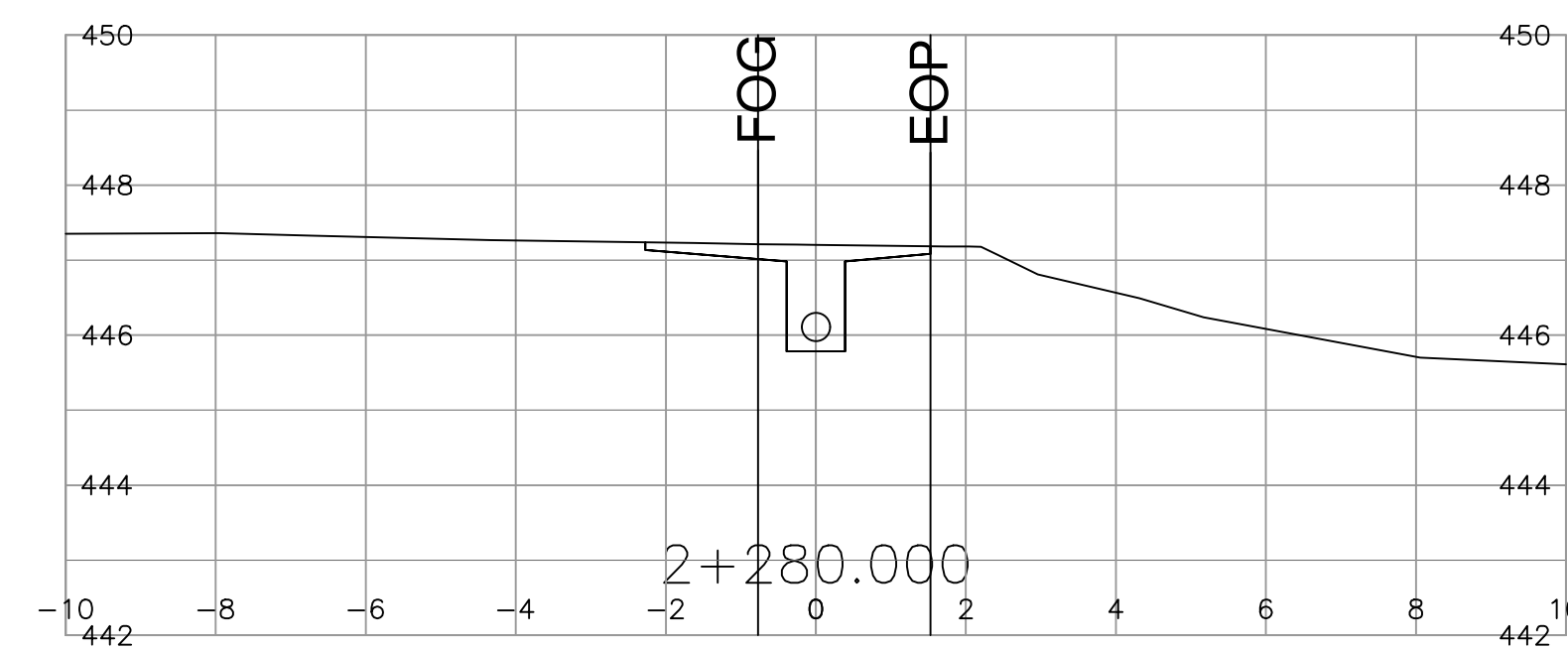
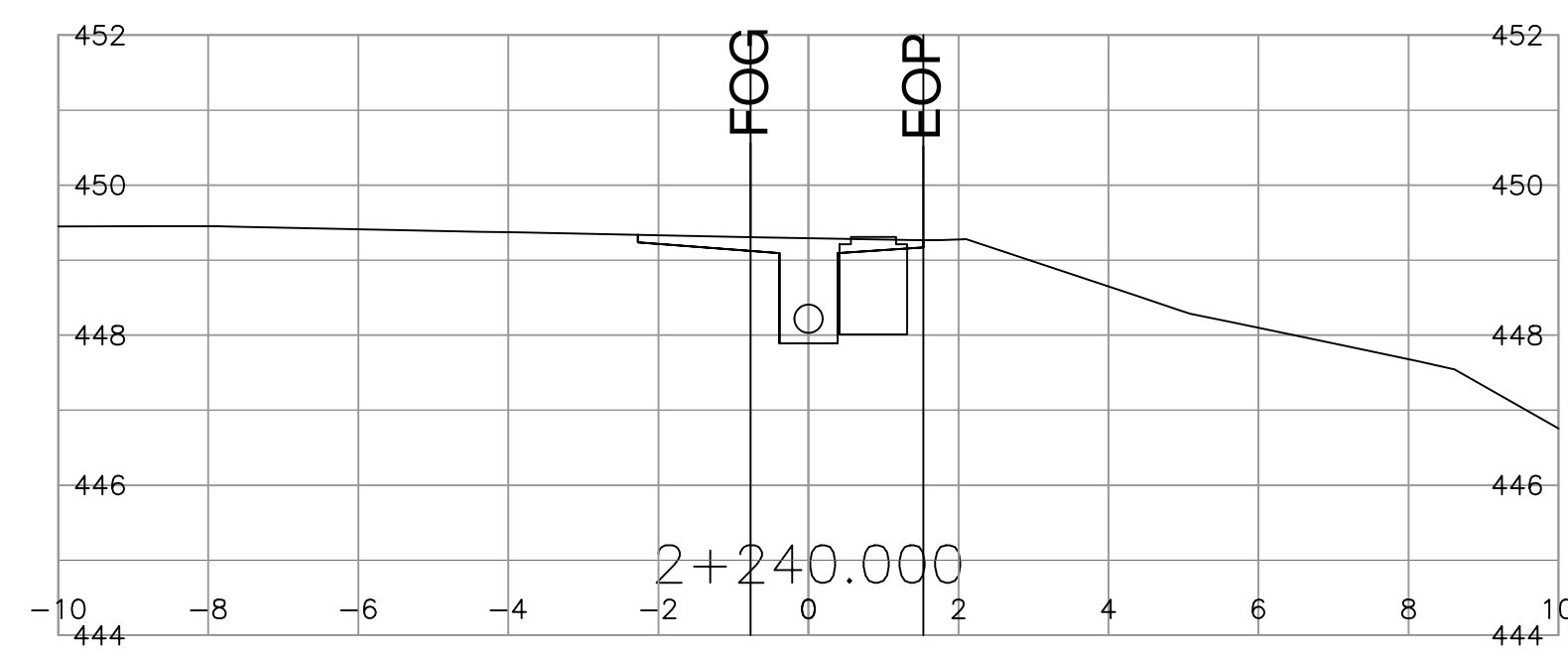
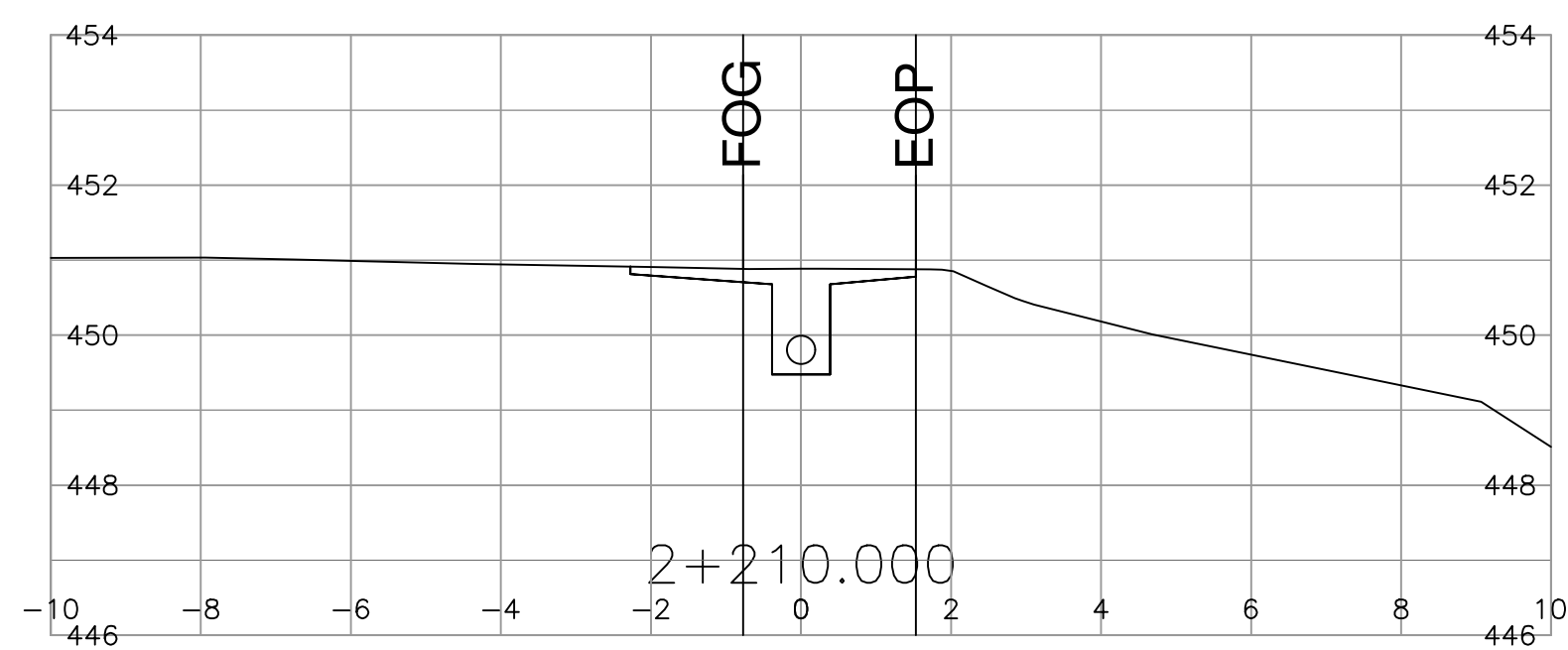
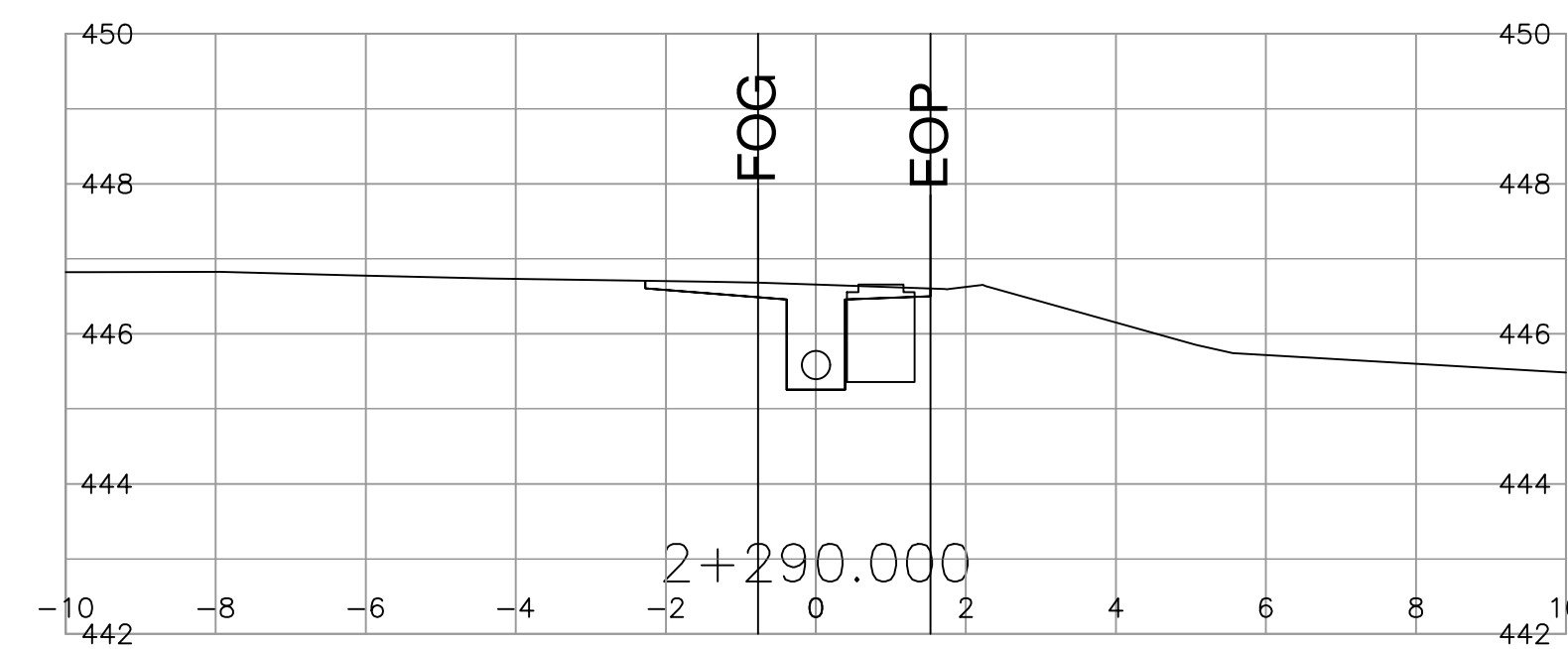
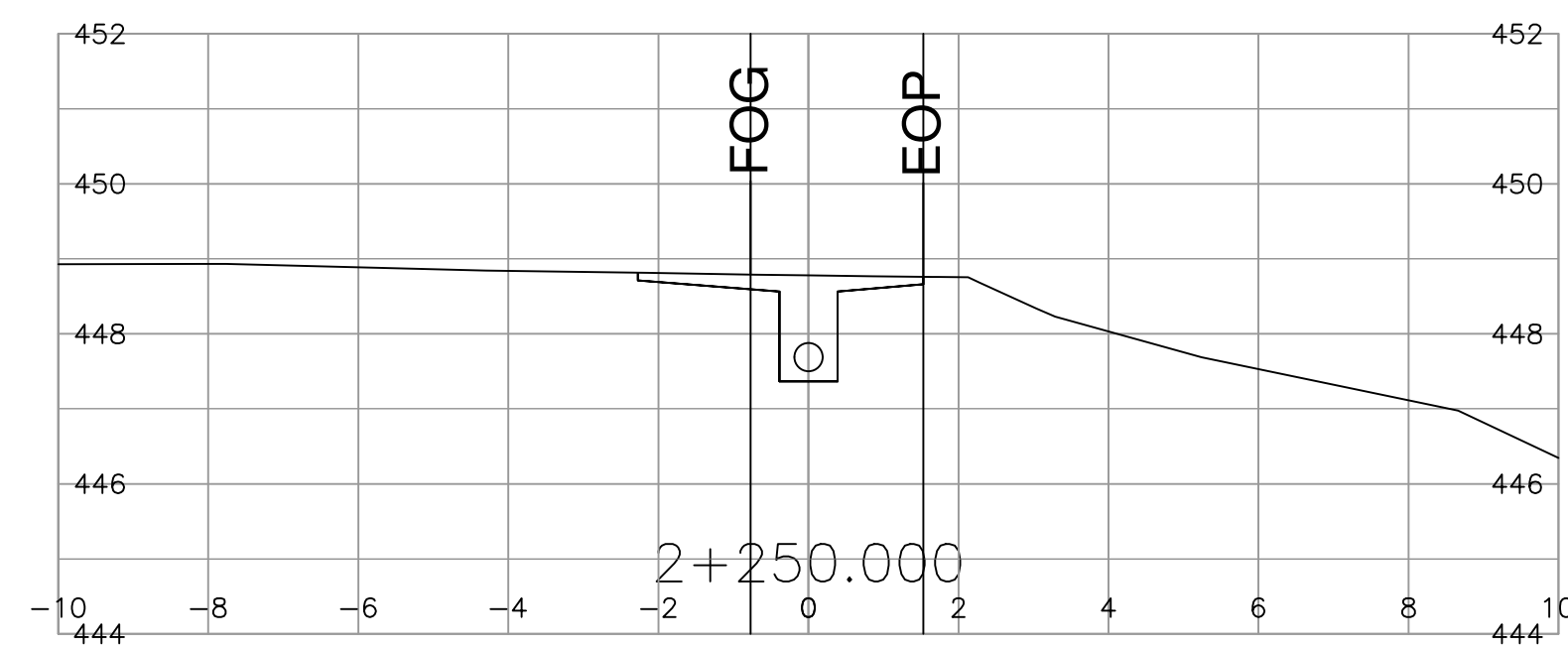
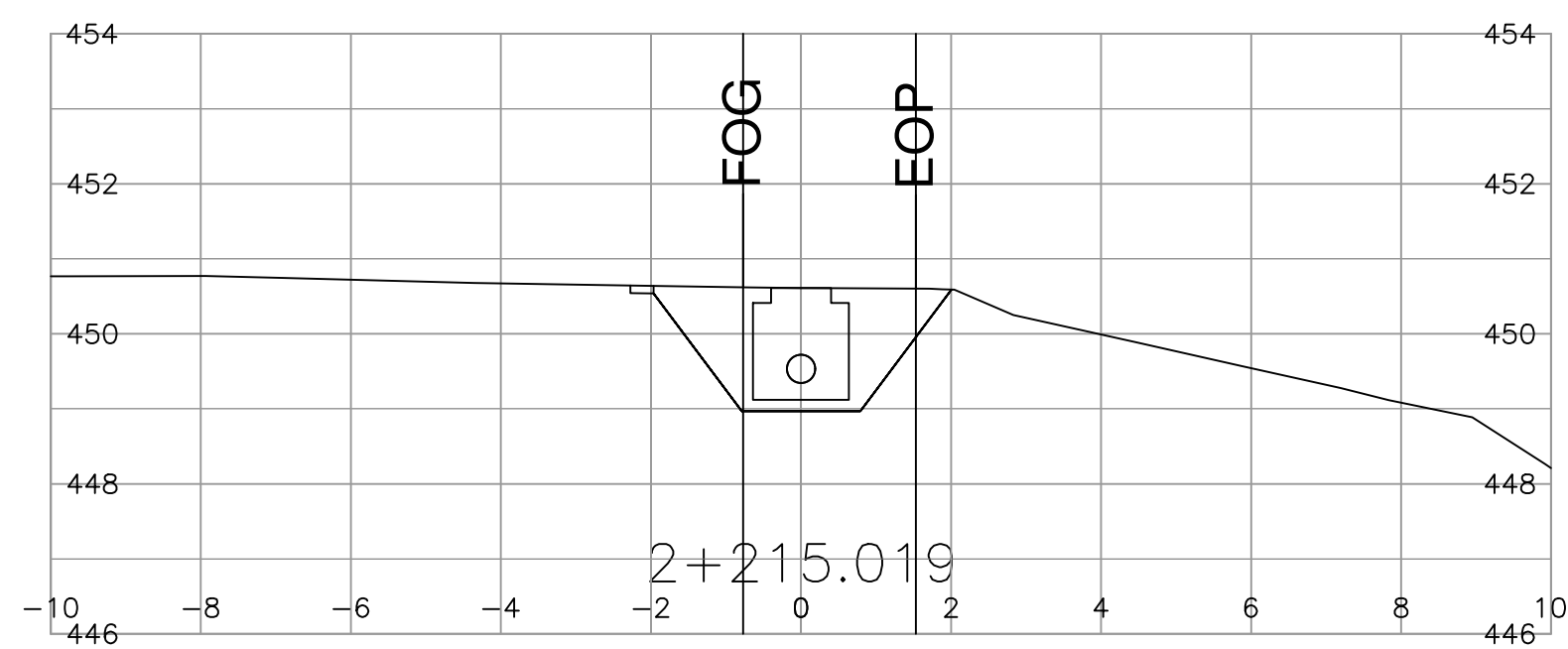
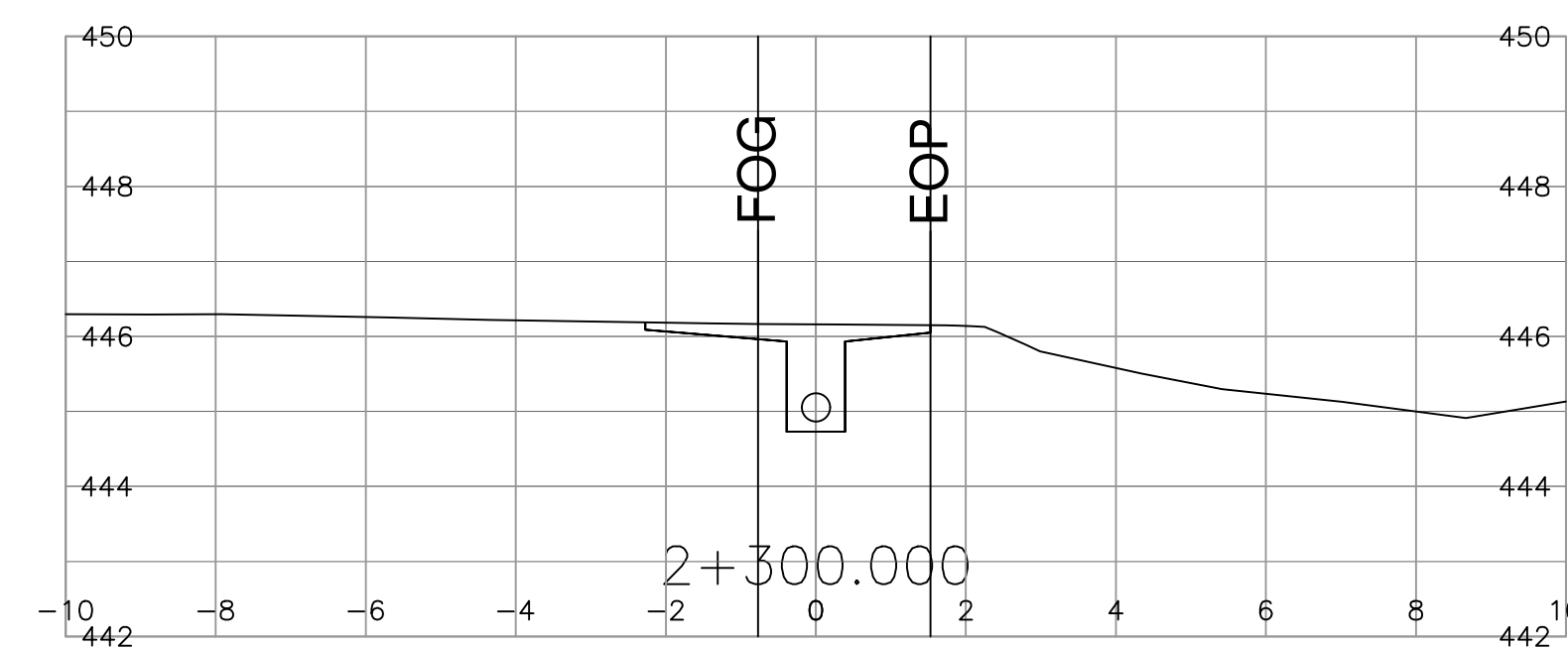
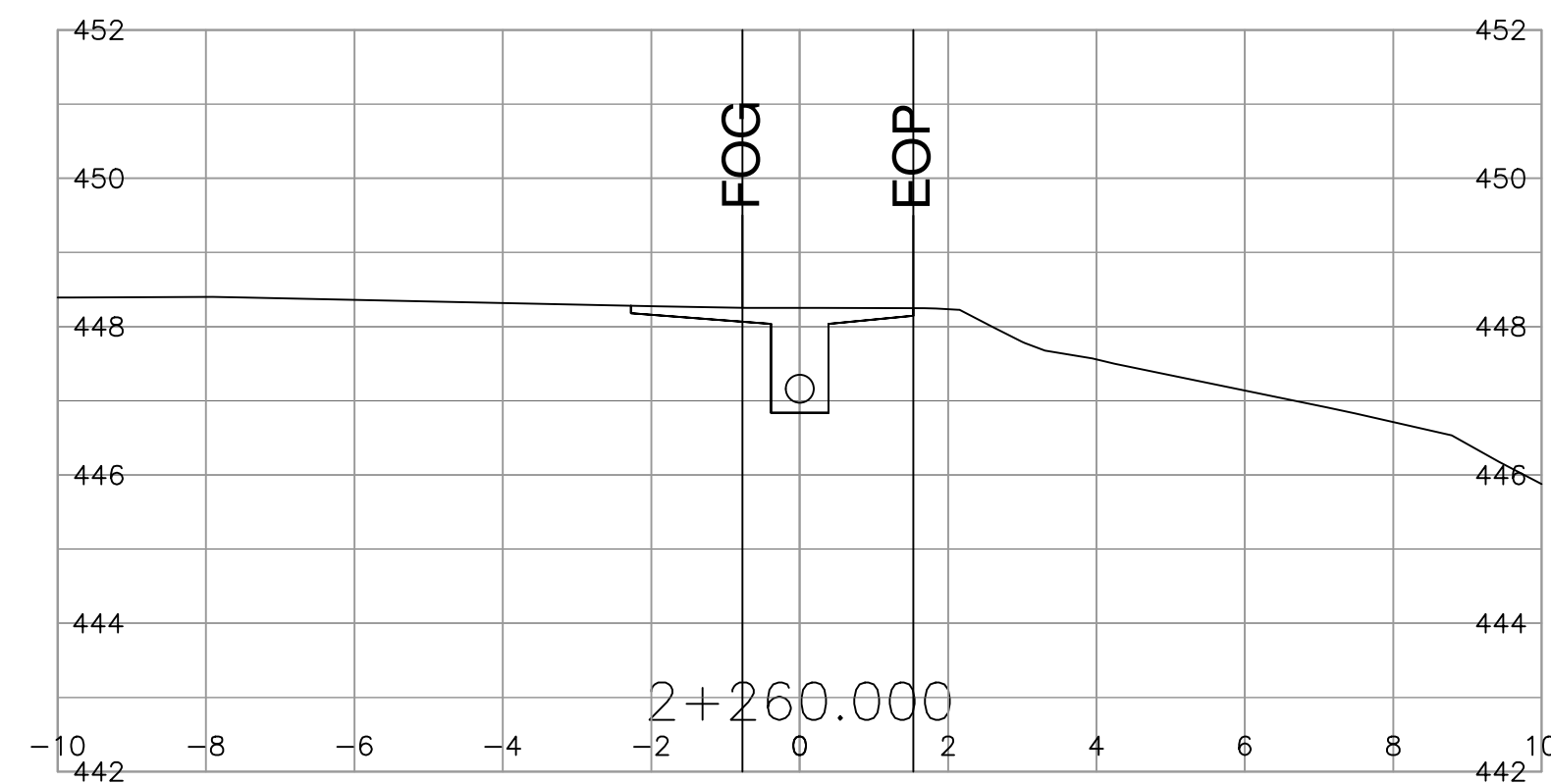
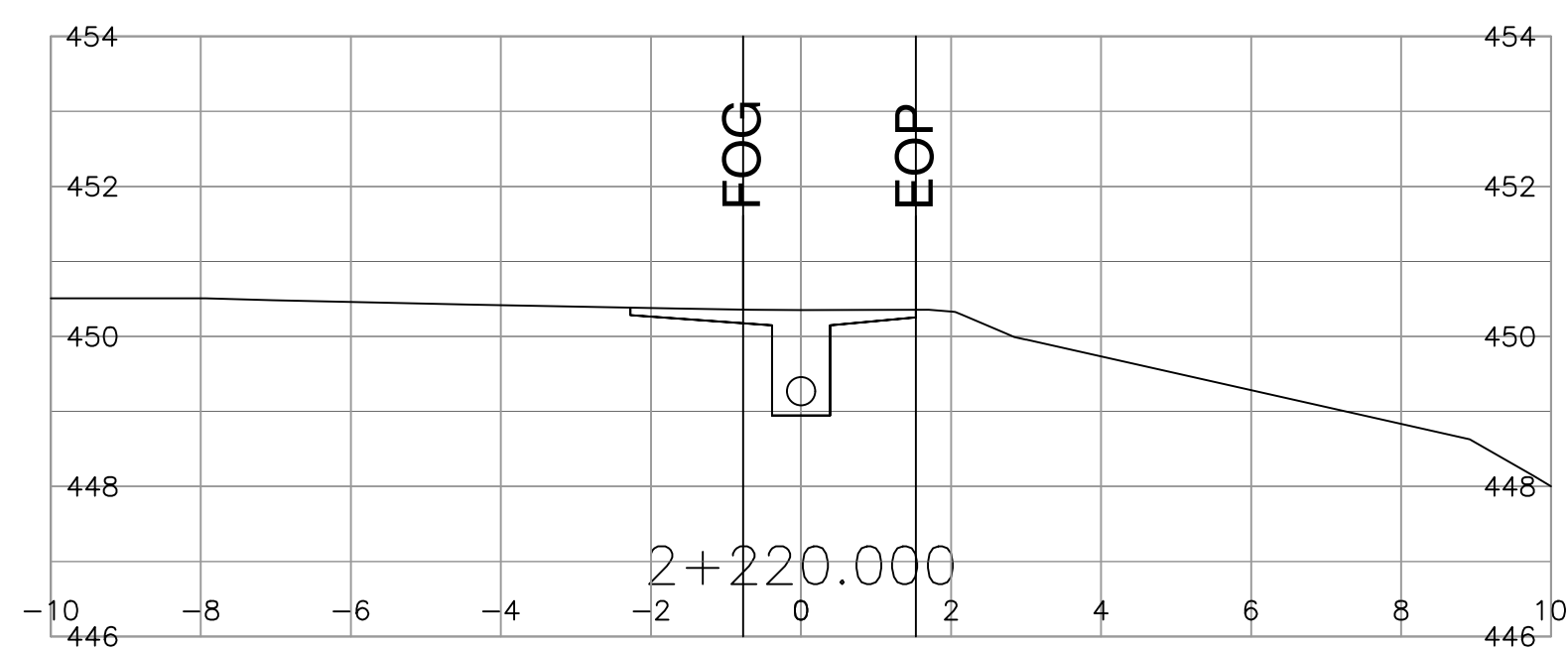
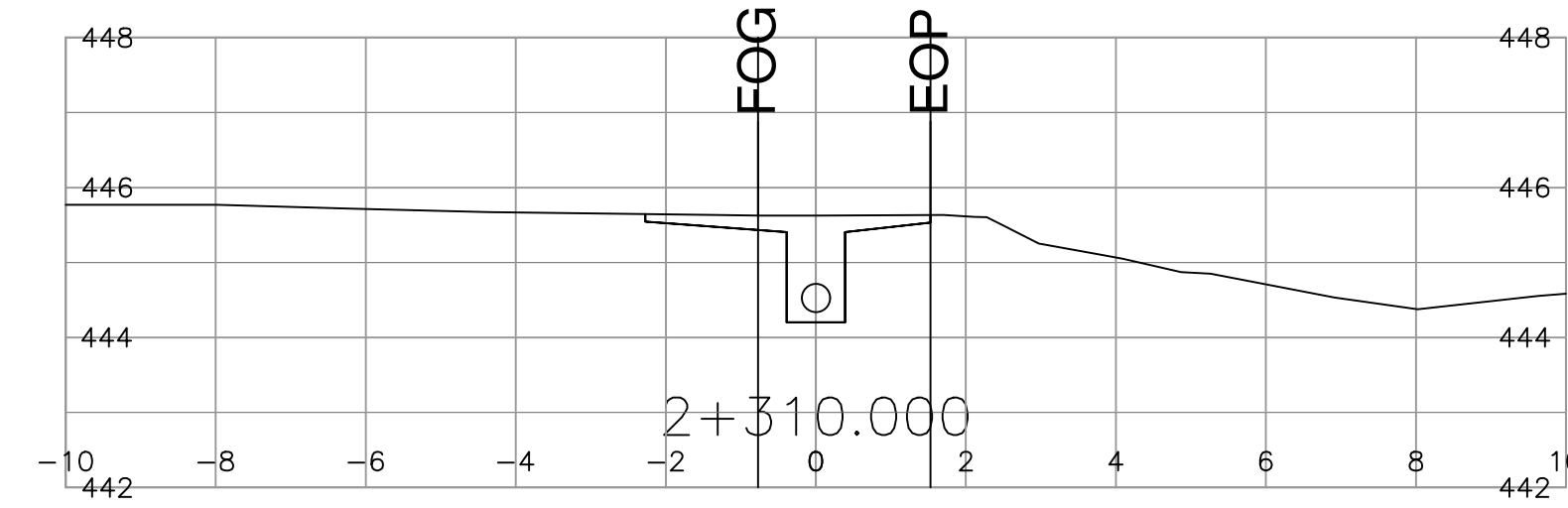
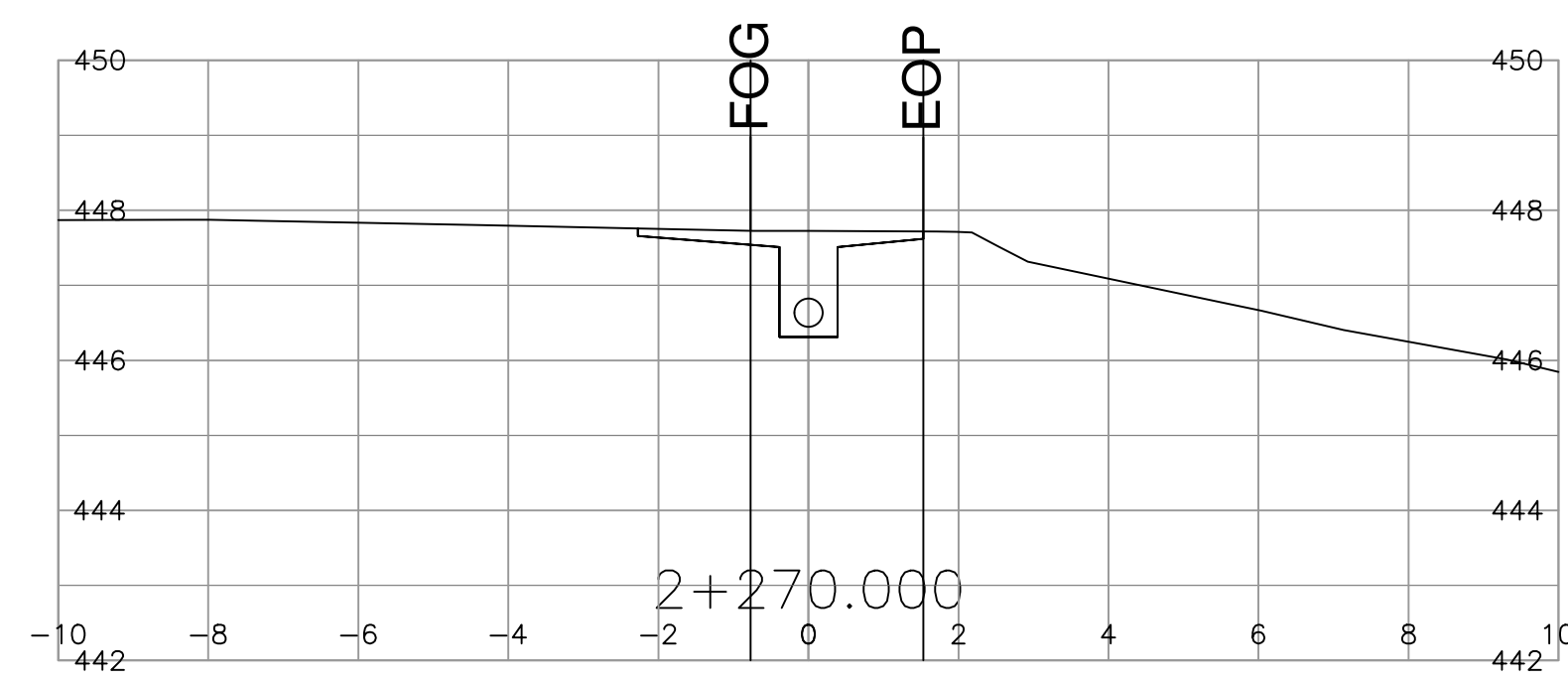
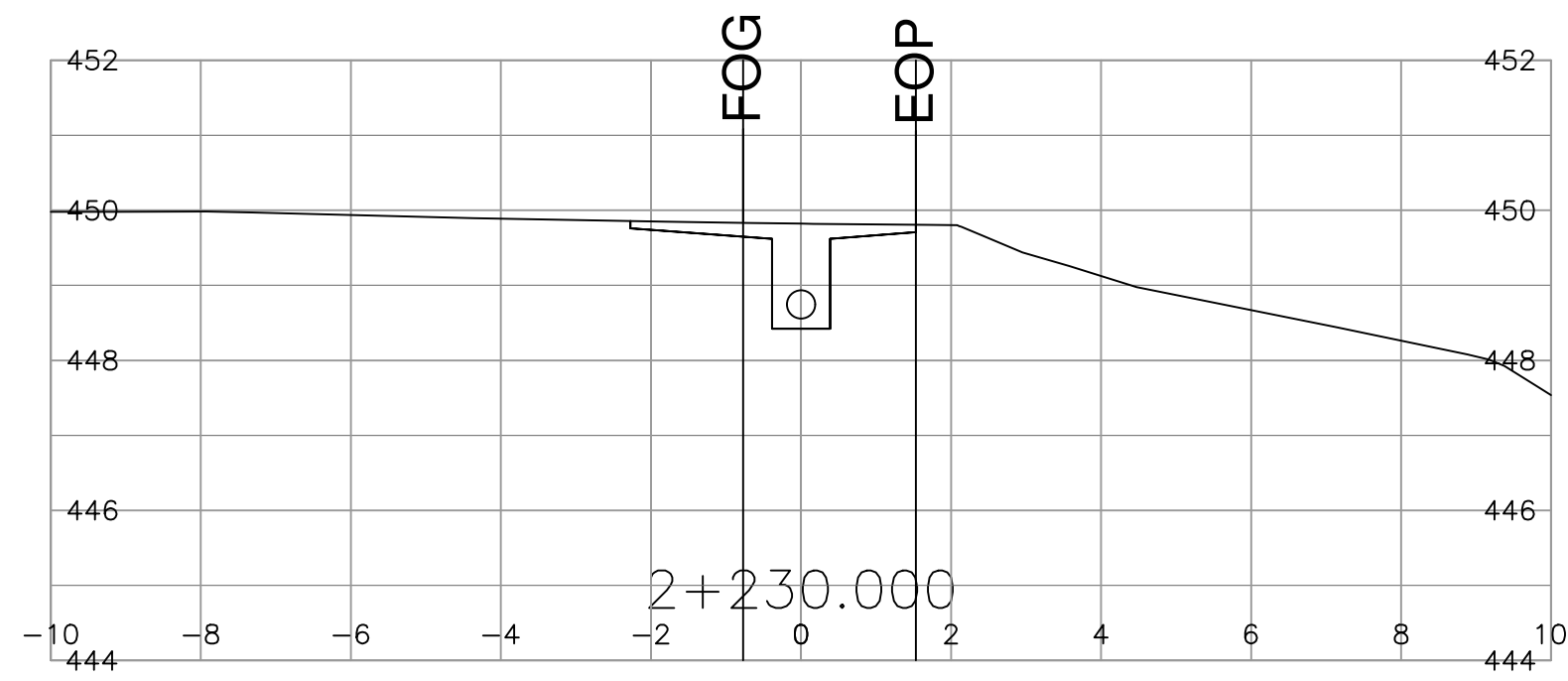
JENNA LEE P. ENG.  
SENIOR DESIGNER

DESIGNED J. LEE DATE 2018-01-11  
QUALITY CONTROL J. FITZGERALD DATE 2018-01-11  
QUALITY ASSURANCE S. KING DATE 2018-01-11  
DRAWN J. WHITE DATE 2018-01-11

DATE 2018-01-11

**SECTIONS**  
HIGHWAY 97  
OYAMA DRAINAGE IMPROVEMENTS


FILE NUMBER 2809	PROJECT NUMBER 24191-0002	REG 2	DRAWING NUMBER R2-1015-1013	REV
---------------------	------------------------------	----------	--------------------------------	-----



SCALE 0 1 1:100 5m

CAD FILENAME R2-1015-1001-1033  
PLOT DATE 1/11/2018

REV	DATE	REVISIONS	NAME



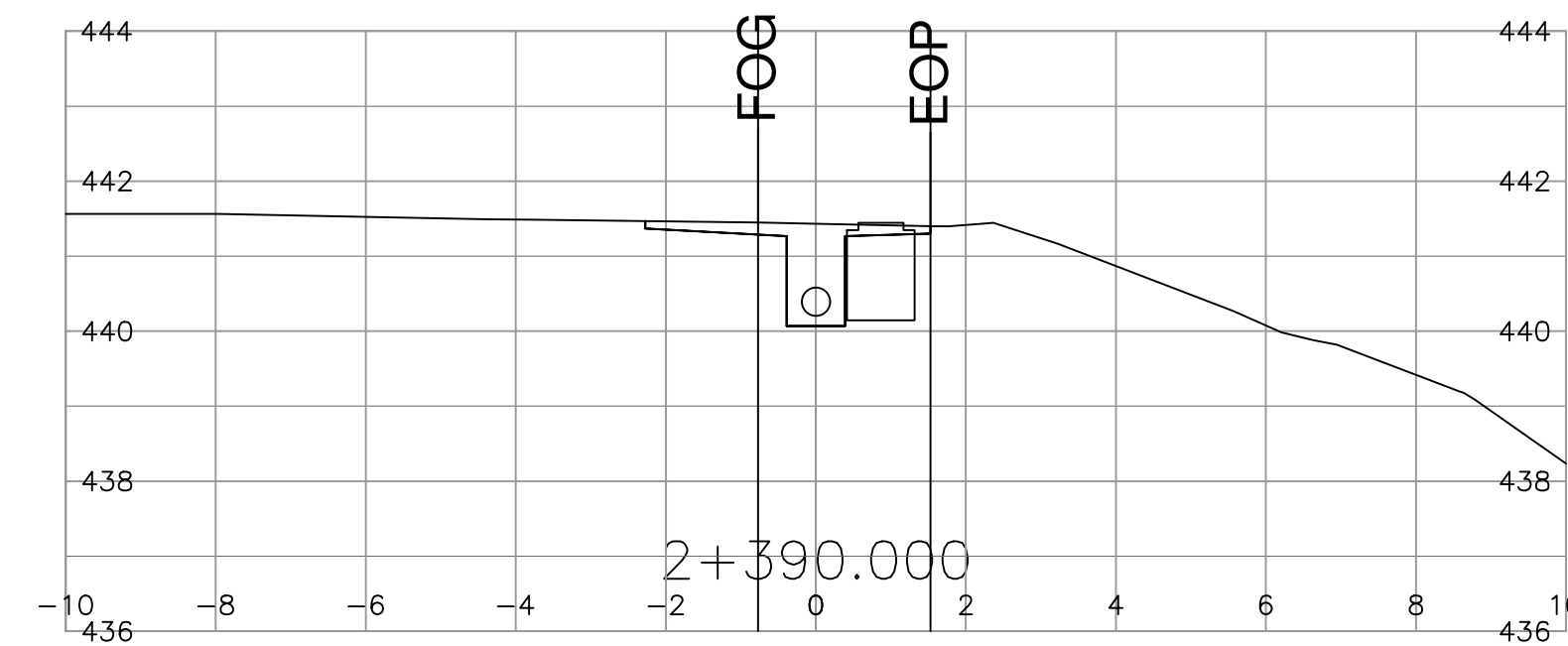
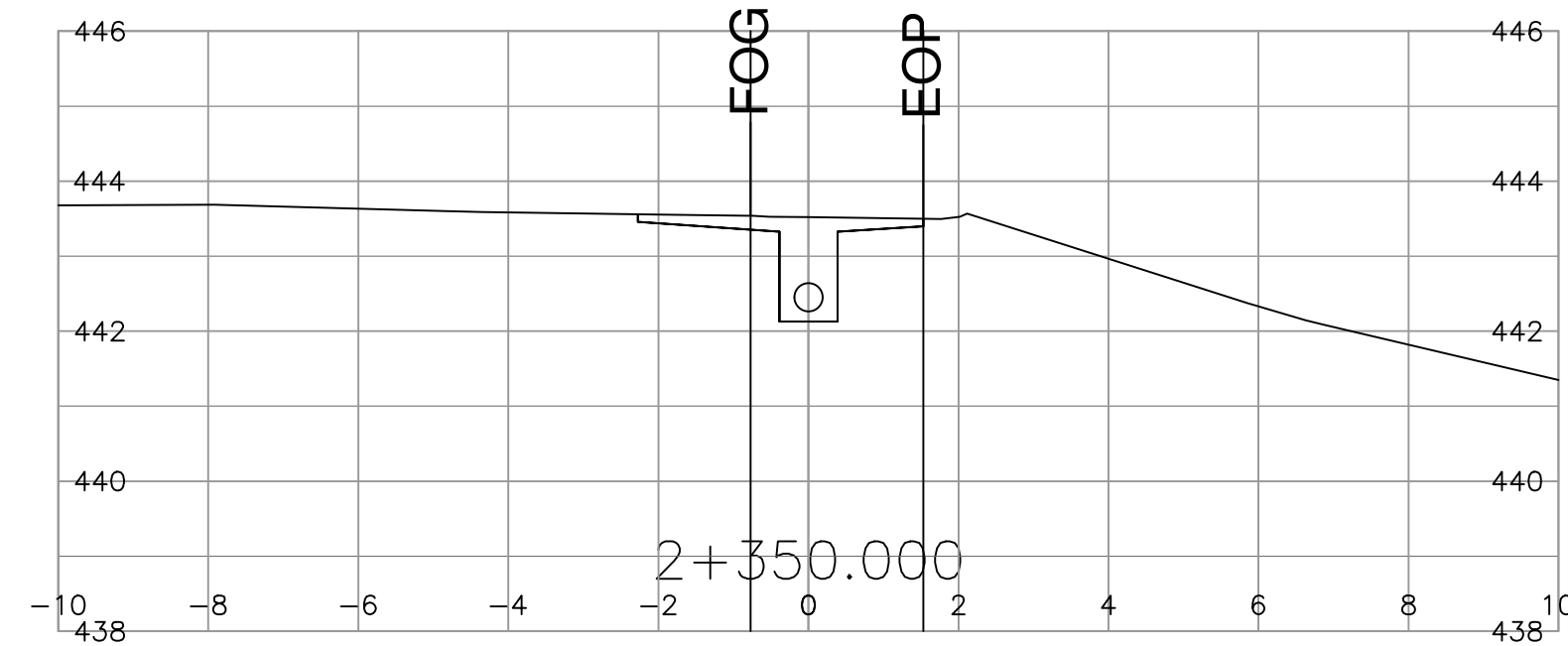
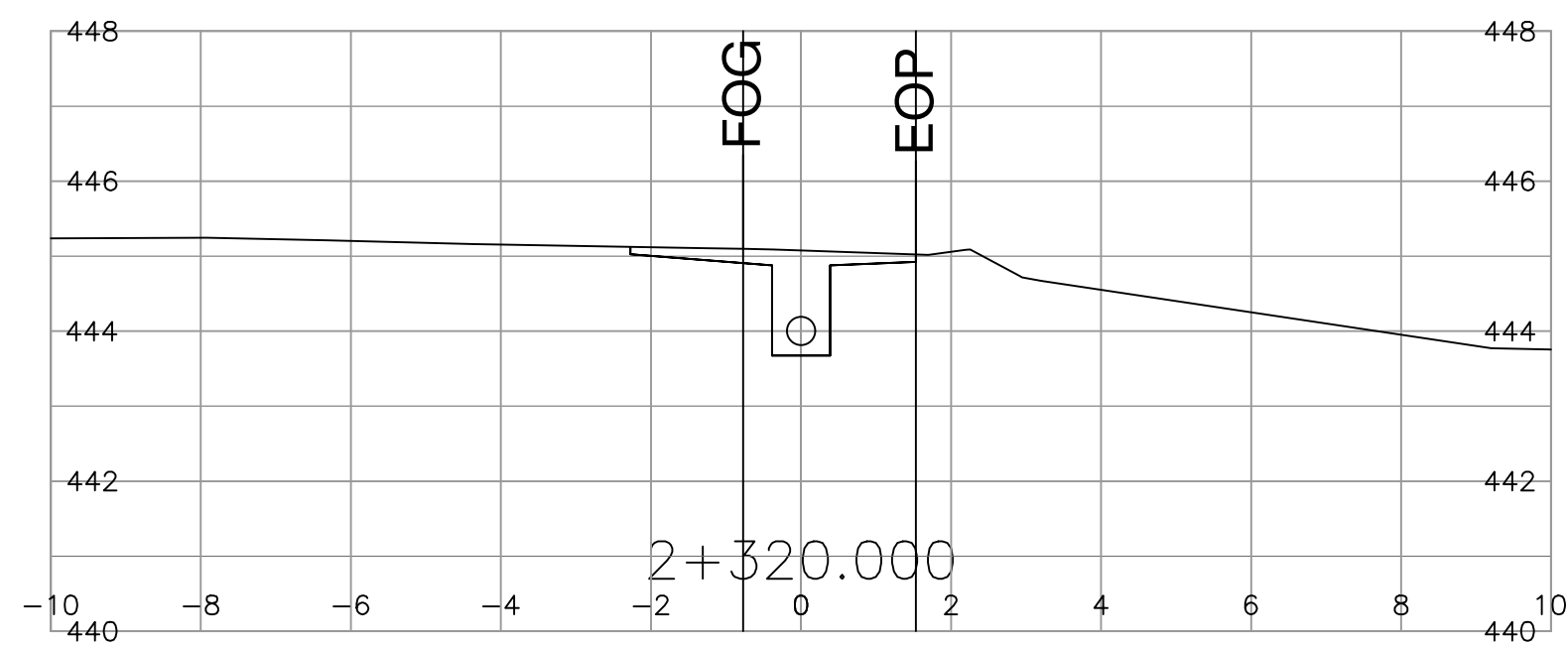
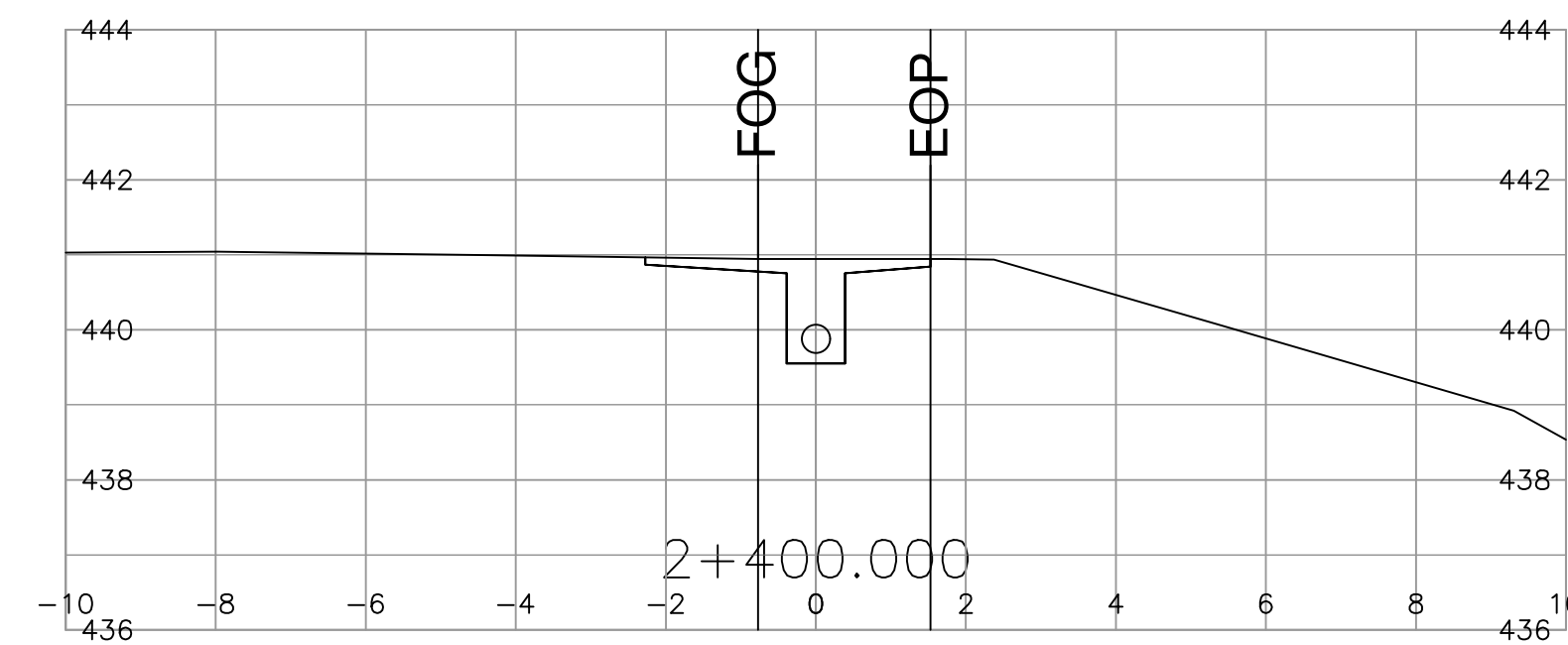
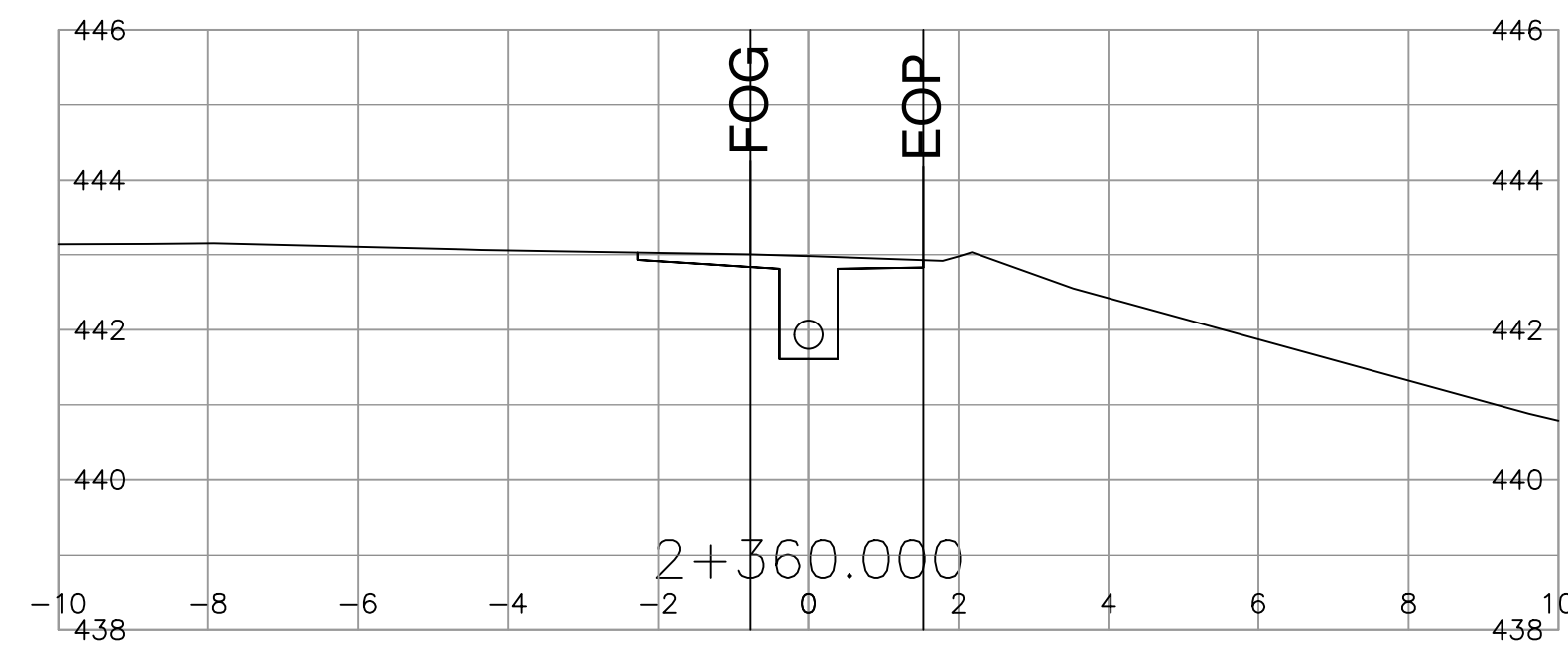
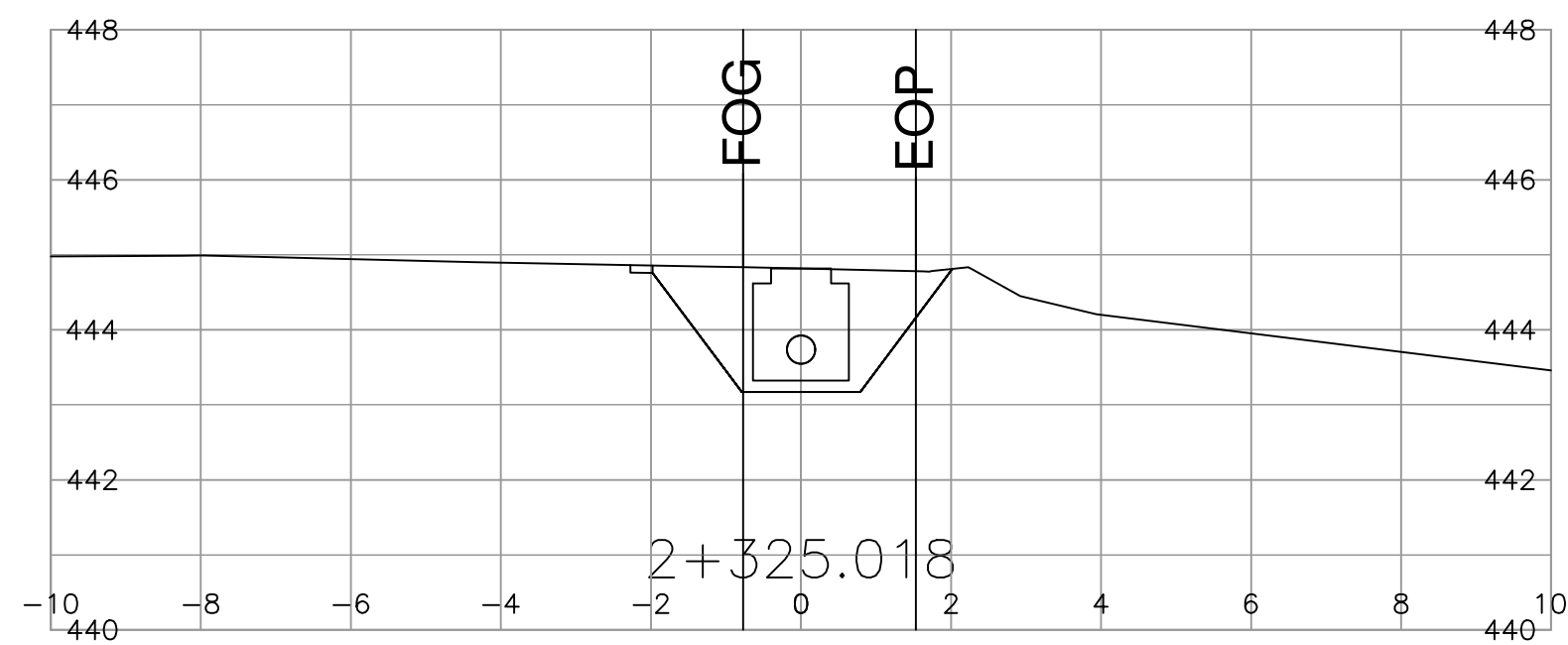
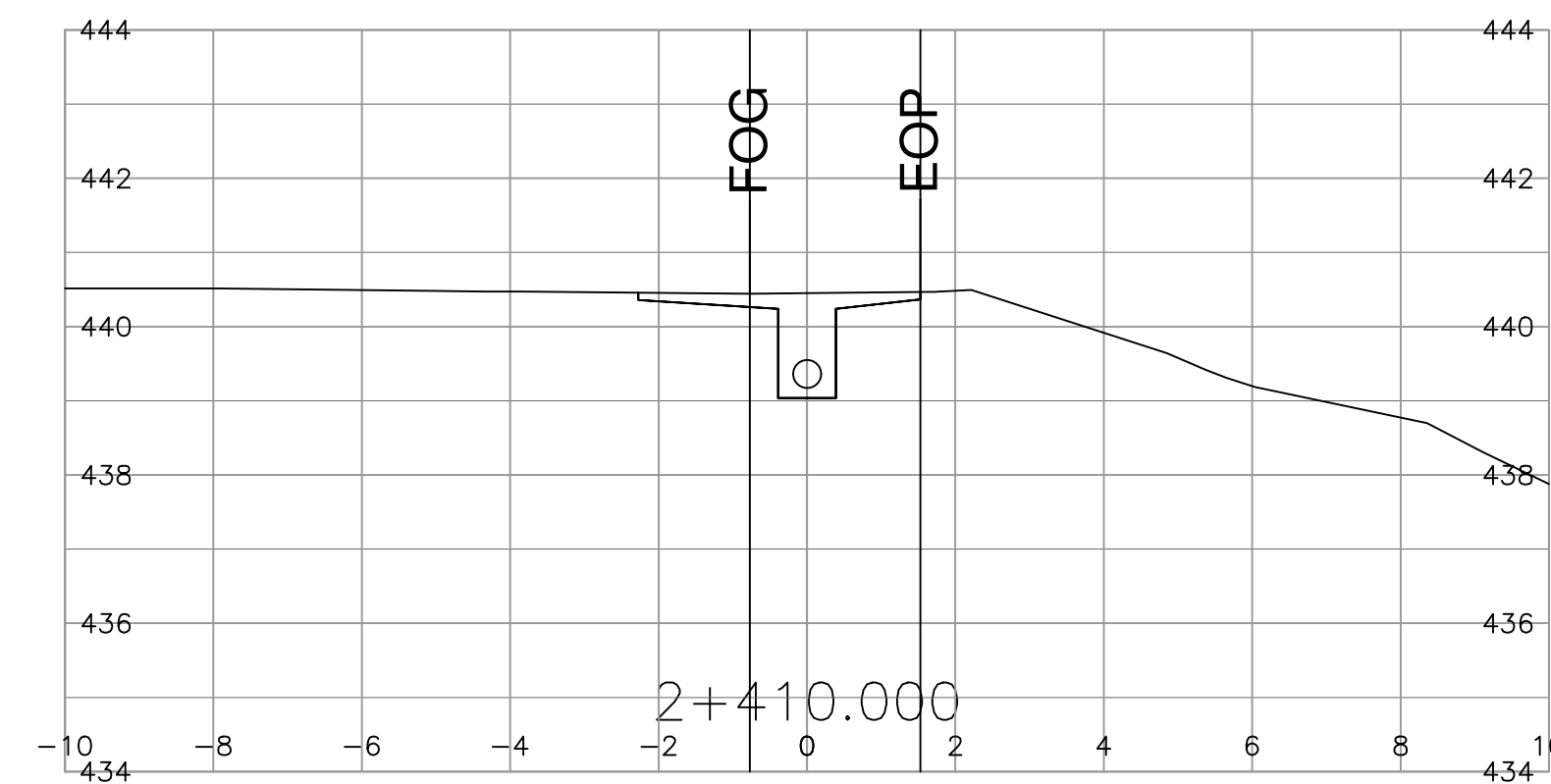
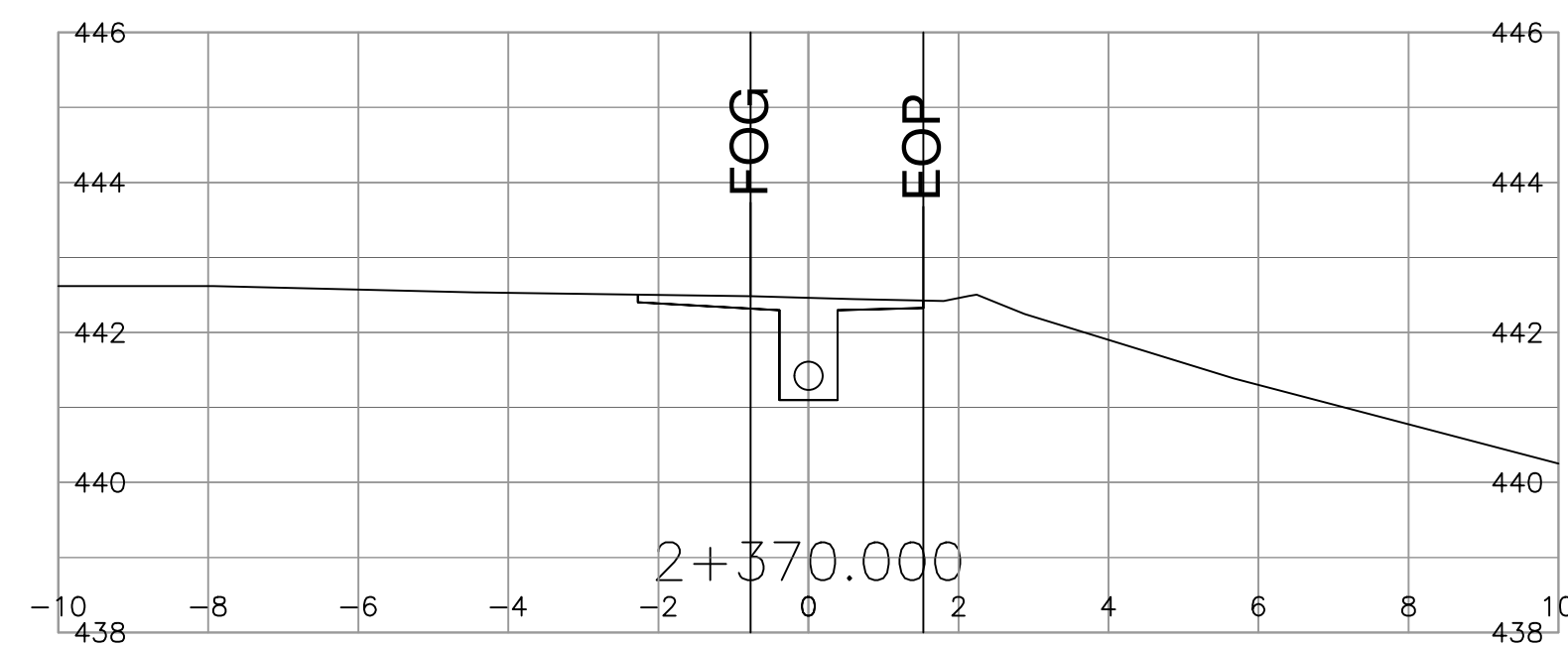
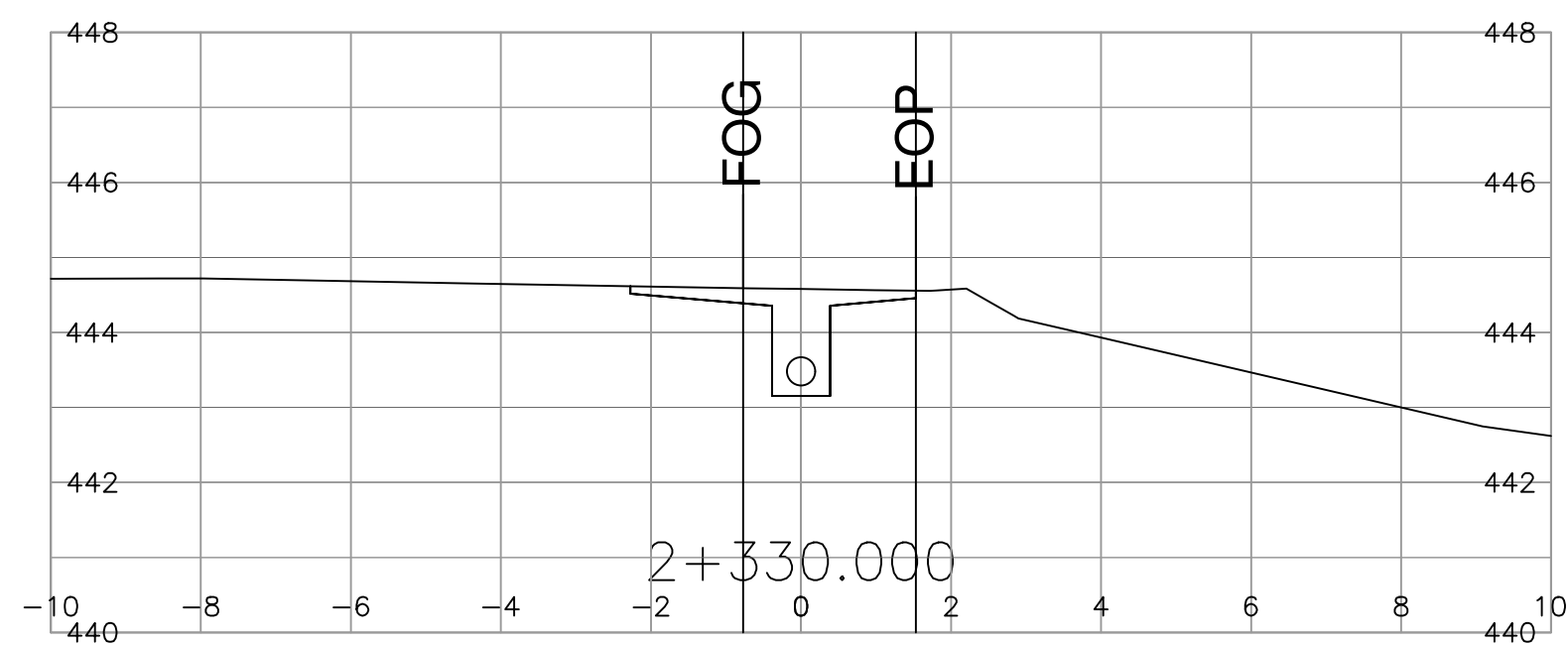
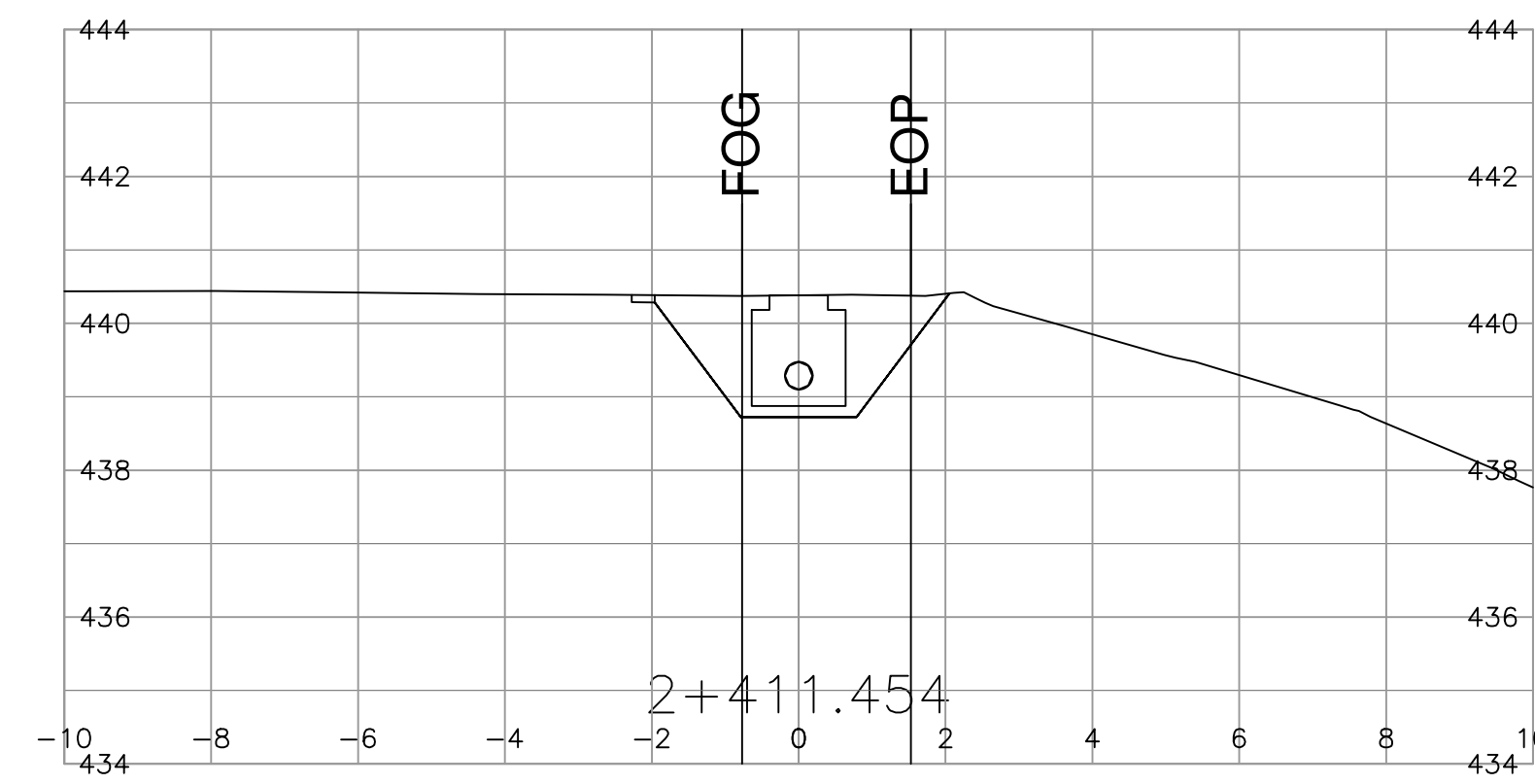
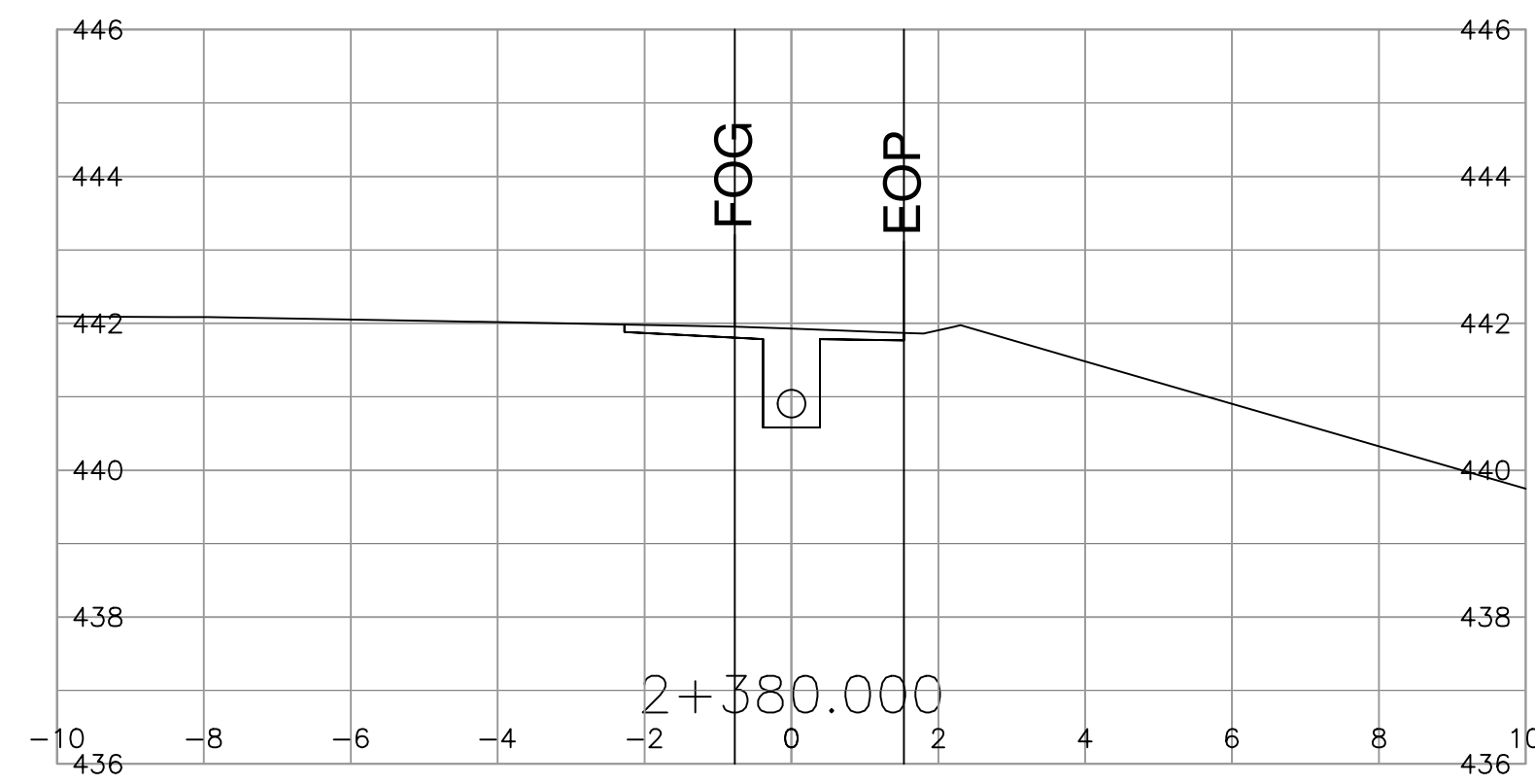
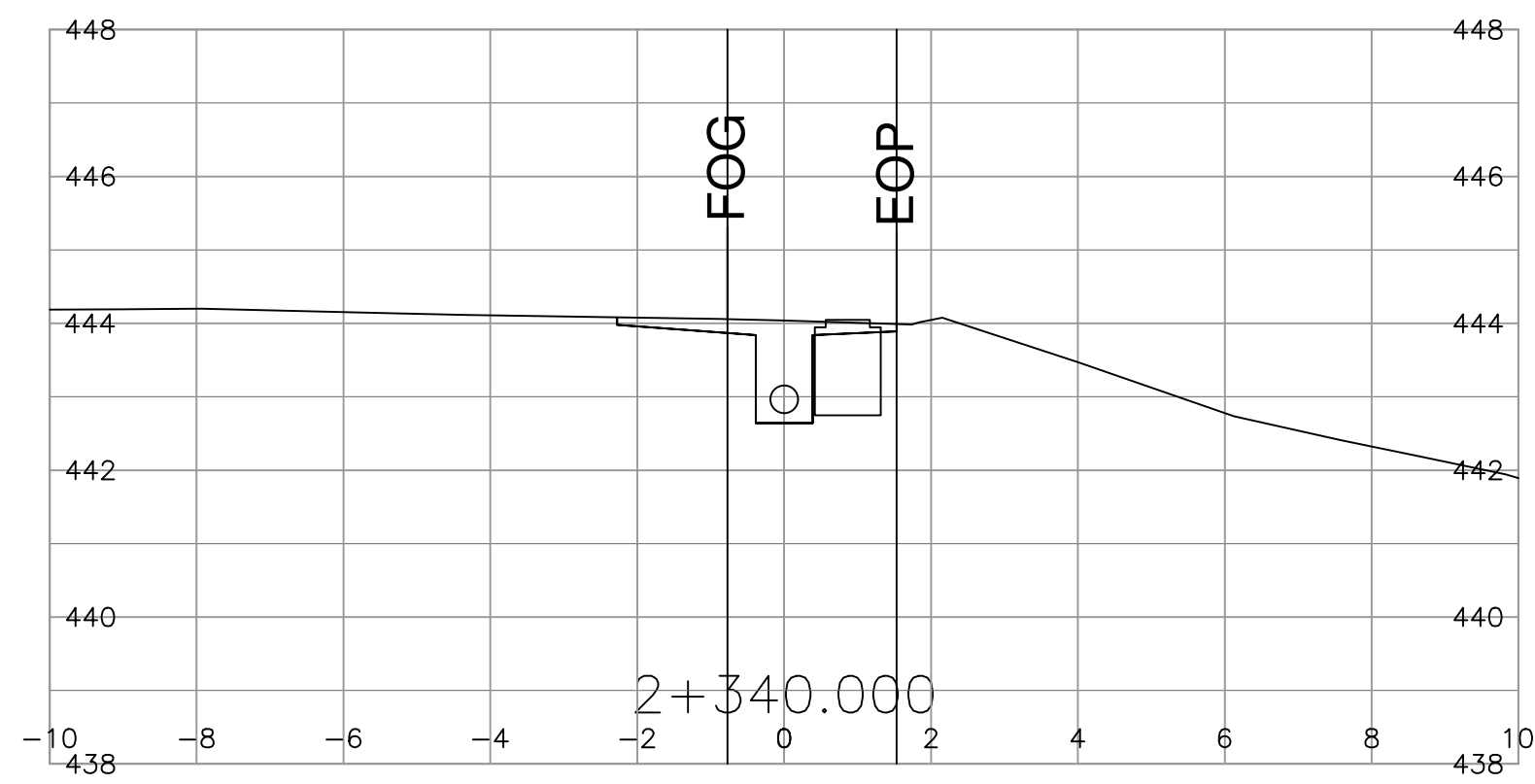
MINISTRY OF TRANSPORTATION AND INFRASTRUCTURE  
SOUTHERN INTERIOR REGION  
HIGHWAY ENGINEERING AND GEOMATICS

JENNA LEE P. ENG.  
SENIOR DESIGNER

DESIGNED J. LEE DATE 2018-01-11  
QUALITY CONTROL J. FITZGERALD DATE 2018-01-11  
QUALITY ASSURANCE S. KING DATE 2018-01-11  
DRAWN J. WHITE DATE 2018-01-11

SECTIONS  
HIGHWAY 97  
OYAMA DRAINAGE IMPROVEMENTS


FILE NUMBER 2809	PROJECT NUMBER 24191-0002	REG 2	DRAWING NUMBER R2-1015-1014	REV
---------------------	------------------------------	----------	--------------------------------	-----



SCALE 0 1 1:100 5m

CAD FILENAME R2-1015-1001-1033  
PLOT DATE 1/11/2018

REV	DATE	REVISIONS	NAME



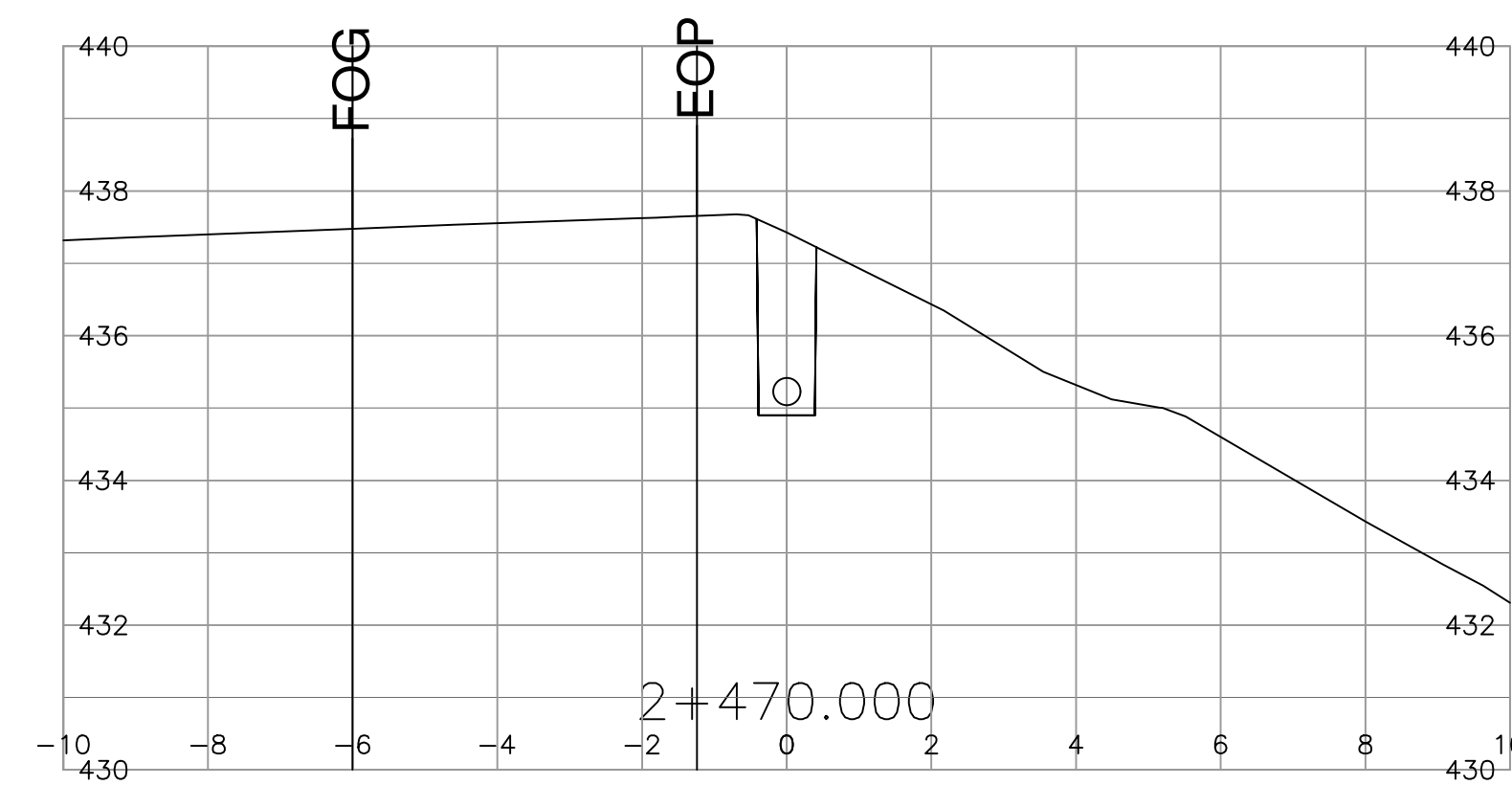
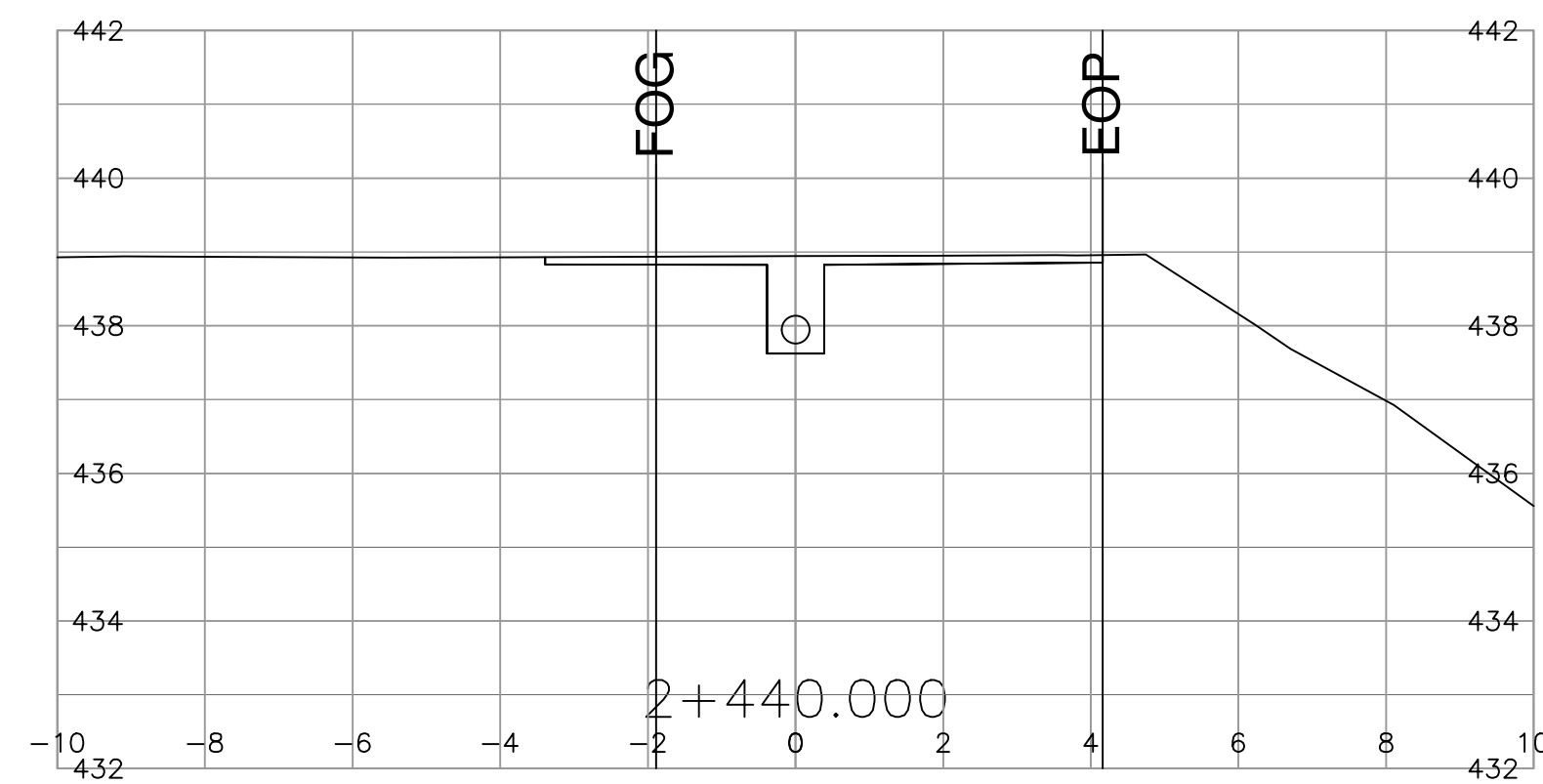
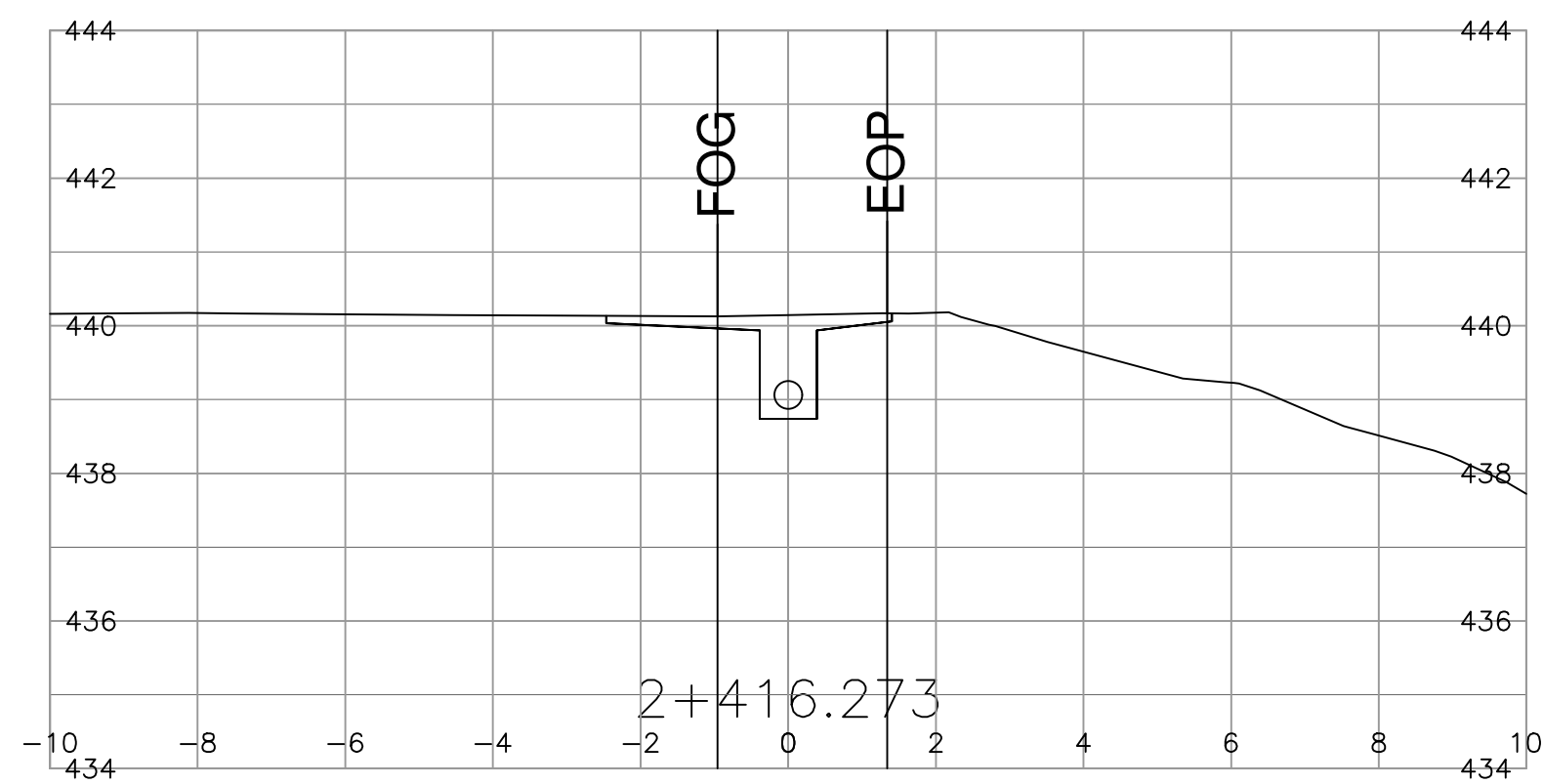
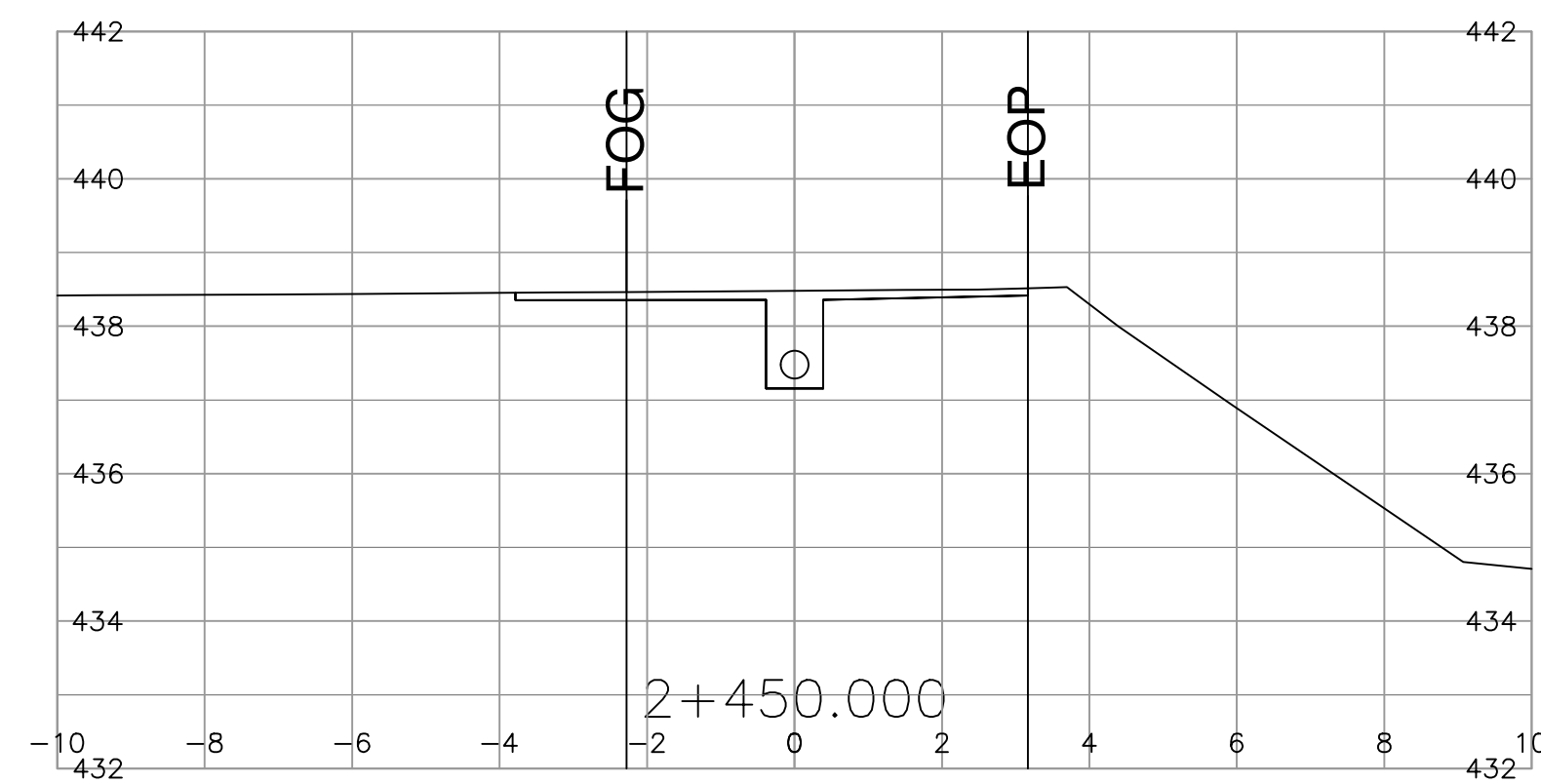
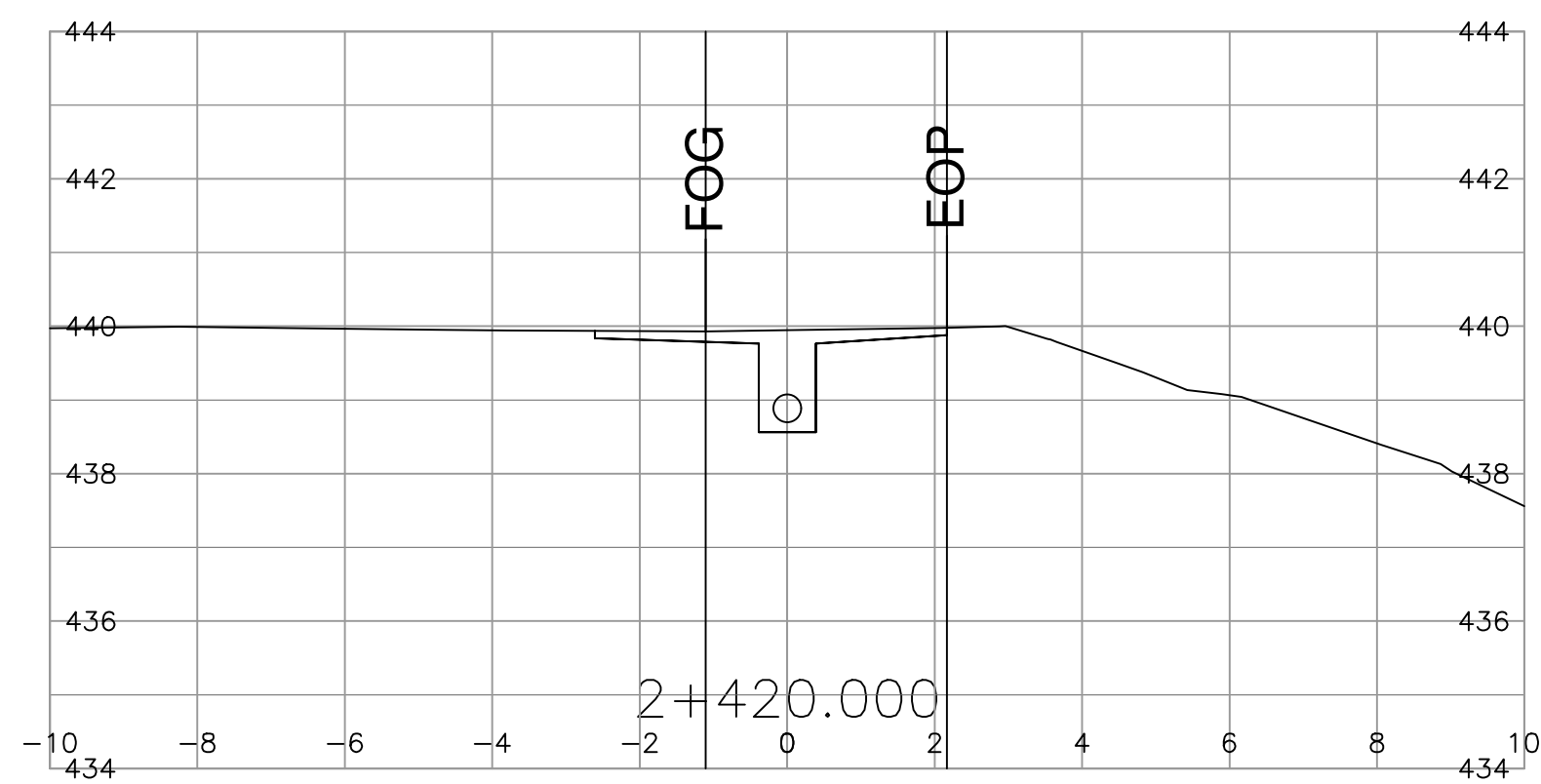
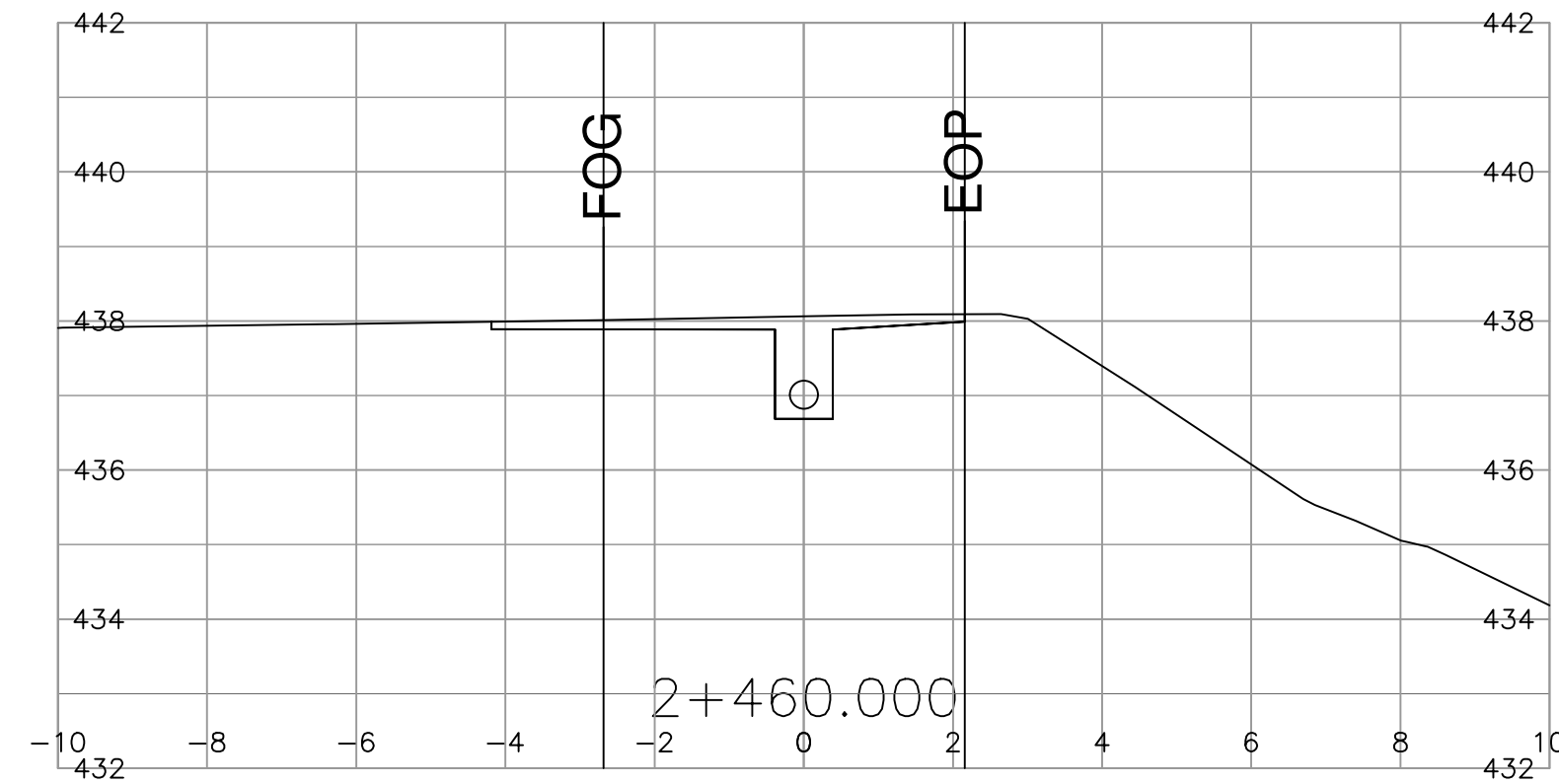
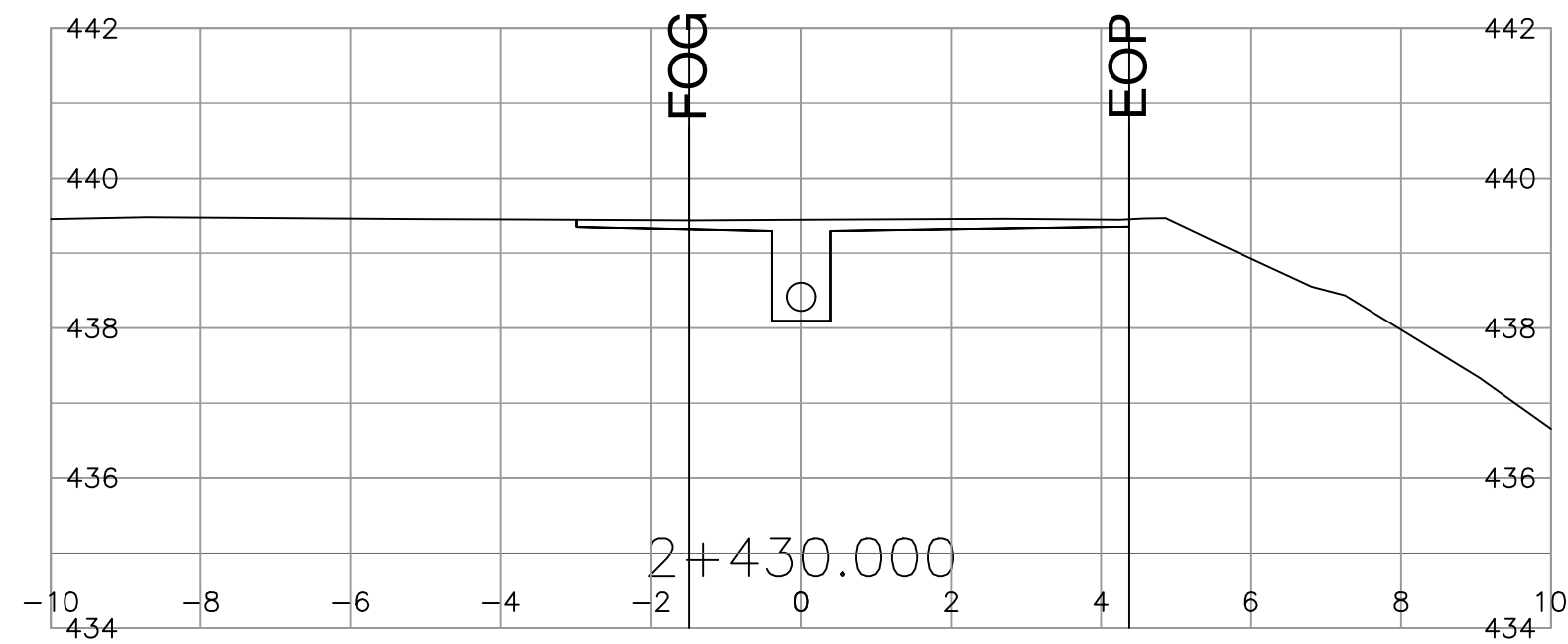
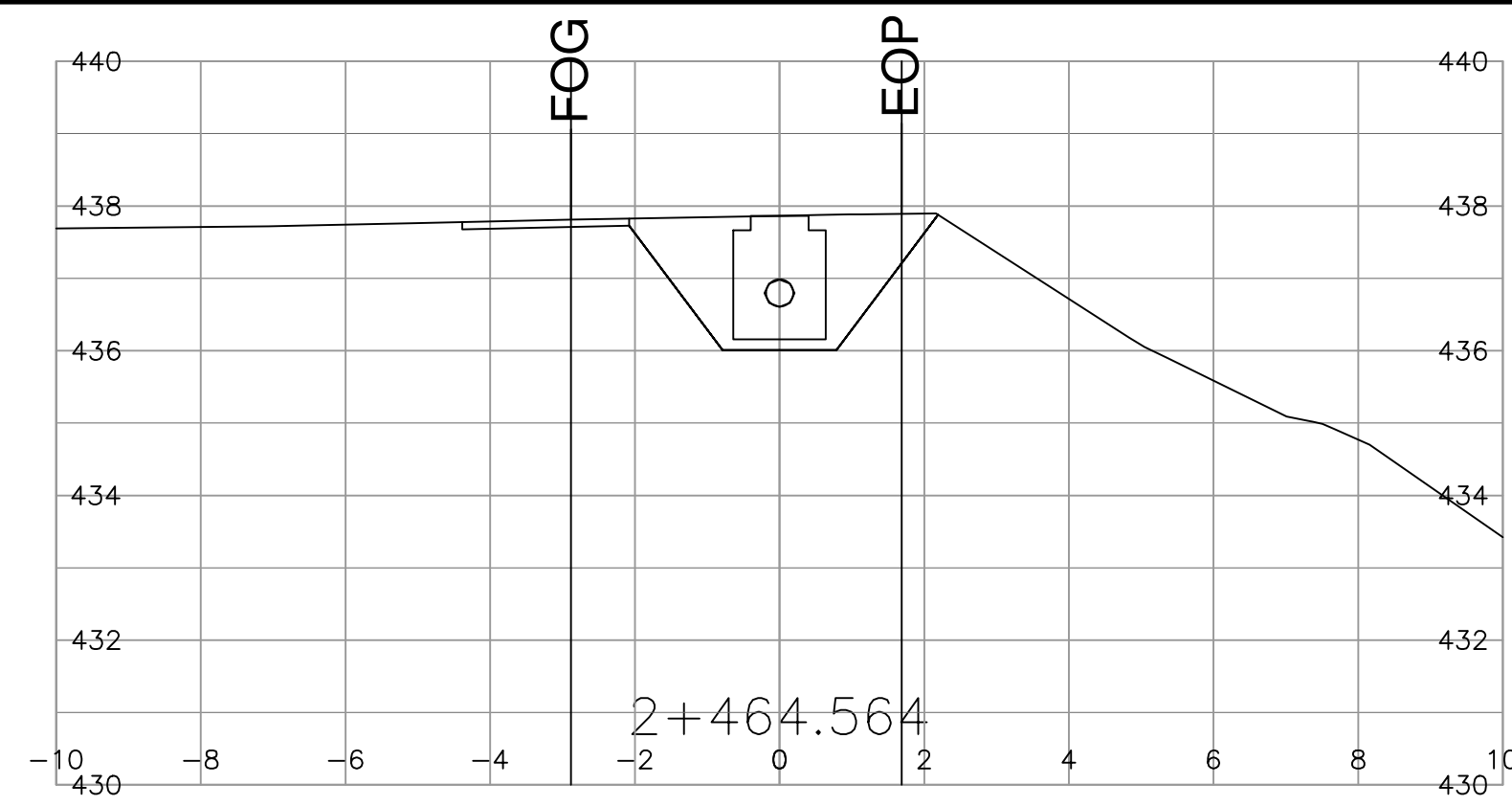
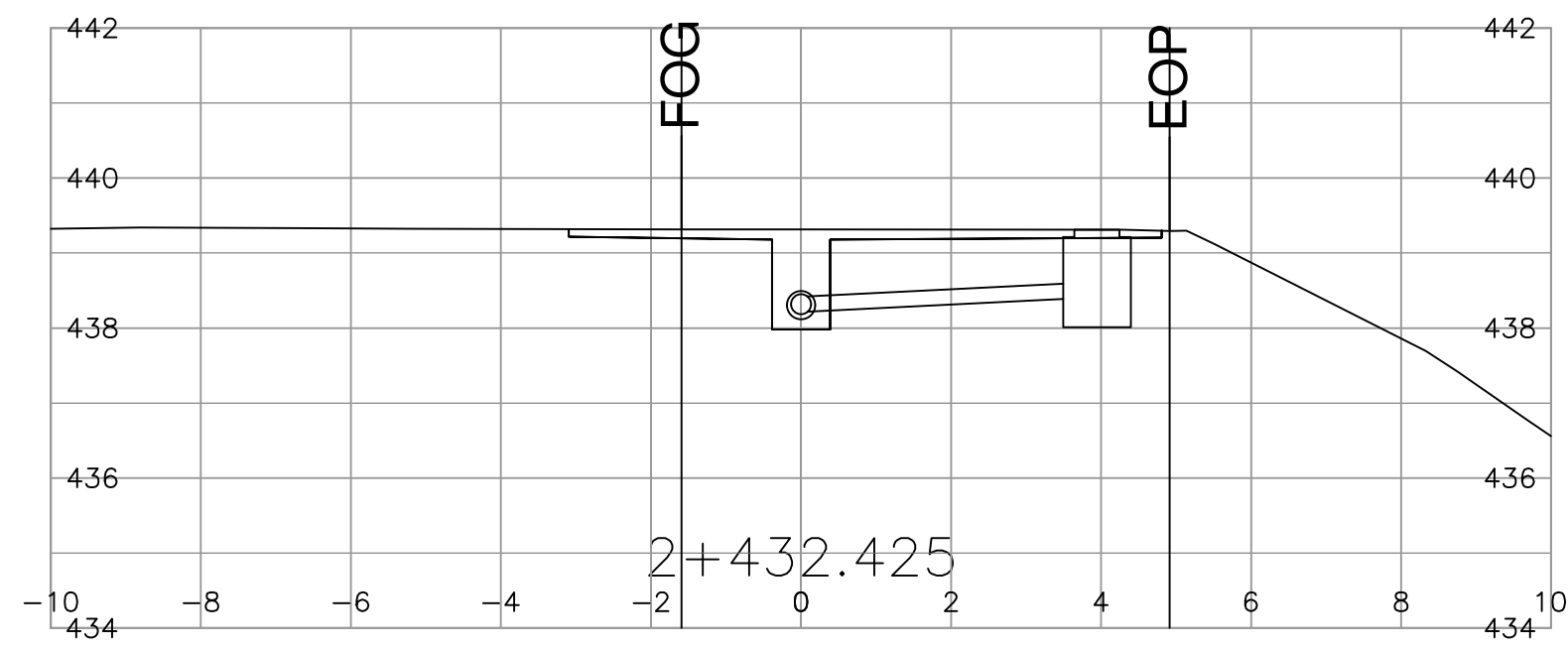
**MINISTRY OF TRANSPORTATION AND INFRASTRUCTURE**  
SOUTHERN INTERIOR REGION  
HIGHWAY ENGINEERING AND GEOMATICS

JENNA LEE P. ENG.  
SENIOR DESIGNER

DESIGNED J. LEE DATE 2018-01-11  
QUALITY CONTROL J. FITZGERALD DATE 2018-01-11  
QUALITY ASSURANCE S. KING DATE 2018-01-11  
DRAWN J. WHITE DATE 2018-01-11

**SECTIONS**  
HIGHWAY 97  
OYAMA DRAINAGE IMPROVEMENTS

FILE NUMBER 2809	PROJECT NUMBER 24191-0002	REG 2	DRAWING NUMBER R2-1015-1015	REV
---------------------	------------------------------	----------	--------------------------------	-----



SCALE 0 1 1:100 5m

CAD FILENAME R2-1015-1001-1033  
PLOT DATE 1/11/2018

REV	DATE	REVISIONS	NAME

MINISTRY OF TRANSPORTATION AND INFRASTRUCTURE  
SOUTHERN INTERIOR REGION  
HIGHWAY ENGINEERING AND GEOMATICS

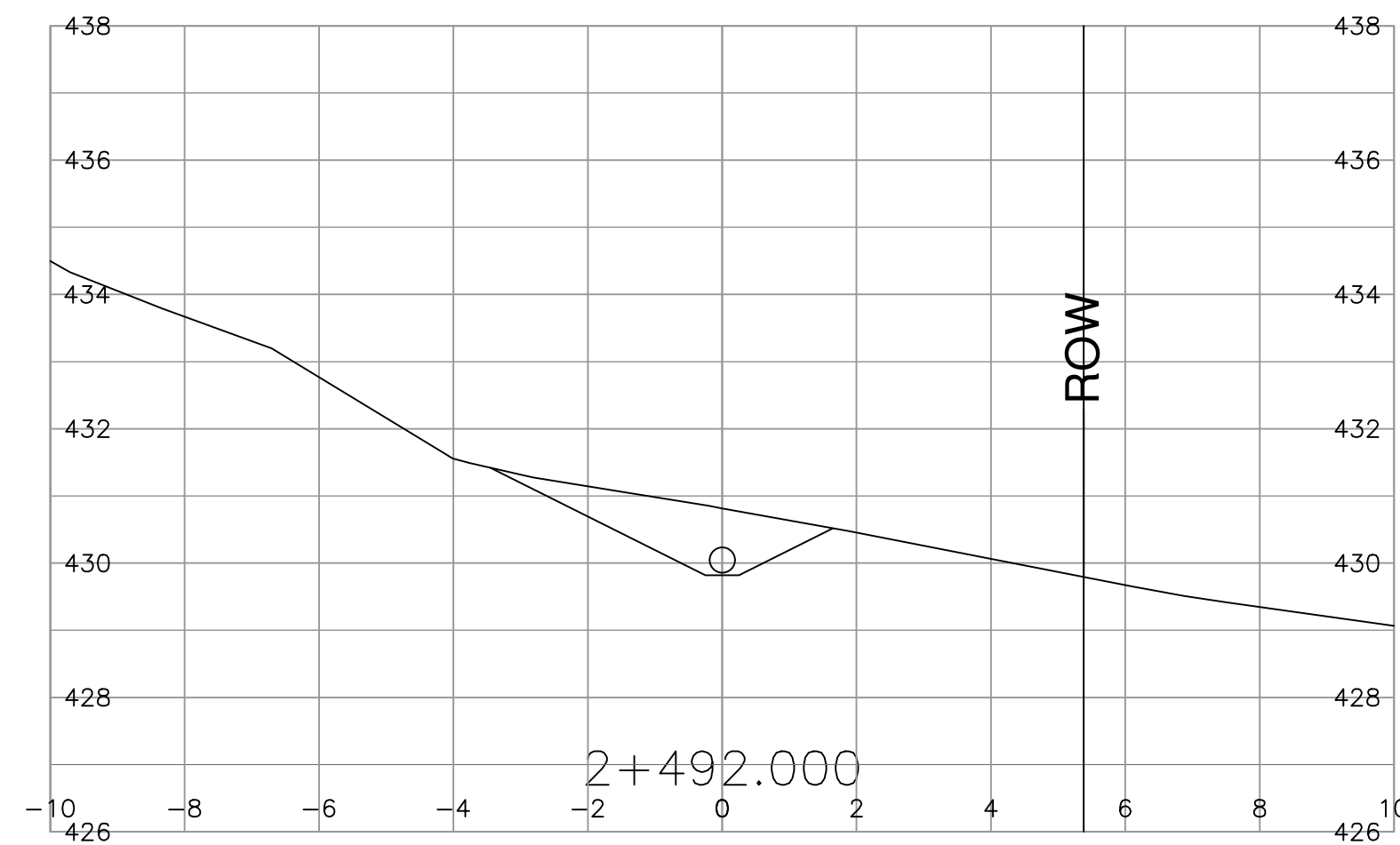
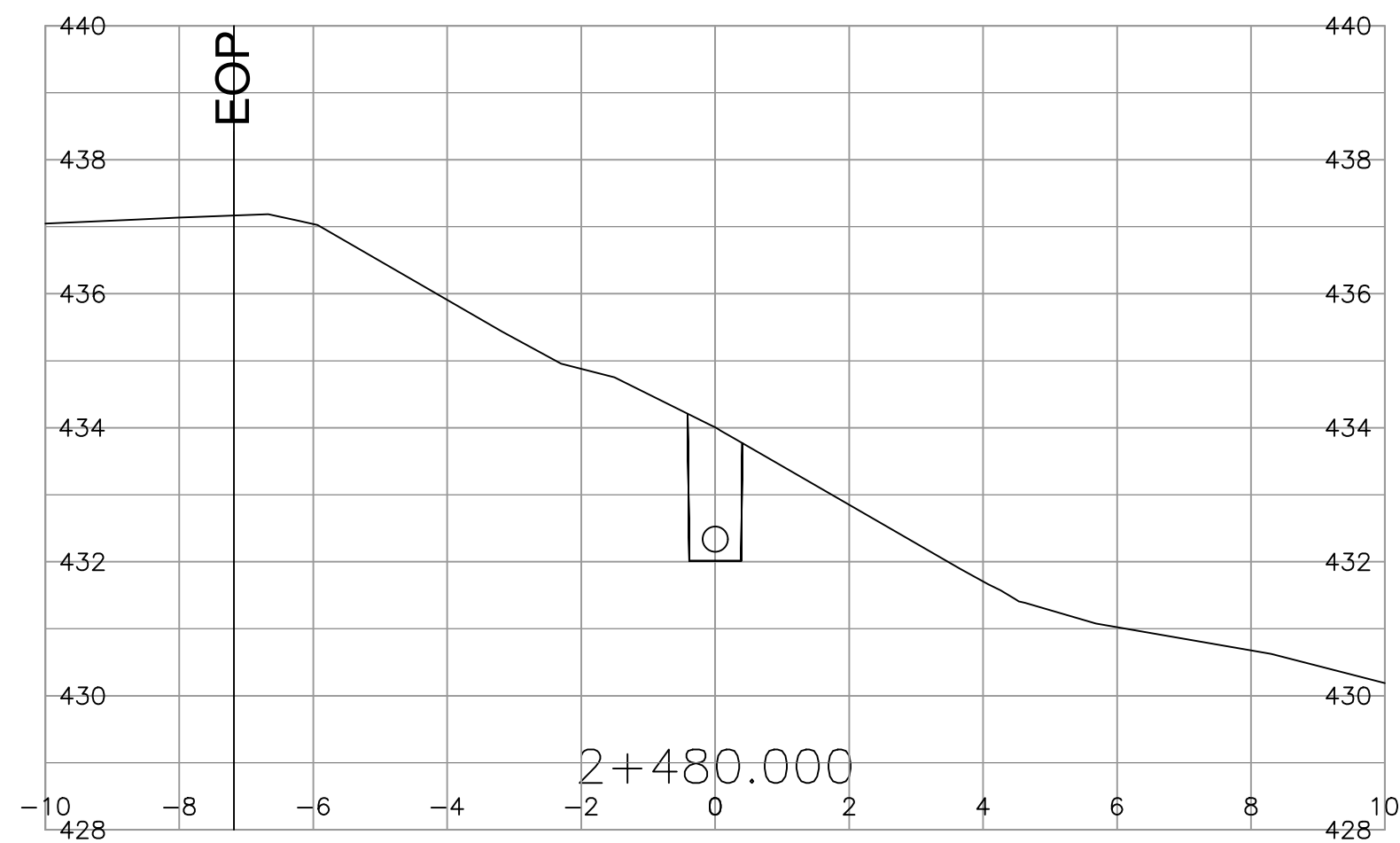
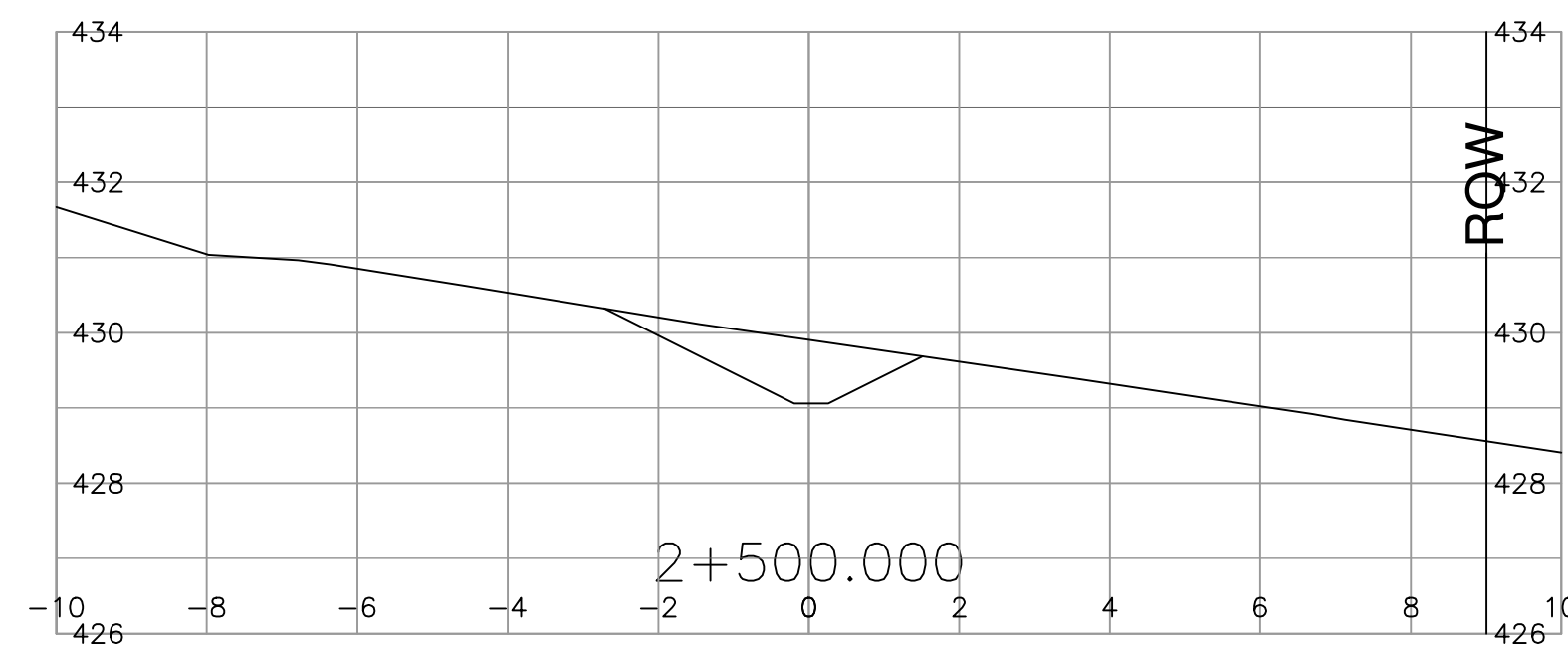
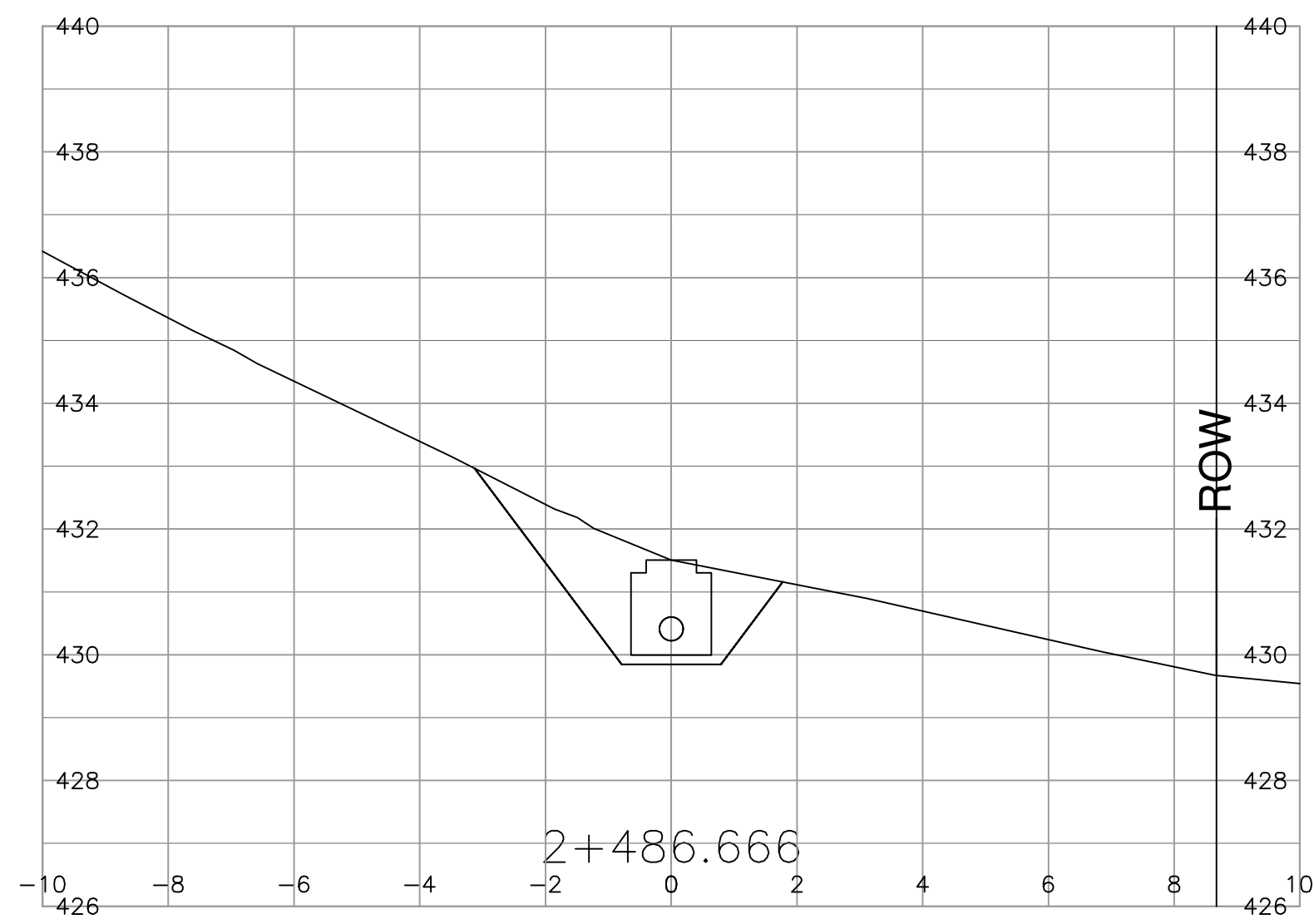
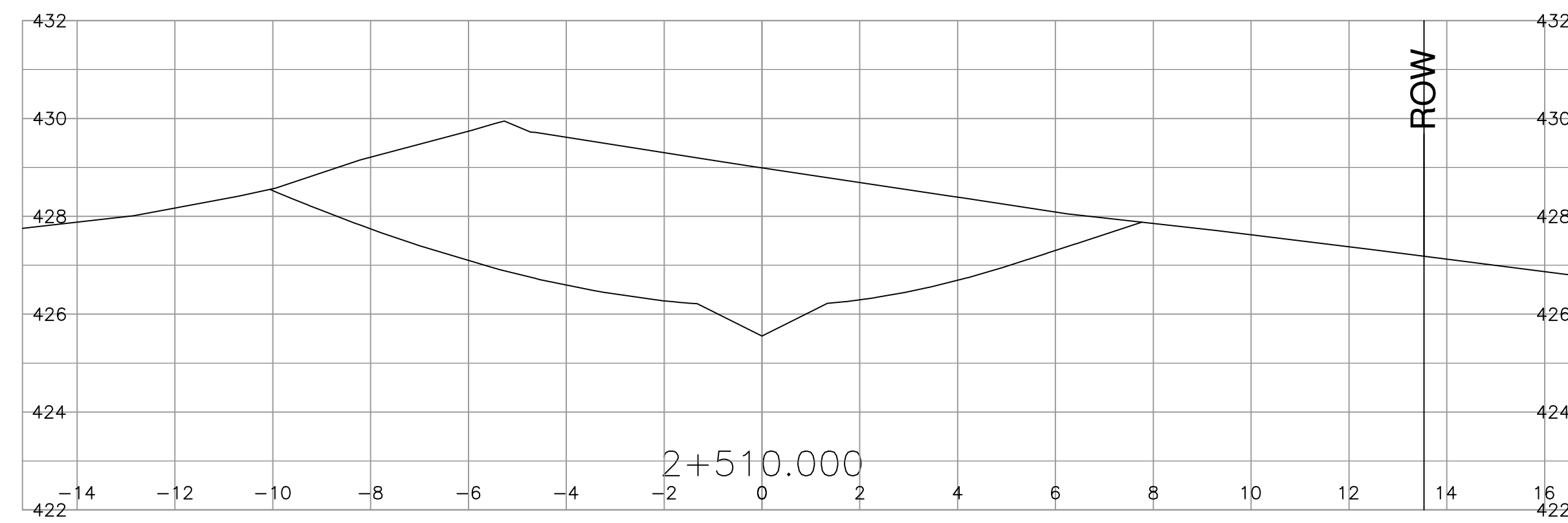
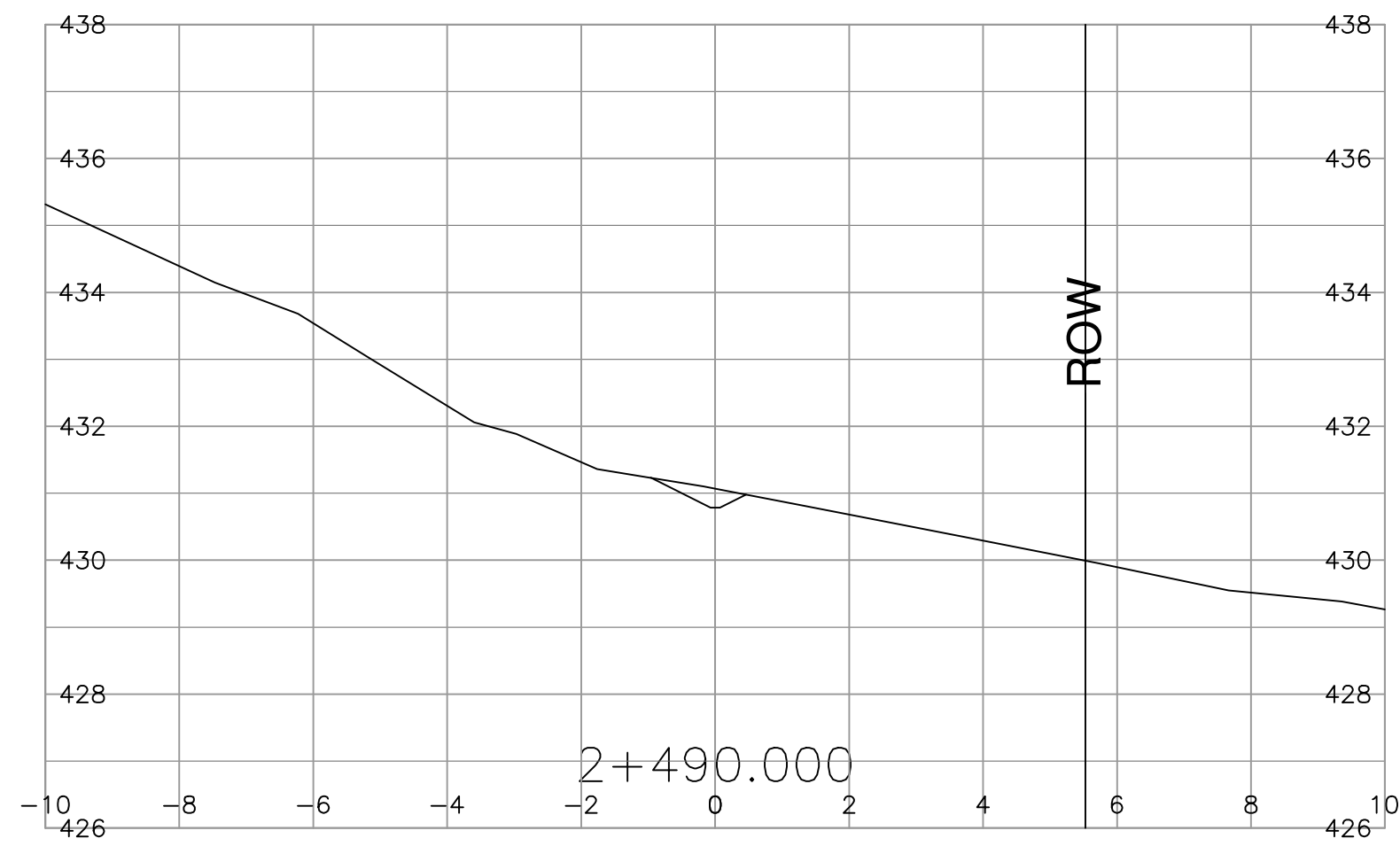
JENNA LEE P. ENG.  
SENIOR DESIGNER

DESIGNED J. LEE DATE 2018-01-11  
QUALITY CONTROL J. FITZGERALD DATE 2018-01-11  
QUALITY ASSURANCE S. KING DATE 2018-01-11  
DRAWN J. WHITE DATE 2018-01-11

SECTIONS  
HIGHWAY 97  
OYAMA DRAINAGE IMPROVEMENTS

FILE NUMBER 2809	PROJECT NUMBER 24191-0002	REG 2	DRAWING NUMBER R2-1015-1016	REV
---------------------	------------------------------	----------	--------------------------------	-----






SCALE 0 1 1:100 5m

CAD FILENAME R2-1015-1001-1033  
PLOT DATE 1/11/2018

REV	DATE	REVISIONS	NAME

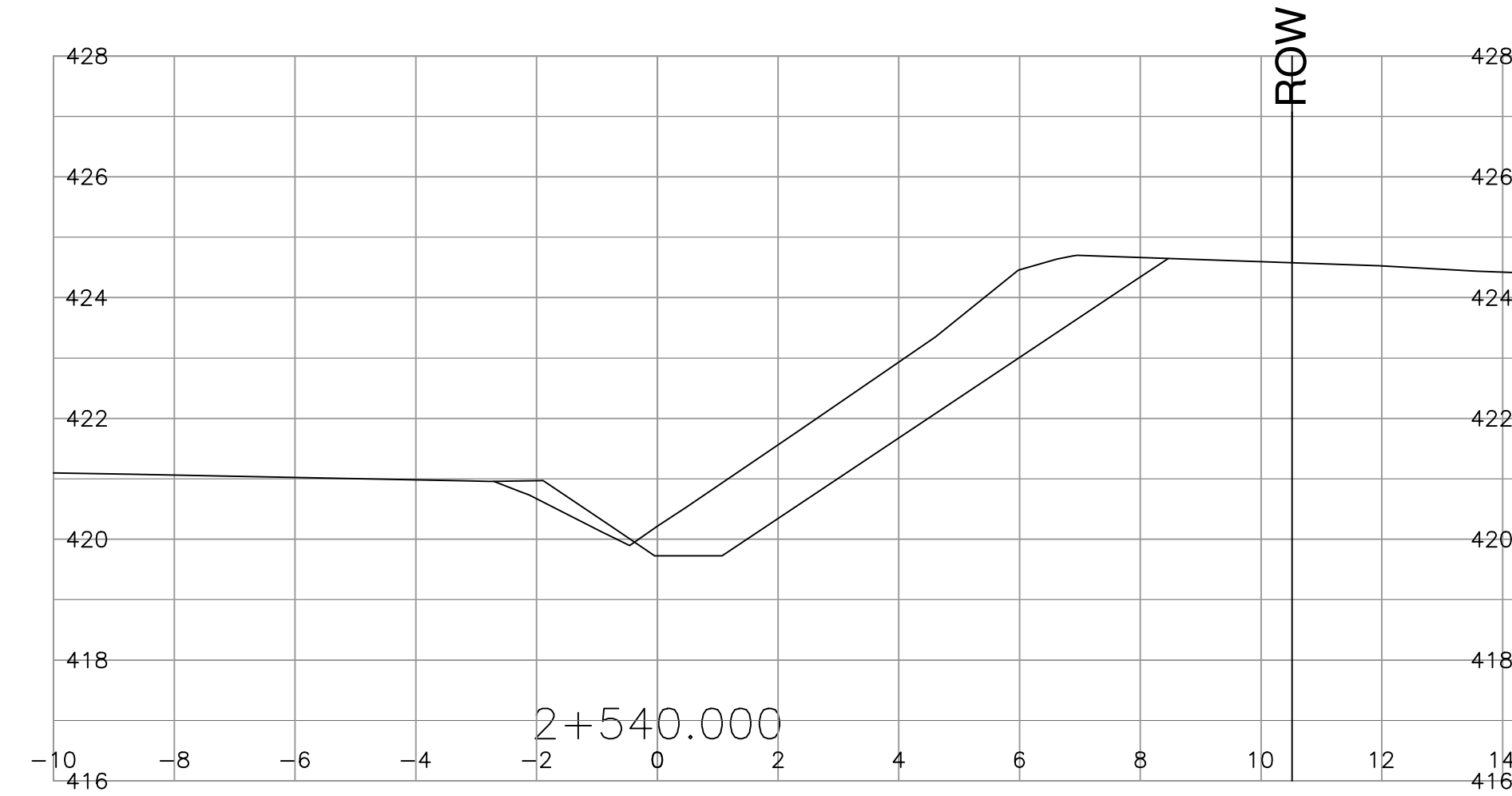
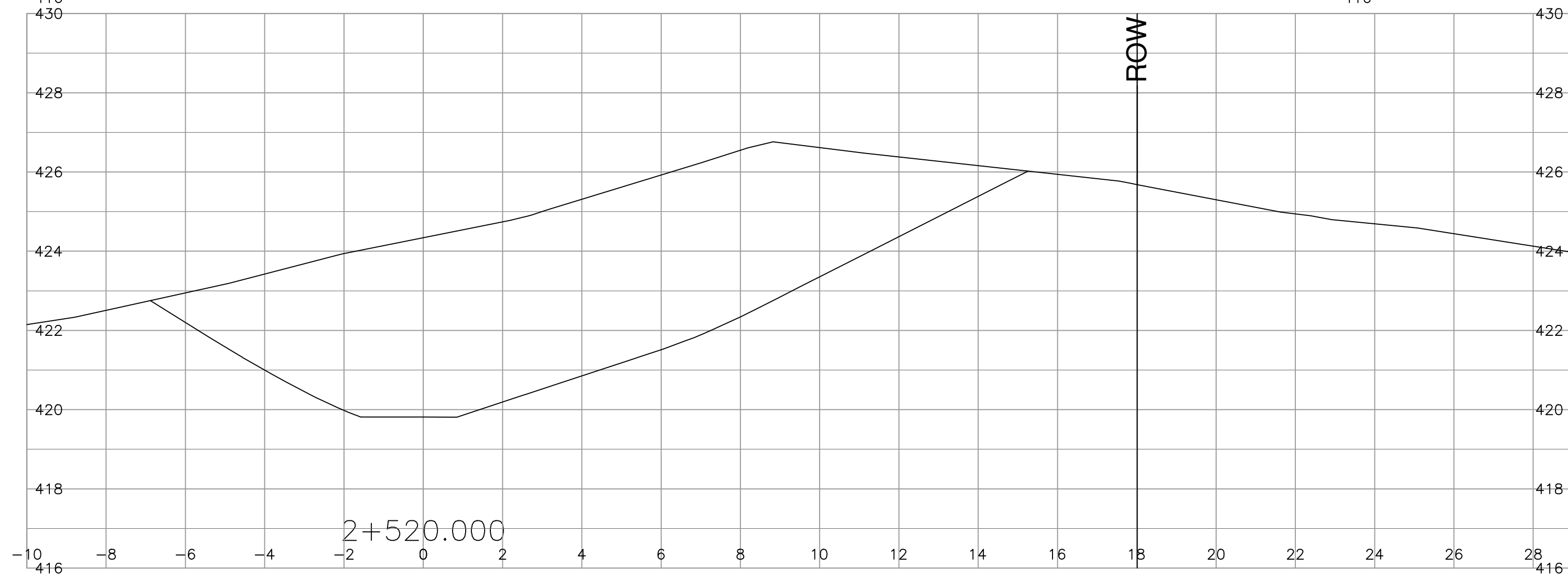
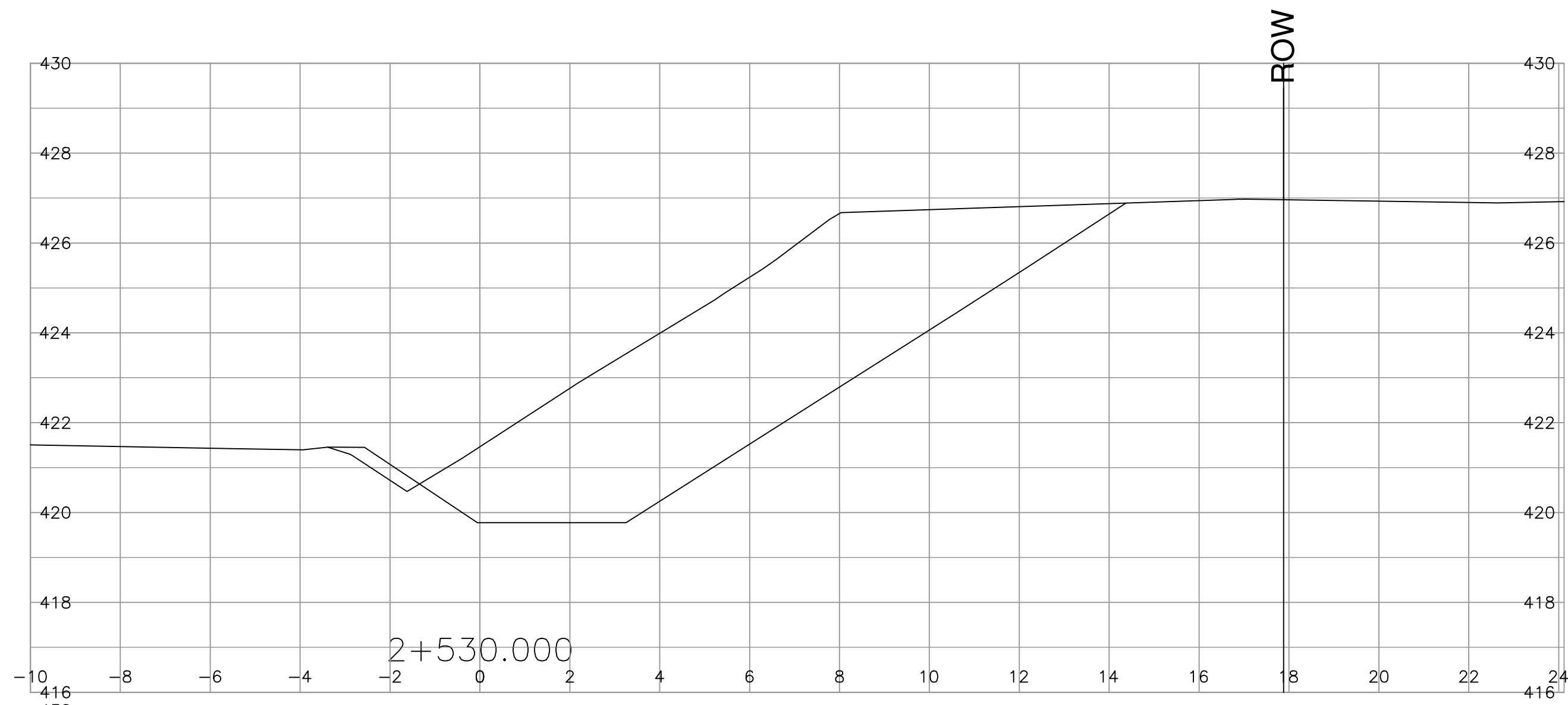
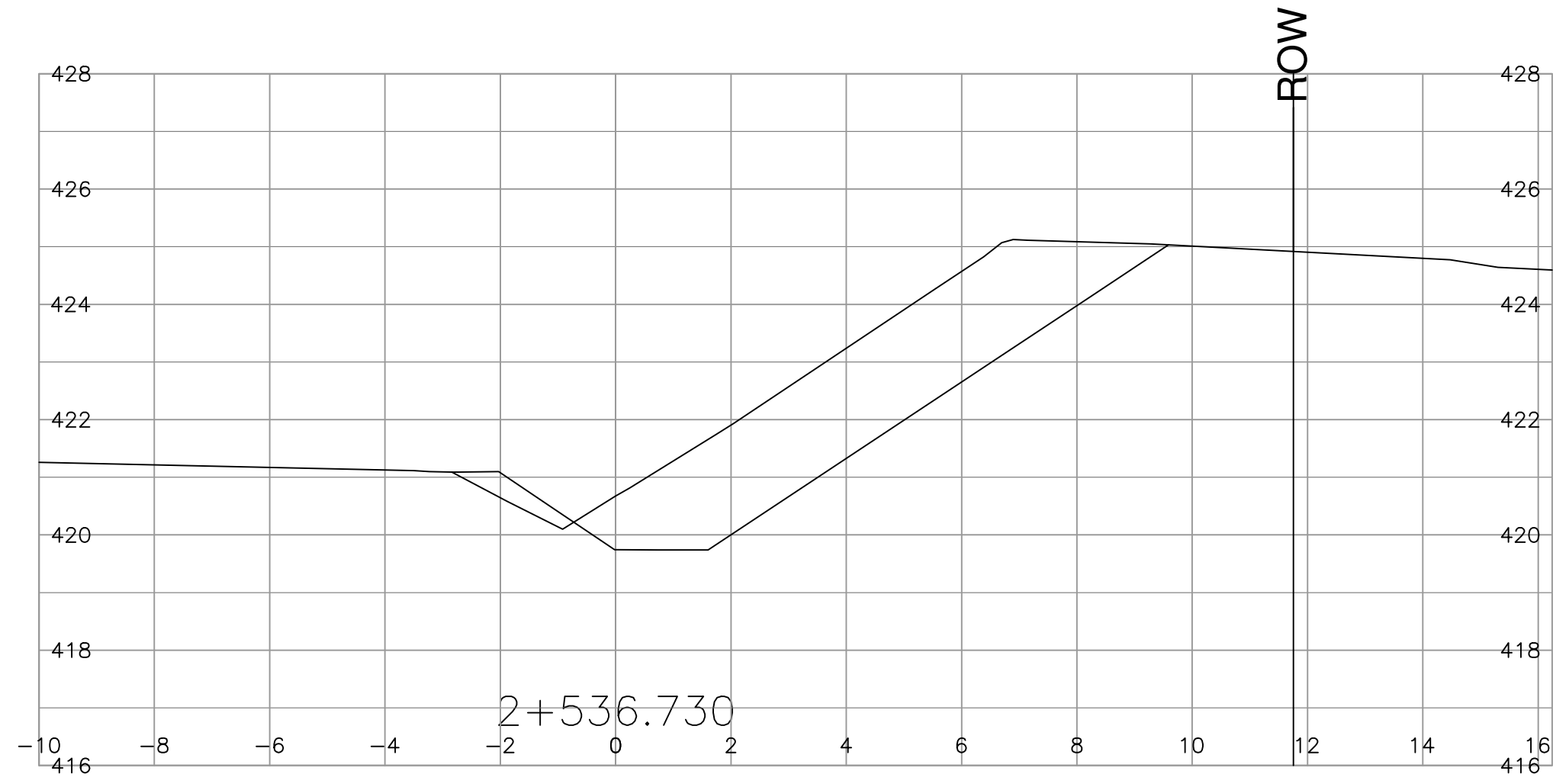


MINISTRY OF TRANSPORTATION AND INFRASTRUCTURE  
SOUTHERN INTERIOR REGION  
HIGHWAY ENGINEERING AND GEOMATICS

JENNA LEE P. ENG.  
SENIOR DESIGNER  
DATE 2018-01-11

DESIGNED J. LEE DATE 2018-01-11  
QUALITY CONTROL J. FITZGERALD DATE 2018-01-11  
QUALITY ASSURANCE S. KING DATE 2018-01-11  
DRAWN J. WHITE DATE 2018-01-11

SECTIONS				
HIGHWAY 97				
OYAMA DRAINAGE IMPROVEMENTS				
FILE NUMBER	PROJECT NUMBER	REG	DRAWING NUMBER	REV
2809	24191-0002	2	R2-1015-1017	



SCALE 0 1 1:100 5m

CAD FILENAME R2-1015-1001-1033  
PLOT DATE 1/11/2018

REV	DATE	REVISIONS	NAME



MINISTRY OF TRANSPORTATION AND INFRASTRUCTURE  
SOUTHERN INTERIOR REGION  
HIGHWAY ENGINEERING AND GEOMATICS



JENNA LEE P. ENG.  
SENIOR DESIGNER  
DATE 2018-01-11

DESIGNED J. LEE DATE 2018-01-11  
QUALITY CONTROL J. FITZGERALD DATE 2018-01-11  
QUALITY ASSURANCE S. KING DATE 2018-01-11  
DRAWN J. WHITE DATE 2018-01-11

SECTIONS  
HIGHWAY 97  
OYAMA DRAINAGE IMPROVEMENTS

FILE NUMBER 2809	PROJECT NUMBER 24191-0002	REG 2	DRAWING NUMBER R2-1015-1018	REV
---------------------	------------------------------	----------	--------------------------------	-----