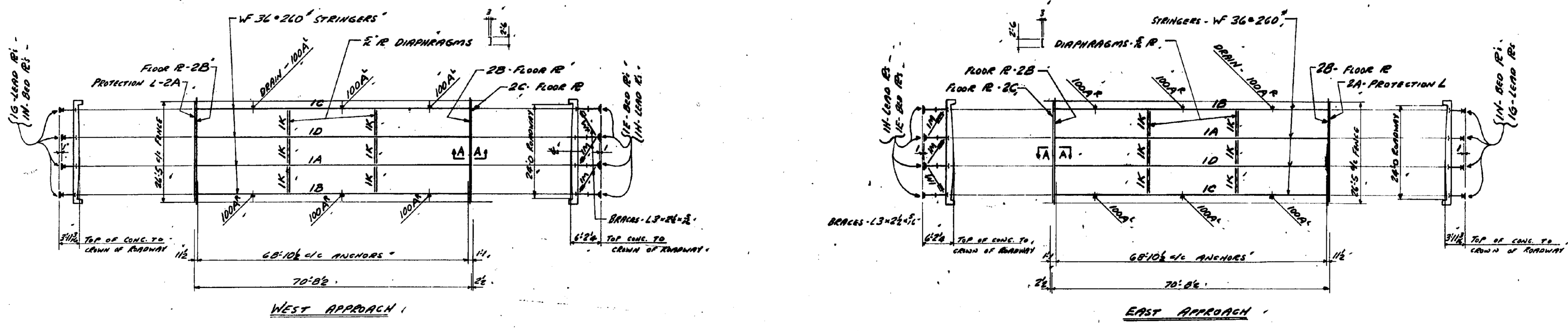
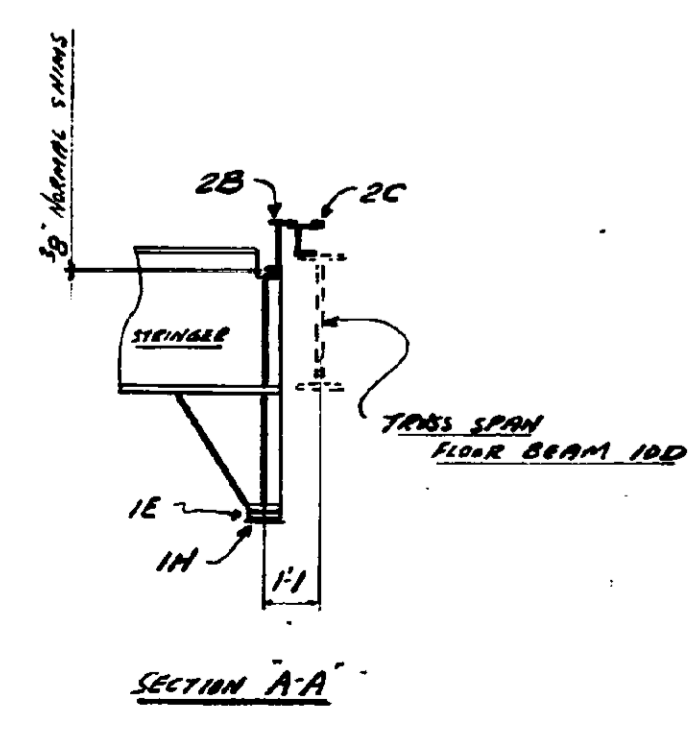


FOR TRUSS SPAN MARKING DIAGRAM SEE DWG EE.



MARKING DIAGRAM FOR WEST & EAST APPROACH SPANS.



MATERIAL ON LOOSE BILL No.	
SPECIFICATION	
CONNECTIONS	
OPEN HOLES	
PAIN L SHIP COAT FWT PER LARD	
REVISIONS	

DOMINION BRIDGE COMPANY LIMITED - Vancouver, B.C.		CONTRACT No.
DRAWN BY: J.M.S.	PROPRIETOR: GOVT OF B.C.	53590
CHECKED BY: N.M.S.	PURCHASER: DEPT OF HIGHWAYS	DRAWING No.
APPROVED BY: J.M.S.	DESCRIPTION: SPRINGBROOK BRIDGE	E1
SCALE	DETAIL ERECTION DIAGRAM	