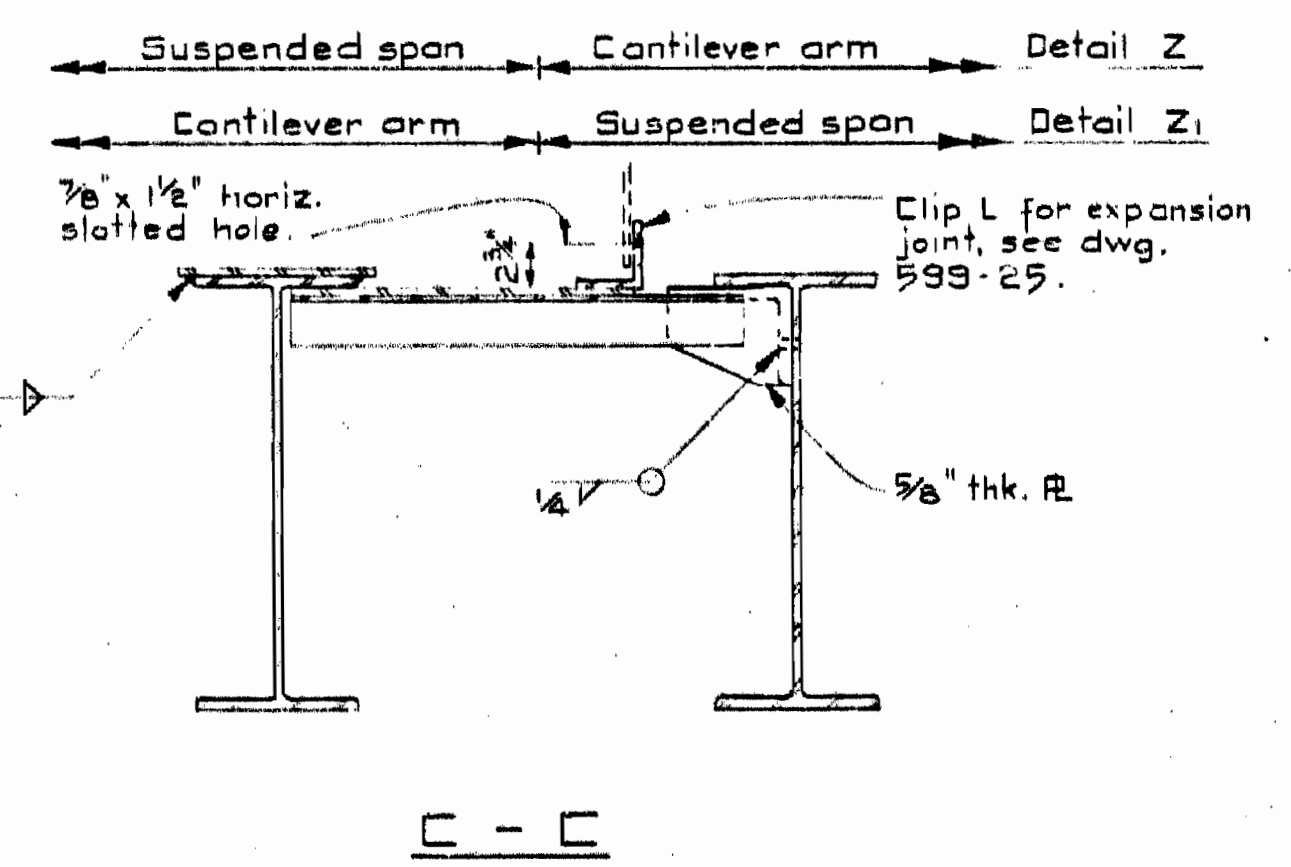
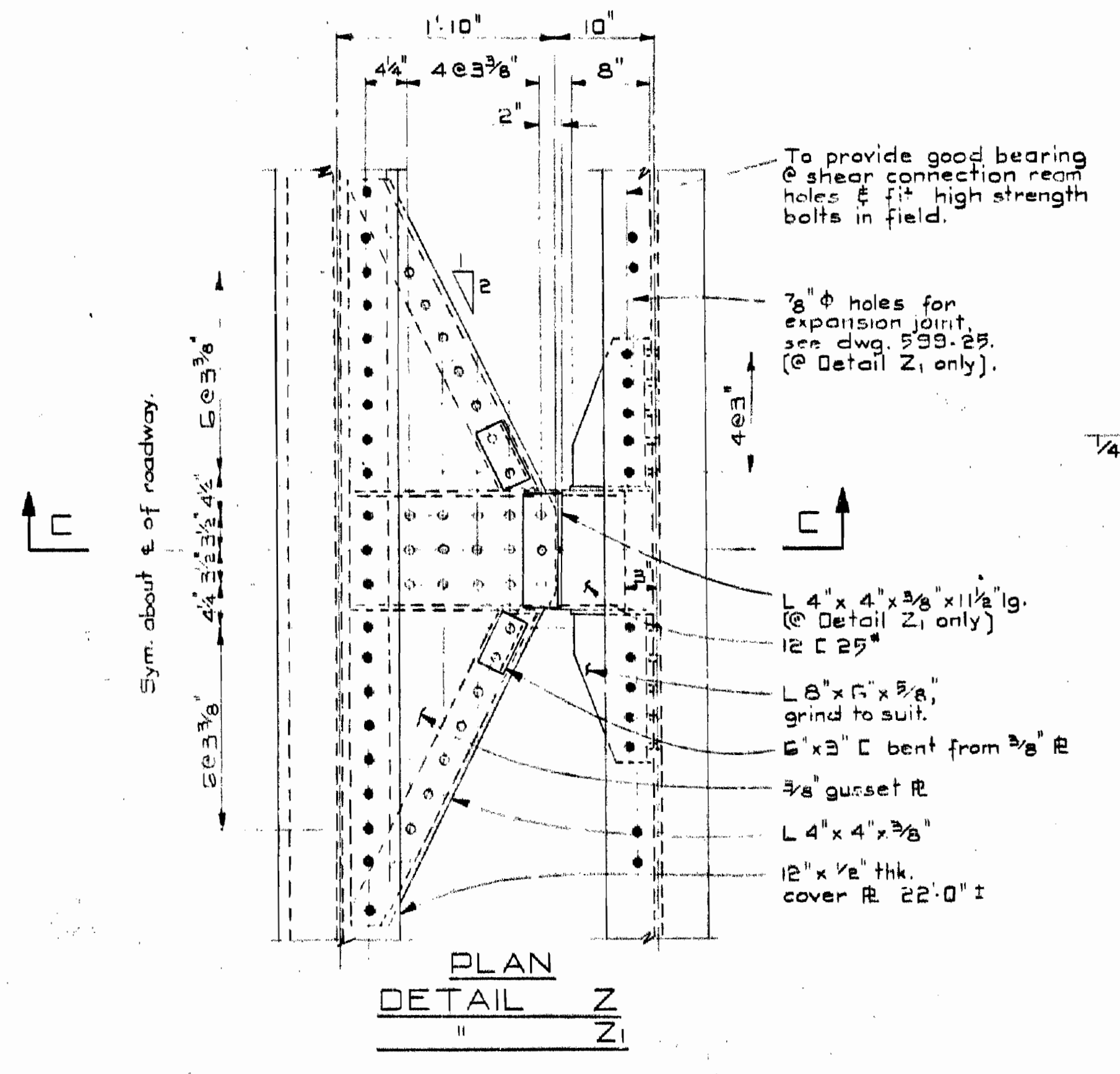


NOTE
Inaccessible area between hangers shall be painted with two coats of Galvalum prior to erection.



NOTES
For general notes see dwg 599-27.

NO.	DATE	REVISION
1	Sept 04	For as built connections see Structural Steel Shop dwgs.



GOV'T. OF THE PROV. OF BRITISH COLUMBIA DEPT. OF HIGHWAYS		
CASTLEGAR - NELSON HIGHWAY SHOREACRES BRIDGE OVER SLOCAN RIVER		
STRUCTURAL STEEL SHEET # 4		
CHOURLOS WOODBURN, HOOLEY & MCKENZIE LTD. CONSULTING ENGINEERS 1150 West Broadway, Vancouver 9 B.C.		
Dr. RA	Date	Scale
24/7/28	June 8, 30	DWG. 599-20X

GENERAL ARRANGEMENT APPROVED
W.C. McKenzie
CHIEF ENGINEER, DEPT. OF HIGHWAYS