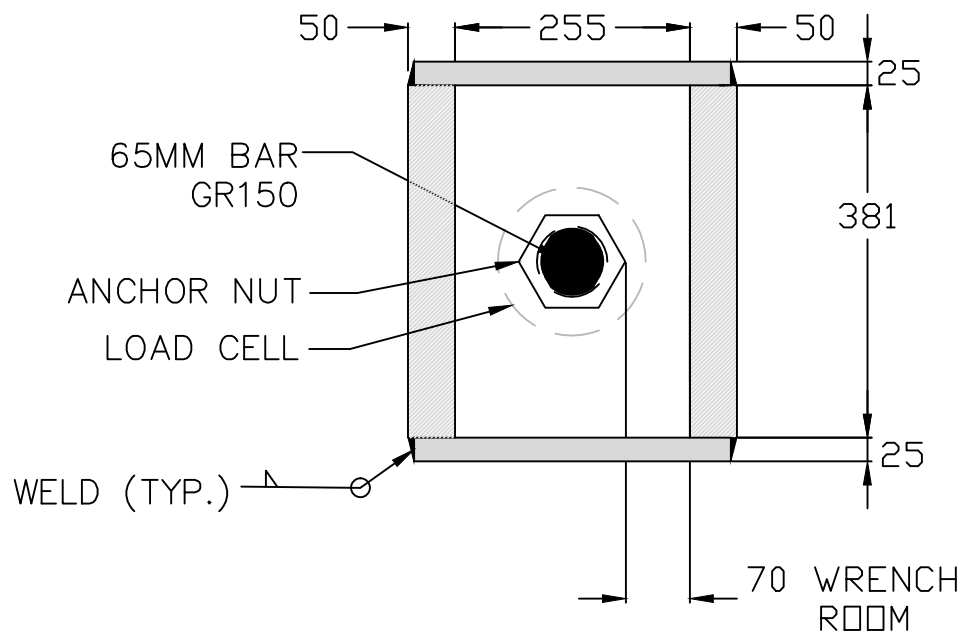


**SIDE VIEW  
CHAIR DETAIL**



**A-A SECTION**



STRUCTURAL REVIEW ONLY  
**ALL-SPAN**  
ENGINEERING & CONSTRUCTION LTD.

#201 - 7198 VANTAGE WAY  
DELTA, B.C. V4G 1K7  
E-mail: all-span@telus.net

PH: (604) 940-2212 FAX: (604) 940-1516  
PROJECT NO. C17-211

**NOTES:**

- ALL DIMENSIONS MILLIMETERS
- STEEL GRADE FOR PLATES AND PIPE CSA G40.21-350W
- ALL WELDING AS PER CSA W59 ELECTRODES E-490-XX



**Con-Tech Systems Ltd.**  
Pioneering Geo-Support Solutions

8150 River Road  
Delta, BC  
Canada V4G 1B5  
www.contechsystems.com  
Tel. 604.946.5571  
Fax. 604.946.5548

**DETAIL FOR 3000kN STRESSING CHAIR**

|           |        |            |                  |
|-----------|--------|------------|------------------|
| PART NO:  | 3 OF 3 | REV. DATE: | REV 5 12/22/2017 |
| DRAWN BY: | IG     | SCALE:     | 1" - 1'-00"      |