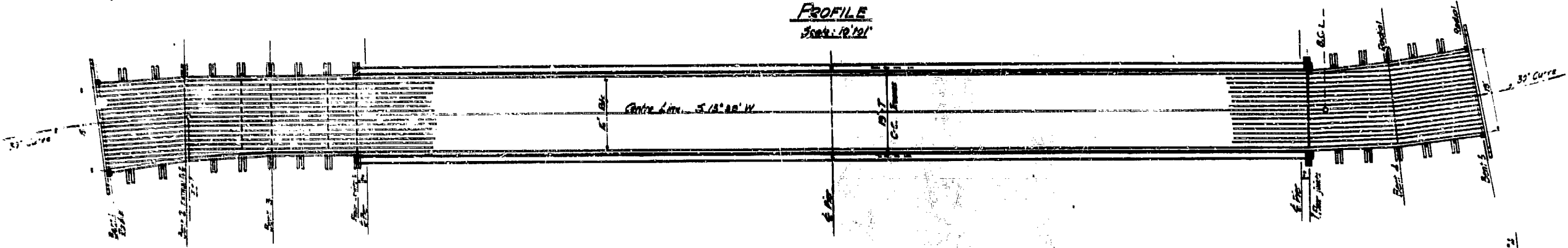
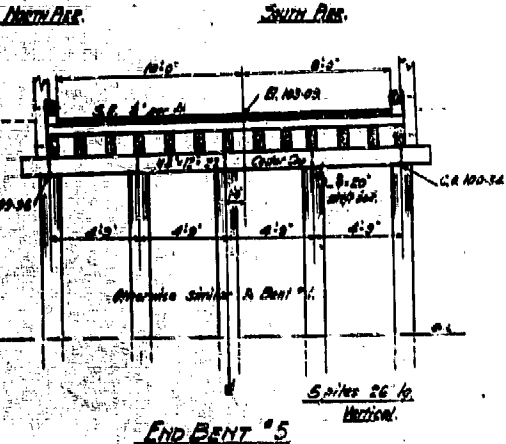
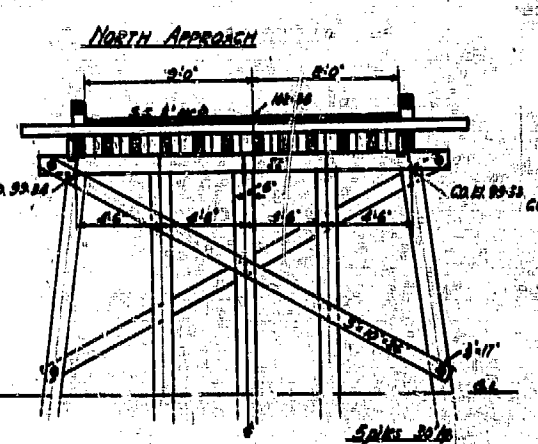
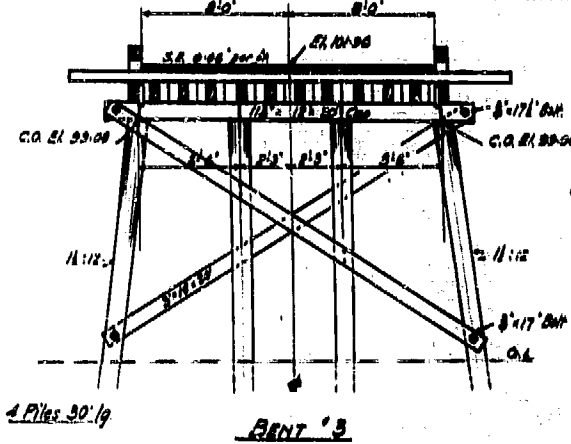
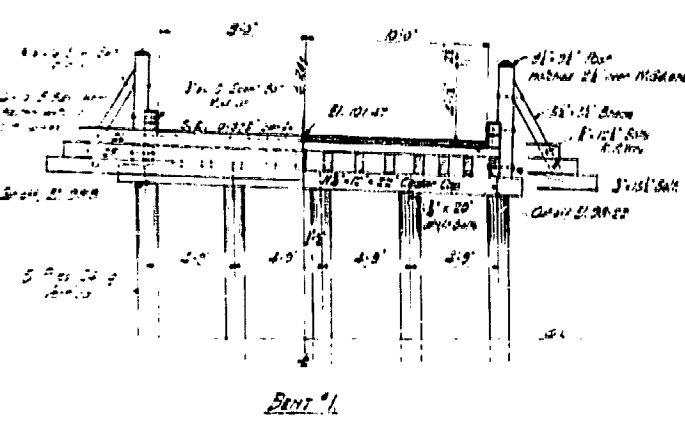
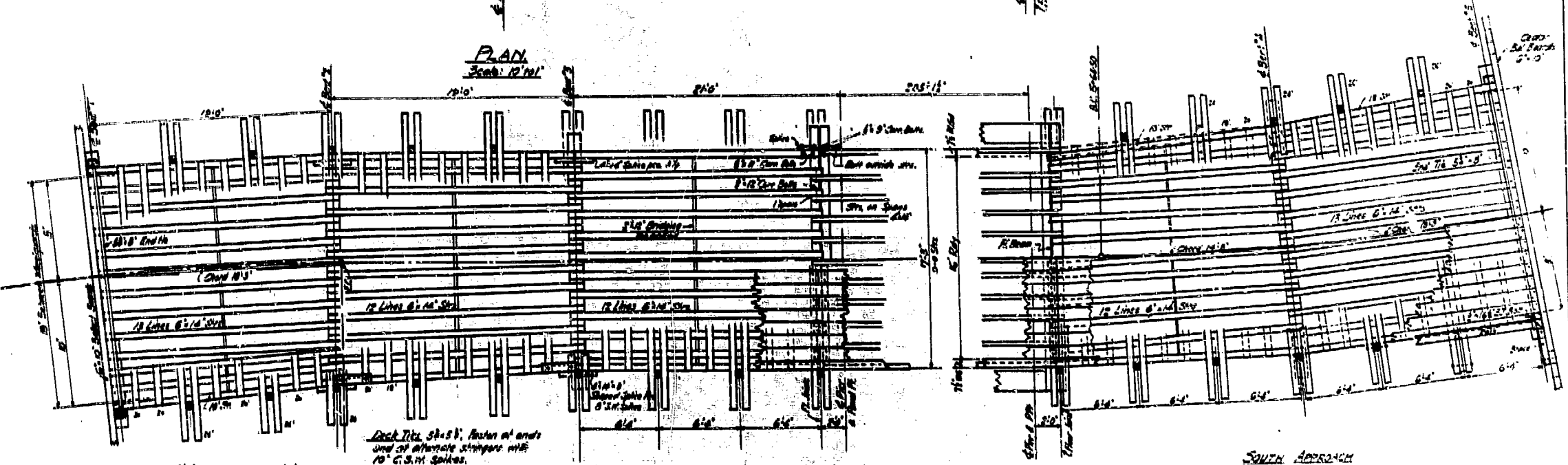
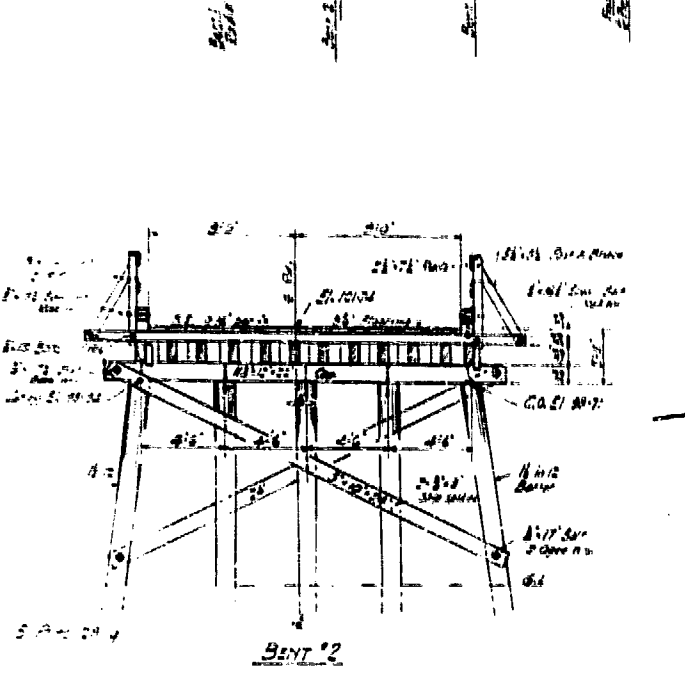


PROFILE
Scale: 1/2" = 1'



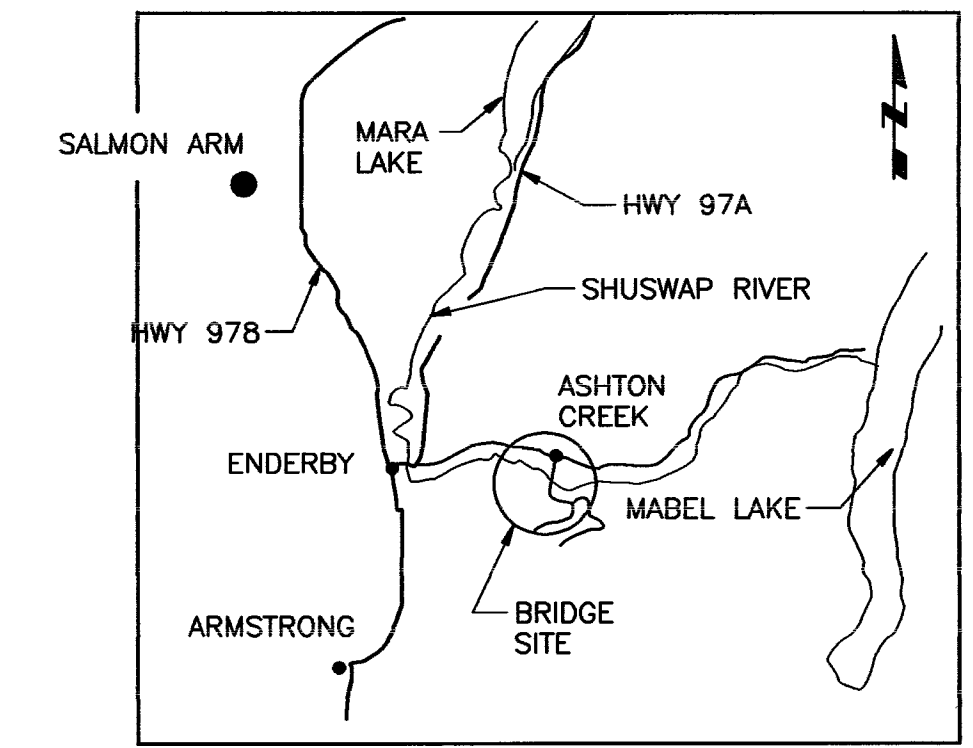
PLAN
Scale: 1/2" = 1'



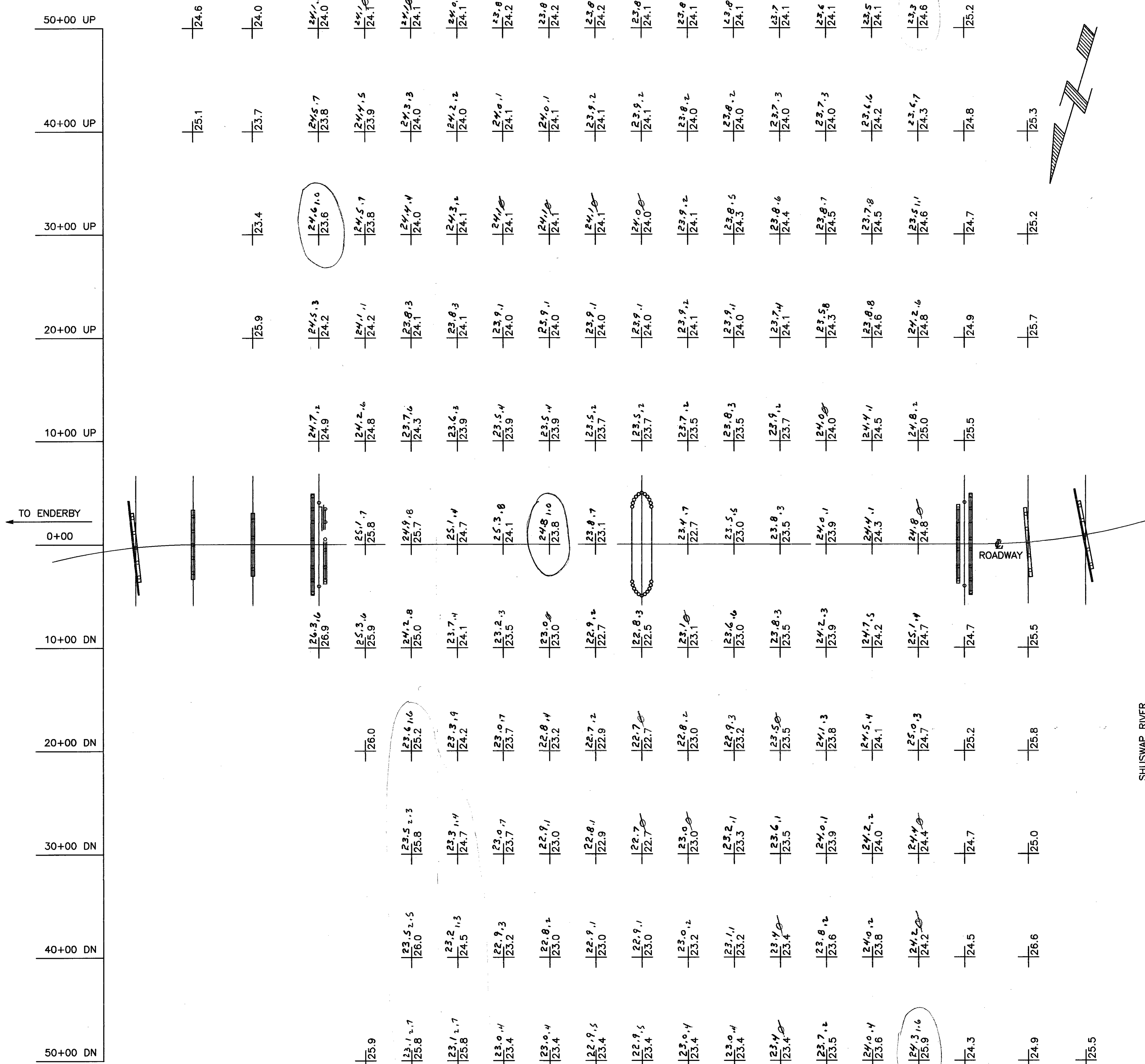
NORTH OKANAGAN DIST.
BAXTER BRIDGE.
 OVER SHUSWAP RIVER.
LAYOUT & TRESTLE DETAILS
 Scale as noted

| | |
|---|-------------|
| GOVT. OF BRITISH COLUMBIA DEPT. OF PUBLIC WORKS VICTORIA. | |
| Made by <i>W.E. GIBSON</i> | Drawing No. |
| Checked by <i>W.E. GIBSON</i> | No. 533-7 |
| Chief Engineer | |

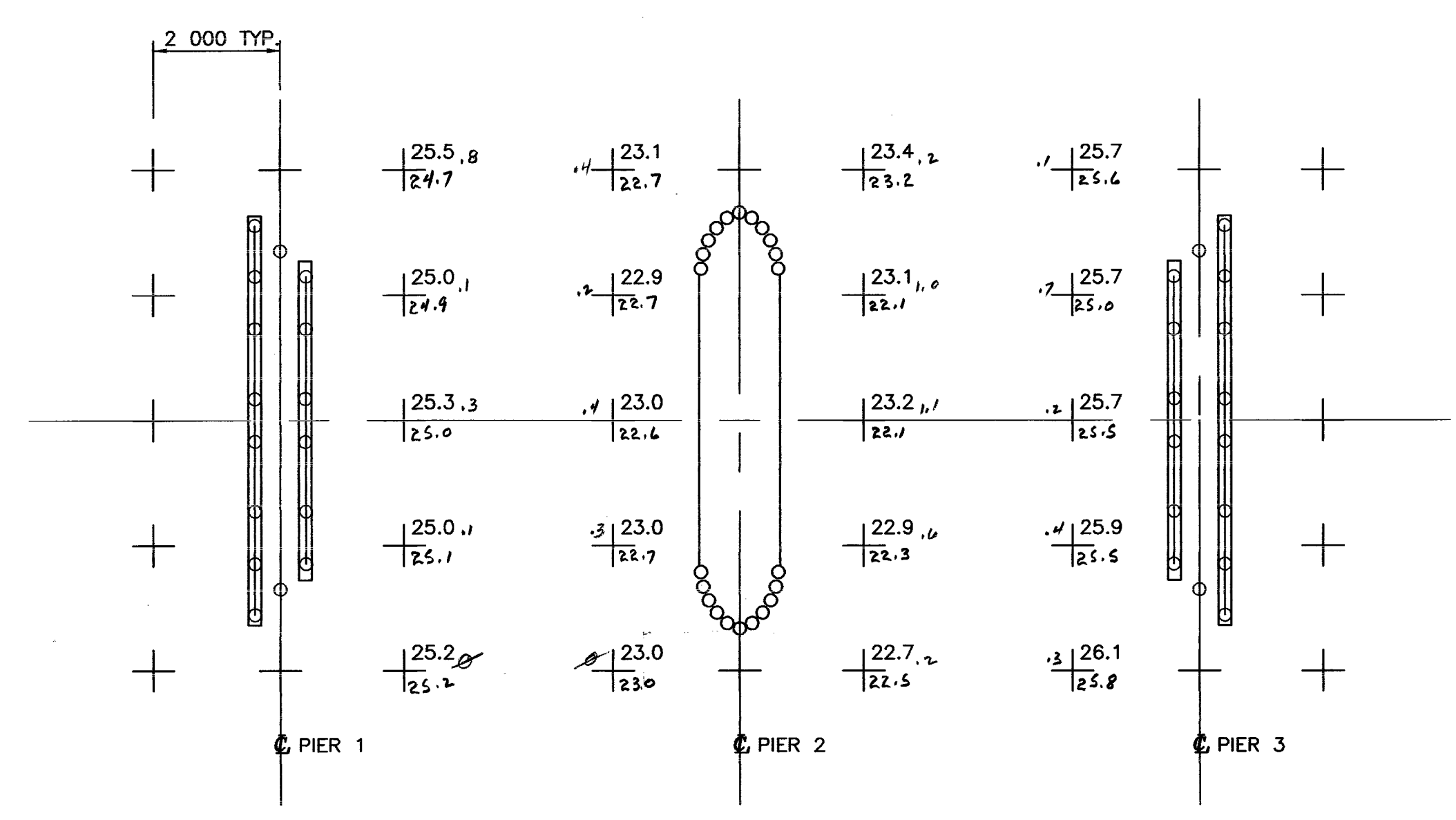
Note: Elevations at & Bents may be revised to suit vertical curves chosen.



KEY MAP
N.T.S.



PLAN

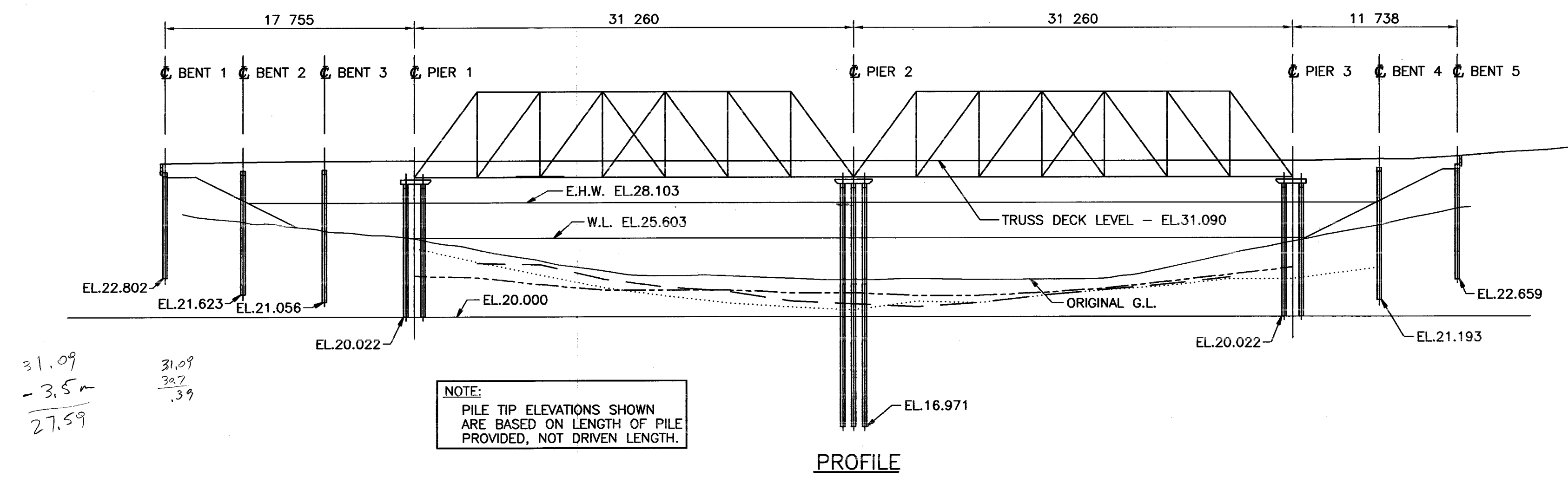


ADDITIONAL SOUNDINGS
SCALE: 1 : 125

NOTES:

1. ALL SOUNDINGS ARE IN METRES ABOVE EL. 0.000
2. SOUNDING BENCH MARK
3. ADDITIONAL SOUNDINGS ARE AT ABOUT 3 000 EXCEPT AS NOTED.

| DATE | WATER LEVEL ELEVATION | SURVEY BY |
|------------|-----------------------|-----------|
| June 13/99 | 27.6 | Alpha |
| | | |
| | | |



PROFILE

NOTE:
PILE TIP ELEVATIONS SHOWN
ARE BASED ON LENGTH OF PILE
PROVIDED, NOT DRIVEN LENGTH.

31.09
-3.5
27.59

31.09
30.7
3.39

SCALE 1 : 500 AND NOTED

| Rev | Date | Description | Int |
|-----|------|-------------|-----|
| | | | |
| | | | |
| | | | |

Province of British Columbia
MINISTRY OF TRANSPORTATION AND HIGHWAYS
BRIDGE ENGINEERING BRANCH 623

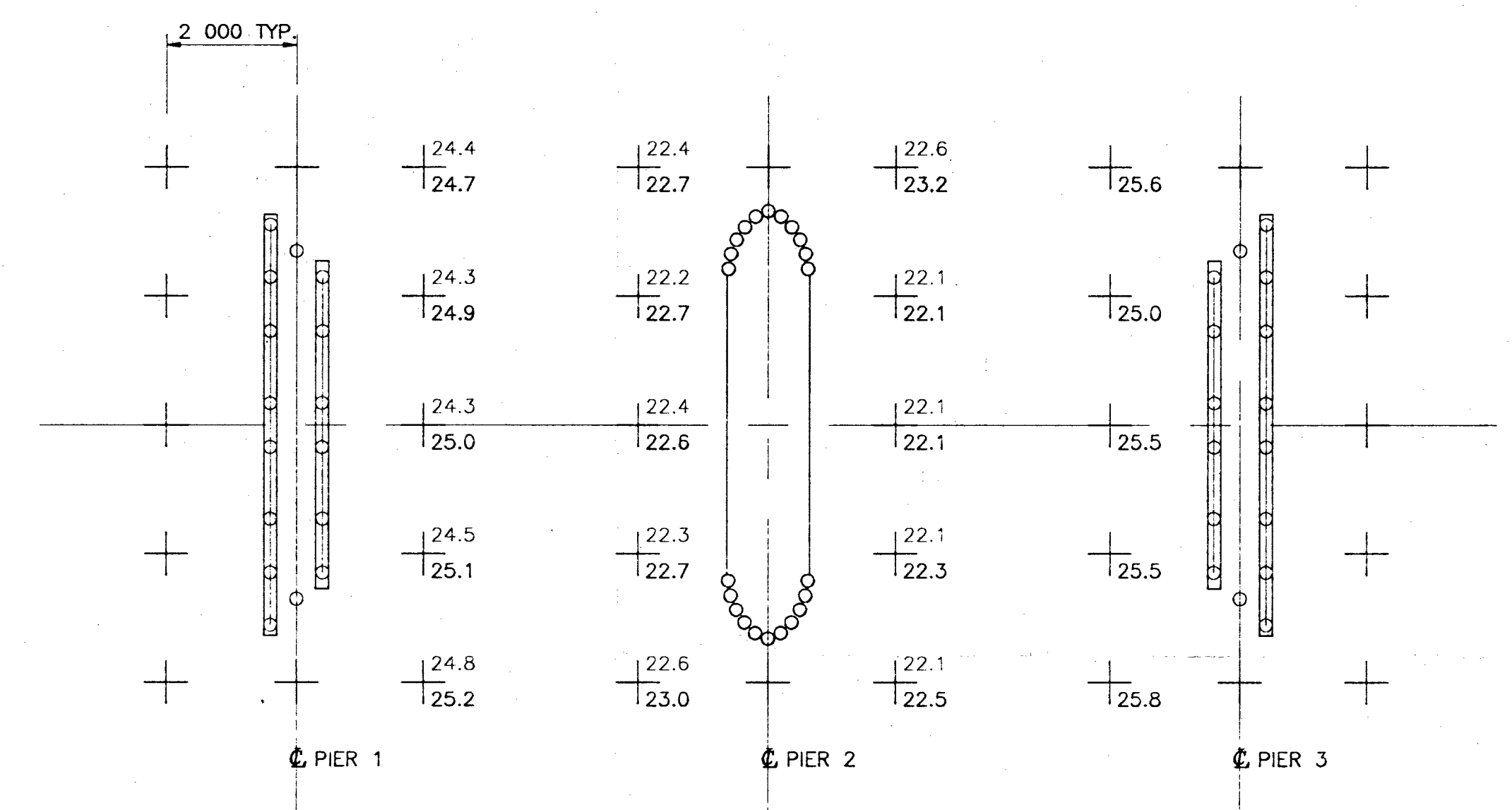
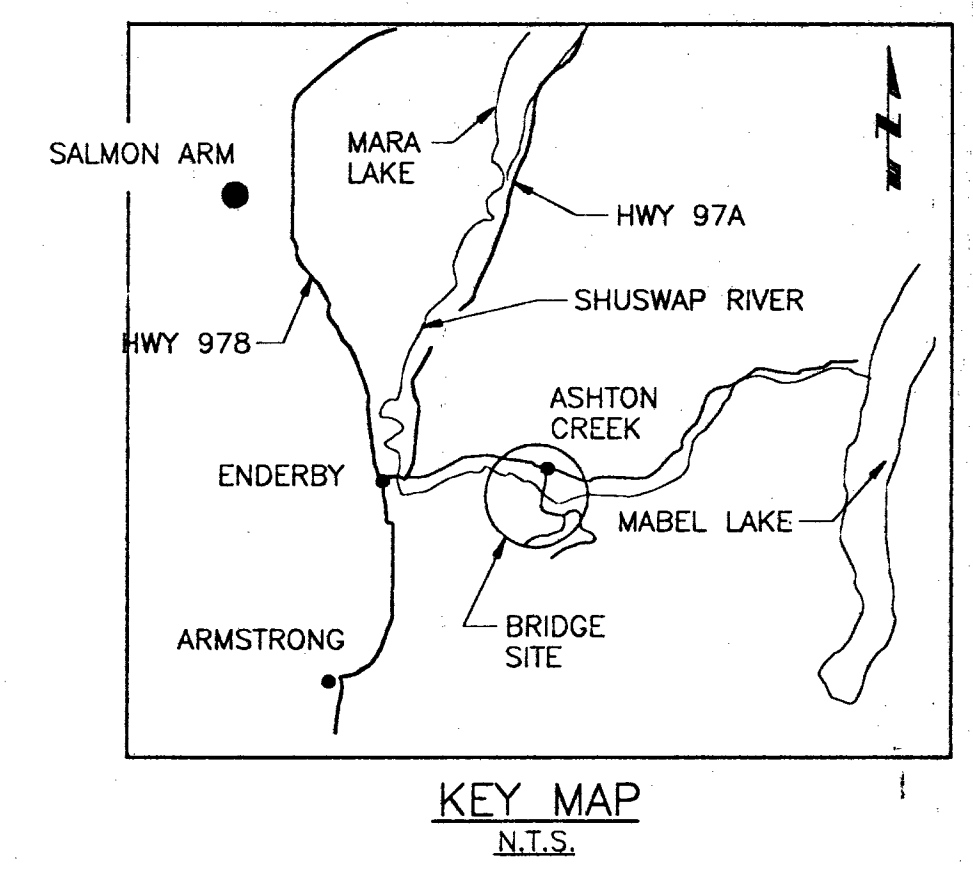
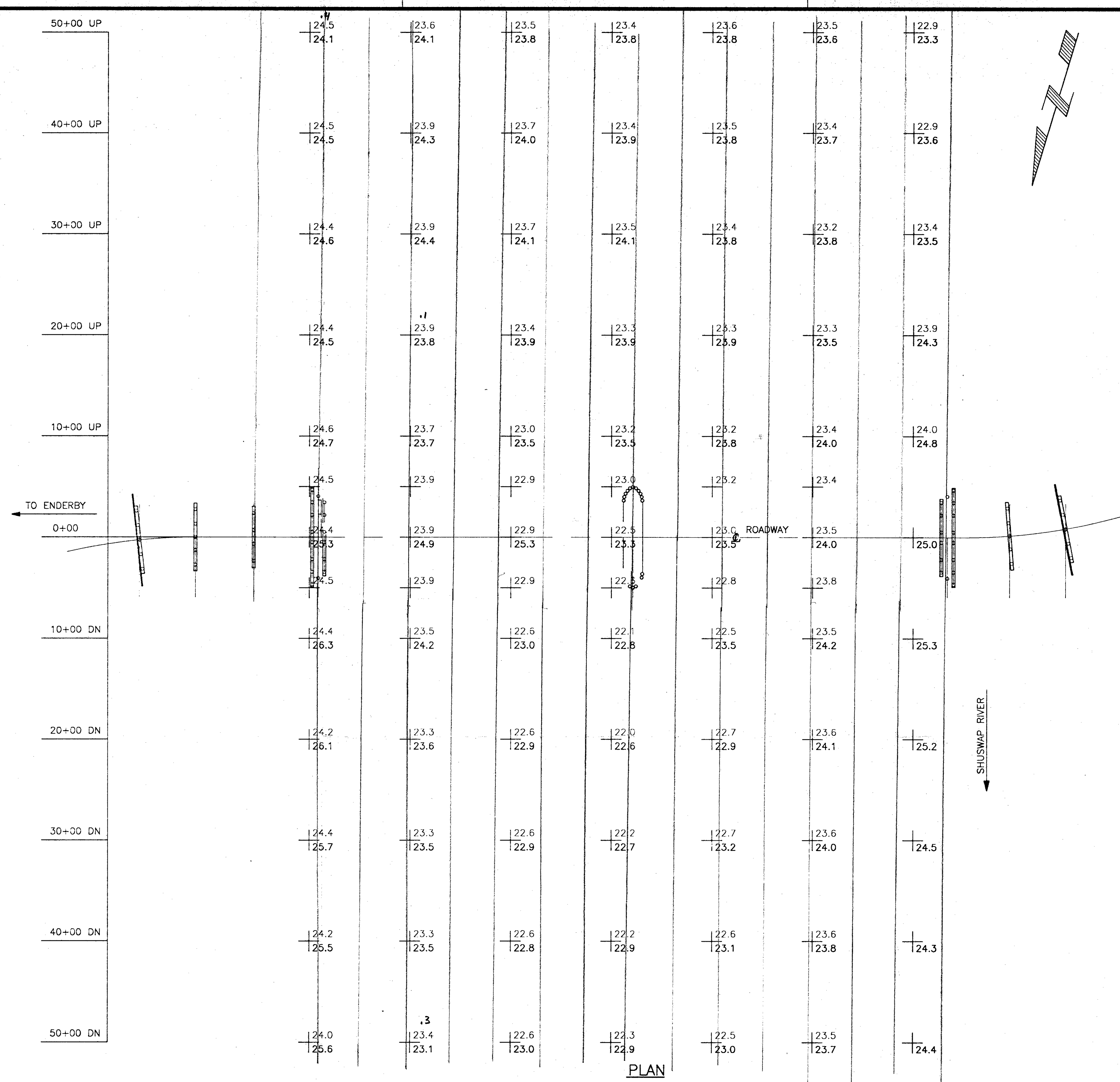
REGION 2, DISTRICT 13
TRINITY VALLEY ROAD #130
BAXTER BRIDGE
SOUNDING DRAWING

| | | |
|-------------------------------------|--------------------------------------|---------------------------------|
| DESIGNED _____ DATE _____ | CHECKED _____ DATE _____ | DRAWN _____ DATE _____ |
| PREPARED BY _____ | RECOMMENDED _____ | ACCEPTED FOR CONSTRUCTION _____ |
| BRIDGE REHAB./MAINT. ENGINEER _____ | DIRECTOR OF BRIDGE ENGINEERING _____ | CHIEF HIGHWAY ENGINEER _____ |
| DATE _____ | DATE _____ | DATE _____ |
| FILE No. _____ | NEGATIVE No. 391654 | REG. DRAWING No. 539SD1 |

REVISIONS

CANCEL PRINTS BEARING PREVIOUS LETTER

H-308(02-90)



ADDITIONAL SOUNDINGS
SCALE: 1 : 125

Aug. 21/95 10 m DOWNSTREAM
 Jun. /97 CENTERLINE ROADWAY
 10m UPSTREAM

NOTES:

1. ALL SOUNDINGS ARE IN METRES ABOVE EL. 0.000
2. SOUNDING BENCH MARK
3. ADDITIONAL SOUNDINGS ARE AT ABOUT 3 000 EXCEPT AS NOTED.

| DATE | WATER LEVEL ELEVATION | SURVEY BY |
|------------|-----------------------|-----------|
| Aug. 21/95 | 25.6 m | Alpha |
| Jun. 15/97 | 27.8 m | Alpha |
| | | |
| | | |

REC'D. AUG. 22/97

Province of British Columbia
 MINISTRY OF TRANSPORTATION AND HIGHWAYS
 BRIDGE ENGINEERING BRANCH 624

REGION 2, DISTRICT 13
 TRINITY VALLEY ROAD #130
BAXTER BRIDGE
SOUNDING DRAWING

PREPARED BY: _____ RECOMMENDED: _____ ACCEPTED FOR CONSTRUCTION: _____

BRIDGE REHAB./MAINT. ENGINEER: _____ DIRECTOR OF BRIDGE ENGINEERING: _____ CHIEF HIGHWAY ENGINEER: _____

DATE: _____ DATE: _____ DATE: _____

FILE No. _____ NEGATIVE No. _____ REG. _____ DRAWING No. **539SD1**

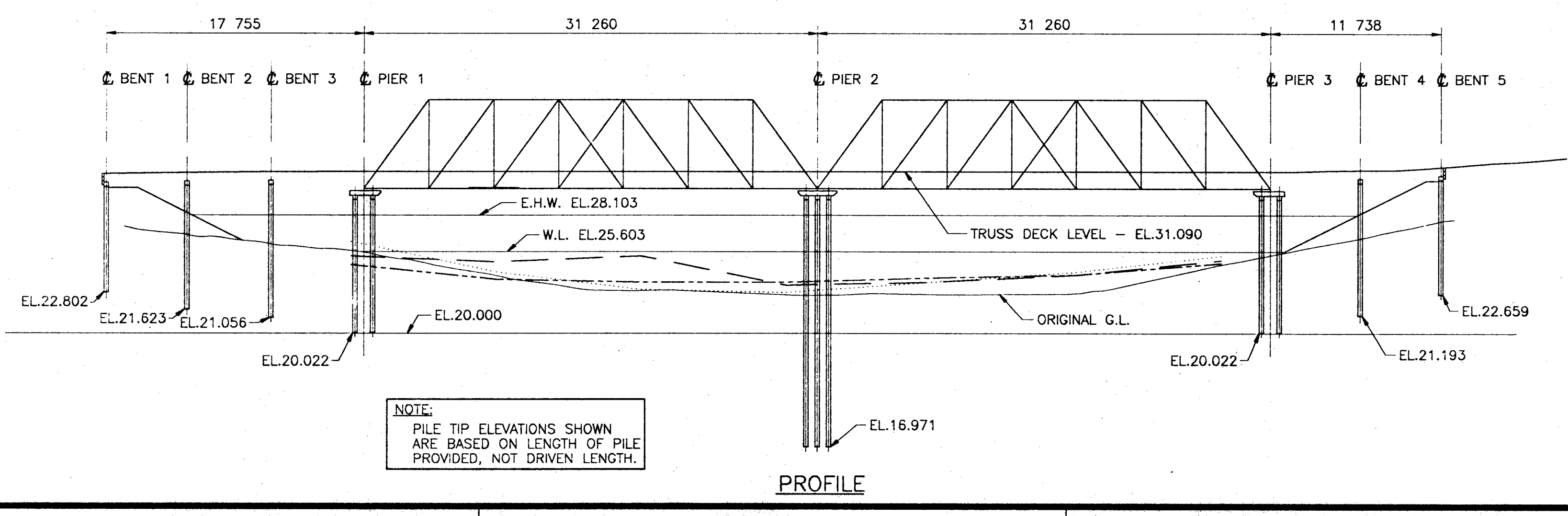
39/655

SCALE 1 : 500 AND NOTED

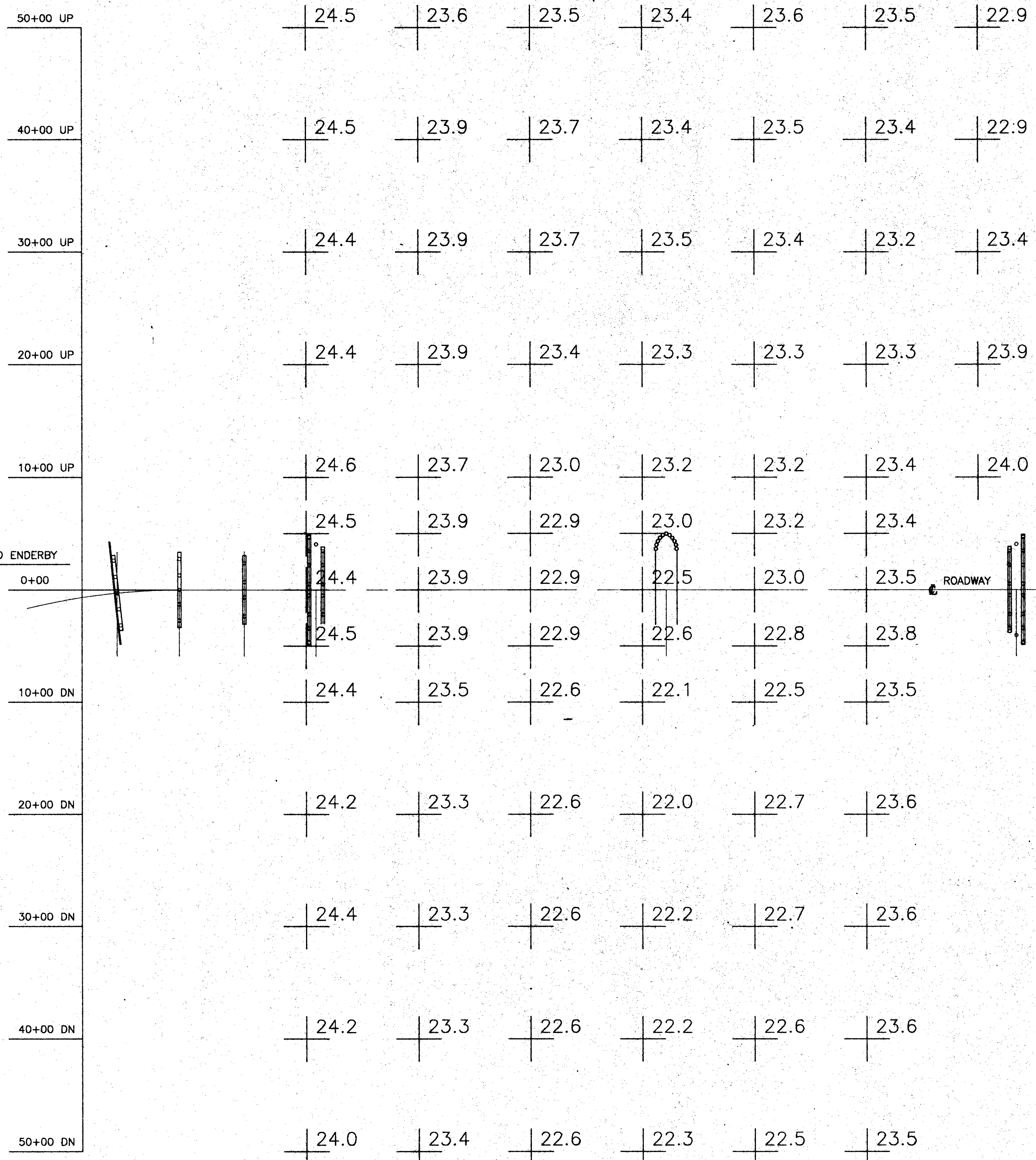
| Rev | Date | Description | Init |
|-----|------|-------------|------|
| | | | |
| | | | |
| | | | |
| | | | |

DESIGNED: _____ DATE: _____
 CHECKED: _____ DATE: _____
 DRAWN: _____ DATE: _____

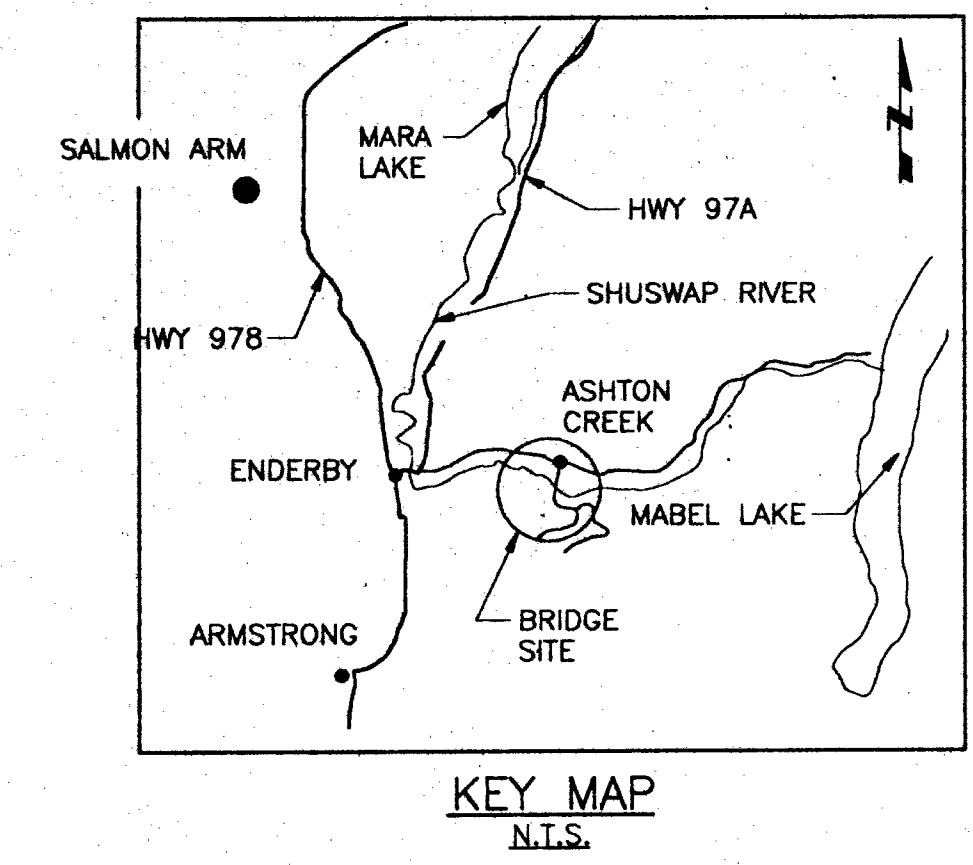
REVISIONS



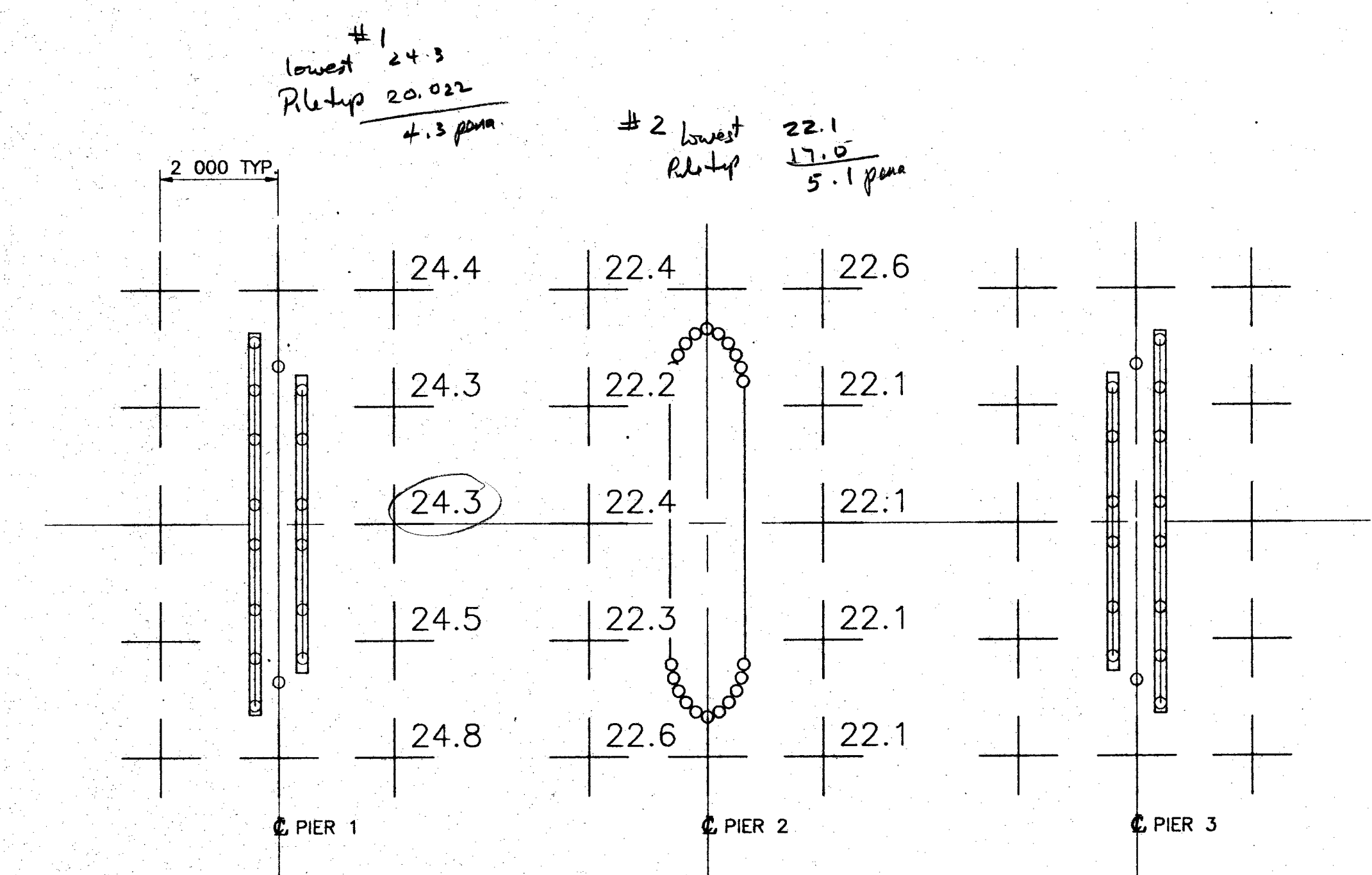
NOTE:
 PILE TIP ELEVATIONS SHOWN
 ARE BASED ON LENGTH OF PILE
 PROVIDED, NOT DRIVEN LENGTH.



PLAN



KEY MAP
N.T.S.



ADDITIONAL SOUNDINGS
SCALE: 1 : 125

FIRST SURVEY SINCE 1972
NO APPRECIABLE SCOUR.

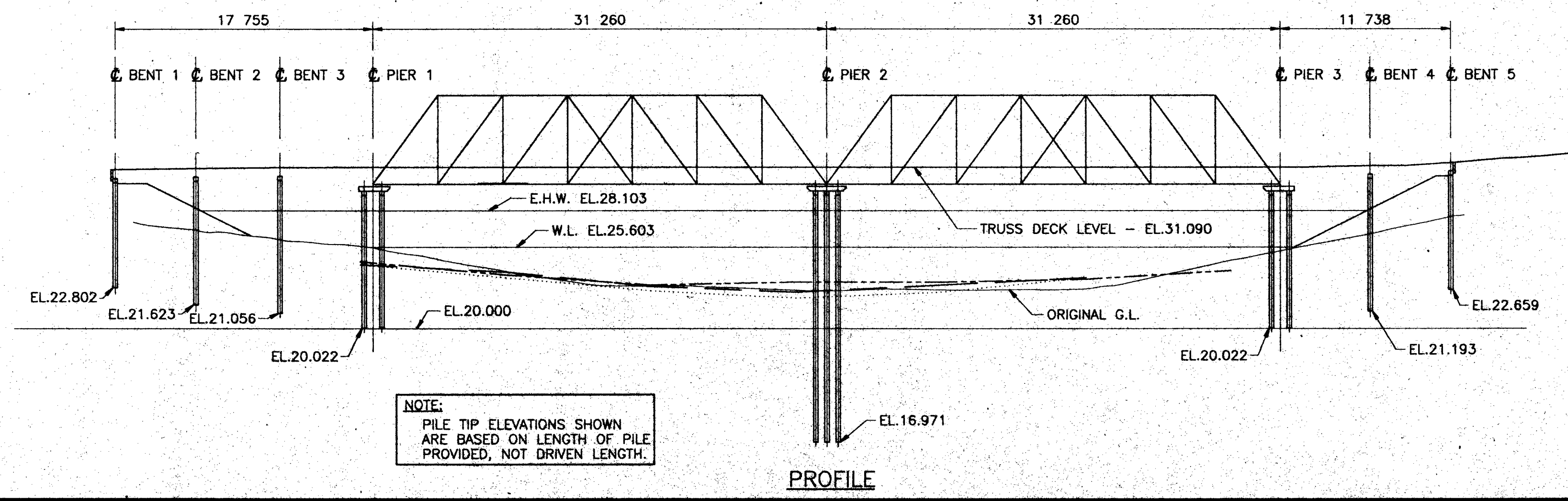
Aug. 21/95
10 m DOWNSTREAM
CENTERLINE ROADWAY
10m UPSTREAM

NOTES:

- ALL SOUNDINGS ARE IN METRES ABOVE EL. 20.000
- SOUNDING BENCH MARK
- ADDITIONAL SOUNDINGS ARE AT ABOUT 3 000 EXCEPT AS NOTED.
distance DOWN LINE - FROM WHERE.

| DATE | WATER LEVEL ELEVATION | SURVEY BY |
|------------|-----------------------|-----------|
| Aug. 21/95 | 25.6 m | Alpha |
| | | |
| | | |

AUG 95-1



NOTE:
PILE TIP ELEVATIONS SHOWN
ARE BASED ON LENGTH OF PILE
PROVIDED, NOT DRIVEN LENGTH.

PROFILE

SCALE 1 : 250 AND NOTED

| Rev | Date | Description | Init |
|-----|------|-------------|------|
| | | | |
| | | | |
| | | | |
| | | | |

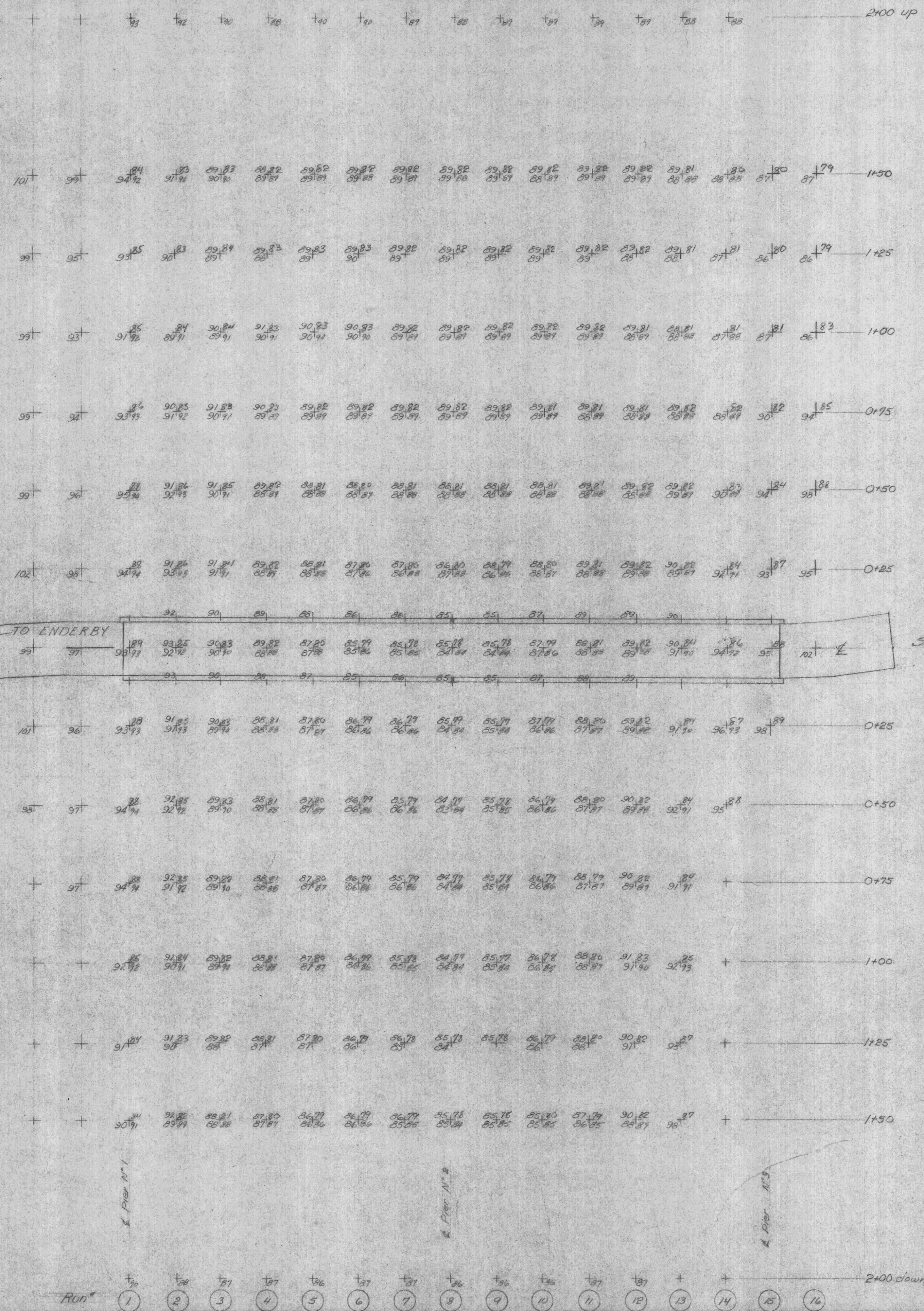
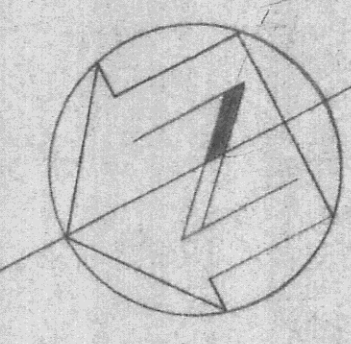
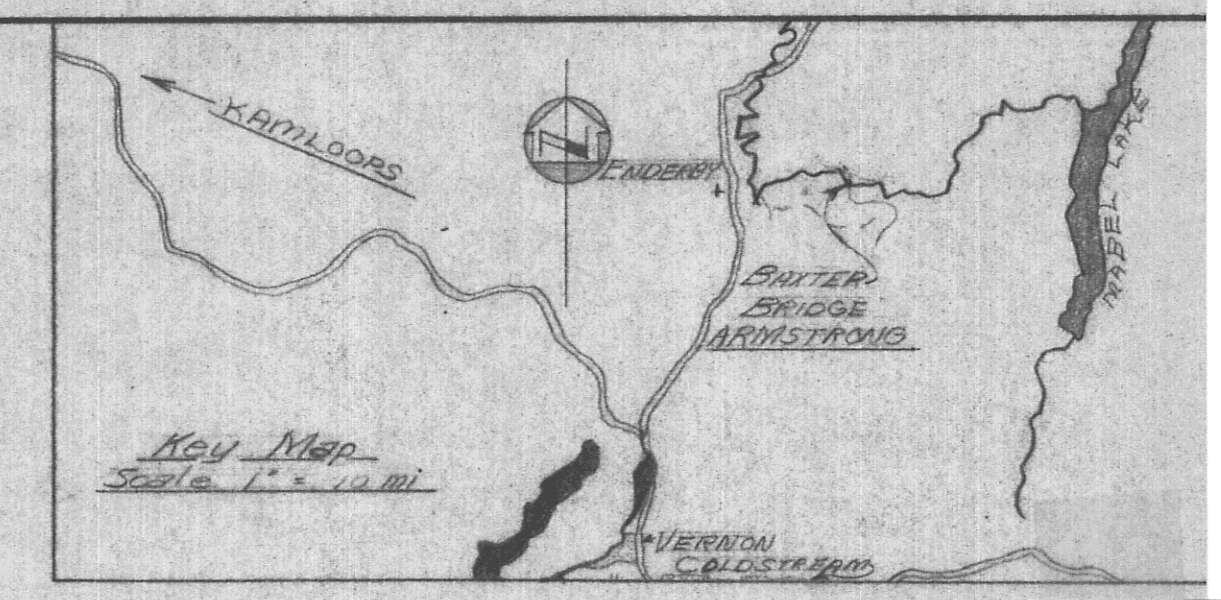
Province of British Columbia
MINISTRY OF TRANSPORTATION AND HIGHWAYS
BRIDGE ENGINEERING BRANCH 625

REGION 2, DISTRICT 13
TRINITY VALLEY ROAD #130
**BAXTER BRIDGE
SOUNDING DRAWING**

DESIGNED: _____ DATE: _____
CHECKED: _____ DATE: _____
DRAWN: _____ DATE: _____

PREPARED BY: *lb*
DATE: 16 Oct 95

REG. NO. 391656
DRAWING NO. 539SD1



1.753

LEGEND

Aug. 1972 | JUNE 72
JUNE 72 | JULY 70

NOTE:
1. All elevations are referred to upstream nose of center pier. Elev. - 107.1'
2. All run numbers are circled.

AUG72-1

BRITISH COLUMBIA DEPARTMENT OF HIGHWAYS
DOCK DESIGN 626

BAXTER BRIDGE
REGION 2
SOUNDING PLAN AUG72
Aug 72

| | |
|--|--|
| APPROVED <i>[Signature]</i> DOCK DESIGN ENGINEER | SCALE: 1" = 20' |
| APPROVED 391657 SENIOR DESIGN ENGINEER | DRAWN M.C. 7/70 CHECKED <i>[Signature]</i> |
| REVISIONS | DRAWING No. 2-S-38-1 |

| | |
|---|---------------------------------|
| D | |
| C | |
| B | Soundings - Aug. 1972 D.M. 9/72 |
| A | Soundings - June 1972 D.M. 8/72 |

