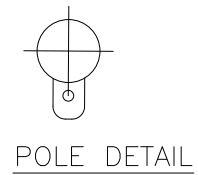


ELECTRICAL LEGEND:

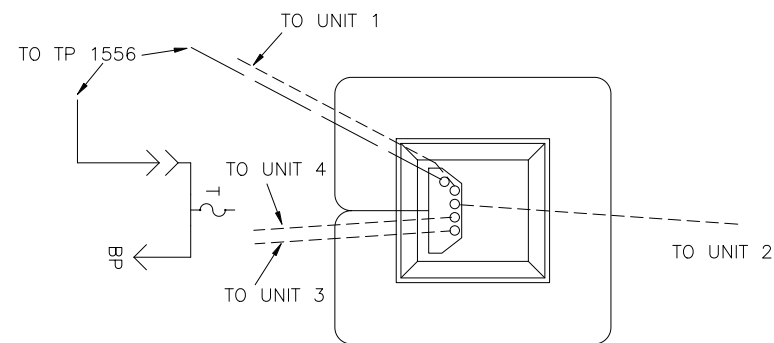
- 120/240 V SERVICE CABLE
- 1C #1AL 25KV CONCENTRIC NEUTRAL PRIMARY CABLE (1')

NOTES:

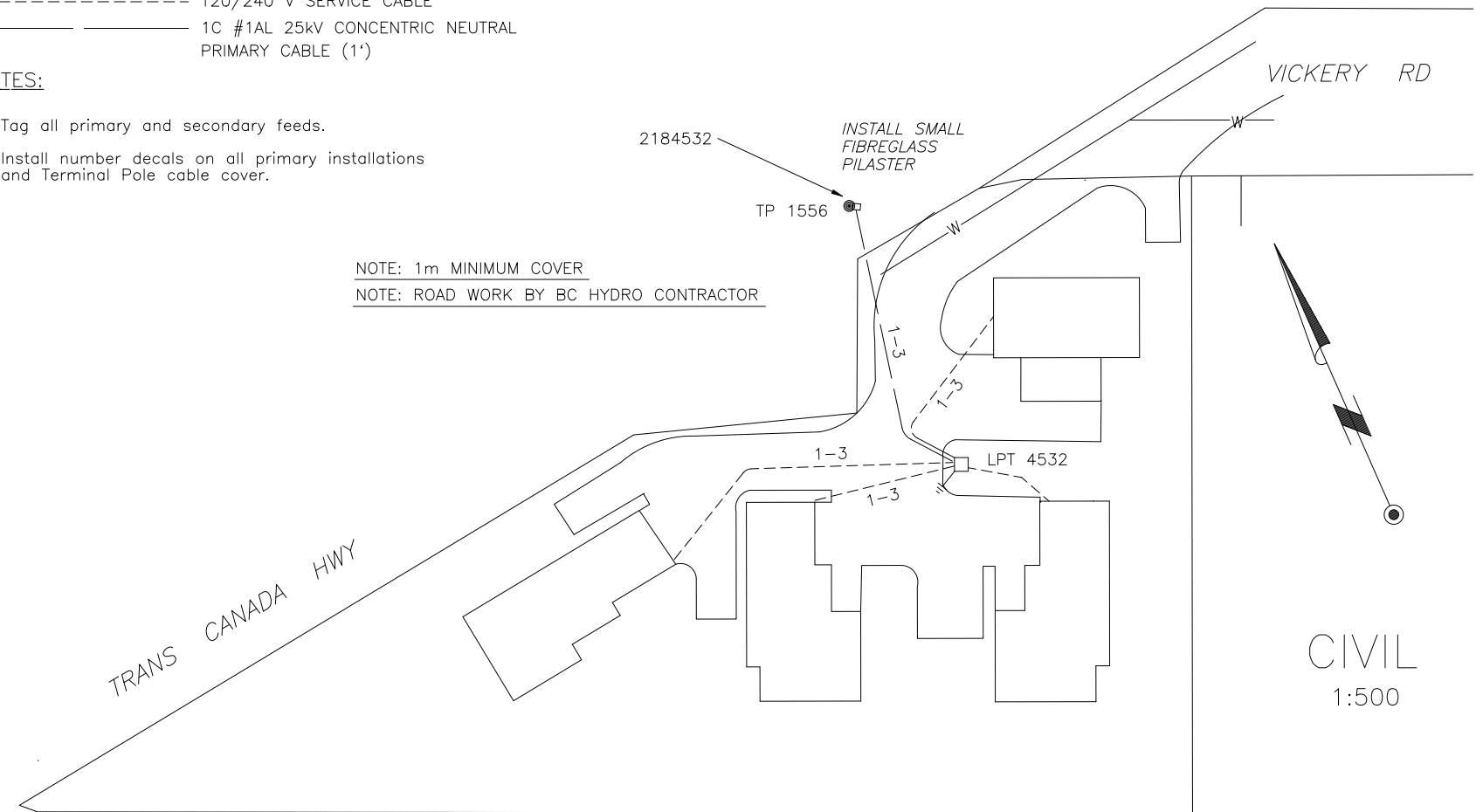
1. Tag all primary and secondary feeds.
2. Install number decals on all primary installations and Terminal Pole cable cover.



ELECTRICAL
1:1000



NOTE: 1m MINIMUM COVER
NOTE: ROAD WORK BY BC HYDRO CONTRACTOR



CIVIL
1:500

NOTE: 1m MINIMUM COVER
NOTE: ROAD WORK BY BC HYDRO CONTRACTOR

JOB 8370-691141

REFERENCE DRAWINGS	No.	REMARKS	BY	CH.	APPR.	DATE	DR. CH.	DES. CH.	DATE
	3	AS CONSTRUCTED	JL			98/03/13	DES.	ACI	94/12/09
	2	REDESIGN-ADDED LPT 4532	JL		RCA	97/10/28	DES. CH.		
	1	CHG'D M/S SIZE AND SERVICE CONDUCTOR	JL			96/09/18	DR.	JL	94/12/14

APPROVALS

ACI	DATE
	96/04/16
RCA	DATE
	97/10/28

AutoCAD: B3875.DWG

SCALE: AS NOTED

V.I. REGIONAL ENGINEERING
DISTRIBUTION U/G
DUCT INSTALLATION AND WIRING DETAILS TO STRATA SUBDIVISION ON VICKERY RD VIEW ROYAL

SHT. 1 OF 1 REV. 3 DWG. No. R500-U07-B3875